

# DATA SHEET

## **TDA8574**

**Class-H high-output voltage level  
line driver**

Product specification  
Supersedes data of 1997 Feb 26  
File under Integrated Circuits, IC01

1998 Oct 16

## Class-H high-output voltage level line driver

## TDA8574

### FEATURES

- Output voltage swing larger than supply voltage
- High supply voltage ripple rejection
- Low distortion
- Low noise
- ESD protected on all pins.

### GENERAL DESCRIPTION

The TDA8574(T) is a two channel class-H high-output voltage line driver for use in car audio applications. The line driver behaves as a non-inverting amplifier with a gain of 8 dB and a single-ended output. Due to the class-H voltage lifting principle the voltage swing over the load is more than the supply voltage. With a supply voltage of 9 V the output voltage swing over the load will be 14 V (peak-to-peak).

The TDA8574 is available in a DIP16 package and the TDA8574T in a SO16 package.

Line drivers are necessary in car audio systems in which the power amplifiers are driven by long cables.

The signal-to-noise ratio of these car audio systems is improved by using the TDA8574(T) class-H high-output level line driver. The high-output level of TDA8574(T) enables a reduction of the gain of the power amplifier resulting in an improvement of the power amplifier performance.

### QUICK REFERENCE DATA

SYMBOL	PARAMETER	CONDITIONS	MIN.	TYP.	MAX.	UNIT
$V_{CC}$	supply voltage		6	9	12	V
$I_{CC}$	supply current	$V_{CC} = 9\text{ V}$	–	8	13	mA
$G_v$	voltage gain		7.5	8	8.5	dB
$V_{o(rms)}$	maximal output voltage (RMS value)	THD = 0.1%	5.0	5.2	–	V
SVRR	supply voltage ripple rejection		50	65	–	dB
THD	total harmonic distortion	$V_{o(rms)} = 3\text{ V}; f = 1\text{ kHz}$	–	0.003	–	%
$V_{no}$	noise output voltage		–	5	–	$\mu\text{V}$
$ Z_o $	output impedance		–	–	10	$\Omega$

### ORDERING INFORMATION

TYPE NUMBER	PACKAGE		
	NAME	DESCRIPTION	VERSION
TDA8574T	SO16	plastic small outline package; 16 leads; body width 7.5 mm	SOT162-1
TDA8574	DIP16	plastic dual in-line package; 16 leads (300 mil)	SOT38-4

# Class-H high-output voltage level line driver

TDA8574

## BLOCK DIAGRAM

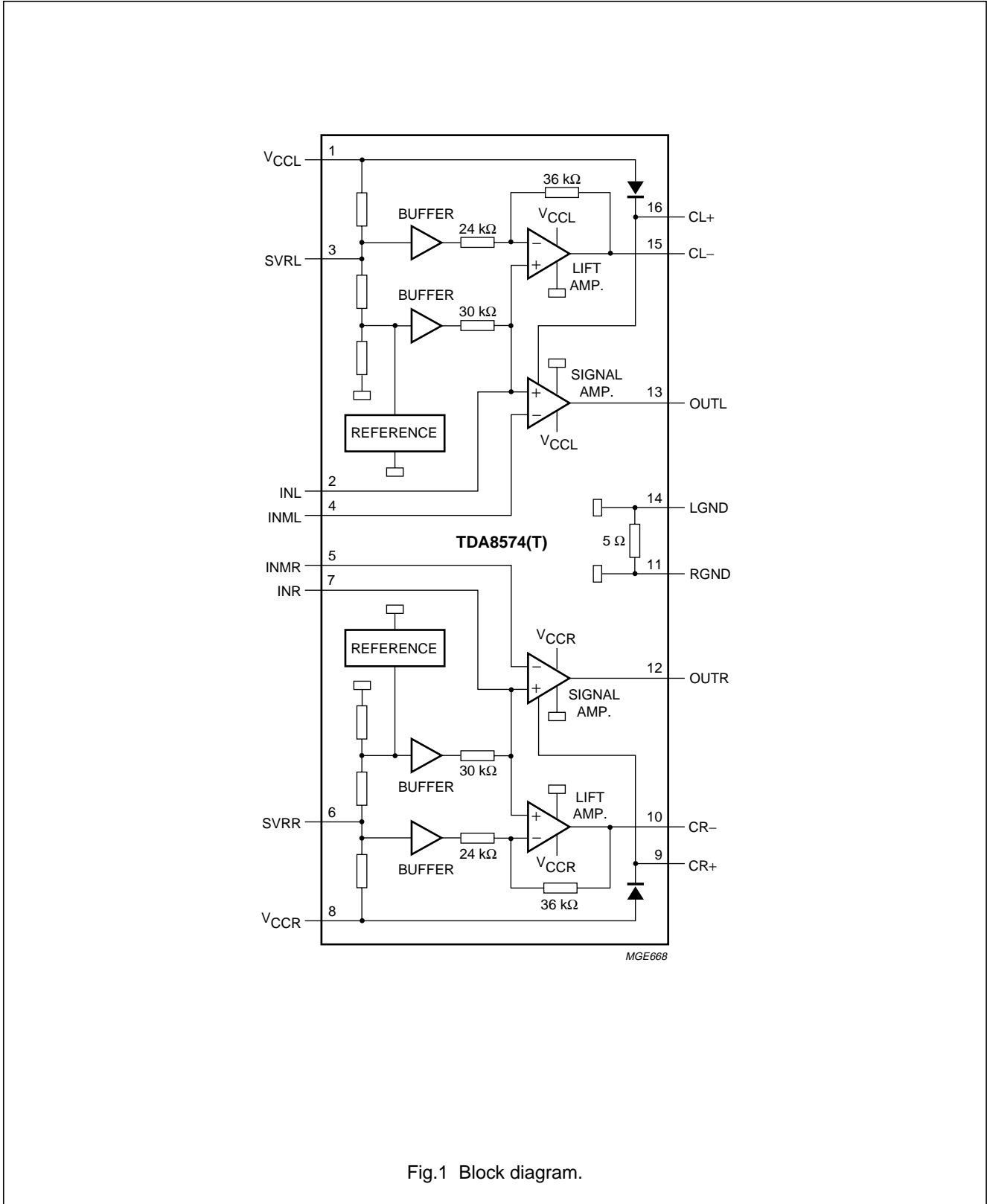


Fig.1 Block diagram.

# Class-H high-output voltage level line driver

TDA8574

## PINNING

SYMBOL	PIN	DESCRIPTION
V <sub>CCL</sub>	1	supply voltage left channel
INL	2	input voltage left channel
SVRL	3	SVRR left channel
INML	4	inverting input left channel
INMR	5	inverting input right channel
SVRR	6	SVRR right channel
INR	7	input voltage right channel
V <sub>CCR</sub>	8	supply voltage right channel
CR+	9	lift capacitor (+) right channel
CR-	10	lift capacitor (-) right channel
RGND	11	ground right channel
OUTR	12	output voltage right channel
OUTL	13	output voltage left channel
LGND	14	ground left channel
CL-	15	lift capacitor (-) left channel
CL+	16	lift capacitor (+) left channel

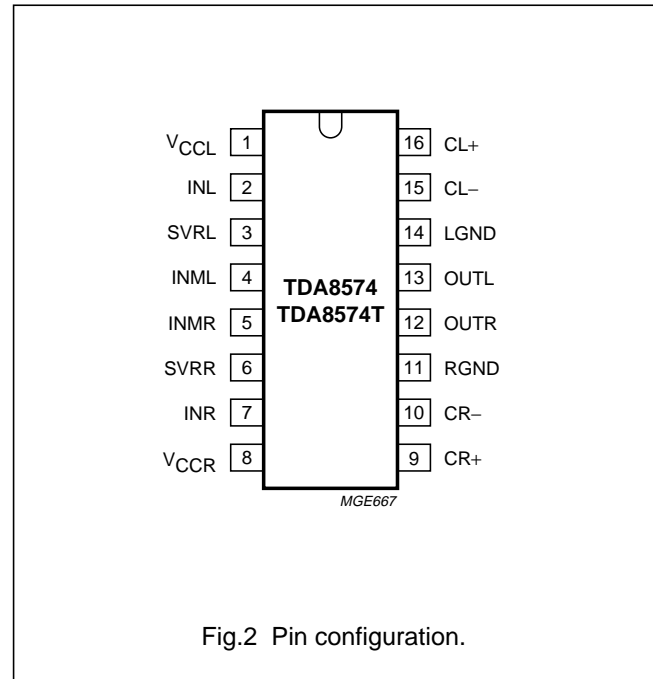


Fig.2 Pin configuration.

## FUNCTIONAL DESCRIPTION

### Lift amplifier

The lift amplifier, referred to as LIFT AMP. in Fig.1, is used as a non-inverting amplifier with a voltage gain of 8 dB set by an internal feedback network. If the output voltage of the signal amplifier is low, the external lift capacitor is recharged by the lift amplifier. As soon as the output voltage of the signal amplifier increases above  $0.87 \times V_{CC}$  the lift amplifier switches the voltage of the lift capacitor in series with the supply voltage  $V_{CC}$ . The voltage at the positive side of the lift capacitor is referred to as lifted supply voltage.

### Signal amplifier

The signal amplifier, referred to as SIGNAL AMP. in Fig.1, is used as a non-inverting amplifier. The voltage gain  $G_v$  is set by the feedback resistors according to the formula:

$$G_v = 1 + \frac{R_2}{R_1}$$

and should be set to 8 dB. The LIFT AMP. and SIG AMP. must have equal voltage gain  $G_v$ . The rail-to-rail output stage of the signal amplifier uses the lifted supply voltage to increase the output voltage swing.

The DC output level is set to  $\approx 0.87 \times V_{CC}$ . The maximum peak-to-peak output voltage of the signal amplifier is calculated with the formula:

$$V_{o(p-p)max} \approx 2 \times (0.87V_{CC} - 0.4)$$

### Buffers

The buffers prevent loading of the internal voltage divider network made by a series connection of resistors. For a good supply voltage ripple rejection this internal voltage divider network has to be decoupled by an external capacitor.

### Reference

This circuit supplies all currents needed in the device.

# Class-H high-output voltage level line driver

TDA8574

## LIMITING VALUES

In accordance with the Absolute Maximum Rating System (IEC 134).

SYMBOL	PARAMETER	CONDITIONS	MIN.	MAX.	UNIT
$V_{CC}$	supply voltage	operating	–	12	V
$I_{ORM}$	repetitive peak output current		–	20	mA
$T_{stg}$	storage temperature		–55	+150	°C
$T_{amb}$	operating ambient temperature		–40	+85	°C
$T_j$	junction temperature		–	+150	°C

## THERMAL CHARACTERISTICS

SYMBOL	PARAMETER	VALUE	UNIT
$R_{th\ j-a}$	thermal resistance from junction to ambient in free air		
	TDA8574 (DIP16)	75	K/W
	TDA8574T (SO16)	110	K/W

# Class-H high-output voltage level line driver

TDA8574

## DC CHARACTERISTICS

$V_{CC} = 9\text{ V}$ ;  $T_{amb} = 25\text{ °C}$ ;  $R_L = 10\text{ k}\Omega$ ; in accordance with application diagram (see Fig.3).

SYMBOL	PARAMETER	CONDITIONS	MIN.	TYP.	MAX.	UNIT
$V_{CC}$	supply voltage	$V_{in} = 0\text{ V}$	6	9	12	V
$I_{CC}$	supply current		–	8	13	mA
$V_O$	DC output voltage	note 1	–	7.8	–	V

### Note

- The DC output voltage with respect to ground is  $\approx 0.87 \times V_{CC}$ .

## AC CHARACTERISTICS

$V_{CC} = 9\text{ V}$ ;  $f = 1\text{ kHz}$ ;  $R_L = 10\text{ k}\Omega$ ;  $T_{amb} = 25\text{ °C}$ ; in accordance with test circuit (see Fig.3); note 1.

SYMBOL	PARAMETER	CONDITIONS	MIN.	TYP.	MAX.	UNIT
$G_V$	voltage gain		7.5	8	8.5	dB
$ \Delta G_V $	channel unbalance		–	–	0.5	dB
$\alpha_{CS}$	channel separation	$R_S = 600\ \Omega$ ; $V_{O(rms)} = 1\text{ V}$ ; note 1	80	90	–	dB
$f_{lr}$	low frequency roll-off	–1 dB; note 2	–	–	5	Hz
$f_{hr}$	high frequency roll-off	–1 dB	20	–	–	kHz
$ Z_i $	input impedance		22	30	38	k $\Omega$
$ Z_o $	output impedance		–	–	10	$\Omega$
$V_{O(max)(rms)}$	maximum output voltage (RMS value)	THD + N = 0.1%	5.0	5.2	–	V
$V_{no}$	noise output voltage	unweighted; note 3	–	7	9	$\mu\text{V}$
		A-weighted; note 4	–	5	–	$\mu\text{V}$
THD + N	total harmonic distortion plus noise	$f = 1\text{ kHz}$ ; $V_O = 3\text{ V (RMS)}$ ; note 5	–	0.003	0.01	%
		$f = 17\text{ Hz to } 20\text{ kHz}$ ; note 6	–	0.01	–	%
SVRR	supply voltage ripple rejection	note 7	50	65	–	dB
		$f = 20\text{ Hz to } 20\text{ kHz}$ ; note 8	–	55	–	dB

### Notes

- The channel separation is determined by the parasitic capacitance between the inverting input left channel (pin 4) and the inverting input right channel (pin 5). The PCB layout has a major contribution to the parasitic capacitance. To obtain best results, the PCB tracks to pin 4 and pin 5 should be separated as much as possible.
- The frequency response is externally fixed by the input coupling capacitors.
- Noise output voltage is measured in a bandwidth of 20 Hz to 20 kHz with a source resistor  $R_S = 600\ \Omega$ .
- Noise output voltage is measured in a bandwidth of 20 Hz to 20 kHz with an A-weighted filter with a source resistor  $R_S = 600\ \Omega$ .
- Distortion is measured at a frequency of 1 kHz using an A-weighted filter.
- Distortion is measured at an output voltage of 3.0 V (RMS) at frequencies between 17 Hz and 20 kHz.
- Ripple rejection is measured at the output, using a source resistor  $R_S = 600\ \Omega$  and a ripple amplitude of 100 mV (RMS) at a frequency of 1 kHz.
- Ripple rejection is measured at the output, using a source resistor  $R_S = 600\ \Omega$  and a ripple amplitude of 100 mV (RMS) at frequencies between 20 Hz and 20 kHz.

# Class-H high-output voltage level line driver

TDA8574

## APPLICATION INFORMATION

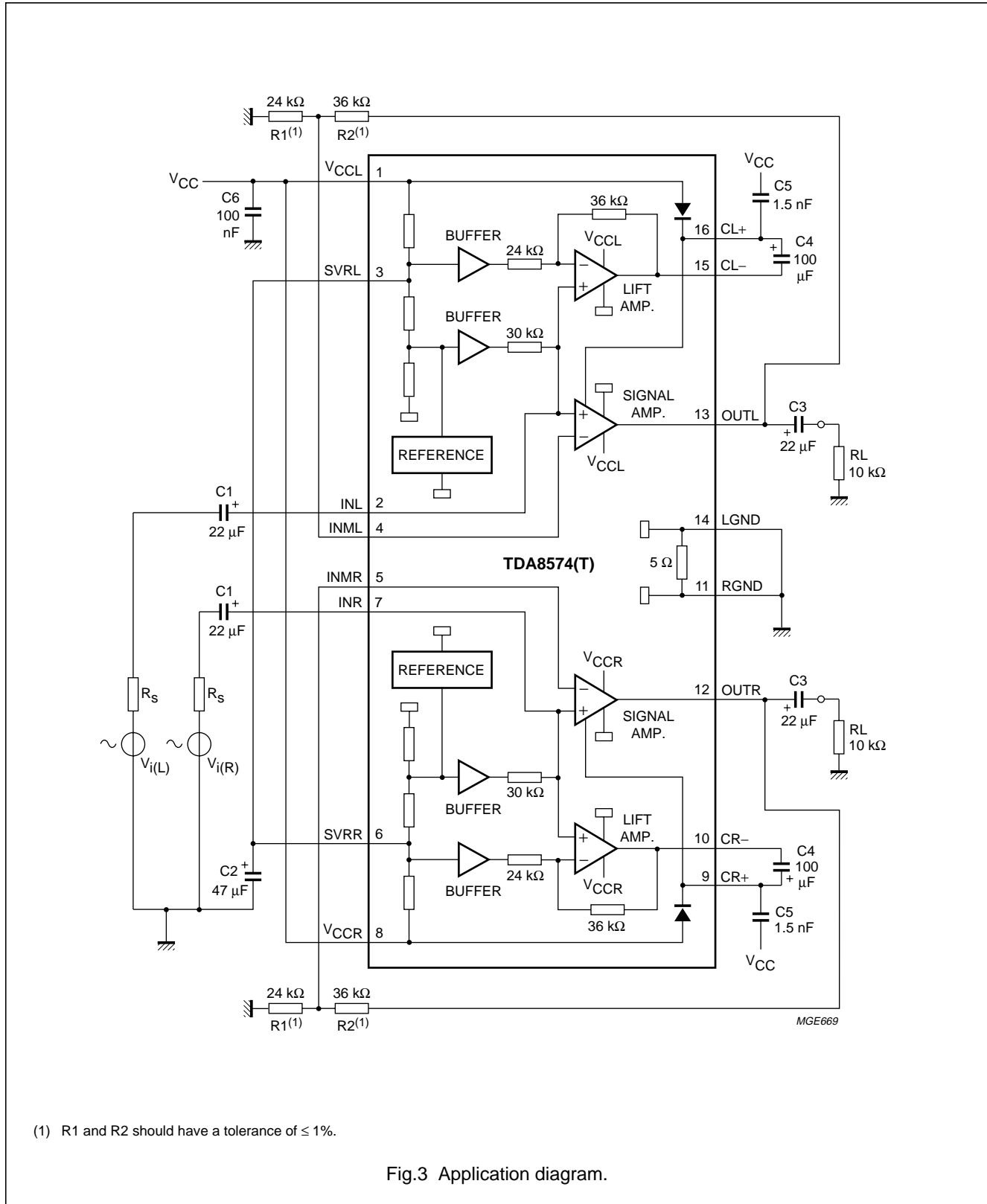
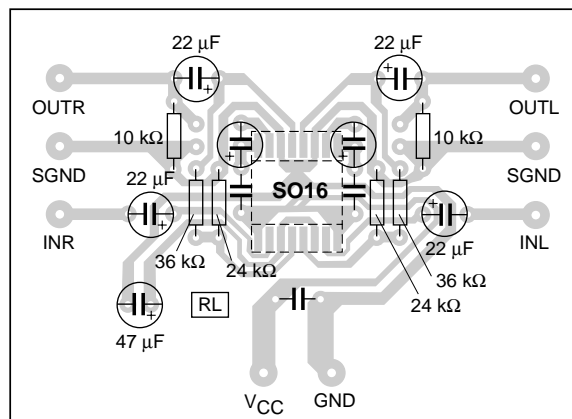
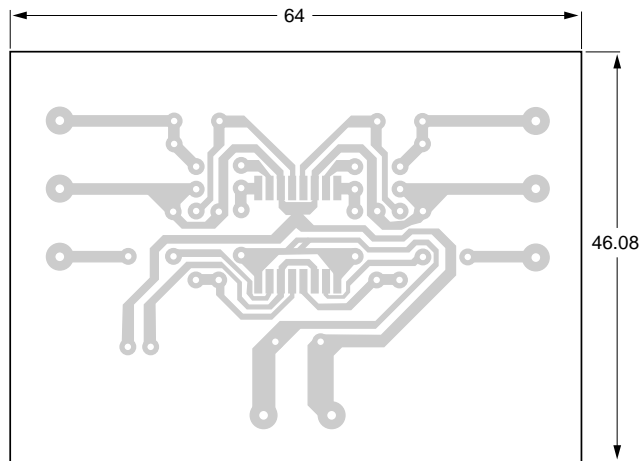


Fig.3 Application diagram.

# Class-H high-output voltage level line driver

TDA8574

## Printed-Circuit Board (PCB) layout



MBH883

Dimensions in mm.  
 IC mounted on track side, additional components mounted on component side.  
 Tracks viewed from component side.

Fig.4 Recommended PCB-layout.



# Class-H high-output voltage level line driver

TDA8574

## Application characteristics

$V_{CC} = 9\text{ V}$ ;  $R_I = 10\text{ k}\Omega$ ;  $T_{amb} = 25\text{ }^\circ\text{C}$ ; 80 kHz filter.

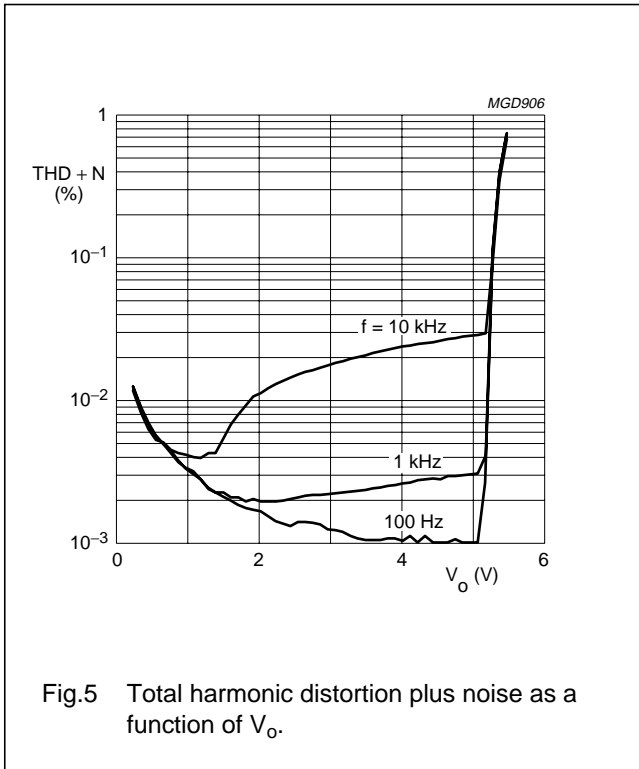


Fig.5 Total harmonic distortion plus noise as a function of  $V_o$ .

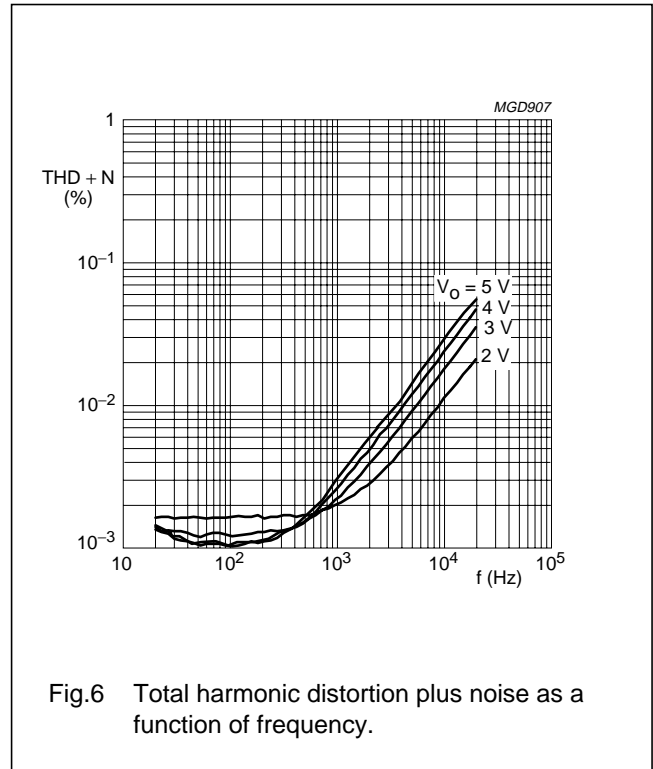


Fig.6 Total harmonic distortion plus noise as a function of frequency.

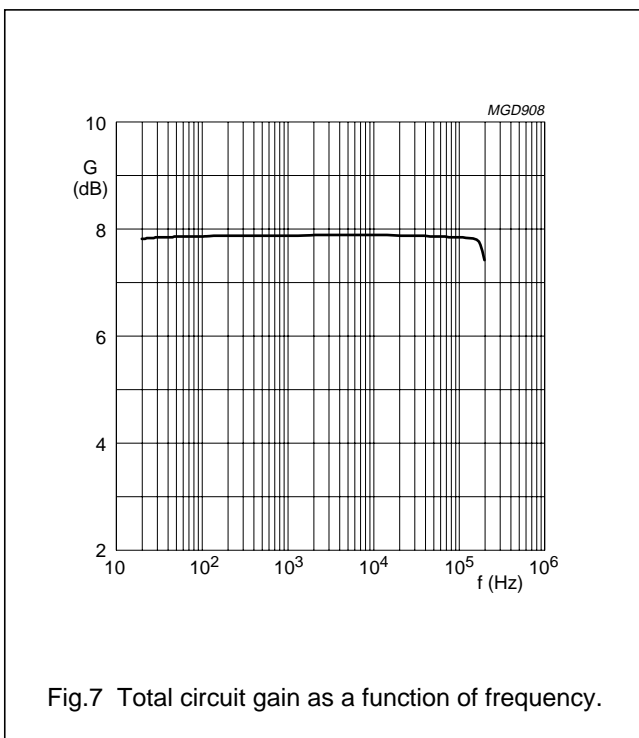


Fig.7 Total circuit gain as a function of frequency.

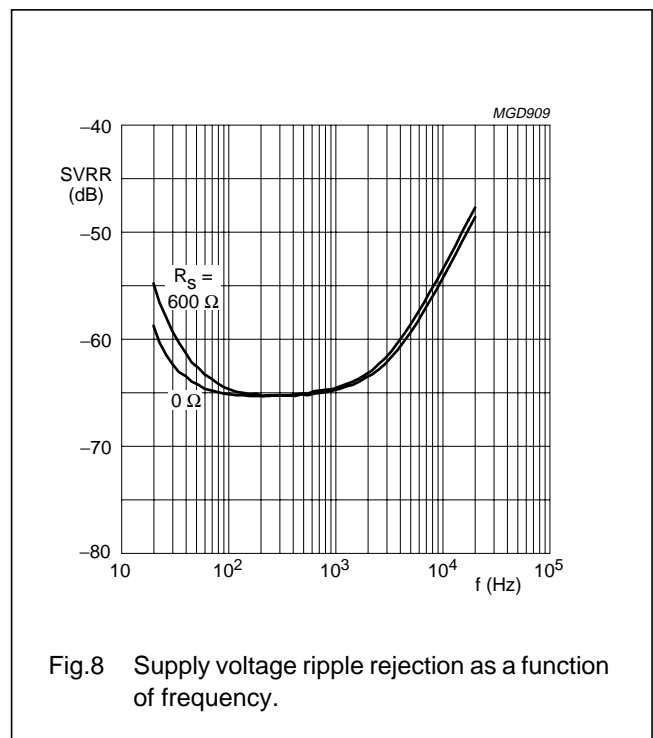
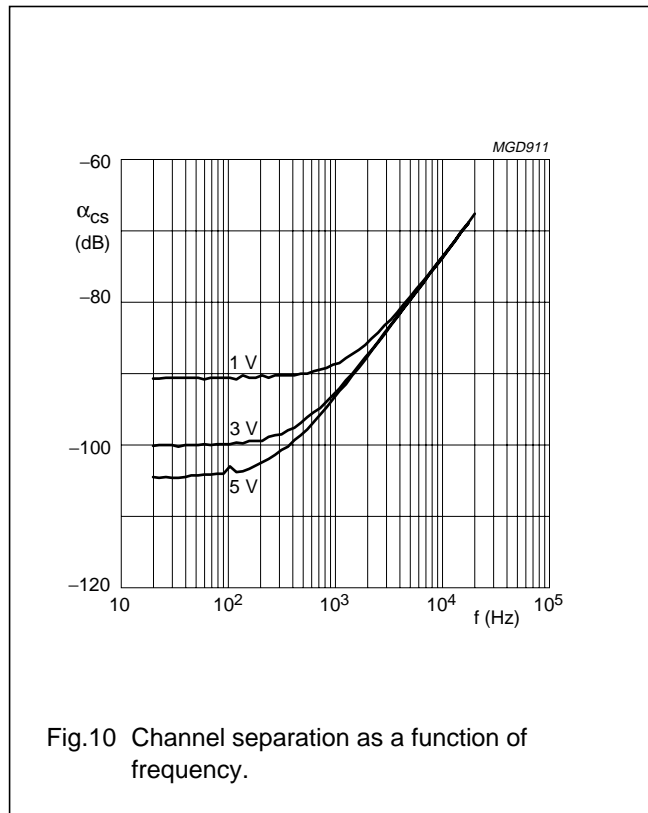
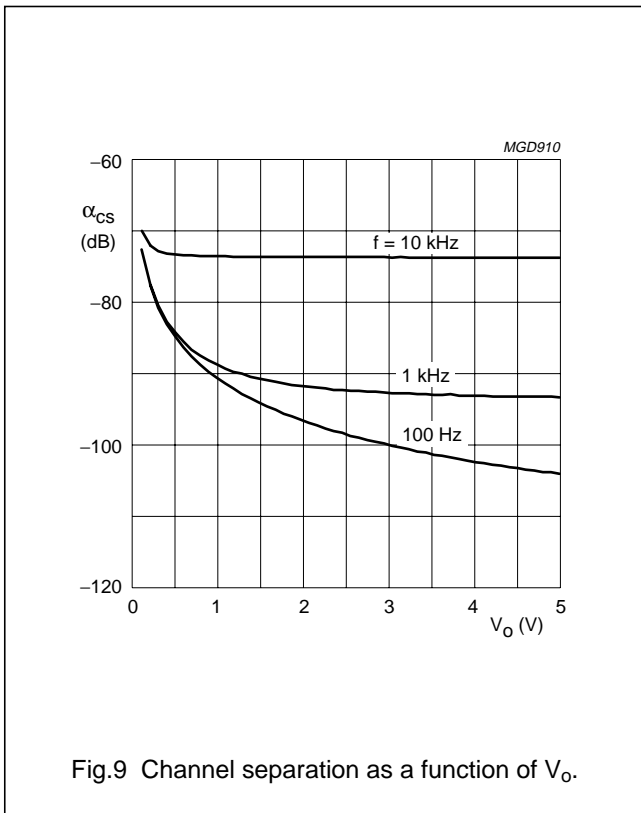


Fig.8 Supply voltage ripple rejection as a function of frequency.

Class-H high-output voltage level line driver

TDA8574



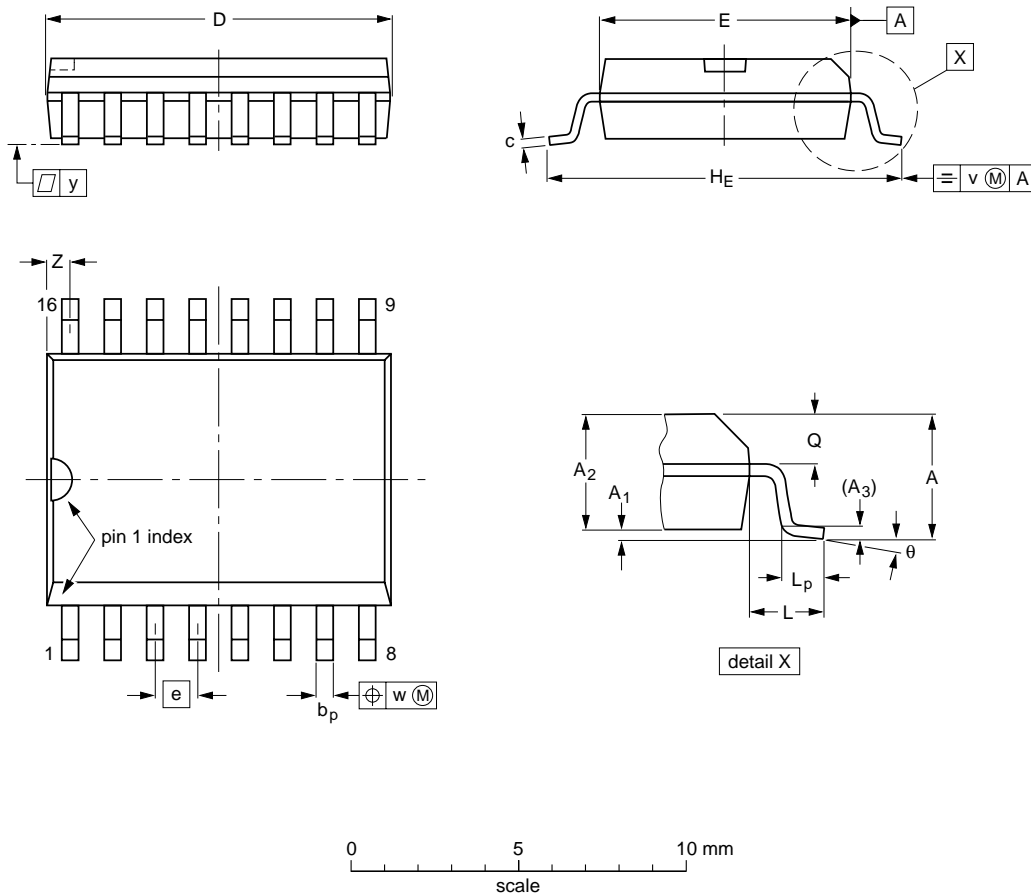
# Class-H high-output voltage level line driver

TDA8574

## PACKAGE OUTLINES

SO16: plastic small outline package; 16 leads; body width 7.5 mm

SOT162-1



**DIMENSIONS (inch dimensions are derived from the original mm dimensions)**

UNIT	A max.	A <sub>1</sub>	A <sub>2</sub>	A <sub>3</sub>	b <sub>p</sub>	c	D <sup>(1)</sup>	E <sup>(1)</sup>	e	H <sub>E</sub>	L	L <sub>p</sub>	Q	v	w	y	z <sup>(1)</sup>	θ
mm	2.65	0.30 0.10	2.45 2.25	0.25	0.49 0.36	0.32 0.23	10.5 10.1	7.6 7.4	1.27	10.65 10.00	1.4	1.1 0.4	1.1 1.0	0.25	0.25	0.1	0.9 0.4	8° 0°
inches	0.10	0.012 0.004	0.096 0.089	0.01	0.019 0.014	0.013 0.009	0.41 0.40	0.30 0.29	0.050	0.419 0.394	0.055	0.043 0.016	0.043 0.039	0.01	0.01	0.004	0.035 0.016	

**Note**

1. Plastic or metal protrusions of 0.15 mm maximum per side are not included.

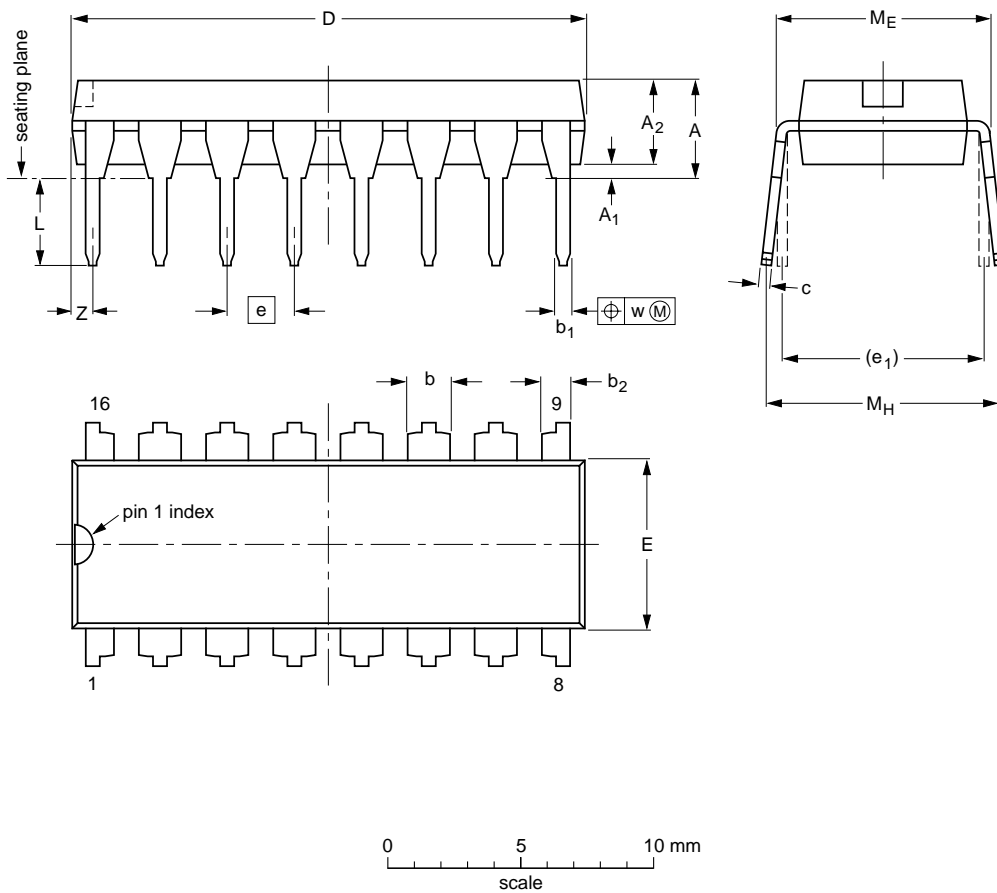
OUTLINE VERSION	REFERENCES				EUROPEAN PROJECTION	ISSUE DATE
	IEC	JEDEC	EIAJ			
SOT162-1	075E03	MS-013AA				95-01-24 97-05-22

# Class-H high-output voltage level line driver

TDA8574

DIP16: plastic dual in-line package; 16 leads (300 mil)

SOT38-4



**DIMENSIONS (inch dimensions are derived from the original mm dimensions)**

UNIT	A max.	A <sub>1</sub> min.	A <sub>2</sub> max.	b	b <sub>1</sub>	b <sub>2</sub>	c	D <sup>(1)</sup>	E <sup>(1)</sup>	e	e <sub>1</sub>	L	M <sub>E</sub>	M <sub>H</sub>	w	Z <sup>(1)</sup> max.
mm	4.2	0.51	3.2	1.73 1.30	0.53 0.38	1.25 0.85	0.36 0.23	19.50 18.55	6.48 6.20	2.54	7.62	3.60 3.05	8.25 7.80	10.0 8.3	0.254	0.76
inches	0.17	0.020	0.13	0.068 0.051	0.021 0.015	0.049 0.033	0.014 0.009	0.77 0.73	0.26 0.24	0.10	0.30	0.14 0.12	0.32 0.31	0.39 0.33	0.01	0.030

**Note**

1. Plastic or metal protrusions of 0.25 mm maximum per side are not included.

OUTLINE VERSION	REFERENCES			EUROPEAN PROJECTION	ISSUE DATE
	IEC	JEDEC	EIAJ		
SOT38-4					92-11-17 95-01-14

## Class-H high-output voltage level line driver

TDA8574

### SOLDERING

#### Introduction

There is no soldering method that is ideal for all IC packages. Wave soldering is often preferred when through-hole and surface mounted components are mixed on one printed-circuit board. However, wave soldering is not always suitable for surface mounted ICs, or for printed-circuits with high population densities. In these situations reflow soldering is often used.

This text gives a very brief insight to a complex technology. A more in-depth account of soldering ICs can be found in our *"Data Handbook IC26; Integrated Circuit Packages"* (order code 9398 652 90011).

#### DIP

##### SOLDERING BY DIPPING OR BY WAVE

The maximum permissible temperature of the solder is 260 °C; solder at this temperature must not be in contact with the joint for more than 5 seconds. The total contact time of successive solder waves must not exceed 5 seconds.

The device may be mounted up to the seating plane, but the temperature of the plastic body must not exceed the specified maximum storage temperature ( $T_{stg\ max}$ ). If the printed-circuit board has been pre-heated, forced cooling may be necessary immediately after soldering to keep the temperature within the permissible limit.

##### REPAIRING SOLDERED JOINTS

Apply a low voltage soldering iron (less than 24 V) to the lead(s) of the package, below the seating plane or not more than 2 mm above it. If the temperature of the soldering iron bit is less than 300 °C it may remain in contact for up to 10 seconds. If the bit temperature is between 300 and 400 °C, contact may be up to 5 seconds.

#### SO

##### REFLOW SOLDERING

Reflow soldering techniques are suitable for all SO packages.

Reflow soldering requires solder paste (a suspension of fine solder particles, flux and binding agent) to be applied to the printed-circuit board by screen printing, stencilling or pressure-syringe dispensing before package placement.

Several techniques exist for reflowing; for example, thermal conduction by heated belt. Dwell times vary between 50 and 300 seconds depending on heating method. Typical reflow temperatures range from 215 to 250 °C.

Preheating is necessary to dry the paste and evaporate the binding agent. Preheating duration: 45 minutes at 45 °C.

##### WAVE SOLDERING

Wave soldering techniques can be used for all SO packages if the following conditions are observed:

- A double-wave (a turbulent wave with high upward pressure followed by a smooth laminar wave) soldering technique should be used.
- The longitudinal axis of the package footprint must be parallel to the solder flow.
- The package footprint must incorporate solder thieves at the downstream end.

During placement and before soldering, the package must be fixed with a droplet of adhesive. The adhesive can be applied by screen printing, pin transfer or syringe dispensing. The package can be soldered after the adhesive is cured.

Maximum permissible solder temperature is 260 °C, and maximum duration of package immersion in solder is 10 seconds, if cooled to less than 150 °C within 6 seconds. Typical dwell time is 4 seconds at 250 °C.

A mildly-activated flux will eliminate the need for removal of corrosive residues in most applications.

##### REPAIRING SOLDERED JOINTS

Fix the component by first soldering two diagonally-opposite end leads. Use only a low voltage soldering iron (less than 24 V) applied to the flat part of the lead. Contact time must be limited to 10 seconds at up to 300 °C. When using a dedicated tool, all other leads can be soldered in one operation within 2 to 5 seconds between 270 and 320 °C.

# Class-H high-output voltage level line driver

TDA8574

## DEFINITIONS

<b>Data sheet status</b>	
Objective specification	This data sheet contains target or goal specifications for product development.
Preliminary specification	This data sheet contains preliminary data; supplementary data may be published later.
Product specification	This data sheet contains final product specifications.
<b>Limiting values</b>	
Limiting values given are in accordance with the Absolute Maximum Rating System (IEC 134). Stress above one or more of the limiting values may cause permanent damage to the device. These are stress ratings only and operation of the device at these or at any other conditions above those given in the Characteristics sections of the specification is not implied. Exposure to limiting values for extended periods may affect device reliability.	
<b>Application information</b>	
Where application information is given, it is advisory and does not form part of the specification.	

## LIFE SUPPORT APPLICATIONS

These products are not designed for use in life support appliances, devices, or systems where malfunction of these products can reasonably be expected to result in personal injury. Philips customers using or selling these products for use in such applications do so at their own risk and agree to fully indemnify Philips for any damages resulting from such improper use or sale.

---

Class-H high-output voltage level line  
driver

---

TDA8574

**NOTES**

# Philips Semiconductors – a worldwide company

**Argentina:** see South America

**Australia:** 34 Waterloo Road, NORTH RYDE, NSW 2113, Tel. +61 2 9805 4455, Fax. +61 2 9805 4466

**Austria:** Computerstr. 6, A-1101 WIEN, P.O. Box 213, Tel. +43 160 1010, Fax. +43 160 101 1210

**Belarus:** Hotel Minsk Business Center, Bld. 3, r. 1211, Volodarski Str. 6, 220050 MINSK, Tel. +375 172 200 733, Fax. +375 172 200 773

**Belgium:** see The Netherlands

**Brazil:** see South America

**Bulgaria:** Philips Bulgaria Ltd., Energoproject, 15th floor, 51 James Bourchier Blvd., 1407 SOFIA, Tel. +359 2 689 211, Fax. +359 2 689 102

**Canada:** PHILIPS SEMICONDUCTORS/COMPONENTS, Tel. +1 800 234 7381

**China/Hong Kong:** 501 Hong Kong Industrial Technology Centre, 72 Tat Chee Avenue, Kowloon Tong, HONG KONG, Tel. +852 2319 7888, Fax. +852 2319 7700

**Colombia:** see South America

**Czech Republic:** see Austria

**Denmark:** Prags Boulevard 80, PB 1919, DK-2300 COPENHAGEN S, Tel. +45 32 88 2636, Fax. +45 31 57 0044

**Finland:** Sinikalliontie 3, FIN-02630 ESPOO, Tel. +358 9 615800, Fax. +358 9 61580920

**France:** 51 Rue Carnot, BP317, 92156 SURESNES Cedex, Tel. +33 1 40 99 6161, Fax. +33 1 40 99 6427

**Germany:** Hammerbrookstraße 69, D-20097 HAMBURG, Tel. +49 40 23 53 60, Fax. +49 40 23 536 300

**Greece:** No. 15, 25th March Street, GR 17778 TAVROS/ATHENS, Tel. +30 1 4894 339/239, Fax. +30 1 4814 240

**Hungary:** see Austria

**India:** Philips INDIA Ltd, Band Box Building, 2nd floor, 254-D, Dr. Annie Besant Road, Worli, MUMBAI 400 025, Tel. +91 22 493 8541, Fax. +91 22 493 0966

**Indonesia:** PT Philips Development Corporation, Semiconductors Division, Gedung Philips, Jl. Buncit Raya Kav.99-100, JAKARTA 12510, Tel. +62 21 794 0040 ext. 2501, Fax. +62 21 794 0080

**Ireland:** Newstead, Clonskeagh, DUBLIN 14, Tel. +353 1 7640 000, Fax. +353 1 7640 200

**Israel:** RAPAC Electronics, 7 Kehilat Saloniki St, PO Box 18053, TEL AVIV 61180, Tel. +972 3 645 0444, Fax. +972 3 649 1007

**Italy:** PHILIPS SEMICONDUCTORS, Piazza IV Novembre 3, 20124 MILANO, Tel. +39 2 6752 2531, Fax. +39 2 6752 2557

**Japan:** Philips Bldg 13-37, Kohnan 2-chome, Minato-ku, TOKYO 108-8507, Tel. +81 3 3740 5130, Fax. +81 3 3740 5077

**Korea:** Philips House, 260-199 Itaewon-dong, Yongsan-ku, SEOUL, Tel. +82 2 709 1412, Fax. +82 2 709 1415

**Malaysia:** No. 76 Jalan Universiti, 46200 PETALING JAYA, SELANGOR, Tel. +60 3 750 5214, Fax. +60 3 757 4880

**Mexico:** 5900 Gateway East, Suite 200, EL PASO, TEXAS 79905, Tel. +9-5 800 234 7381

**Middle East:** see Italy

**Netherlands:** Postbus 90050, 5600 PB EINDHOVEN, Bldg. VB, Tel. +31 40 27 82785, Fax. +31 40 27 88399

**New Zealand:** 2 Wagener Place, C.P.O. Box 1041, AUCKLAND, Tel. +64 9 849 4160, Fax. +64 9 849 7811

**Norway:** Box 1, Manglerud 0612, OSLO, Tel. +47 22 74 8000, Fax. +47 22 74 8341

**Pakistan:** see Singapore

**Philippines:** Philips Semiconductors Philippines Inc., 106 Valero St. Salcedo Village, P.O. Box 2108 MCC, MAKATI, Metro MANILA, Tel. +63 2 816 6380, Fax. +63 2 817 3474

**Poland:** Ul. Lukiska 10, PL 04-123 WARSZAWA, Tel. +48 22 612 2831, Fax. +48 22 612 2327

**Portugal:** see Spain

**Romania:** see Italy

**Russia:** Philips Russia, Ul. Usatcheva 35A, 119048 MOSCOW, Tel. +7 095 755 6918, Fax. +7 095 755 6919

**Singapore:** Lorong 1, Toa Payoh, SINGAPORE 319762, Tel. +65 350 2538, Fax. +65 251 6500

**Slovakia:** see Austria

**Slovenia:** see Italy

**South Africa:** S.A. PHILIPS Pty Ltd., 195-215 Main Road Martindale, 2092 JOHANNESBURG, P.O. Box 7430 Johannesburg 2000, Tel. +27 11 470 5911, Fax. +27 11 470 5494

**South America:** Al. Vicente Pinzon, 173, 6th floor, 04547-130 SÃO PAULO, SP, Brazil, Tel. +55 11 821 2333, Fax. +55 11 821 2382

**Spain:** Balmes 22, 08007 BARCELONA, Tel. +34 93 301 6312, Fax. +34 93 301 4107

**Sweden:** Kottbygatan 7, Akalla, S-16485 STOCKHOLM, Tel. +46 8 5985 2000, Fax. +46 8 5985 2745

**Switzerland:** Allmendstrasse 140, CH-8027 ZÜRICH, Tel. +41 1 488 2741 Fax. +41 1 488 3263

**Taiwan:** Philips Semiconductors, 6F, No. 96, Chien Kuo N. Rd., Sec. 1, TAIPEI, Taiwan Tel. +886 2 2134 2865, Fax. +886 2 2134 2874

**Thailand:** PHILIPS ELECTRONICS (THAILAND) Ltd., 209/2 Sanpavuth-Bangna Road Prakanong, BANGKOK 10260, Tel. +66 2 745 4090, Fax. +66 2 398 0793

**Turkey:** Talatpasa Cad. No. 5, 80640 GÜLTEPE/ISTANBUL, Tel. +90 212 279 2770, Fax. +90 212 282 6707

**Ukraine:** PHILIPS UKRAINE, 4 Patrice Lumumba str., Building B, Floor 7, 252042 KIEV, Tel. +380 44 264 2776, Fax. +380 44 268 0461

**United Kingdom:** Philips Semiconductors Ltd., 276 Bath Road, Hayes, MIDDLESEX UB3 5BX, Tel. +44 181 730 5000, Fax. +44 181 754 8421

**United States:** 811 East Arques Avenue, SUNNYVALE, CA 94088-3409, Tel. +1 800 234 7381

**Uruguay:** see South America

**Vietnam:** see Singapore

**Yugoslavia:** PHILIPS, Trg N. Pasica 5/v, 11000 BEOGRAD, Tel. +381 11 625 344, Fax. +381 11 635 777

**For all other countries apply to:** Philips Semiconductors, International Marketing & Sales Communications, Building BE-p, P.O. Box 218, 5600 MD EINDHOVEN, The Netherlands, Fax. +31 40 27 24825

**Internet:** <http://www.semiconductors.philips.com>

© Philips Electronics N.V. 1998

SCA60

All rights are reserved. Reproduction in whole or in part is prohibited without the prior written consent of the copyright owner.

The information presented in this document does not form part of any quotation or contract, is believed to be accurate and reliable and may be changed without notice. No liability will be accepted by the publisher for any consequence of its use. Publication thereof does not convey nor imply any license under patent- or other industrial or intellectual property rights.

Printed in The Netherlands

545102/25/03/pp16

Date of release: 1998 Oct 16

Document order number: 9397 750 04393

*Let's make things better.*

**Philips  
Semiconductors**



**PHILIPS**