

# DATA SHEET

## **TDA8560Q**

**2 × 40 W/2 Ω stereo BTL car radio  
power amplifier with diagnostic  
facility**

Product specification  
Supersedes data of March 1994  
File under Integrated Circuits, IC01

1996 Jan 08

## 2 × 40 W/2 Ω stereo BTL car radio power amplifier with diagnostic facility

TDA8560Q

### FEATURES

- Requires very few external components
- High output power
- 4 Ω and 2 Ω load impedance
- Low output offset voltage
- Fixed gain
- Diagnostic facility (distortion, short-circuit and temperature detection)
- Good ripple rejection
- Mode select switch (operating, mute and standby)
- Load dump protection
- Short-circuit safe to ground, to  $V_P$  and across the load
- Low power dissipation in any short-circuit condition
- Thermally protected
- Reverse polarity safe
- Electrostatic discharge protection
- No switch-on/switch-off plop
- Flexible leads
- Low thermal resistance.

### GENERAL DESCRIPTION

The TDA8560Q is an integrated class-B output amplifier in a 13-lead single-in-line (SIL) power package. It contains 2 × 40 W/2 Ω amplifiers in BTL configuration.

The device is primarily developed for car radio applications.

### QUICK REFERENCE DATA

| SYMBOL         | PARAMETER                       | CONDITIONS                   | MIN. | TYP. | MAX. | UNIT |
|----------------|---------------------------------|------------------------------|------|------|------|------|
| $V_P$          | operating supply voltage        |                              | 6.0  | 14.4 | 18   | V    |
| $I_{ORM}$      | repetitive peak output current  |                              | –    | –    | 7.5  | A    |
| $I_{q(tot)}$   | total quiescent current         |                              | –    | 115  | –    | mA   |
| $I_{sb}$       | standby current                 |                              | –    | 0.1  | 100  | μA   |
| $I_{sw}$       | switch-on current               |                              | –    | –    | 40   | μA   |
| $ Z_i $        | input impedance                 |                              | 25   | 30   | –    | kΩ   |
| $P_o$          | output power                    | $R_L = 4 \Omega$ ; THD = 10% | –    | 25   | –    | W    |
|                |                                 | $R_L = 2 \Omega$ ; THD = 10% | –    | 40   | –    | W    |
| SVRR           | supply voltage ripple rejection | $R_s = 0 \Omega$             | –    | 45   | –    | dB   |
| $\alpha_{cs}$  | channel separation              | $R_s = 10 \text{ k}\Omega$   | –    | 50   | –    | dB   |
| $G_v$          | closed loop voltage gain        |                              | 39   | 40   | 41   | dB   |
| $V_{no}$       | noise output voltage            | $R_s = 0 \Omega$             | –    | –    | 250  | μV   |
| $ \Delta V_O $ | DC output offset voltage        |                              | –    | –    | 200  | mV   |

### ORDERING INFORMATION

| TYPE NUMBER | PACKAGE |  |          |
|-------------|---------|--|----------|
|             | NAME    | DESCRIPTION  | VERSION  |
| TDA8560Q    | DBS13P  | plastic DIL-bent-SIL power package; 13 leads (lead length 12 mm) | SOT141-6 |

2 × 40 W/2 Ω stereo BTL car radio  
power amplifier with diagnostic facility

TDA8560Q

BLOCK DIAGRAM

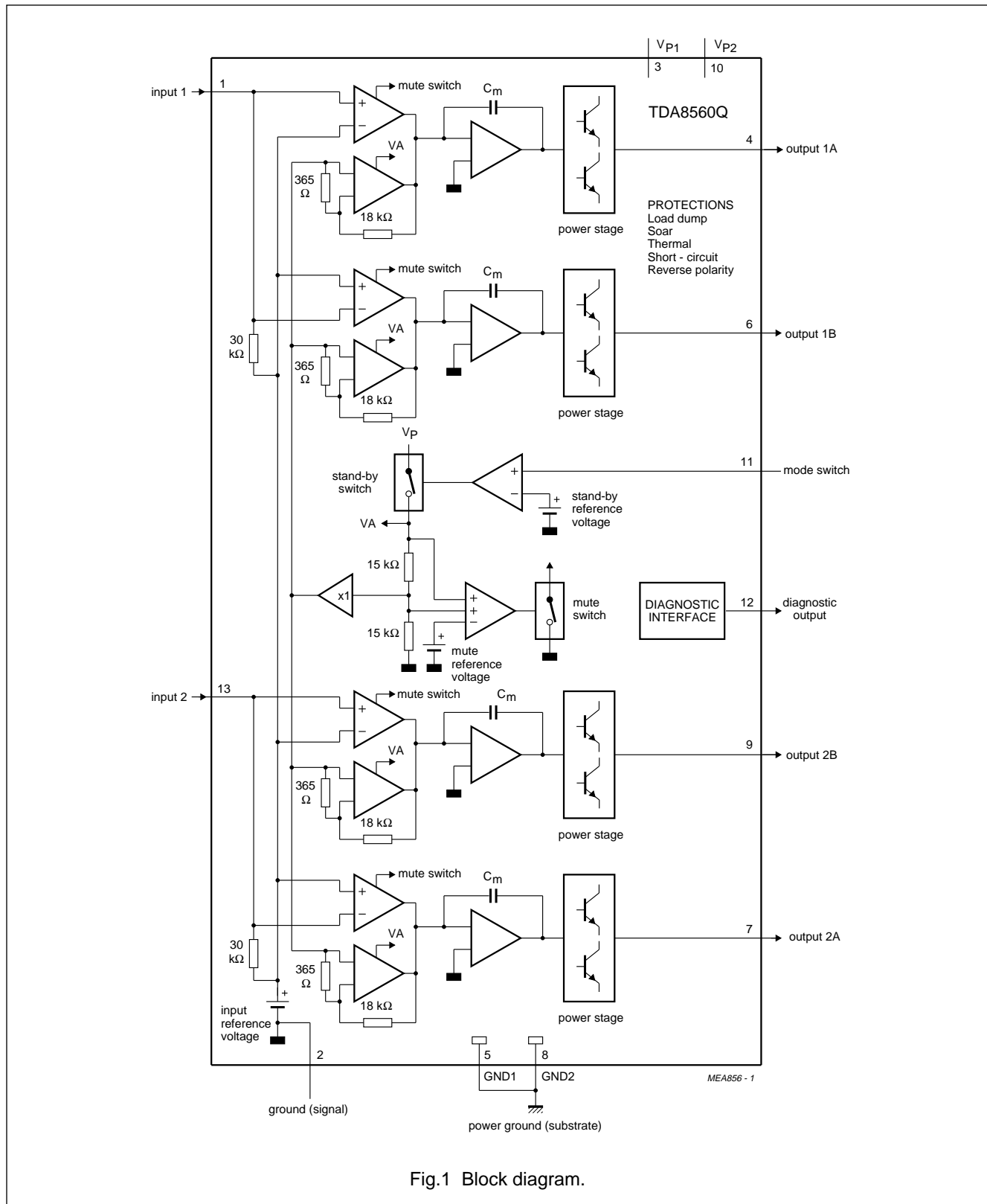


Fig.1 Block diagram.

**2 × 40 W/2 Ω stereo BTL car radio  
power amplifier with diagnostic facility**

**TDA8560Q**

**PINNING**

| SYMBOL            | PIN | DESCRIPTION       |
|-------------------|-----|-------------------|
| IN 1              | 1   | input 1           |
| GND(S)            | 2   | signal ground     |
| V <sub>P1</sub>   | 3   | supply voltage 1  |
| OUT 1A            | 4   | output 1A         |
| GND1              | 5   | power ground 1    |
| OUT 1B            | 6   | output 1B         |
| OUT 2A            | 7   | output 2A         |
| GND2              | 8   | power ground 2    |
| OUT 2B            | 9   | output 2B         |
| V <sub>P2</sub>   | 10  | supply voltage 2  |
| MODE              | 11  | mode switch input |
| V <sub>DIAG</sub> | 12  | diagnostic output |
| IN 2              | 13  | input 2           |

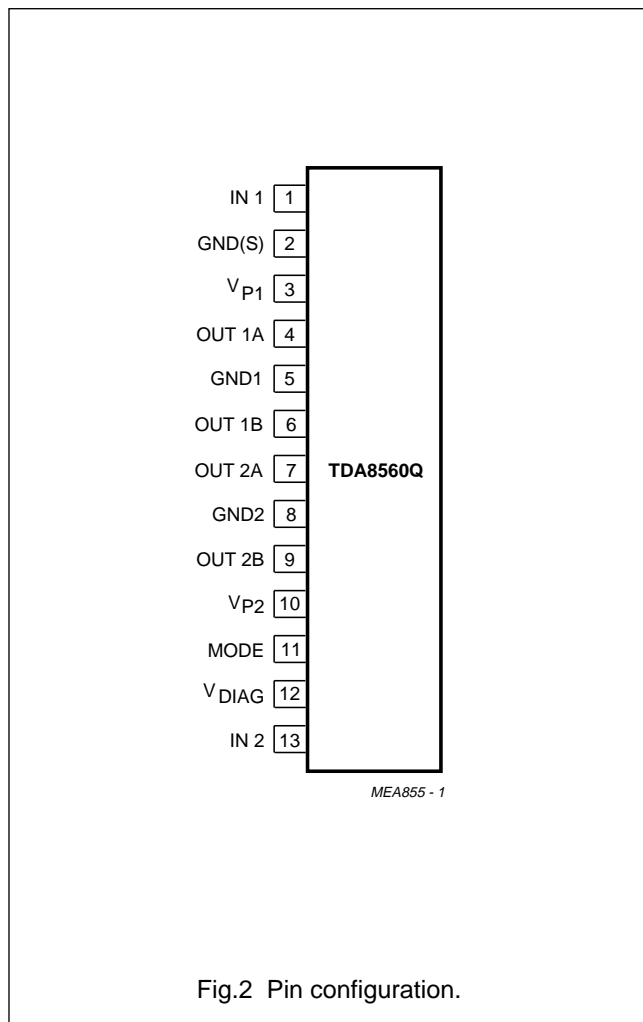


Fig.2 Pin configuration.

**FUNCTIONAL DESCRIPTION**

The TDA8560Q contains two identical amplifiers and can be used for bridge applications. The gain of each amplifier is fixed at 40 dB. Special features of the device are as follows.

**Mode select switch (pin 11)**

- Standby: low supply current (<100 μA)
- Mute: input signal suppressed
- Operating: normal on condition.

Since this pin has a very low input current (<40 μA), a low cost supply switch can be applied.

To avoid switch-on plops, it is advised to keep the amplifier in the mute mode during ≥100 ms (charging of the input capacitors at pin 1 and pin 13).

This can be achieved by:

- Microprocessor control
- External timing circuit (see Fig.7).

**Diagnostic output (pin 12)**

**DYNAMIC DISTORTION DETECTOR (DDD)**

At the onset of clipping of one or more output stages, the dynamic distortion detector becomes active and pin 12 goes low. This information can be used to drive a sound processor or DC volume control to attenuate the input signal and thus limit the distortion. The output level of pin 12 is independent of the number of channels that are clipping (see Fig.3).

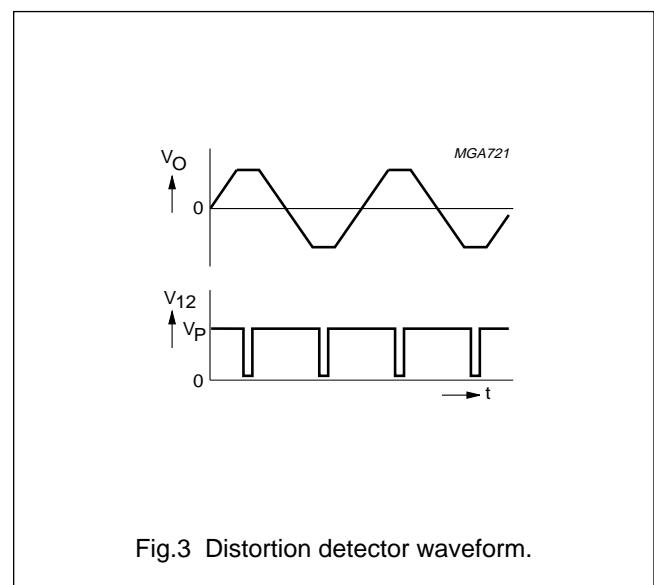


Fig.3 Distortion detector waveform.

## 2 × 40 W/2 Ω stereo BTL car radio power amplifier with diagnostic facility

TDA8560Q

### SHORT-CIRCUIT PROTECTION

When a short-circuit occurs at one or more outputs to ground or to the supply voltage, the output stages are switched off until the short-circuit is removed and the device is switched on again, with a delay of approximately 20 ms, after removal of the short-circuit. During this short-circuit condition, pin 12 is continuously low.

When a short-circuit across the load of one or both channels occurs the output stages are switched off during approximately 20 ms. After that time it is checked during approximately 50 μs to see whether the short-circuit is still present. Due to this duty cycle of 50 μs/20 ms the average current consumption during this short-circuit condition is very low (approximately 40 mA).

During this short-circuit condition, pin 12 is low for 20 ms and high for 50 μs (see Fig.4).

The power dissipation in any short-circuit condition is very low.

### TEMPERATURE DETECTION

When the virtual junction temperature  $T_{vj}$  reaches 150 °C, pin 12 will become continuously low.

### OPEN COLLECTOR OUTPUT

Pin 12 is an open collector output, which allows pin 12 of more devices being tied together.

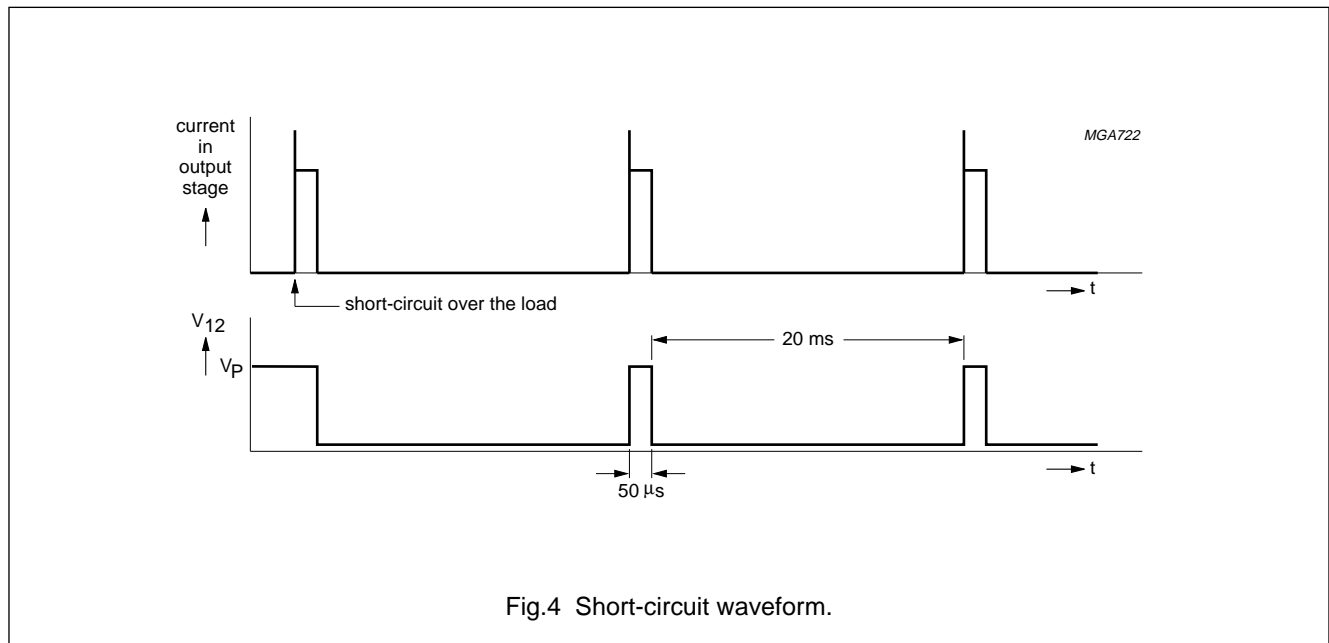


Fig.4 Short-circuit waveform.

## 2 × 40 W/2 Ω stereo BTL car radio power amplifier with diagnostic facility

TDA8560Q

### LIMITING VALUES

In accordance with the Absolute Maximum Rating System (IEC 134).

| SYMBOL    | PARAMETER                            | CONDITIONS                      | MIN. | MAX. | UNIT |
|-----------|--------------------------------------|---------------------------------|------|------|------|
| $V_P$     | supply voltage                       |                                 | –    | 18   | V    |
|           | operating                            |                                 | –    | 30   | V    |
|           | non-operating                        |                                 | –    | 45   | V    |
|           | load dump protection                 | during 50 ms; $t_r \geq 2.5$ ms | –    | 45   | V    |
| $V_{psc}$ | AC and DC short-circuit safe voltage |                                 | –    | 18   | V    |
| $V_{pr}$  | reverse polarity                     |                                 | –    | 6    | V    |
| $I_{OSM}$ | non-repetitive peak output current   |                                 | –    | 10   | A    |
| $I_{ORM}$ | repetitive peak output current       |                                 | –    | 7.5  | A    |
| $P_{tot}$ | total power dissipation              |                                 | –    | 60   | W    |
| $T_{stg}$ | storage temperature                  |                                 | –55  | +150 | °C   |
| $T_{amb}$ | operating ambient temperature        |                                 | –40  | +85  | °C   |
| $T_{vj}$  | virtual junction temperature         |                                 | –    | 150  | °C   |

### THERMAL CHARACTERISTICS

| SYMBOL        | PARAMETER   | VALUE | UNIT |
|---------------|---|-------|------|
| $R_{th\ j-a}$ | thermal resistance from junction to ambient in free air | 40    | K/W  |
| $R_{th\ j-c}$ | thermal resistance from junction to case (see Fig.5)    | 1.3   | K/W  |

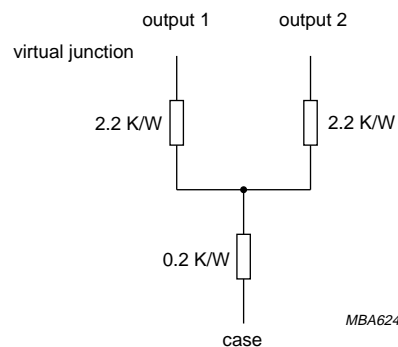


Fig.5 Equivalent thermal resistance network.

**2 × 40 W/2 Ω stereo BTL car radio  
power amplifier with diagnostic facility**

**TDA8560Q**

**DC CHARACTERISTICS**

$V_P = 14.4\text{ V}$ ;  $T_{amb} = 25\text{ °C}$ ; measured in Fig.6; unless otherwise specified.

| SYMBOL                     | PARAMETER                 | CONDITIONS                    | MIN. | TYP. | MAX.  | UNIT          |
|----------------------------|---------------------------|-------------------------------|------|------|-------|---------------|
| <b>Supply</b>              |                           |                               |      |      |       |               |
| $V_P$                      | supply voltage            | note 1                        | 6.0  | 14.4 | 18    | V             |
| $I_q$                      | quiescent current         | $R_L = \infty$                | –    | 115  | 180   | mA            |
| <b>Operating condition</b> |                           |                               |      |      |       |               |
| $V_{11}$                   | mode switch voltage level |                               | 8.5  | –    | $V_P$ | V             |
| $I_{11}$                   | mode switch current       | $V_{11} = 14.4\text{ V}$      | –    | 15   | 40    | $\mu\text{A}$ |
| $V_O$                      | DC output voltage         | note 2                        | –    | 7.0  | –     | V             |
| $ \Delta V_O $             | DC output offset voltage  |                               | –    | –    | 200   | mV            |
| <b>Mute condition</b>      |                           |                               |      |      |       |               |
| $V_{11}$                   | mode switch voltage level |                               | 3.3  | –    | 6.4   | V             |
| $V_O$                      | DC output voltage         | note 2                        | –    | 7.0  | –     | V             |
| $ \Delta V_O $             | DC output offset voltage  |                               | –    | –    | 200   | mV            |
| <b>Standby condition</b>   |                           |                               |      |      |       |               |
| $V_{11}$                   | mode switch voltage level |                               | 0    | –    | 2     | V             |
| $I_{sb}$                   | standby current           |                               | –    | 0.1  | 100   | $\mu\text{A}$ |
| <b>Diagnostic output</b>   |                           |                               |      |      |       |               |
| $V_{12}$                   | diagnostic output voltage | any short-circuit or clipping | –    | –    | 0.6   | V             |

**Notes**

1. The circuit is DC adjusted at  $V_P = 6$  to  $18\text{ V}$  and AC operating at  $V_P = 8.5$  to  $18\text{ V}$ .
2. At  $18\text{ V} < V_P < 30\text{ V}$  the DC output voltage  $\leq \frac{1}{2}V_P$ .

**2 × 40 W/2 Ω stereo BTL car radio  
power amplifier with diagnostic facility**

TDA8560Q

**AC CHARACTERISTICS**

$V_P = 14.4\text{ V}$ ;  $R_L = 2\ \Omega$ ;  $f = 1\text{ kHz}$ ;  $T_{\text{amb}} = 25\text{ °C}$ ; measured in Fig.6; unless otherwise specified.

| SYMBOL         | PARAMETER                       | CONDITIONS  | MIN. | TYP.        | MAX. | UNIT |
|----------------|---------------------------------|---|------|-------------|------|------|
| $P_o$          | output power                    | THD = 0.5%  | 25   | 30          | –    | W    |
|                |                                 | THD = 10%   | 33   | 40          | –    | W    |
|                |                                 | THD = 30%   | 45   | 55          | –    | W    |
| $P_o$          | output power                    | $V_P = 13.2\text{ V}$                                       |      |             |      |      |
|                |                                 | THD = 0.5%  | –    | 25          | –    | W    |
|                |                                 | THD = 10%   | –    | 35          | –    | W    |
| THD            | total harmonic distortion       | $P_o = 1\text{ W}$  | –    | 0.1         | –    | %    |
|                |                                 | $V_{12} \leq 0.6\text{ V}$ ; note 1                         | –    | 10          | –    | %    |
| B              | power bandwidth                 | THD = 0.5%;<br>$P_o = -1\text{ dB}$<br>with respect to 25 W | –    | 20 to 20000 | –    | Hz   |
| $f_{lr}$       | low frequency roll-off          | at $-1\text{ dB}$ ; note 2                                  | –    | 25          | –    | Hz   |
| $f_{hr}$       | high frequency roll-off         | at $-1\text{ dB}$   | 20   | –           | –    | kHz  |
| $G_v$          | closed loop voltage gain        |   | 39   | 40          | 41   | dB   |
| SVRR           | supply voltage ripple rejection |   |      |             |      |      |
|                | on                              | note 3  | 40   | –           | –    | dB   |
|                | mute                            | note 3  | 50   | –           | –    | dB   |
|                | standby                         | note 3  | 80   | –           | –    | dB   |
| $ Z_i $        | input impedance                 |   | 25   | 30          | 38   | kΩ   |
| $V_{no}$       | noise output voltage            |   |      |             |      |      |
|                | on                              | note 4  | –    | 200         | 250  | μV   |
|                | on                              | note 5  | –    | 250         | –    | μV   |
|                | mute                            | note 6  | –    | 135         | –    | μV   |
| $\alpha_{cs}$  | channel separation              | note 7  | 45   | –           | –    | dB   |
| $ \Delta G_v $ | channel unbalance               |   | –    | –           | 1    | dB   |
| $V_o$          | output voltage in mute          | note 8  | –    | –           | 5    | mV   |

**Notes**

- Dynamic distortion detector active.
- Frequency response externally fixed.
- $V_{\text{ripple}} = V_{\text{ripple(max)}} = 2\text{ V (p-p)}$ ;  $R_s = 0\ \Omega$ .
- $B = 20\text{ Hz to }20\text{ kHz}$ ;  $R_s = 0\ \Omega$ .
- $B = 20\text{ Hz to }20\text{ kHz}$ ;  $R_s = 10\text{ k}\Omega$ .
- $B = 20\text{ Hz to }20\text{ kHz}$ ; independent of  $R_s$ .
- $P_o = 25\text{ W}$ ;  $R_s = 10\text{ k}\Omega$ .
- $V_i = V_{i(\text{max})} = 1\text{ V (RMS)}$ .



**2 × 40 W/2 Ω stereo BTL car radio  
power amplifier with diagnostic facility**

**TDA8560Q**

**AC CHARACTERISTICS**

$V_P = 14.4\text{ V}$ ;  $R_L = 4\ \Omega$ ;  $f = 1\text{ kHz}$ ;  $T_{amb} = 25\text{ °C}$ ; measured in Fig.6; unless otherwise specified.

| SYMBOL         | PARAMETER                 | CONDITIONS              | MIN. | TYP. | MAX. | UNIT |
|----------------|---------------------------|-------------------------|------|------|------|------|
| P <sub>o</sub> | output power              | THD = 0.5%              | 16   | 19   | –    | W    |
|                |                           | THD = 10%               | 21   | 25   | –    | W    |
|                |                           | THD = 30%               | 28   | 35   | –    | W    |
| P <sub>o</sub> | output power              | V <sub>P</sub> = 13.2 V |      |      |      |      |
|                |                           | THD = 0.5%              | –    | 15   | –    | W    |
|                |                           | THD = 10%               | –    | 21   | –    | W    |
| THD            | total harmonic distortion | P <sub>o</sub> = 1 W    | –    | 0.1  | –    | %    |

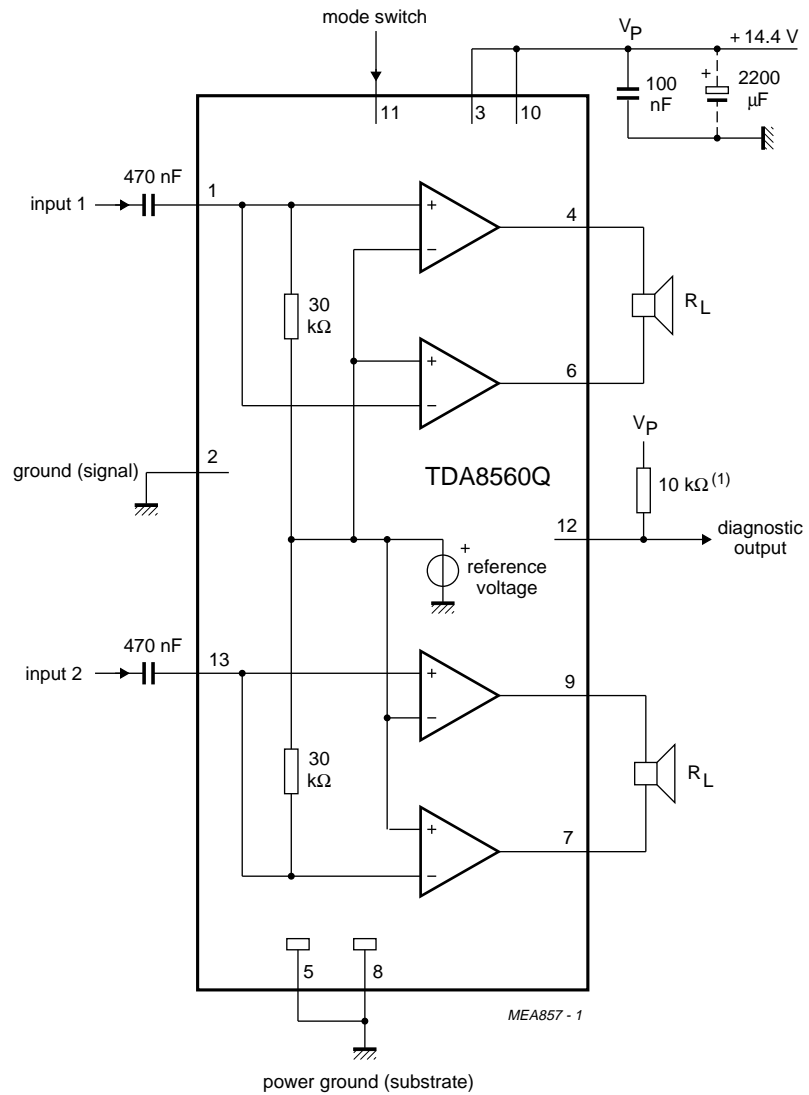
**2 × 40 W/2 Ω stereo BTL car radio  
power amplifier with diagnostic facility**

**TDA8560Q**

**QUALITY SPECIFICATION**

Quality in accordance with “Quality reference handbook SNW-FQ-611E”, if this type used as an audio amplifier. This handbook can be ordered using the code 9397 750 00192.

**TEST AND APPLICATION INFORMATION**



(1) To avoid high energy switching pulses which can feedback to the inputs it is advisable to ensure that the value of the resistor at pin 12 is  $\geq 10 \text{ k}\Omega$ .

Fig.6 Stereo BTL test/application diagram.

**2 × 40 W/2 Ω stereo BTL car radio  
power amplifier with diagnostic facility**

**TDA8560Q**

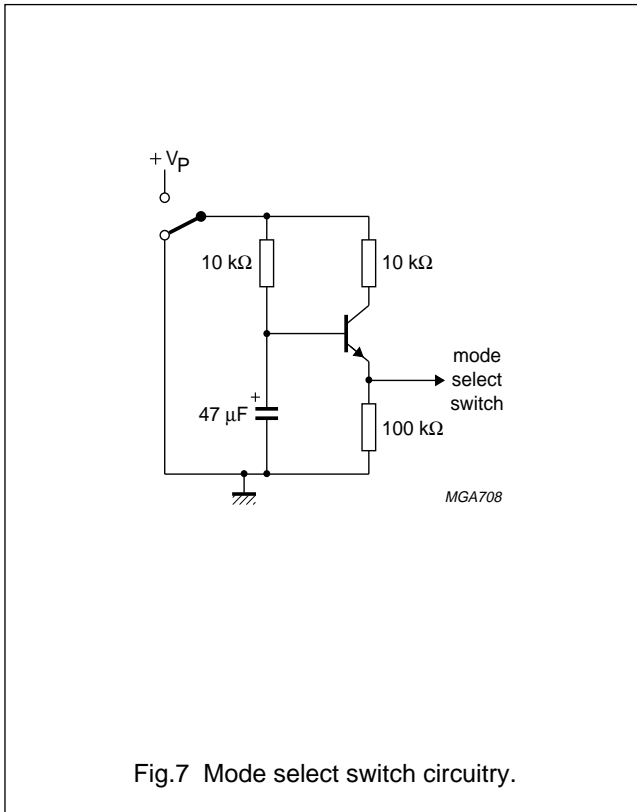


Fig.7 Mode select switch circuitry.

**Diagnostic output**

Special care must be taken in the printed-circuit board layout to separate pin 12 from pin 1 and pin 13, to minimize the crosstalk between the diagnostic output and the inputs.

**Mode select switch**

To avoid switch-on plops, it is advised to keep the amplifier in the mute mode during >100 ms (charging of the input capacitors at pin 1 and pin 13).

The circuit in Fig.7 slowly ramps up the voltage at the mode select switch pin when switching on and results in fast muting when switching off.

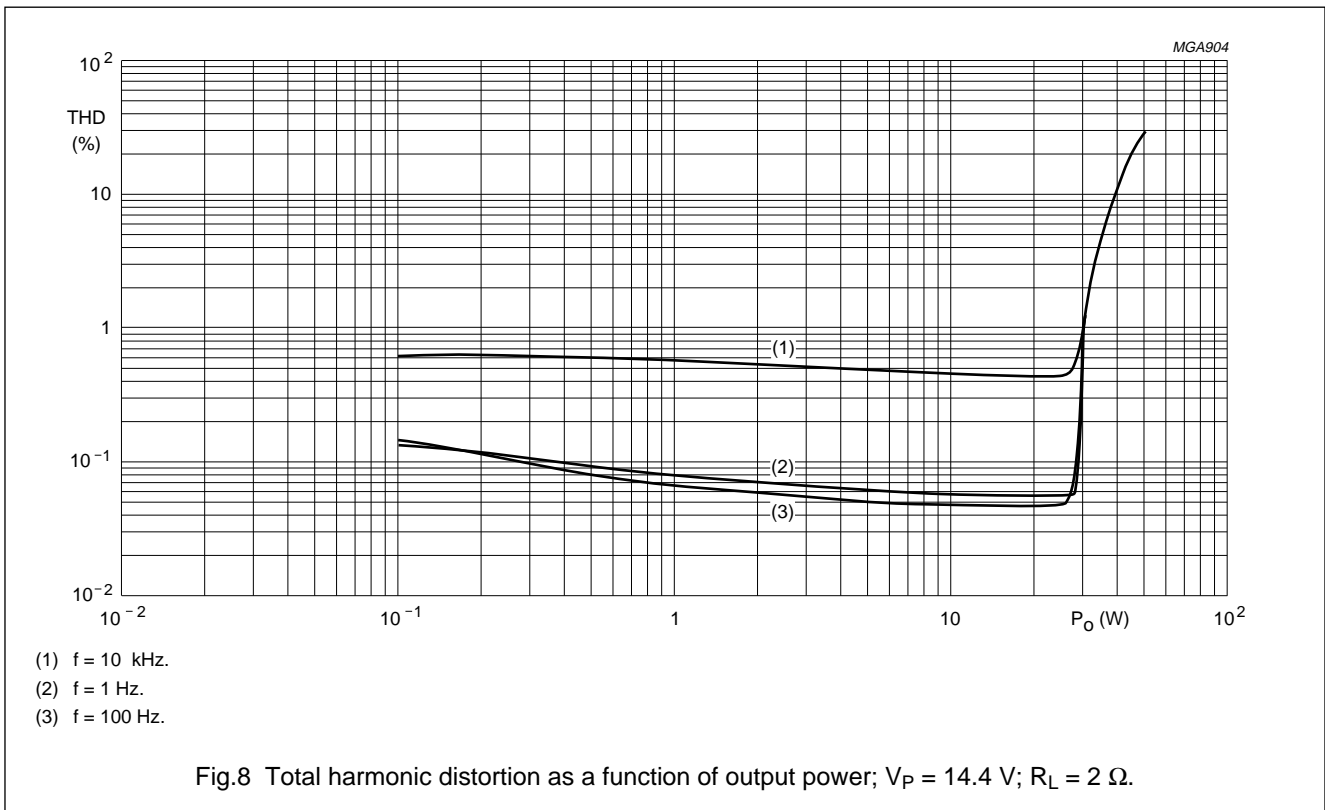
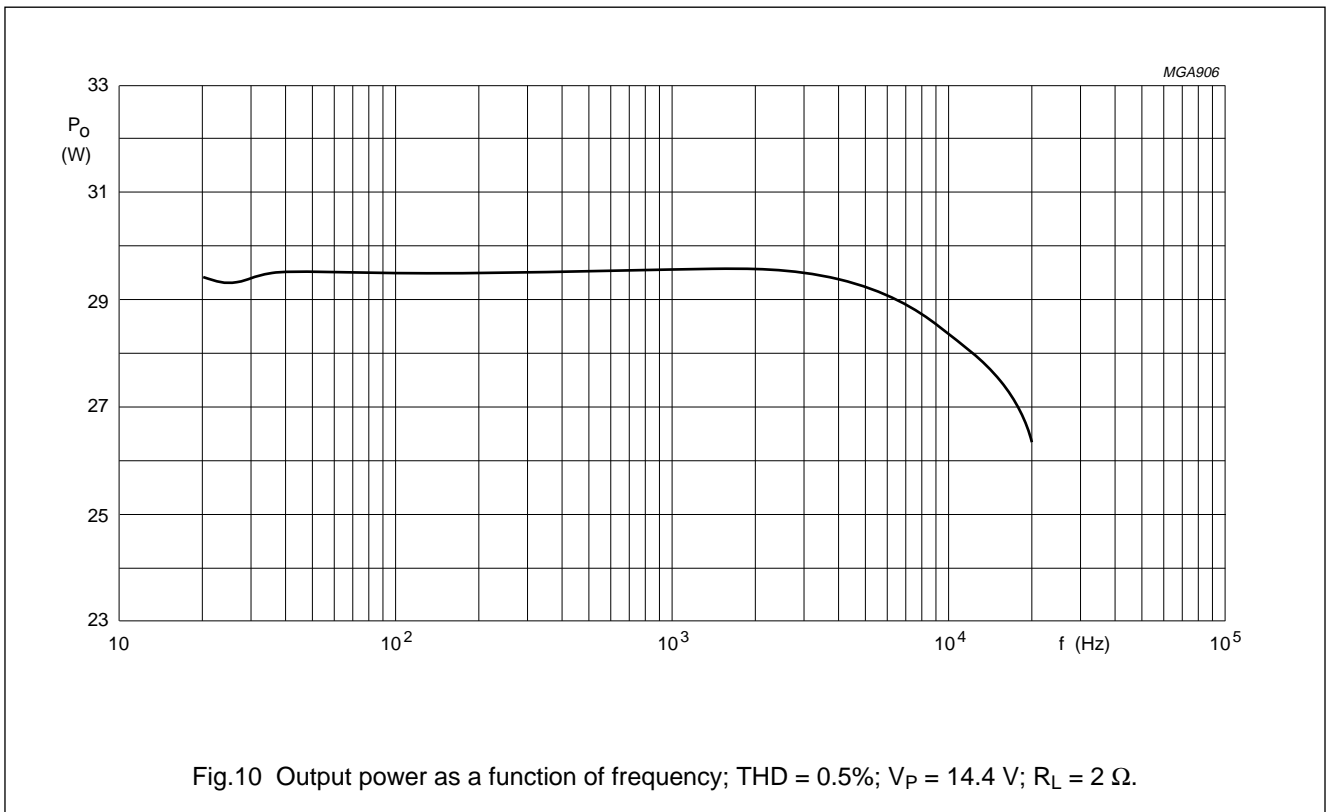
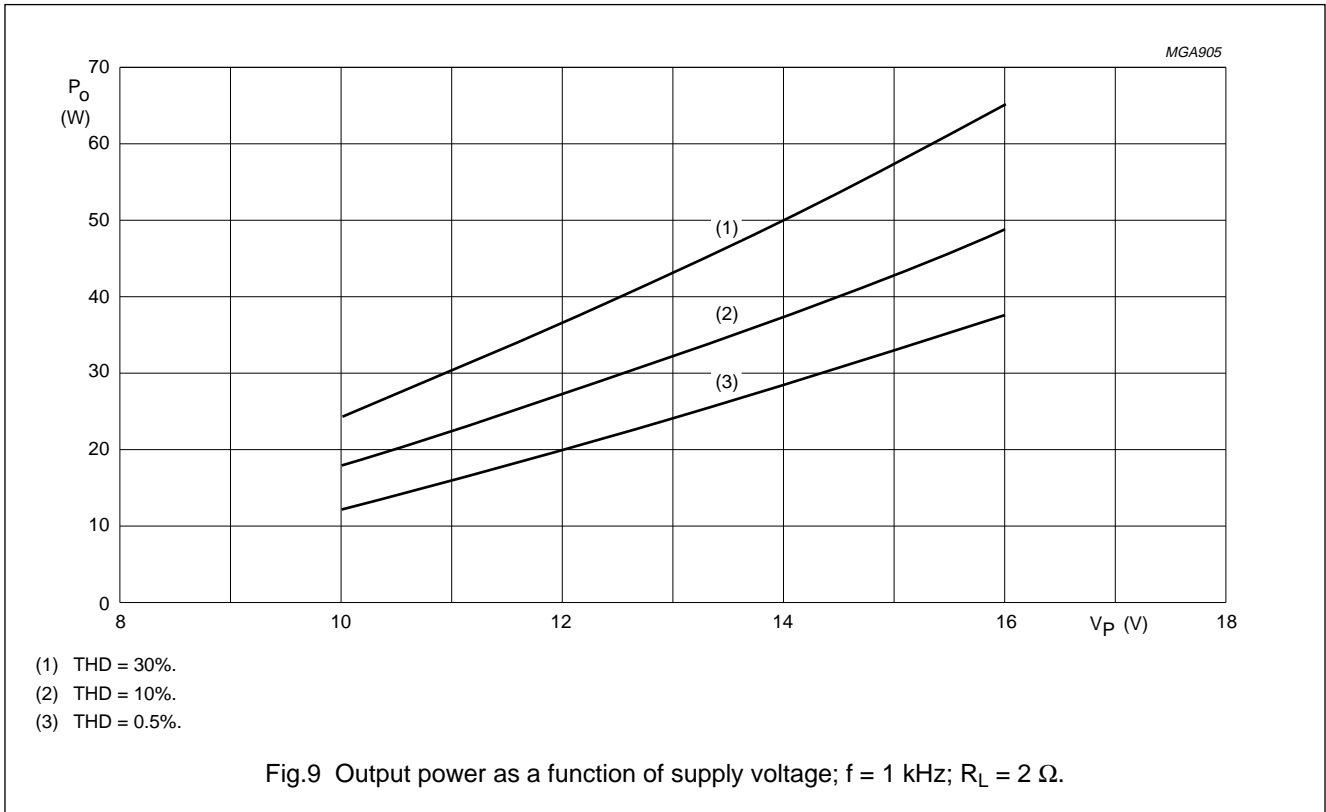


Fig.8 Total harmonic distortion as a function of output power;  $V_p = 14.4\text{ V}$ ;  $R_L = 2\ \Omega$ .

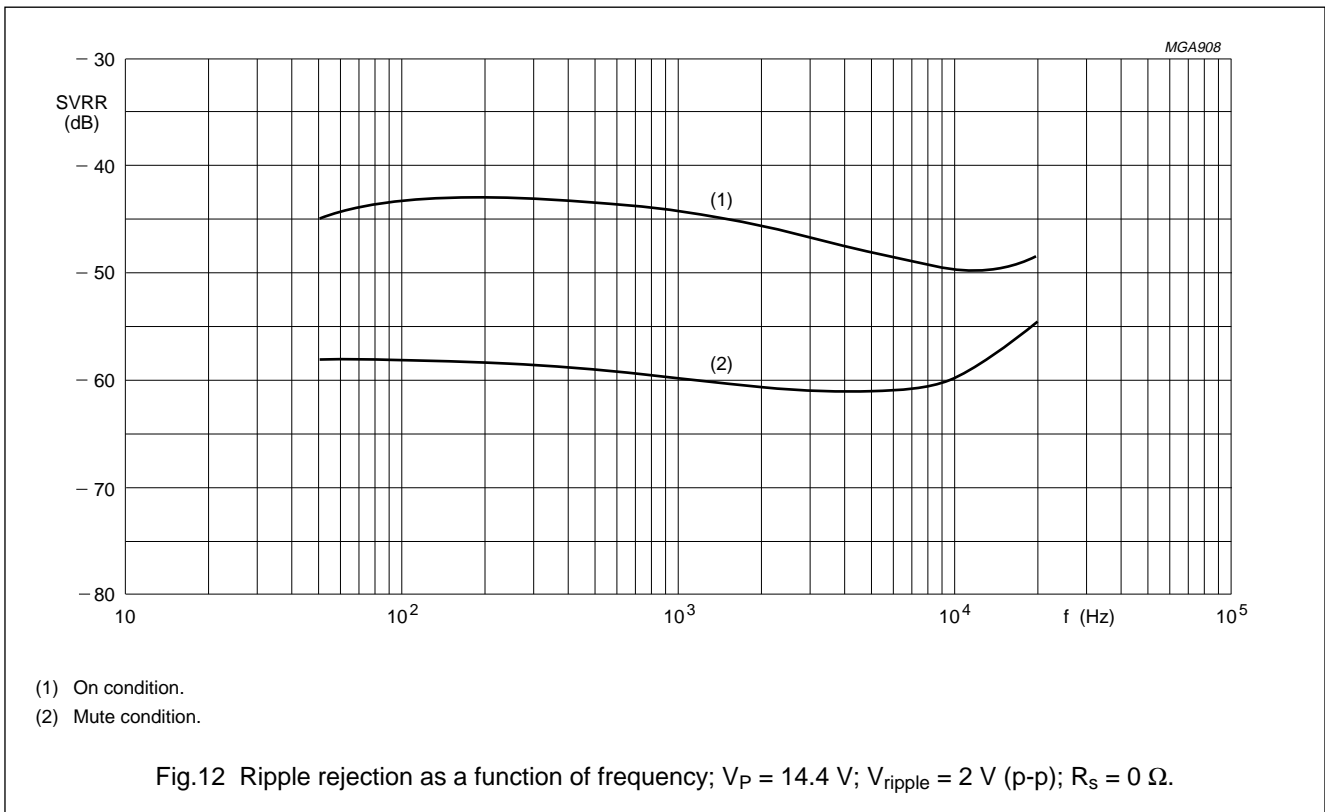
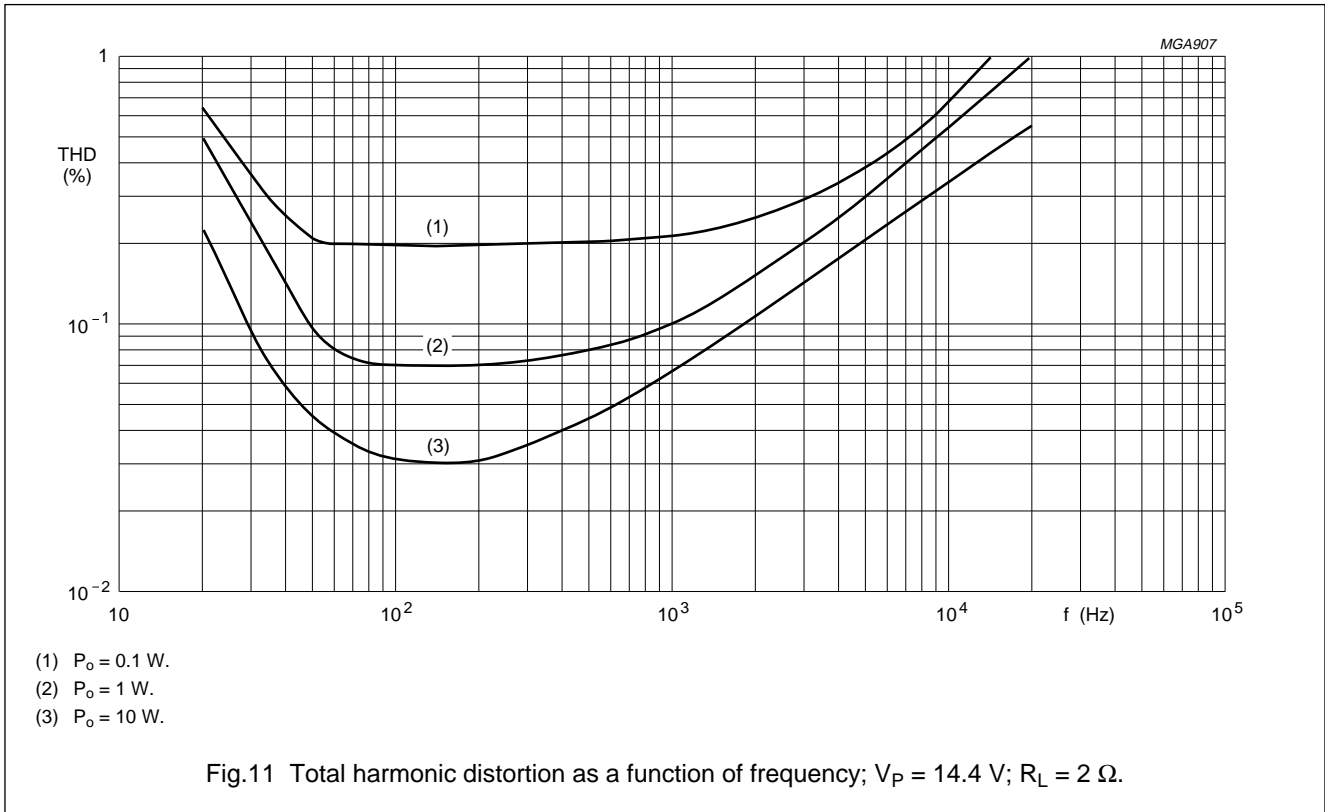
**2 × 40 W/2 Ω stereo BTL car radio  
power amplifier with diagnostic facility**

**TDA8560Q**



**2 × 40 W/2 Ω stereo BTL car radio  
power amplifier with diagnostic facility**

**TDA8560Q**



**2 × 40 W/2 Ω stereo BTL car radio  
power amplifier with diagnostic facility**

**TDA8560Q**

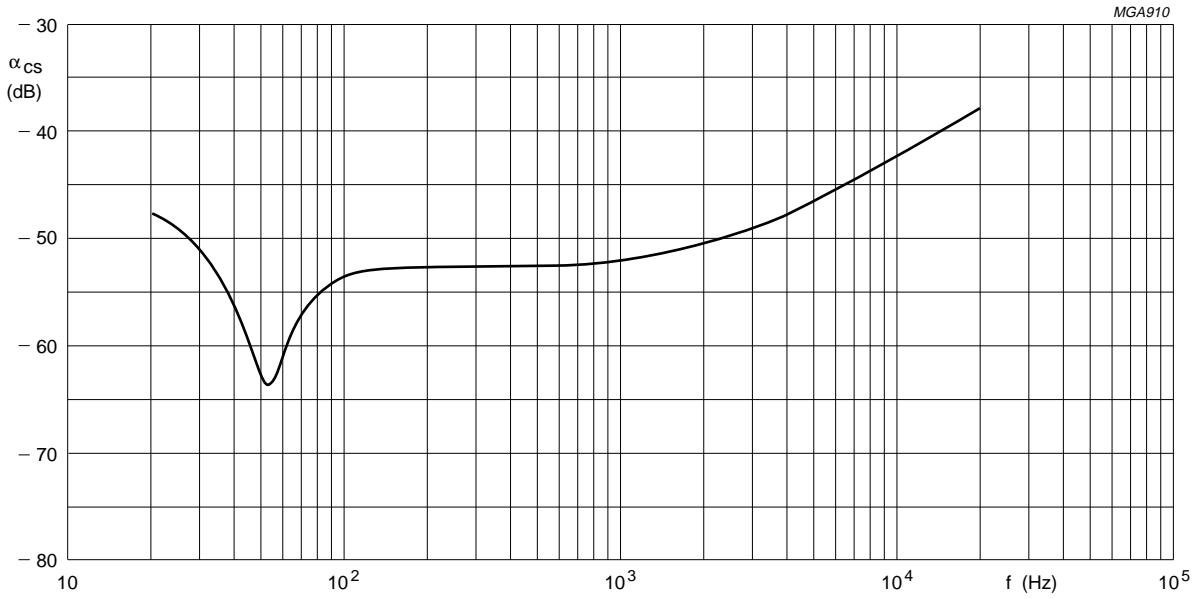


Fig.13 Channel separation as a function of frequency;  $V_P = 14.4$  V;  $P_o = 25$  W;  $R_L = 2 \Omega$ ;  $R_s = 10$  kΩ.

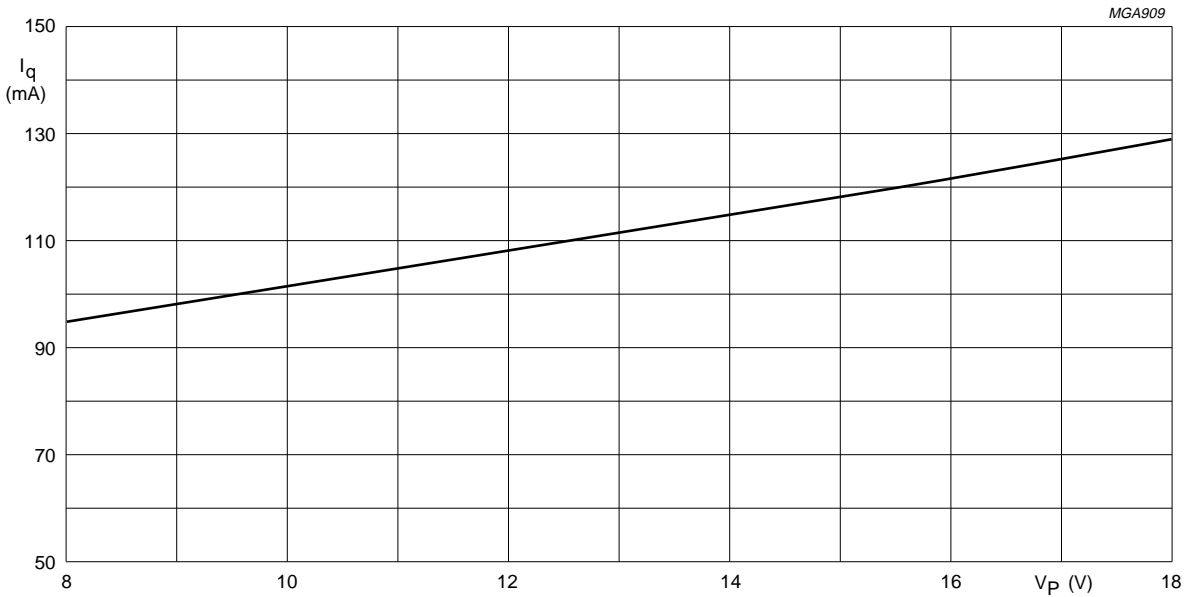


Fig.14 Quiescent current as a function of supply voltage;  $R_L = \infty$ .

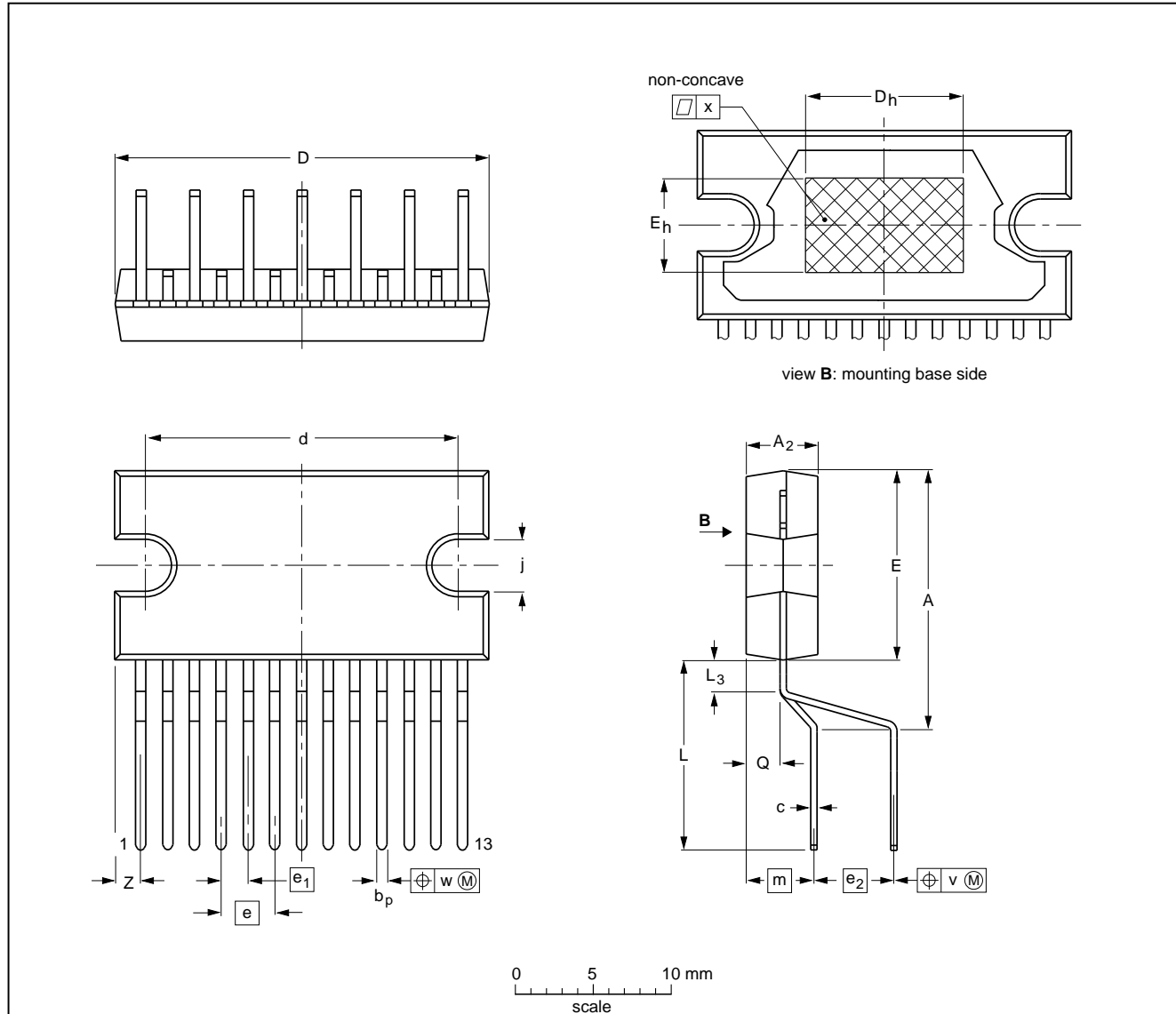
**2 × 40 W/2 Ω stereo BTL car radio  
power amplifier with diagnostic facility**

**TDA8560Q**

**PACKAGE OUTLINE**

**DBS13P: plastic DIL-bent-SIL power package; 13 leads (lead length 12 mm)**

**SOT141-6**



**DIMENSIONS (mm are the original dimensions)**

| UNIT | A            | A <sub>2</sub> | b <sub>p</sub> | c            | D <sup>(1)</sup> | d            | D <sub>h</sub> | E <sup>(1)</sup> | e   | e <sub>1</sub> | e <sub>2</sub> | E <sub>h</sub> | j          | L            | L <sub>3</sub> | m   | Q          | v   | w    | x    | Z <sup>(1)</sup> |
|------|--------------|----------------|----------------|--------------|------------------|--------------|----------------|------------------|-----|----------------|----------------|----------------|------------|--------------|----------------|-----|------------|-----|------|------|------------------|
| mm   | 17.0<br>15.5 | 4.6<br>4.2     | 0.75<br>0.60   | 0.48<br>0.38 | 24.0<br>23.6     | 20.0<br>19.6 | 10             | 12.2<br>11.8     | 3.4 | 1.7            | 5.08           | 6              | 3.4<br>3.1 | 12.4<br>11.0 | 2.4<br>1.6     | 4.3 | 2.1<br>1.8 | 0.8 | 0.25 | 0.03 | 2.00<br>1.45     |

**Note**

1. Plastic or metal protrusions of 0.25 mm maximum per side are not included.

| OUTLINE VERSION | REFERENCES |       |      | EUROPEAN PROJECTION | ISSUE DATE           |
|-----------------|------------|-------|------|---------------------|----------------------|
|                 | IEC        | JEDEC | EIAJ |                     |                      |
| SOT141-6        |            |       |      |                     | 92-11-17<br>95-03-11 |

## 2 × 40 W/2 Ω stereo BTL car radio power amplifier with diagnostic facility

TDA8560Q

### SOLDERING

#### Introduction

There is no soldering method that is ideal for all IC packages. Wave soldering is often preferred when through-hole and surface mounted components are mixed on one printed-circuit board. However, wave soldering is not always suitable for surface mounted ICs, or for printed-circuits with high population densities. In these situations reflow soldering is often used.

This text gives a very brief insight to a complex technology. A more in-depth account of soldering ICs can be found in our "IC Package Databook" (order code 9398 652 90011).

#### Soldering by dipping or by wave

The maximum permissible temperature of the solder is 260 °C; solder at this temperature must not be in contact with the joint for more than 5 seconds. The total contact time of successive solder waves must not exceed 5 seconds.

### DEFINITIONS

| Data sheet status   |   |
|---|---|
| Objective specification   | This data sheet contains target or goal specifications for product development.       |
| Preliminary specification   | This data sheet contains preliminary data; supplementary data may be published later. |
| Product specification   | This data sheet contains final product specifications.                                |
| Limiting values   |   |
| Limiting values given are in accordance with the Absolute Maximum Rating System (IEC 134). Stress above one or more of the limiting values may cause permanent damage to the device. These are stress ratings only and operation of the device at these or at any other conditions above those given in the Characteristics sections of the specification is not implied. Exposure to limiting values for extended periods may affect device reliability. |   |
| Application information   |   |
| Where application information is given, it is advisory and does not form part of the specification.   |   |

### LIFE SUPPORT APPLICATIONS

These products are not designed for use in life support appliances, devices, or systems where malfunction of these products can reasonably be expected to result in personal injury. Philips customers using or selling these products for use in such applications do so at their own risk and agree to fully indemnify Philips for any damages resulting from such improper use or sale.

The device may be mounted up to the seating plane, but the temperature of the plastic body must not exceed the specified maximum storage temperature ( $T_{stg\ max}$ ). If the printed-circuit board has been pre-heated, forced cooling may be necessary immediately after soldering to keep the temperature within the permissible limit.

#### Repairing soldered joints

Apply a low voltage soldering iron (less than 24 V) to the lead(s) of the package, below the seating plane or not more than 2 mm above it. If the temperature of the soldering iron bit is less than 300 °C it may remain in contact for up to 10 seconds. If the bit temperature is between 300 and 400 °C, contact may be up to 5 seconds.