

TDA8566

2 × 40 W/2 Ω stereo BTL car radio power amplifier with differential inputs and diagnostic outputs

Rev. 06 — 15 October 2007

Product data sheet

1. General description

The TDA8566 is an integrated class-B output amplifier which is available in several packages. TDA8566TH is contained in a 20-lead small outline plastic package. The TDA8566TH1 is a 24-lead small outline plastic package which is pin compatible with the I²C-bus controlled amplifier TDA1566TH for one board layout. TDA8566Q is a 17-pin DIL-bent-SIL package.

The device contains 2 amplifiers in a Bridge-Tied Load (BTL) configuration. The output power is 2 × 25 W in a 4 Ω load or 2 × 40 W in a 2 Ω load. It has a differential input stage and 2 diagnostic outputs. The device is primarily developed for car radio applications.

2. Features

- Differential inputs
- Very high Common Mode Rejection Ratio (CMRR)
- High common mode input signal handling
- Requires very few external components
- High output power
- 4 Ω and 2 Ω load driving capability
- Low offset voltage at output
- Fixed gain
- Diagnostic facility (distortion, short-circuit and temperature pre-warning)
- Good ripple rejection
- Mode select switch (operating, mute and standby)
- Load dump protection
- Short-circuit proof to ground, to V_P and across the load
- Low power dissipation in any short-circuit condition
- Thermally protected
- Reverse polarity safe
- Protected against electrostatic discharge
- No switch-on/switch-off plops
- Low thermal resistance
- TDA8566TH1 is pin compatible with TDA1566TH

3. Quick reference data

Table 1. Quick reference data

$V_P = 14.4\text{ V}$; $T_{amb} = 25\text{ °C}$; $f_i = 1\text{ kHz}$; measured in test circuit of [Figure 9](#); unless otherwise specified.

| Symbol | Parameter | Conditions | Min | Typ | Max | Unit |
|---------------|---------------------------------|--|--------|------|-----|------------------|
| V_P | supply voltage | | [1] 6 | 14.4 | 18 | V |
| I_{ORM} | repetitive peak output current | | - | - | 7.5 | A |
| I_q | quiescent current | $R_L = \infty\ \Omega$ | - | 115 | 180 | mA |
| I_{stb} | standby current | | - | 0.1 | 10 | μA |
| Z_i | input impedance | differential | 100 | 120 | 150 | $\text{k}\Omega$ |
| P_o | output power | $R_L = 4\ \Omega$; THD = 10 % | 21 | 25 | - | W |
| | | $R_L = 2\ \Omega$; THD = 10 % | 33 | 40 | - | W |
| SVRR | supply voltage ripple rejection | operating | [2] 50 | 60 | - | dB |
| α_{cs} | channel separation | $P_o = 25\text{ W}$; $R_s = 10\ \text{k}\Omega$ | 45 | 50 | - | dB |
| CMRR | common mode rejection ratio | $R_s = 0\ \Omega$ | [3] 60 | 75 | - | dB |
| G_v | closed loop voltage gain | | 25 | 26 | 27 | dB |
| $V_{n(o)}$ | noise output voltage | operating; $R_s = 0\ \Omega$ | [4] - | 85 | 120 | μV |

[1] The circuit is DC adjusted at $V_P = 6\text{ V}$ to 18 V and AC operating at $V_P = 8.5\text{ V}$ to 18 V .

[2] $V_{ripple} = V_{ripple(max)} = 2\text{ V}$ (p-p); $R_s = 0\ \Omega$.

[3] Common mode rejection ratio measured at the output (over R_L) with both inputs tied together; $V_{common} \leq 3.5\text{ V}$ (RMS); $f_i = 100\text{ Hz}$ to 10 kHz ; $R_s = 0\ \Omega$.

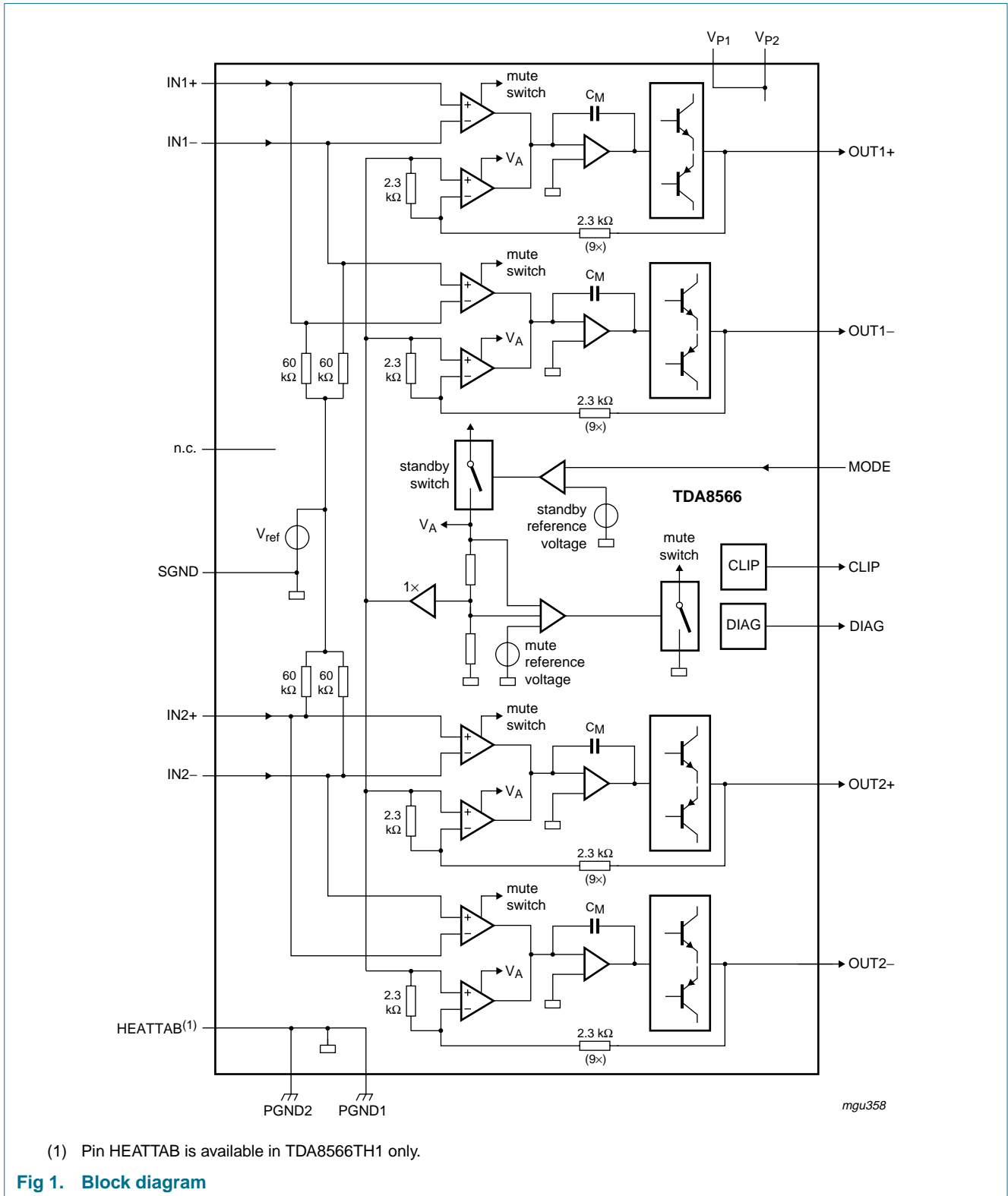
[4] Noise measured in a bandwidth of 20 Hz to 20 kHz .

4. Ordering information

Table 2. Ordering information

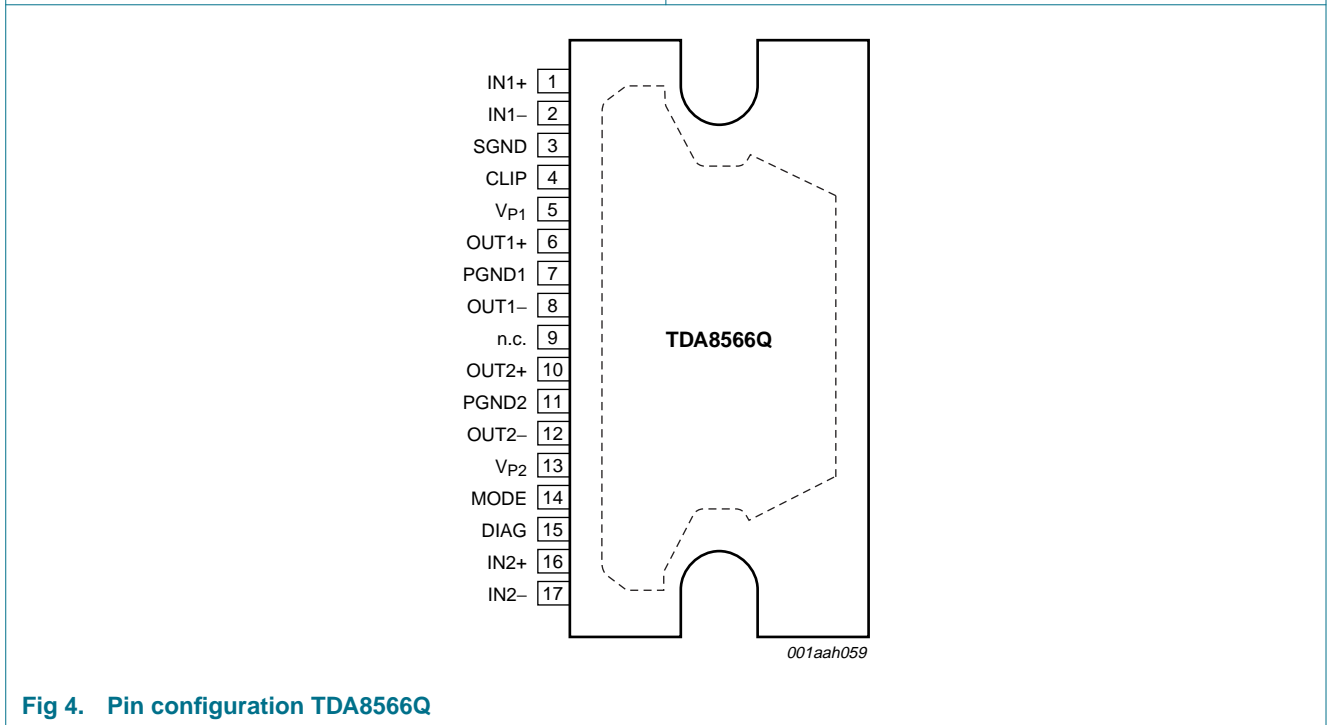
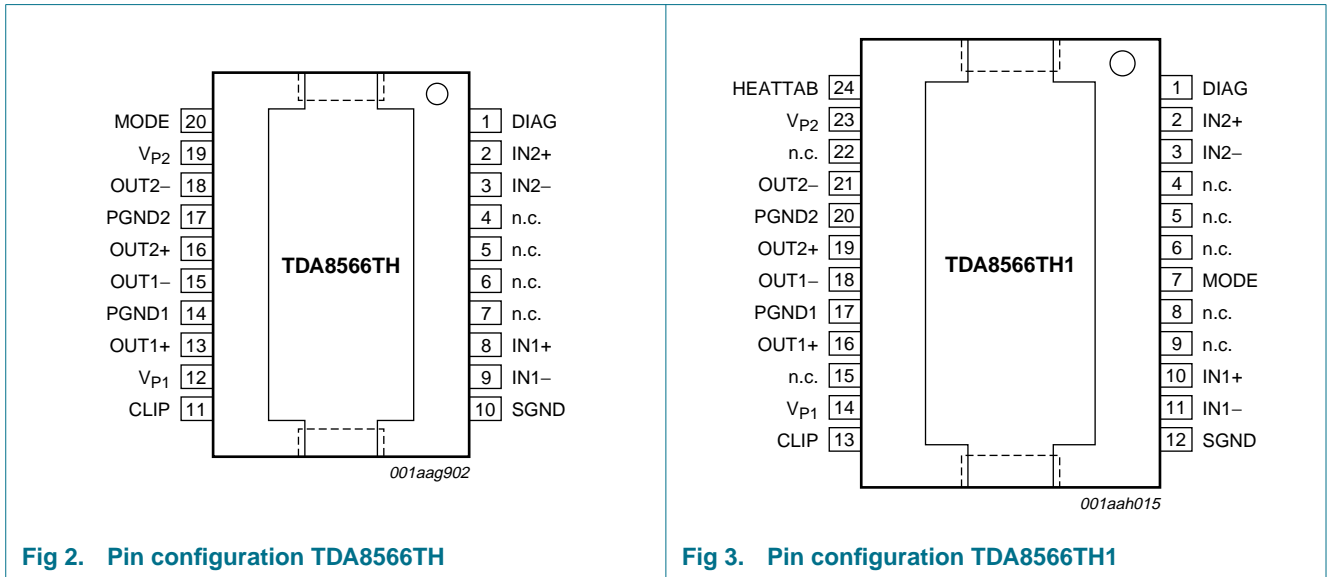
| Type number | Package | | Version |
|-------------|---------|---|----------|
| | Name | Description | |
| TDA8566TH | HSOP20 | plastic, heatsink small outline package; 20 leads; low stand-off height | SOT418-3 |
| TDA8566TH1 | HSOP24 | plastic, heatsink small outline package; 24 leads; low stand-off height | SOT566-3 |
| TDA8566Q | DBS17P | plastic DIL-bent-SIL power package; 17 leads (lead length 12 mm) | SOT243-1 |

5. Block diagram



6. Pinning information

6.1 Pinning



6.2 Pin description

Table 3. Pin description TDA8566TH and TDA8566TH1

| Symbol | Pin | | Description |
|-----------------|-----------|------------|---|
| | TDA8566TH | TDA8566TH1 | |
| DIAG | 1 | 1 | short-circuit and temperature pre-warning diagnostic output |
| IN2+ | 2 | 2 | channel 2 input positive |
| IN2– | 3 | 3 | channel 2 input negative |
| n.c. | 4 | 4 | not connected |
| n.c. | 5 | 5 | not connected |
| n.c. | 6 | 6 | not connected |
| n.c. | 7 | - | not connected |
| n.c. | - | 8 | not connected |
| n.c. | - | 9 | not connected |
| IN1+ | 8 | 10 | channel 1 input positive |
| IN1– | 9 | 11 | channel 1 input negative |
| SGND | 10 | 12 | signal ground |
| CLIP | 11 | 13 | clip detection output |
| V _{P1} | 12 | 14 | supply voltage 1 |
| n.c. | - | 15 | not connected |
| OUT1+ | 13 | 16 | channel 1 output positive |
| PGND1 | 14 | 17 | power ground 1 |
| OUT1– | 15 | 18 | channel 1 output negative |
| n.c. | - | - | not connected |
| OUT2+ | 16 | 19 | channel 2 output positive |
| PGND2 | 17 | 20 | power ground 2 |
| OUT2– | 18 | 21 | channel 2 output negative |
| n.c. | - | 22 | not connected |
| V _{P2} | 19 | 23 | supply voltage 2 |
| MODE | 20 | 7 | mode select switch input (standby/mute/operating) |
| HEATTAB | - | 24 | connect to ground, used for test purposes only |

Table 4. Pin description TDA8566Q

| Symbol | Pin | Description |
|-----------------|-----|---------------------------|
| IN1+ | 1 | channel 1 input positive |
| IN1– | 2 | channel 1 input negative |
| SGND | 3 | signal ground |
| CLIP | 4 | clip detection output |
| V _{P1} | 5 | supply voltage 1 |
| OUT1+ | 6 | channel 1 output positive |
| PGND1 | 7 | power ground 1 |
| OUT1– | 8 | channel 1 output negative |
| n.c. | 9 | not connected |

Table 4. Pin description TDA8566Q ...continued

| Symbol | Pin | Description |
|-----------------|-----|---|
| OUT2+ | 10 | channel 2 output positive |
| PGND2 | 11 | power ground 2 |
| OUT2- | 12 | channel 2 output negative |
| V _{P2} | 13 | supply voltage 2 |
| MODE | 14 | mode select switch input (standby/mute/operating) |
| DIAG | 15 | short-circuit and temperature pre-warning diagnostic output |
| IN2+ | 16 | channel 2 input positive |
| IN2- | 17 | channel 2 input negative |

7. Functional description

The TDA8566 contains 2 identical amplifiers and can be used for BTL applications. The gain of each amplifier is fixed at 26 dB. Special features of this device are:

- Mode select switch
- Clip detection
- Short-circuit diagnostic
- Temperature pre-warning
- Open-collector diagnostic outputs
- Differential inputs

7.1 Mode select switch (pin MODE)

- Standby: low supply current
- Mute: input signal suppressed
- Operating: normal on condition

Since this pin has a very low input current (< 40 μA), a low-cost supply switch can be applied. To avoid switch-on plops, it is advisable to keep the amplifier in the mute mode for a period of ≥ 150 ms (charging the input capacitors at pins IN1+, IN1-, IN2+ and IN2-). This can be realized by using a microcontroller or by using an external timing circuit as illustrated in [Figure 8](#).

7.2 Clip detection (pin CLIP)

When clipping occurs at one or more output stages, the dynamic distortion detector becomes active and pin CLIP goes LOW. This information can be used to drive a sound processor or a DC volume control to attenuate the input signal and so limit the level of distortion. The output level of pin CLIP is independent of the number of channels that are being clipped. The clip detection circuit is disabled in a short-circuit condition, so if a fault condition occurs at the outputs, pin CLIP will remain at a HIGH level. The clip detection waveforms are illustrated in [Figure 5](#).

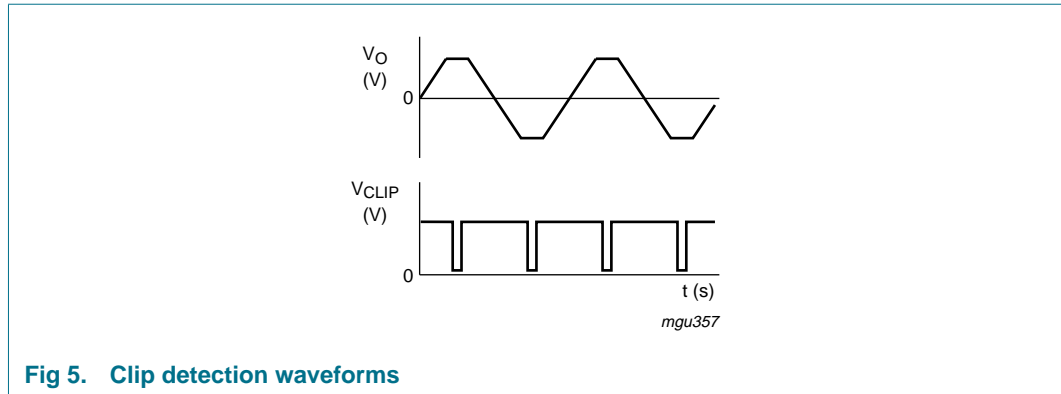


Fig 5. Clip detection waveforms

7.3 Short-circuit diagnostic (pin DIAG)

When a short-circuit occurs at one or more outputs to ground or to the supply voltage, the output stages are switched off until the short-circuit is removed and the device is switched on again (with a delay of approximately 20 ms after the removal of the short-circuit). During this short-circuit condition, pin DIAG is continuously LOW.

When a short-circuit occurs across the load of one or both channels, the output stages are switched off for approximately 20 ms. After that time the load condition is checked during approximately 50 μs to see whether the short-circuit is still present. Due to this duty cycle of 50 μs/20 ms the average current consumption during the short-circuit condition is very low (approximately 40 mA). During this condition, pin DIAG is LOW for 20 ms and HIGH for 50 μs; see Figure 6. The power dissipation in any short-circuit condition is very low.

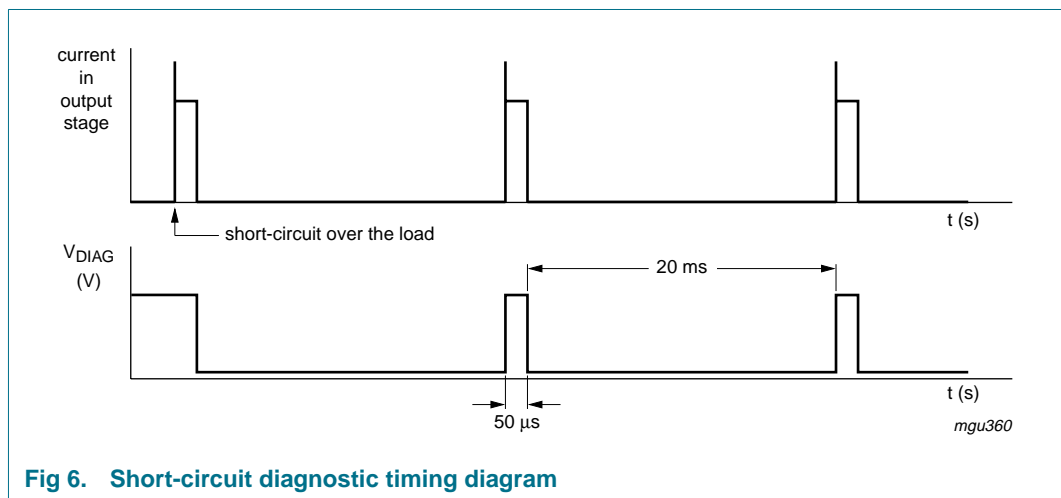


Fig 6. Short-circuit diagnostic timing diagram

7.4 Temperature pre-warning (pin DIAG)

When the virtual junction temperature (T_{vj}) reaches 145 °C, pin DIAG will become continuously LOW.

7.5 Open-collector diagnostic outputs

Pins DIAG and CLIP are open-collector outputs, therefore more devices can be tied together. Pins DIAG and CLIP can also be tied together. An external pull-up resistor is required.

7.6 Differential inputs

The input stage is a high-impedance fully differential balanced input stage that is also capable of operating in a single-ended mode with one of the inputs capacitively coupled to an audio ground. It should be noted that if a source resistance is added (input voltage dividers) the CMRR degrades to lower values.

8. Limiting values

Table 5. Limiting values

In accordance with the Absolute Maximum Rating System (IEC 60134).

| Symbol | Parameter | Conditions | Min | Max | Unit |
|------------------|------------------------------------|--|-----|------|------|
| V _P | supply voltage | operating | - | 18 | V |
| | | non-operating | - | 30 | V |
| | | load dump protection; during 50 ms; t _r ≥ 2.5 ms | - | 45 | V |
| I _{OSM} | non-repetitive peak output current | | - | 10 | A |
| I _{ORM} | repetitive peak output current | | - | 7.5 | A |
| T _{stg} | storage temperature | | -55 | +150 | °C |
| T _{vj} | virtual junction temperature | | - | 150 | °C |
| T _{amb} | ambient temperature | | -40 | +85 | °C |
| V _{psc} | short-circuit safe voltage | | - | 18 | V |
| V _{rp} | reverse polarity voltage | | - | 6.0 | V |
| P _{tot} | total power dissipation | | - | 60 | W |

9. Thermal characteristics

Table 6. Thermal characteristics

Thermal characteristics in accordance with IEC 60747-1.

| Symbol | Parameter | Conditions | Typ | Unit |
|----------------------|---|------------------------------|-----|------|
| R _{th(j-c)} | thermal resistance from junction to case | see Figure 7 | 1.3 | K/W |
| R _{th(j-a)} | thermal resistance from junction to ambient | in free air | 40 | K/W |

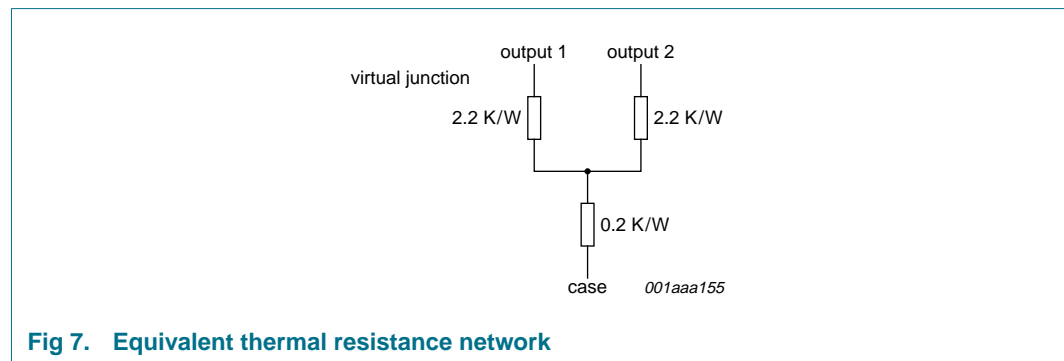


Fig 7. Equivalent thermal resistance network

10. Static characteristics

Table 7. Static characteristics

$V_P = 14.4\text{ V}$; $T_{amb} = 25\text{ °C}$; measured in test circuit of [Figure 9](#); unless otherwise specified.

| Symbol | Parameter | Conditions | Min | Typ | Max | Unit |
|----------------------------|----------------------------------|-------------------------------------|-------|------|-------|---------------|
| Supply | | | | | | |
| V_P | supply voltage | | [1] 6 | 14.4 | 18 | V |
| I_q | quiescent current | $R_L = \infty\ \Omega$ | - | 115 | 180 | mA |
| Operating condition | | | | | | |
| V_{MODE} | mode select switch level | | 8.5 | - | V_P | V |
| I_{MODE} | mode select switch current | $V_{MODE} = 14.4\text{ V}$ | - | 15 | 40 | μA |
| V_O | output voltage | | [2] - | 7.0 | - | V |
| V_{OO} | output offset voltage | | - | - | 100 | mV |
| Mute condition | | | | | | |
| V_{MODE} | mode select switch level | | 3.3 | - | 6.4 | V |
| V_O | output voltage | | [2] - | 7.0 | - | V |
| V_{OO} | output offset voltage | | - | - | 60 | mV |
| ΔV_{OO} | output offset voltage difference | with respect to operating condition | - | - | 60 | mV |
| Standby condition | | | | | | |
| V_{MODE} | mode select switch level | | 0 | - | 2 | V |
| I_{stb} | standby current | | - | 0.1 | 10 | μA |
| Diagnostic | | | | | | |
| V_{DIAG} | diagnostic output voltage | during any fault condition | - | - | 0.6 | V |

[1] The circuit is DC adjusted at $V_P = 6\text{ V}$ to 18 V and AC operating at $V_P = 8.5\text{ V}$ to 18 V .

[2] At $V_P = 18\text{ V}$ to 30 V the DC output voltage is $\leq 0.5V_P$.

11. Dynamic characteristics

Table 8. Dynamic characteristics

$V_P = 14.4\text{ V}$; $T_{amb} = 25\text{ °C}$; $R_L = 2\text{ Ω}$; $f_i = 1\text{ kHz}$; measured in test circuit of [Figure 9](#); unless otherwise specified.

| Symbol | Parameter | Conditions | Min | Typ | Max | Unit | |
|--------------------|---------------------------------|---|-----|-------------|-----|------|----|
| P _o | output power | THD = 0.5 % | 25 | 30 | - | W | |
| | | THD = 10 % | 33 | 40 | - | W | |
| | | THD = 30 % | 45 | 55 | - | W | |
| | | V _P = 13.5 V; THD = 0.5 % | - | 25 | - | W | |
| | | V _P = 13.5 V; THD = 10 % | - | 35 | - | W | |
| | | THD = 0.5 %; R _L = 4 Ω | 16 | 19 | - | W | |
| | | THD = 10 %; R _L = 4 Ω | 21 | 25 | - | W | |
| | | THD = 30 %; R _L = 4 Ω | 28 | 35 | - | W | |
| | | V _P = 13.5 V; THD = 0.5 %; R _L = 4 Ω | - | 14 | - | W | |
| | | V _P = 13.5 V; THD = 10 %; R _L = 4 Ω | - | 22 | - | W | |
| THD | total harmonic distortion | P _o = 1 W | - | 0.1 | - | % | |
| | | V _{CLIP} = 0.6 V | [1] | 8 | - | % | |
| | | P _o = 1 W; R _L = 4 Ω | - | 0.05 | - | % | |
| B | power bandwidth | THD = 0.5 %; P _o = -1 dB with respect to 25 W | - | 20 to 20000 | - | Hz | |
| f _{ro(l)} | low frequency roll off | -1 dB | [2] | 25 | - | Hz | |
| f _{ro(h)} | high frequency roll off | -1 dB | 20 | - | - | kHz | |
| G _v | closed loop voltage gain | | 25 | 26 | 27 | dB | |
| SVRR | supply voltage ripple rejection | operating | [3] | 50 | 60 | - | dB |
| | | mute | [3] | 50 | - | - | dB |
| | | standby | [3] | 80 | - | - | dB |
| Z _i | input impedance | differential | 100 | 120 | 150 | kΩ | |
| | | single-ended | 50 | 60 | 75 | kΩ | |
| \ΔZ _i | input impedance mismatch | | - | 2 | - | % | |
| V _{n(o)} | noise output voltage | operating; R _s = 0 Ω | [4] | - | 85 | 120 | μV |
| | | operating; R _s = 10 kΩ | [4] | - | 100 | - | μV |
| | | mute; independent of R _s | [4] | - | 60 | - | μV |
| α _{cs} | channel separation | P _o = 25 W; R _s = 10 kΩ | 45 | 50 | - | dB | |
| \ΔG _v | channel unbalance | | - | - | 1 | dB | |

Table 8. Dynamic characteristics ...continued

$V_P = 14.4\text{ V}$; $T_{amb} = 25\text{ °C}$; $R_L = 2\text{ Ω}$; $f_i = 1\text{ kHz}$; measured in test circuit of [Figure 9](#); unless otherwise specified.

| Symbol | Parameter | Conditions | Min | Typ | Max | Unit |
|---------------|-------------------------------|---|--------|-----|-----|------|
| $V_{o(mute)}$ | output signal voltage in mute | $V_{in} = V_{in(max)} = 1\text{ V (RMS)}$ | - | - | 2 | mV |
| CMRR | common mode rejection ratio | $R_s = 0\text{ Ω}$ | [5] 60 | 75 | - | dB |
| | | $R_s = 45\text{ kΩ}$ | [6] 40 | - | - | dB |

- [1] Dynamic distortion detector active; pin CLIP is LOW.
- [2] Frequency response externally fixed.
- [3] $V_{ripple} = V_{ripple(max)} = 2\text{ V (p-p)}$; $R_s = 0\text{ Ω}$.
- [4] Noise measured in a bandwidth of 20 Hz to 20 kHz.
- [5] Common mode rejection ratio measured at the output (over R_L) with both inputs tied together; $V_{common} \leq 3.5\text{ V (RMS)}$; $f_i = 100\text{ Hz to }10\text{ kHz}$; $R_s = 0\text{ Ω}$.
- [6] Common mode rejection ratio measured at the output (over R_L) with both inputs tied together; $V_{common} \leq 3.5\text{ V (RMS)}$; $f_i = 1\text{ kHz}$; $R_s = 45\text{ kΩ}$. The mismatch of the input coupling capacitors is excluded.

12. Application information

12.1 Diagnostic output

Special care must be taken in the PCB layout to separate pin CLIP from pins IN1+, IN1-, IN2+ and IN2- to minimize the crosstalk between the CLIP output and the inputs.

12.2 Mode select switch

To avoid switch-on plops, it is advisable to keep the amplifier in the mute mode during $\geq 150\text{ ms}$ (charging of the input capacitors at pins IN1+, IN1-, IN2+ and IN2-). The circuit in [Figure 8](#) slowly ramps-up the voltage at the mode select switch pin when switching on and results in fast muting when switching off.

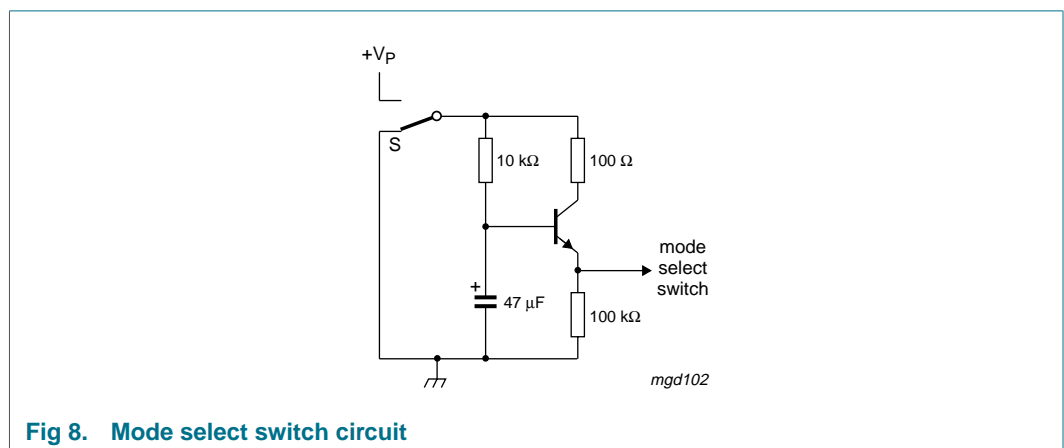


Fig 8. Mode select switch circuit

13. Test information

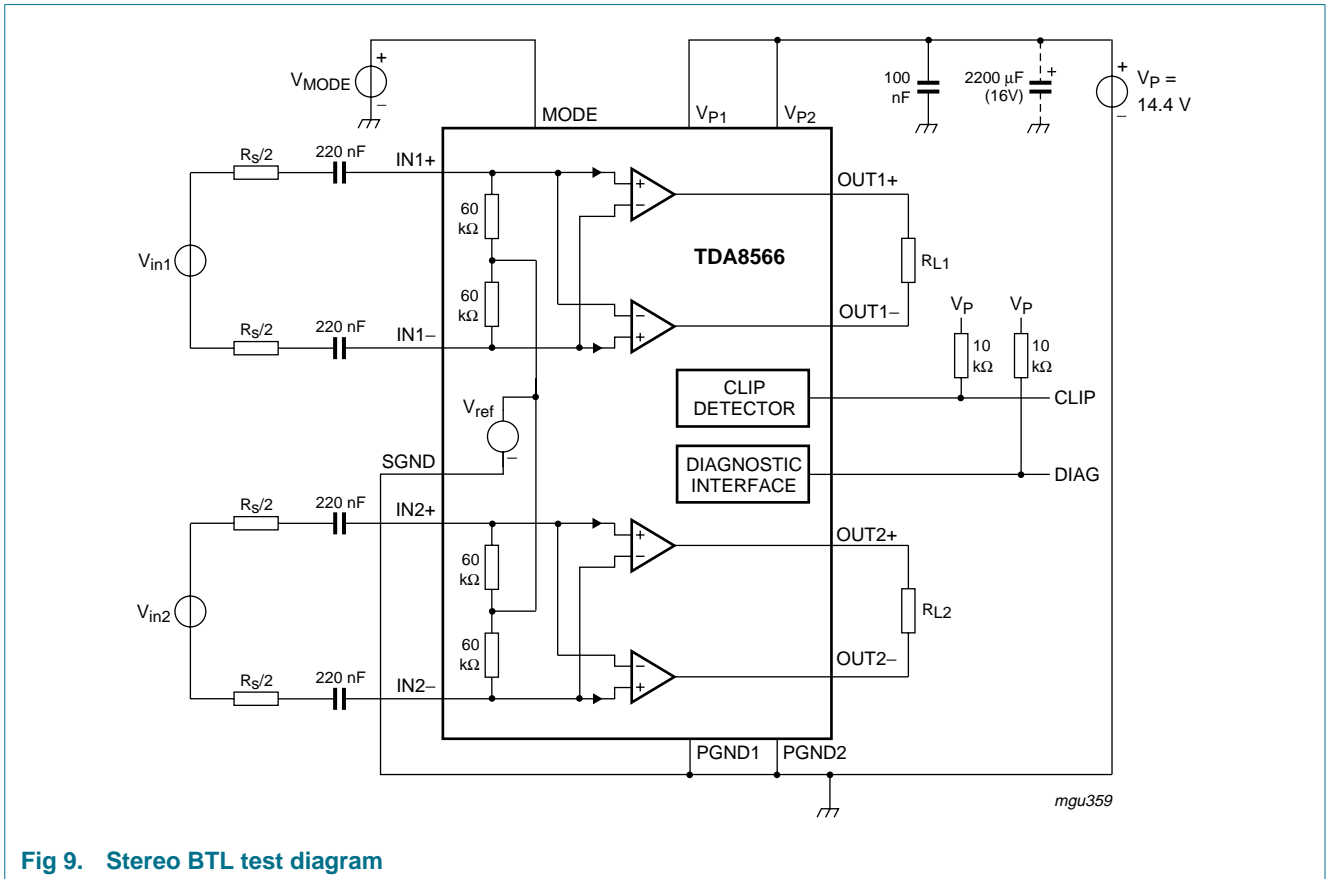


Fig 9. Stereo BTL test diagram

14. Package outline

HSOP20: plastic, heatsink small outline package; 20 leads; low stand-off height

SOT418-3

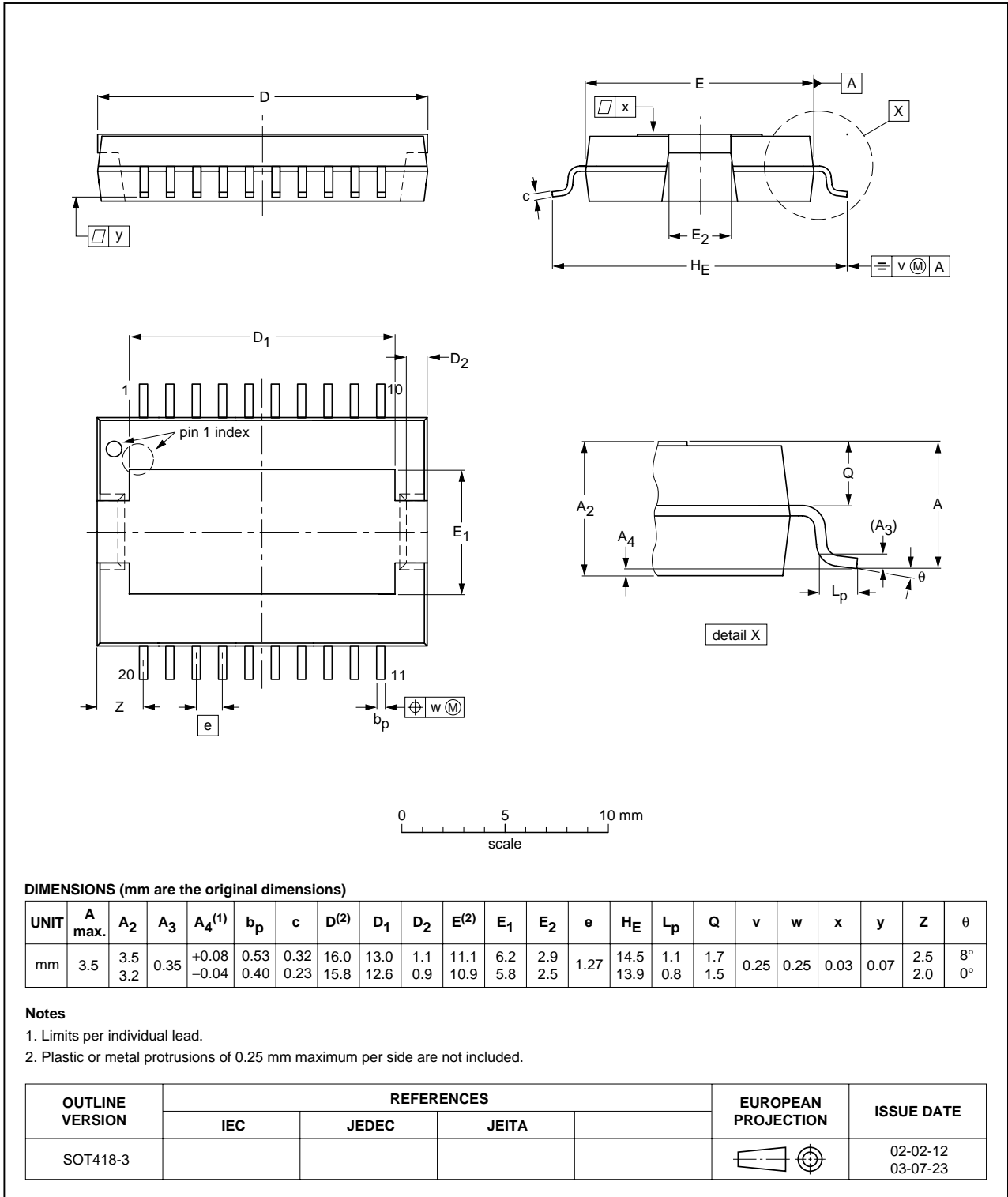


Fig 10. Package outline SOT418-3 (HSOP20)

HSOP24: plastic, heatsink small outline package; 24 leads; low stand-off height

SOT566-3

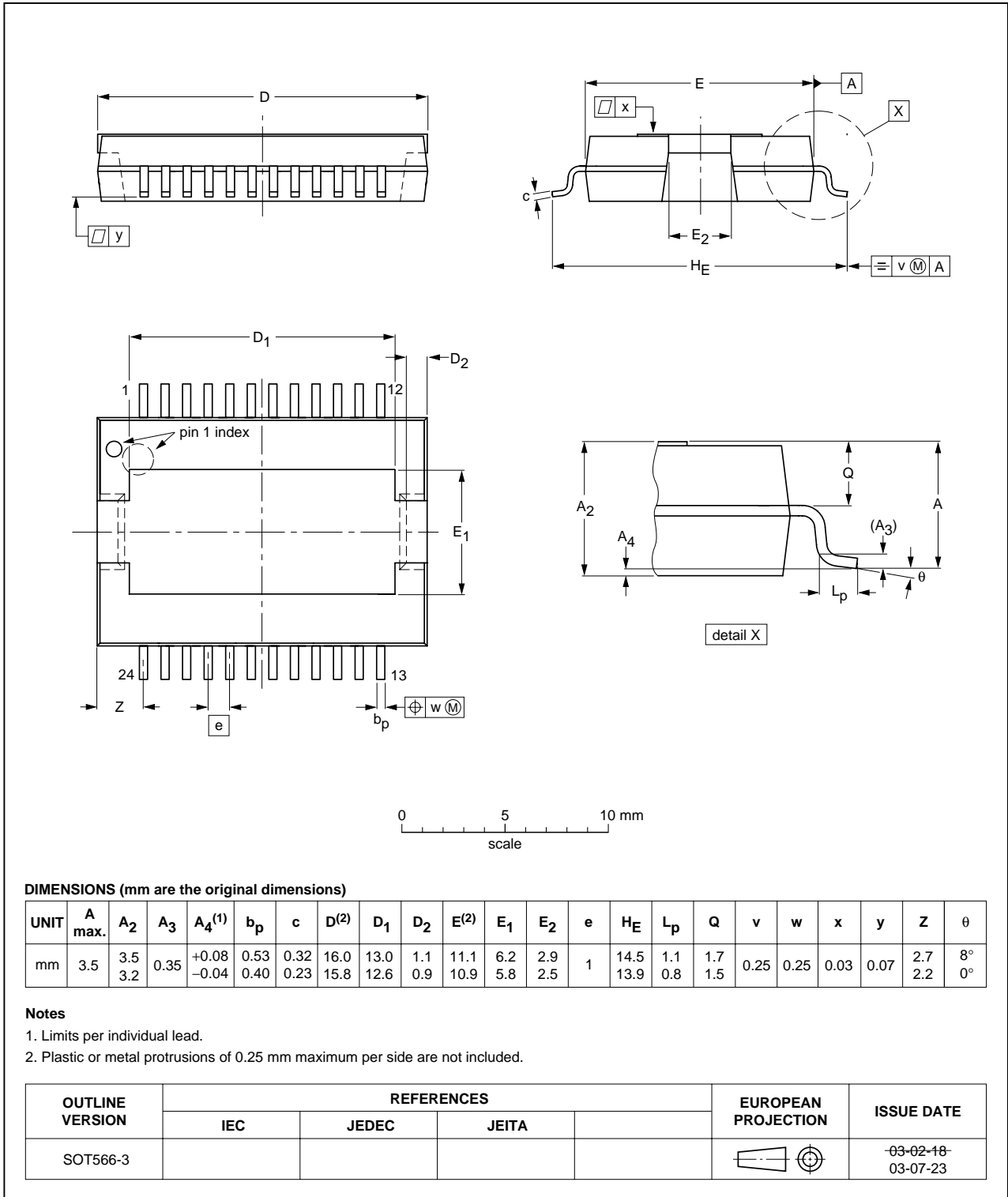


Fig 11. Package outline SOT566-3 (HSOP24)

DBS17P: plastic DIL-bent-SIL power package; 17 leads (lead length 12 mm)

SOT243-1

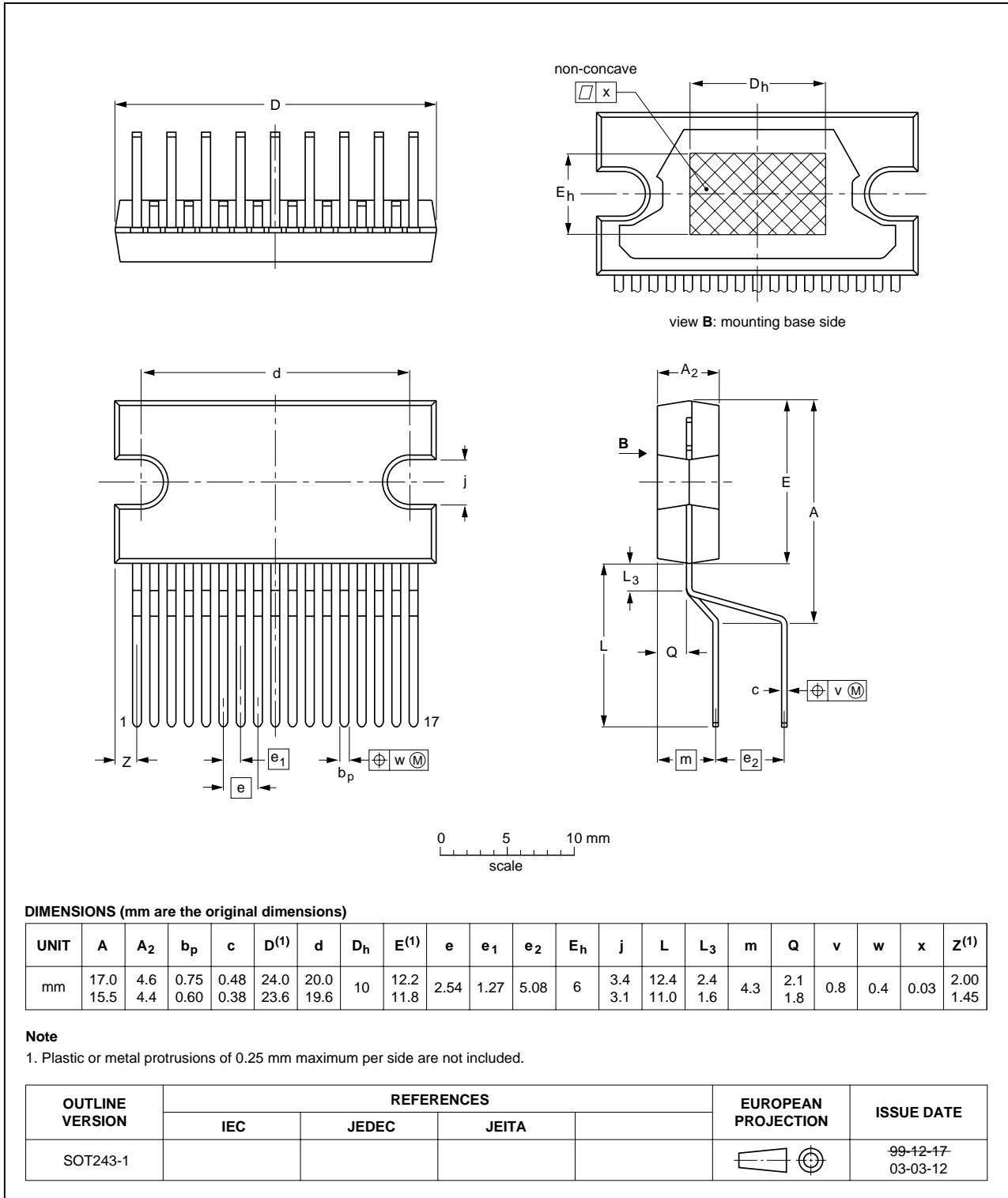


Fig 12. Package outline SOT243-1 (DBS17P)

15. Soldering

This text provides a very brief insight into a complex technology. A more in-depth account of soldering ICs can be found in Application Note *AN10365 "Surface mount reflow soldering description"*.

15.1 Introduction to soldering

Soldering is one of the most common methods through which packages are attached to Printed Circuit Boards (PCBs), to form electrical circuits. The soldered joint provides both the mechanical and the electrical connection. There is no single soldering method that is ideal for all IC packages. Wave soldering is often preferred when through-hole and Surface Mount Devices (SMDs) are mixed on one printed wiring board; however, it is not suitable for fine pitch SMDs. Reflow soldering is ideal for the small pitches and high densities that come with increased miniaturization.

15.2 Wave and reflow soldering

Wave soldering is a joining technology in which the joints are made by solder coming from a standing wave of liquid solder. The wave soldering process is suitable for the following:

- Through-hole components
- Leaded or leadless SMDs, which are glued to the surface of the printed circuit board

Not all SMDs can be wave soldered. Packages with solder balls, and some leadless packages which have solder lands underneath the body, cannot be wave soldered. Also, leaded SMDs with leads having a pitch smaller than ~0.6 mm cannot be wave soldered, due to an increased probability of bridging.

The reflow soldering process involves applying solder paste to a board, followed by component placement and exposure to a temperature profile. Leaded packages, packages with solder balls, and leadless packages are all reflow solderable.

Key characteristics in both wave and reflow soldering are:

- Board specifications, including the board finish, solder masks and vias
- Package footprints, including solder thieves and orientation
- The moisture sensitivity level of the packages
- Package placement
- Inspection and repair
- Lead-free soldering versus PbSn soldering

15.3 Wave soldering

Key characteristics in wave soldering are:

- Process issues, such as application of adhesive and flux, clinching of leads, board transport, the solder wave parameters, and the time during which components are exposed to the wave
- Solder bath specifications, including temperature and impurities

15.4 Reflow soldering

Key characteristics in reflow soldering are:

- Lead-free versus SnPb soldering; note that a lead-free reflow process usually leads to higher minimum peak temperatures (see [Figure 13](#)) than a PbSn process, thus reducing the process window
- Solder paste printing issues including smearing, release, and adjusting the process window for a mix of large and small components on one board
- Reflow temperature profile; this profile includes preheat, reflow (in which the board is heated to the peak temperature) and cooling down. It is imperative that the peak temperature is high enough for the solder to make reliable solder joints (a solder paste characteristic). In addition, the peak temperature must be low enough that the packages and/or boards are not damaged. The peak temperature of the package depends on package thickness and volume and is classified in accordance with [Table 9](#) and [10](#)

Table 9. SnPb eutectic process (from J-STD-020C)

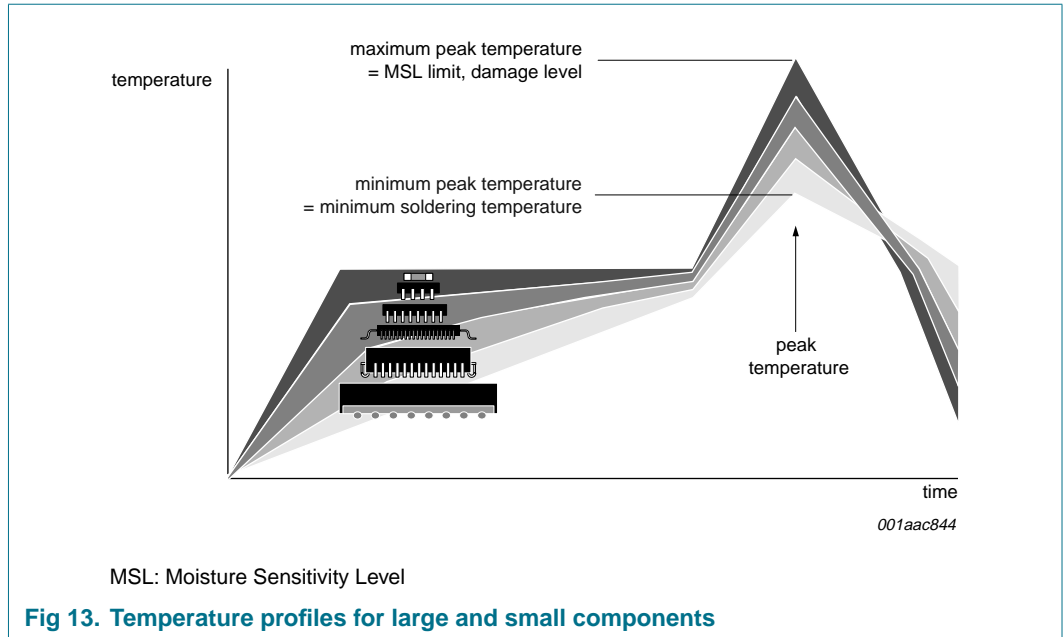
| Package thickness (mm) | Package reflow temperature (°C) | |
|------------------------|---------------------------------|-------|
| | Volume (mm ³) | |
| | < 350 | ≥ 350 |
| < 2.5 | 235 | 220 |
| ≥ 2.5 | 220 | 220 |

Table 10. Lead-free process (from J-STD-020C)

| Package thickness (mm) | Package reflow temperature (°C) | | |
|------------------------|---------------------------------|-------------|--------|
| | Volume (mm ³) | | |
| | < 350 | 350 to 2000 | > 2000 |
| < 1.6 | 260 | 260 | 260 |
| 1.6 to 2.5 | 260 | 250 | 245 |
| > 2.5 | 250 | 245 | 245 |

Moisture sensitivity precautions, as indicated on the packing, must be respected at all times.

Studies have shown that small packages reach higher temperatures during reflow soldering, see [Figure 13](#).



For further information on temperature profiles, refer to Application Note AN10365 "Surface mount reflow soldering description".

16. Revision history

Table 11. Revision history

| Document ID | Release date | Data sheet status | Change notice | Supersedes |
|----------------|--------------|--|---------------|---------------------------|
| TDA8566_6 | 20071015 | Product data sheet | - | TDA8566Q_5 TDA8566TH_2 |
| Modifications: | | <ul style="list-style-type: none"> The format of this data sheet has been redesigned to comply with the new identity guidelines of NXP Semiconductors. Legal texts have been adapted to the new company name where appropriate. Section 9 “Thermal characteristics”: changed value of $R_{th(j-c)}$ to 1.3 K/W Figure 7: values updated Included TDA8566TH1 and TDA8566Q in the data sheet | | |
| TDA8566Q_5 | 20010221 | Product specification | - | - |
| TDA8566TH_2 | 20030708 | Product specification | - | - |

17. Legal information

17.1 Data sheet status

| Document status ^{[1][2]} | Product status ^[3] | Definition |
|-----------------------------------|-------------------------------|---|
| Objective [short] data sheet | Development | This document contains data from the objective specification for product development. |
| Preliminary [short] data sheet | Qualification | This document contains data from the preliminary specification. |
| Product [short] data sheet | Production | This document contains the product specification. |

[1] Please consult the most recently issued document before initiating or completing a design.

[2] The term 'short data sheet' is explained in section "Definitions".

[3] The product status of device(s) described in this document may have changed since this document was published and may differ in case of multiple devices. The latest product status information is available on the Internet at URL <http://www.nxp.com>.

17.2 Definitions

Draft — The document is a draft version only. The content is still under internal review and subject to formal approval, which may result in modifications or additions. NXP Semiconductors does not give any representations or warranties as to the accuracy or completeness of information included herein and shall have no liability for the consequences of use of such information.

Short data sheet — A short data sheet is an extract from a full data sheet with the same product type number(s) and title. A short data sheet is intended for quick reference only and should not be relied upon to contain detailed and full information. For detailed and full information see the relevant full data sheet, which is available on request via the local NXP Semiconductors sales office. In case of any inconsistency or conflict with the short data sheet, the full data sheet shall prevail.

17.3 Disclaimers

General — Information in this document is believed to be accurate and reliable. However, NXP Semiconductors does not give any representations or warranties, expressed or implied, as to the accuracy or completeness of such information and shall have no liability for the consequences of use of such information.

Right to make changes — NXP Semiconductors reserves the right to make changes to information published in this document, including without limitation specifications and product descriptions, at any time and without notice. This document supersedes and replaces all information supplied prior to the publication hereof.

Suitability for use — NXP Semiconductors products are not designed, authorized or warranted to be suitable for use in medical, military, aircraft, space or life support equipment, nor in applications where failure or

malfunction of a NXP Semiconductors product can reasonably be expected to result in personal injury, death or severe property or environmental damage. NXP Semiconductors accepts no liability for inclusion and/or use of NXP Semiconductors products in such equipment or applications and therefore such inclusion and/or use is at the customer's own risk.

Applications — Applications that are described herein for any of these products are for illustrative purposes only. NXP Semiconductors makes no representation or warranty that such applications will be suitable for the specified use without further testing or modification.

Limiting values — Stress above one or more limiting values (as defined in the Absolute Maximum Ratings System of IEC 60134) may cause permanent damage to the device. Limiting values are stress ratings only and operation of the device at these or any other conditions above those given in the Characteristics sections of this document is not implied. Exposure to limiting values for extended periods may affect device reliability.

Terms and conditions of sale — NXP Semiconductors products are sold subject to the general terms and conditions of commercial sale, as published at <http://www.nxp.com/profile/terms>, including those pertaining to warranty, intellectual property rights infringement and limitation of liability, unless explicitly otherwise agreed to in writing by NXP Semiconductors. In case of any inconsistency or conflict between information in this document and such terms and conditions, the latter will prevail.

No offer to sell or license — Nothing in this document may be interpreted or construed as an offer to sell products that is open for acceptance or the grant, conveyance or implication of any license under any copyrights, patents or other industrial or intellectual property rights.

17.4 Trademarks

Notice: All referenced brands, product names, service names and trademarks are the property of their respective owners.

18. Contact information

For additional information, please visit: <http://www.nxp.com>

For sales office addresses, send an email to: salesaddresses@nxp.com

19. Contents

| | | |
|-----------|---|-----------|
| 1 | General description | 1 |
| 2 | Features | 1 |
| 3 | Quick reference data | 2 |
| 4 | Ordering information | 2 |
| 5 | Block diagram | 3 |
| 6 | Pinning information | 4 |
| 6.1 | Pinning | 4 |
| 6.2 | Pin description | 5 |
| 7 | Functional description | 6 |
| 7.1 | Mode select switch (pin MODE) | 6 |
| 7.2 | Clip detection (pin CLIP) | 6 |
| 7.3 | Short-circuit diagnostic (pin DIAG) | 7 |
| 7.4 | Temperature pre-warning (pin DIAG) | 7 |
| 7.5 | Open-collector diagnostic outputs | 7 |
| 7.6 | Differential inputs | 8 |
| 8 | Limiting values | 8 |
| 9 | Thermal characteristics | 8 |
| 10 | Static characteristics | 9 |
| 11 | Dynamic characteristics | 10 |
| 12 | Application information | 11 |
| 12.1 | Diagnostic output | 11 |
| 12.2 | Mode select switch | 11 |
| 13 | Test information | 12 |
| 14 | Package outline | 13 |
| 15 | Soldering | 16 |
| 15.1 | Introduction to soldering | 16 |
| 15.2 | Wave and reflow soldering | 16 |
| 15.3 | Wave soldering | 16 |
| 15.4 | Reflow soldering | 17 |
| 16 | Revision history | 19 |
| 17 | Legal information | 20 |
| 17.1 | Data sheet status | 20 |
| 17.2 | Definitions | 20 |
| 17.3 | Disclaimers | 20 |
| 17.4 | Trademarks | 20 |
| 18 | Contact information | 20 |
| 19 | Contents | 21 |

Please be aware that important notices concerning this document and the product(s) described herein, have been included in section 'Legal information'.



© NXP B.V. 2007.

All rights reserved.

For more information, please visit: <http://www.nxp.com>

For sales office addresses, please send an email to: salesaddresses@nxp.com

Date of release: 15 October 2007

Document identifier: TDA8566_6