

DATA SHEET

TDA8793

**8-bit, low-power, 3 V, 100 Msps
Analog-to-Digital Converter (ADC)**

Product specification
Supersedes data of 1999 Oct 06
File under Integrated Circuits, IC02

2000 Nov 20

8-bit, low-power, 3 V, 100 Msps Analog-to-Digital Converter (ADC)

TDA8793

FEATURES

- 8-bit low-power ADC: 180 mW (typical value)
- 2.7 to 3.6 V operation
- Track-and-hold circuit
- In track-and-hold mode: sampling rate from 70 to 100 Msps
- In non track-and-hold mode: sampling rate from 1 sps to 100 Msps
- CMOS/TTL compatible digital inputs and outputs
- Internal reference voltages
- Adjustable full-scale range possibility with external reference
- Power-down mode: 5 mW.

APPLICATIONS

- Radio communications
- Digital data storage read channels
- Medical imaging
- Digital instrumentation.

QUICK REFERENCE DATA

SYMBOL	PARAMETER	CONDITIONS	MIN.	TYP.	MAX.	UNIT
V_{CCA}	analog supply voltage		2.7	3.0	3.6	V
V_{CCD}	digital supply voltage		2.7	3.0	3.6	V
V_{CCO}	output stages supply voltage		2.7	3.0	3.6	V
I_{CCA}	analog supply current	operating	32	40	48	mA
		standby	0	2	100	μ A
I_{CCD}	digital supply current	operating	12	16	24	mA
		standby	0	0.66	1.1	mA
I_{CCO}	output stages supply current	ramp input	–	4	6.5	mA
INL	integral non-linearity	ramp input; $f_{CLK} = 2$ MHz; $V_{CCA} = V_{CCD} = 3$ V	–	± 0.85	± 1.70	LSB
DNL	differential non-linearity	ramp input; $f_{CLK} = 2$ MHz; $V_{CCA} = V_{CCD} = 3$ V	–	± 0.25	± 0.80	LSB
$f_{CLK(max)}$	maximum clock input frequency		100	–	–	MHz
P_{tot}	total power dissipation	$V_{CC} = 3$ V	–	180	–	mW

ORDERING INFORMATION

TYPE NUMBER	PACKAGE		
	NAME	DESCRIPTION	VERSION
TDA8793HL	LQFP32	plastic low profile quad flat package; 32 leads; body $5 \times 5 \times 1.4$ mm	SOT401-1

8-bit, low-power, 3 V, 100 Msp/s
Analog-to-Digital Converter (ADC)

TDA8793

BLOCK DIAGRAM

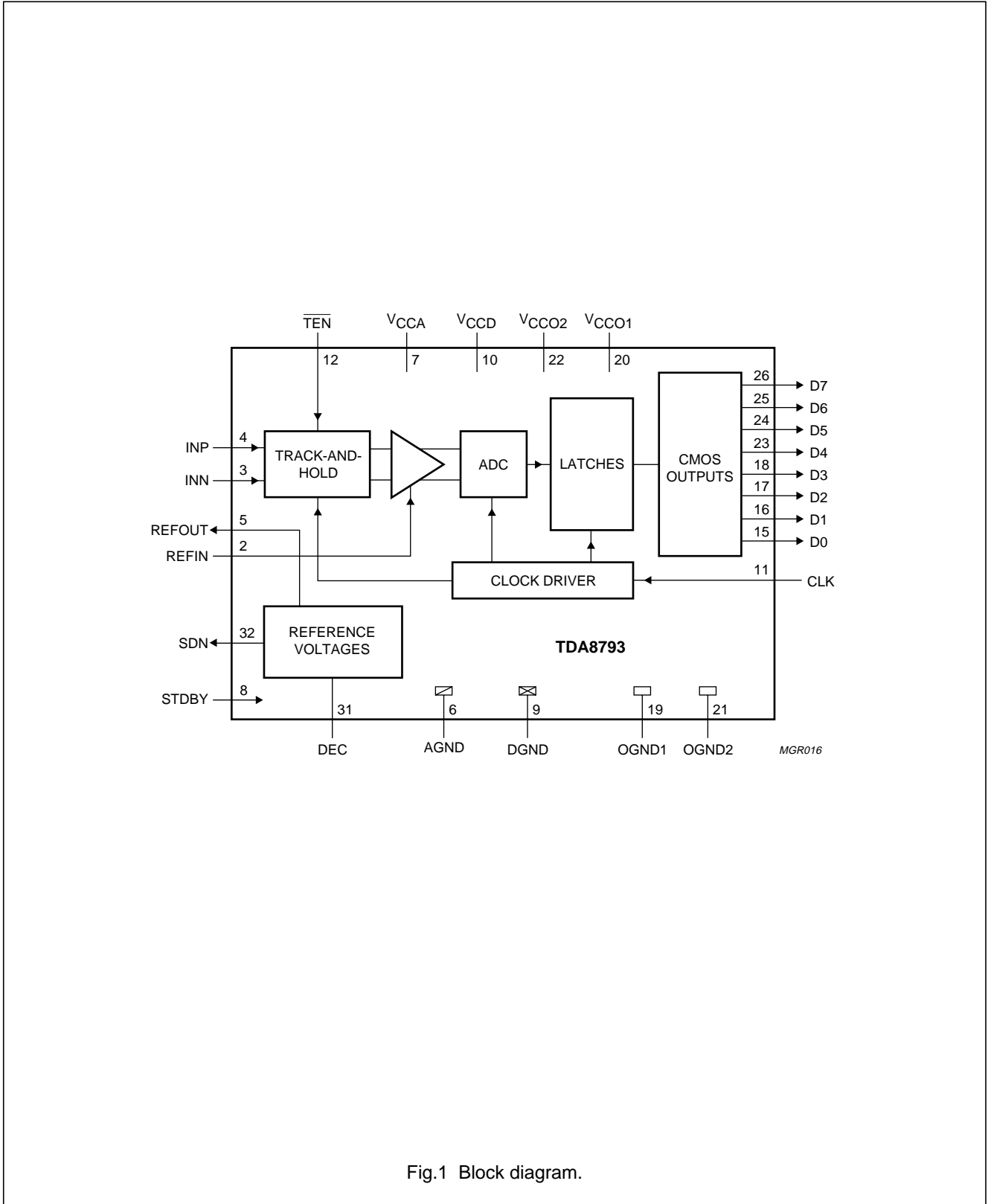


Fig.1 Block diagram.

8-bit, low-power, 3 V, 100 Msps
Analog-to-Digital Converter (ADC)

TDA8793

PINNING

SYMBOL	PIN	DESCRIPTION
n.c.	1	not connected
REFIN	2	reference input for ADC
INN	3	negative input
INP	4	positive input
REFOUT	5	reference output for AC coupling of input
AGND	6	analog ground
V _{CCA}	7	analog supply voltage
STDBY	8	standby mode input
DGND	9	digital ground
V _{CCD}	10	digital supply voltage
CLK	11	clock input
TEN	12	track enable input (active LOW)
n.c.	13	not connected
n.c.	14	not connected
D0	15	data output bit 0 (LSB)
D1	16	data output bit 1

SYMBOL	PIN	DESCRIPTION
D2	17	data output bit 2
D3	18	data output bit 3
OGND1	19	output ground 1
V _{CCO1}	20	output supply voltage 1
OGND2	21	output ground 2
V _{CCO2}	22	output supply voltage 2
D4	23	data output bit 4
D5	24	data output bit 5
D6	25	data output bit 6
D7	26	data output bit 7 (MSB)
n.c.	27	not connected
n.c.	28	not connected
n.c.	29	not connected
n.c.	30	not connected
DEC	31	decoupling
SDN	32	stabilized decoupling node output

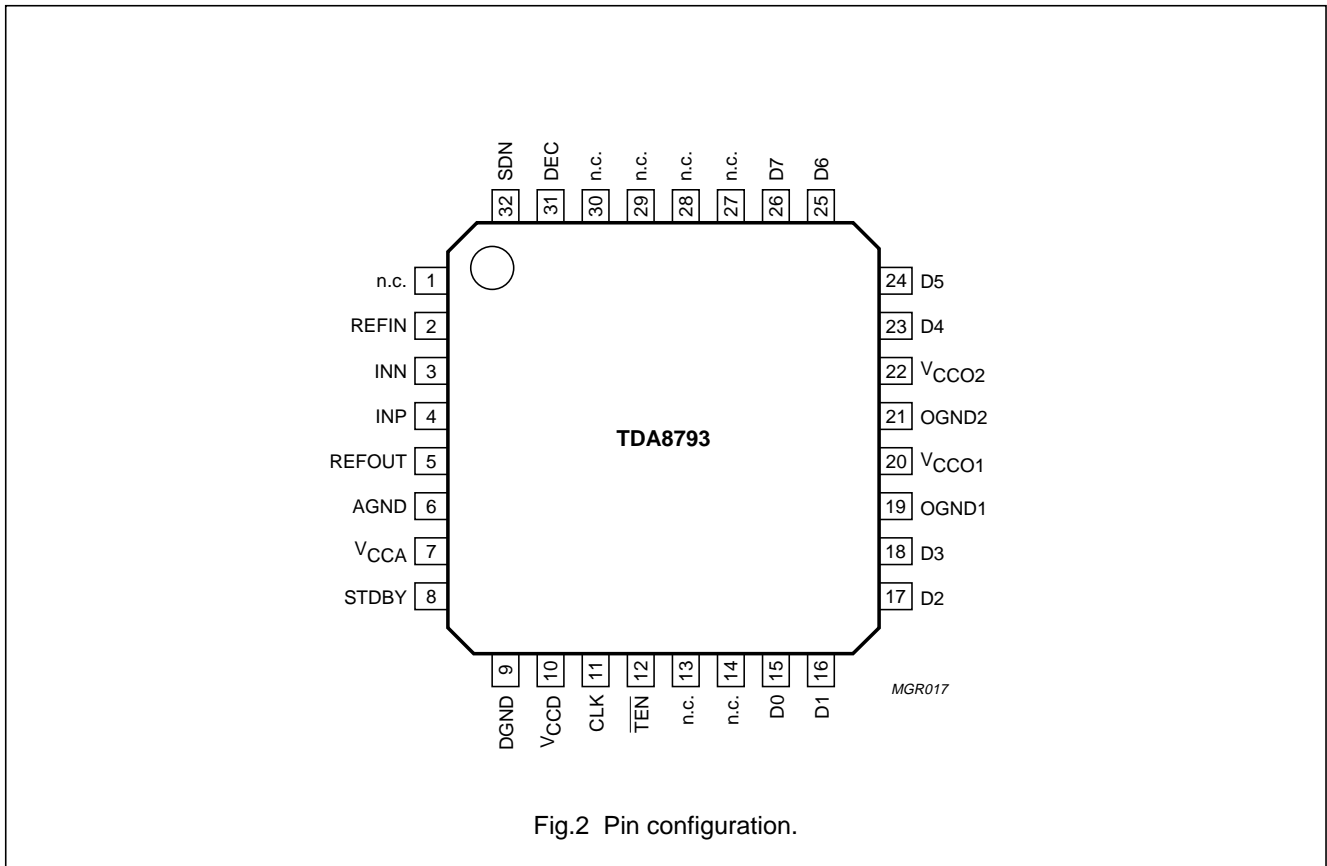


Fig.2 Pin configuration.

8-bit, low-power, 3 V, 100 Msps Analog-to-Digital Converter (ADC)

TDA8793

LIMITING VALUES

In accordance with the Absolute Maximum Rating System (IEC 60134).

SYMBOL	PARAMETER	CONDITIONS	MIN.	MAX.	UNIT
V_{CCA}	analog supply voltage	note 1	-0.3	+5.0	V
V_{CCD}	digital supply voltage	note 1	-0.3	+5.0	V
V_{CCO}	output stages supply voltage	note 1	-0.3	+5.0	V
ΔV_{CC}	supply voltage differences between V_{CCA} and V_{CCD}		-1.0	+1.0	V
	V_{CCO} and V_{CCD}		-1.0	+1.0	V
	V_{CCA} and V_{CCO}		-1.0	+1.0	V
V_n	voltage on pins INP, INN, CLK, \overline{TEN} and STDBY	note 2	-0.3	+4.5	V
	REFIN		-0.3	+4.5	V
I_O	output current		-	10	mA
T_{stg}	storage temperature		-55	+150	°C
T_{amb}	ambient temperature		0	70	°C

Notes

1. The supply voltages V_{CCA} , V_{CCD} , V_{CCO} may have any value between -0.3 and +5.0 V provided that the supply voltage differences ΔV_{CC} are respected.
2. All voltages are typical values and are referenced to all ground pins connected together.

HANDLING

Inputs and outputs are protected against electrostatic discharges in normal handling. However, to be totally safe, it is desirable to take normal precautions appropriate to handling integrated circuits.

THERMAL CHARACTERISTICS

SYMBOL	PARAMETER	CONDITIONS	VALUE	UNIT
$R_{th(j-a)}$	thermal resistance from junction to ambient	in free air	94	K/W

8-bit, low-power, 3 V, 100 Msps Analog-to-Digital Converter (ADC)

TDA8793

CHARACTERISTICS

$V_{CCA} = V_7$ to $V_6 = 2.7$ to 3.6 V; $V_{CCD} = V_{10}$ to $V_9 = 2.7$ to 3.6 V; $V_{CCO} = V_{20}$ to V_{19} and V_{22} to $V_{21} = 2.7$ to 3.6 V; AGND, DGND and OGND shorted together; V_{CCA} to $V_{CCD} = -0.15$ to $+0.15$ V; V_{CCD} to $V_{CCO} = -0.15$ to $+0.15$ V; V_{CCA} to $V_{CCO} = -0.15$ to $+0.15$ V; $T_{amb} = 0$ to 70 °C; typical values measured at $V_{CCA} = V_{CCD} = V_{CCO} = 3.0$ V and $T_{amb} = 25$ °C; single-ended input; unless otherwise specified.

SYMBOL	PARAMETER	CONDITIONS	MIN.	TYP.	MAX.	UNIT
Supplies						
V_{CCA}	analog supply voltage		2.7	3.0	3.6	V
V_{CCD}	digital supply voltage		2.7	3.0	3.6	V
V_{CCO}	output stages supply voltage		2.7	3.0	3.6	V
I_{CCA}	analog supply current		32	40	48	mA
I_{CCD}	digital supply current		12	16	24	mA
I_{CCO}	output stages supply current	ramp input	–	4	6.5	mA
		$f_i = 20$ MHz	–	8.7	12	mA
Internal reference voltage output (pin SDN); note 1						
V_{ref}	reference voltage		1.21	1.26	1.31	V
V_{reg}	line regulation voltage	$2.7 < V_{CCA} < 3.6$ V	–	1.25	4	mV
TC	temperature coefficient		–	20	–	ppm/K
I_L	load current		–1	–	–	mA
Internal reference voltage output (pin REFOUT)						
V_{ref}	reference voltage		1.76	1.84	1.92	V
V_{reg}	line regulation voltage	$2.7 < V_{CCA} < 3.6$ V	–	1.5	5	mV
TC	temperature coefficient		–	20	–	ppm/K
I_L	load current		–1	–	–	mA
Clock input (pin CLK); note 2						
V_{IL}	LOW-level input voltage		0	–	0.8	V
V_{IH}	HIGH-level input voltage		2	–	V_{CCD}	V
I_{IL}	LOW-level input current	$V_{CLK} = 0$	–2	–	+2	μ A
I_{IH}	HIGH-level input current	$V_{CLK} = V_{CCD}$	–	–	5	μ A
Z_i	input impedance	$f_{CLK} = 100$ MHz	–	32	–	k Ω
C_i	input capacitance	$f_{CLK} = 100$ MHz	–	2	–	pF
Standby input (pin STDBY); see Table 1						
V_{IL}	LOW-level input voltage		0	–	0.8	V
V_{IH}	HIGH-level input voltage		2	–	V_{CCD}	V
I_{IL}	LOW-level input current	$V_{STDBY} = 0$	–5	–	–	μ A
I_{IH}	HIGH-level input current	$V_{STDBY} = V_{CCD}$	–	–	5	μ A
Track enable input (pin \overline{TEN}); see Table 2						
V_{IL}	LOW-level input voltage		0	–	0.8	V
V_{IH}	HIGH-level input voltage		2	–	V_{CCD}	V
I_{IL}	LOW-level input current	$V_{TEN} = 0$	–5	–	–	μ A
I_{IH}	HIGH-level input current	$V_{TEN} = V_{CCD}$	–	–	5	μ A

8-bit, low-power, 3 V, 100 Msps Analog-to-Digital Converter (ADC)

TDA8793

SYMBOL	PARAMETER	CONDITIONS	MIN.	TYP.	MAX.	UNIT
Analog inputs (pins INP and INN); input voltage referenced to AGND; $V_{REFIN} = 1.27$ V; see Table 3						
$V_{i(p-p)}$	input voltage range (peak-to-peak value)	$V_i = V_{INP} - V_{INN}$; $T_{amb} = 25$ °C	0.90	0.95	1.02	V
$\Delta V_{i(T)}$	input voltage range variation with temperature		–	0.5	–	mV/K
V_{IO}	input offset voltage	output code = 127	–30	–	+30	mV
Z_i	input impedance	$f_i = 50$ MHz	–	90	–	k Ω
C_i	input capacitance	$f_i = 50$ MHz	–	2	–	pF
I_i	input current	$V_i = V_{REFOUT} - 0.5$ V	–1	–	–	μ A
		$V_i = V_{REFOUT} + 0.5$ V	–	–	40	μ A
Adjustable full-scale range						
$V_{i(p-p)}$	input voltage range (peak-to-peak value)	$V_i = V_{INP} - V_{INN}$; $V_{REFIN} = 1.27$ V; $T_{amb} = 25$ °C; see Fig.3	–	1	–	V
Reference input for ADC (pin REFIN); referenced to AGND; note 3						
V_{REFIN}	reference input voltage		1.25	1.27	1.35	V
I_{REFIN}	reference input current		–	0.9	1.1	mA
ADC data outputs (pins D0 to D7)						
V_{OL}	LOW-level output voltage	$I_O = 1$ mA	–	–	0.54	V
		$I_O = 0.6$ mA	–	–	0.40	V
V_{OH}	HIGH-level output voltage	$I_O = -0.4$ mA	$V_{CC0} - 0.5$	–	V_{CC0}	V
C_L	load capacitance		–	–	10	pF
$\delta V/\delta t$	slew rate	20% to 80%; $C_L = 10$ pF	–	1.6	–	V/ns
Analog signal processing; see Figs 4, 5, 6 and 7; note 3						
INL	integral non-linearity	ramp input; $f_{CLK} = 2$ MHz; $V_{CCA} = V_{CCD} = 3$ V	–	± 0.85	± 1.70	LSB
DNL	differential non-linearity	ramp input; $f_{CLK} = 2$ MHz; $V_{CCA} = V_{CCD} = 3$ V	–	± 0.25	± 0.80	LSB
S/N	signal-to-noise ratio (full-scale)	without harmonics; $f_{CLK} = 100$ MHz:				
		$f_i = 20$ MHz	43	48	–	dB
		$f_i = 50$ MHz	–	47	–	dB
B	–3 dB analog bandwidth	track-and-hold active	–	350	–	MHz
THD	total harmonic distortion	$f_i = 20$ MHz	–	–53	–	dB
		$f_i = 50$ MHz	–	–51	–	dB
$H_{fund(FS)}$	fundamental harmonics (full-scale)	$f_{CLK} = 100$ MHz:				
		$f_i = 20$ MHz	–	–	0	dB
		$f_i = 50$ MHz	–	–	0	dB

8-bit, low-power, 3 V, 100 Msps Analog-to-Digital Converter (ADC)

TDA8793

SYMBOL	PARAMETER	CONDITIONS	MIN.	TYP.	MAX.	UNIT
H _{D2(FS)}	second harmonic distortion (full-scale) all components included	differential input; f _{CLK} = 100 MHz:				
		f _i = 20 MHz	–	–63	–	dB
		f _i = 50 MHz	–	–63	–	dB
		single-ended input; f _{CLK} = 100 MHz:				
		f _i = 20 MHz	–	–57	–	dB
		f _i = 50 MHz	–	–55	–	dB
H _{D3(FS)}	third harmonic distortion (full-scale) all components included	differential input; f _{CLK} = 100 MHz:				
		f _i = 20 MHz	–	–62	–	dB
		f _i = 50 MHz	–	–55	–	dB
		single-ended input; f _{CLK} = 100 MHz:				
		f _i = 20 MHz	–	–59	–	dB
		f _i = 50 MHz	–	–55	–	dB
SFDR	spurious free dynamic range	f _{CLK} = 100 MHz:				
		f _i = 20 MHz	–	56	–	dB
		f _i = 50 MHz	–	54	–	dB
EB	effective number of bits	f _{CLK} = 100 MHz; note 4:				
		f _i = 20 MHz	7.0	7.4	–	bits
		f _i = 50 MHz	–	7.3	–	bits
		track-and-hold inactive	–	7.4	–	bits
Data timing; f_{CLK} = 100 MHz; C_L = 10 pF; see Fig.8; note 2						
f _{CLK(min)}	minimum clock frequency	track-and-hold active	–	–	70	MHz
f _{CLK(max)}	maximum clock frequency	I _O = 0.6 mA	100	–	–	MHz
t _{W(CLKH)}	clock pulse width HIGH		4	–	–	ns
t _{W(CLKL)}	clock pulse width LOW		4	–	–	ns
t _r	clock rise time		0.75	–	4	ns
t _f	clock fall time		0.75	–	4	ns
t _{ds}	sampling delay		–	–	1.5	ns
t _h	output hold time		3	–	–	ns
t _d	output delay time		–	6	8	ns

Notes

- The reference output voltage (pin SDN) can be used to drive other analog circuits under the limits indicated.
- In addition to a good layout of the digital and analog grounds, it is recommended that the rise and fall times of the clock must be more than 0.75 ns.
- It is possible with an external reference voltage connected to pin REFIN to adjust the ADC input range. The input range variation will be fixed.
- Effective bits are obtained via a Fast Fourier Transform (FFT) treatment taking 8000 acquisition points per equivalent fundamental period. The calculation takes into account all harmonics and noise up to half of the clock frequency (Nyquist frequency). Conversion to signal-to-noise ratio: SINAD = 6.02 × EB + 1.76 dB.

8-bit, low-power, 3 V, 100 Msps Analog-to-Digital Converter (ADC)

TDA8793

Table 1 Standby selection

PIN STDBY	POWER-DOWN MODE	D0 TO D7	I _{CCA} + I _{CCD}
LOW	inactive	output operating	56 mA
HIGH	active	output logic state LOW	0.7 mA

Table 2 Track-and-hold selection

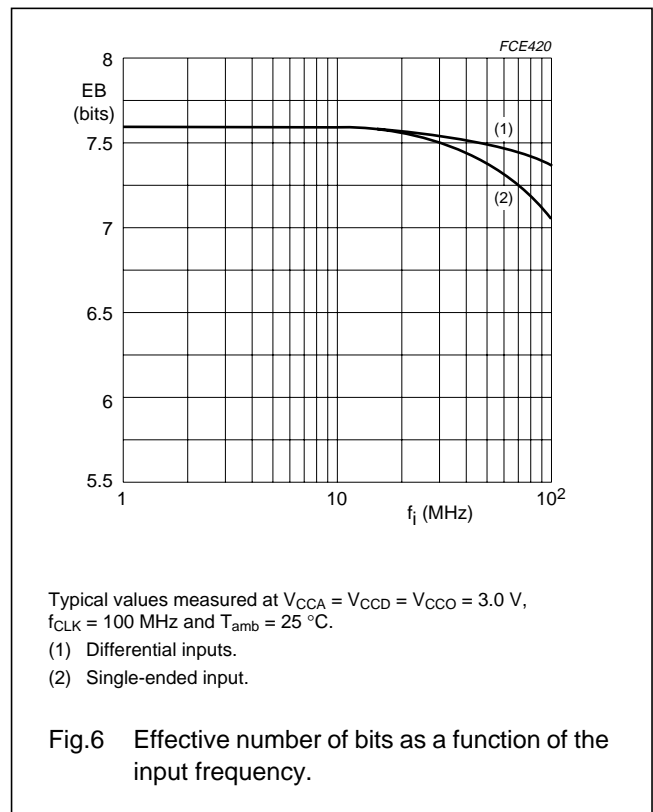
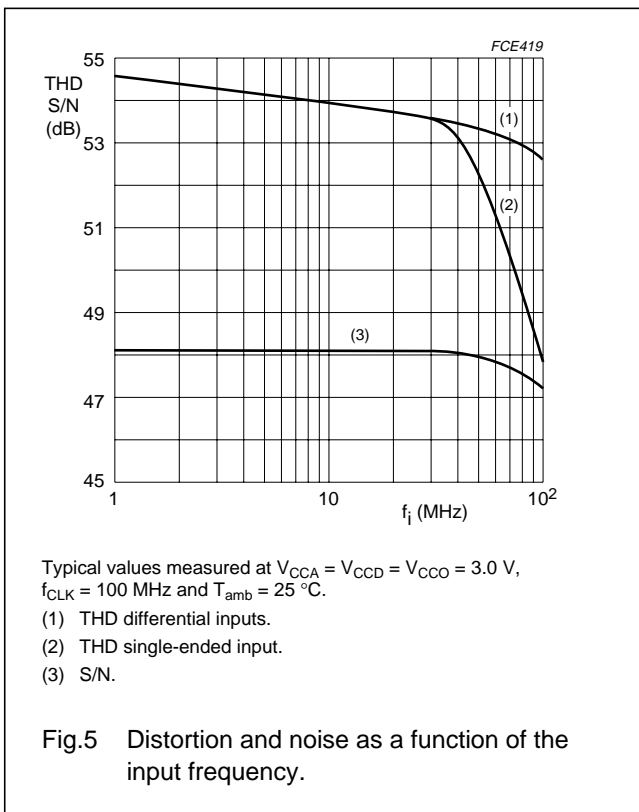
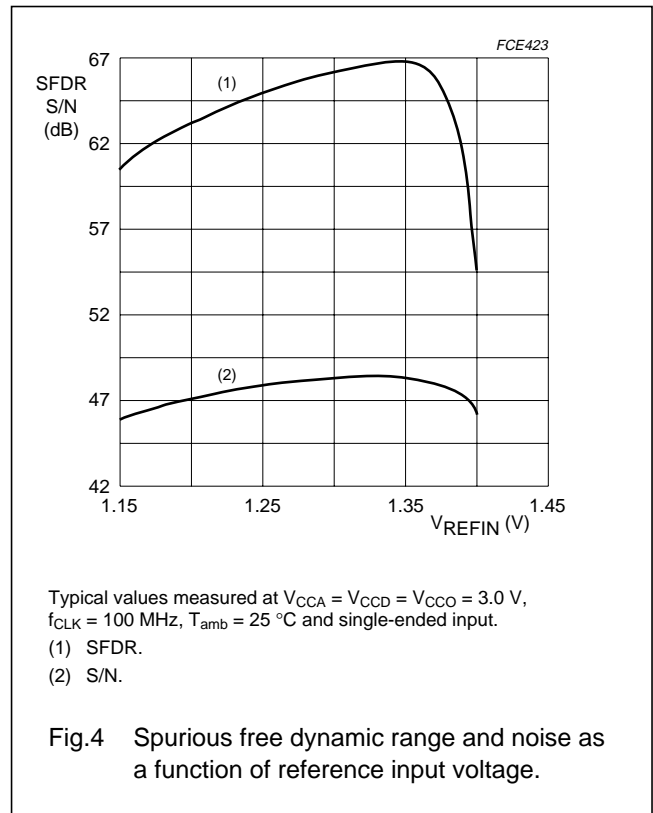
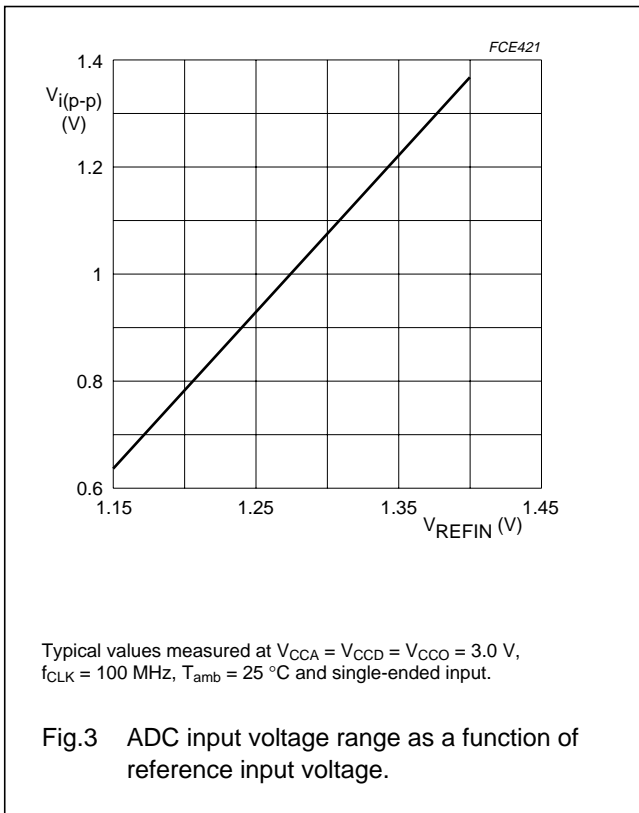
PIN $\overline{\text{TEN}}$	TRACK-AND-HOLD
LOW	active
HIGH	inactive

Table 3 Output coding and input voltage (typical values; referenced to AGND; V_{REFIN} = 1.27 V)

STEP	V _{INP} (V)	V _{INN} (V)	OUTPUT CODING BITS							
			D7	D6	D5	D4	D3	D2	D1	D0
Underflow	<1.6	>2.1	0	0	0	0	0	0	0	0
0	1.6	2.1	0	0	0	0	0	0	0	0
1	0	0	0	0	0	0	0	1
...
127	1.85	1.85
...
254	1	1	1	1	1	1	1	0
255	2.1	1.6	1	1	1	1	1	1	1	1
Overflow	>2.1	<1.6	1	1	1	1	1	1	1	1

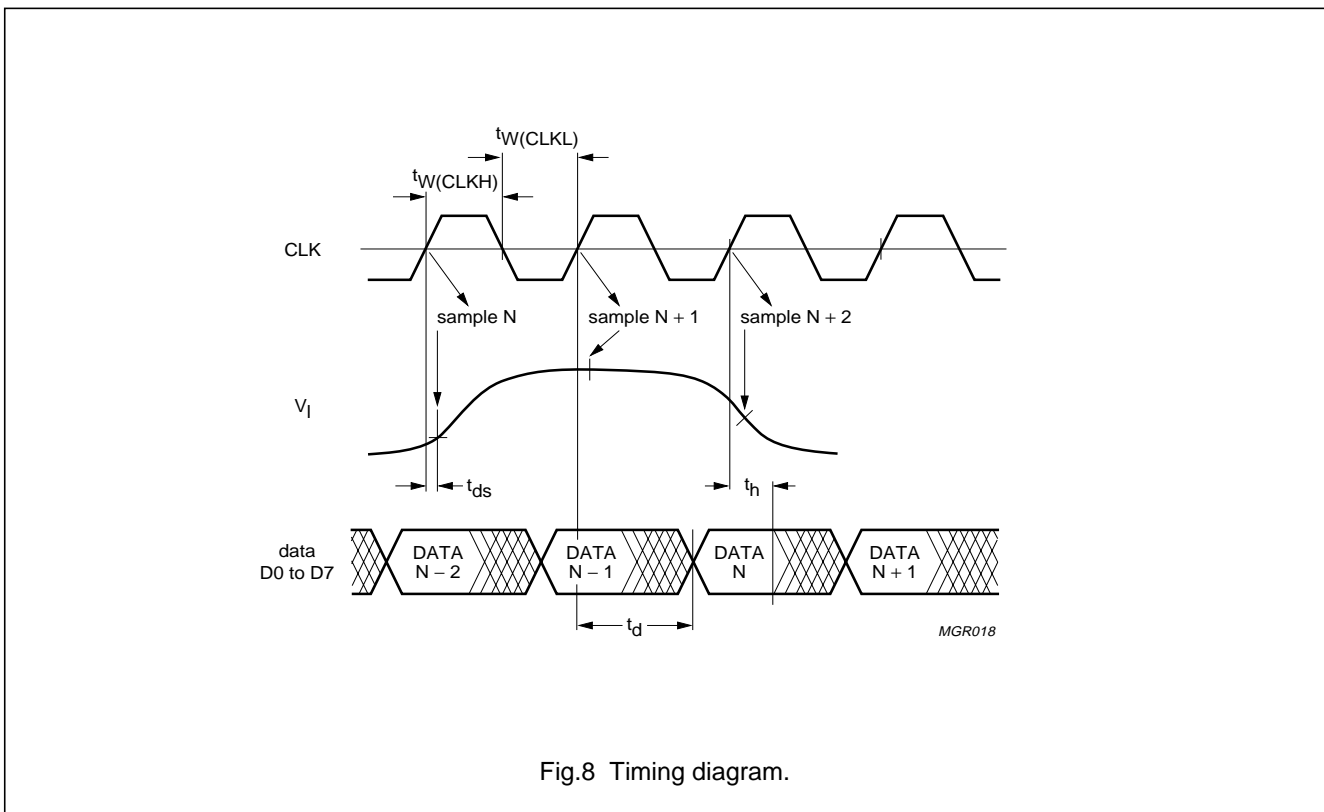
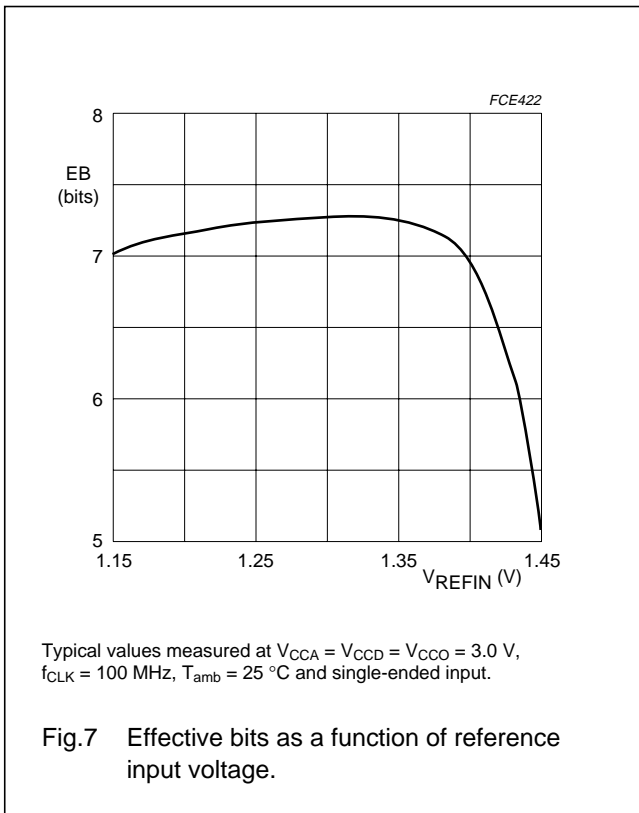
8-bit, low-power, 3 V, 100 Msps Analog-to-Digital Converter (ADC)

TDA8793



8-bit, low-power, 3 V, 100 Msps
Analog-to-Digital Converter (ADC)

TDA8793



8-bit, low-power, 3 V, 100 Msps
Analog-to-Digital Converter (ADC)

TDA8793

APPLICATION INFORMATION

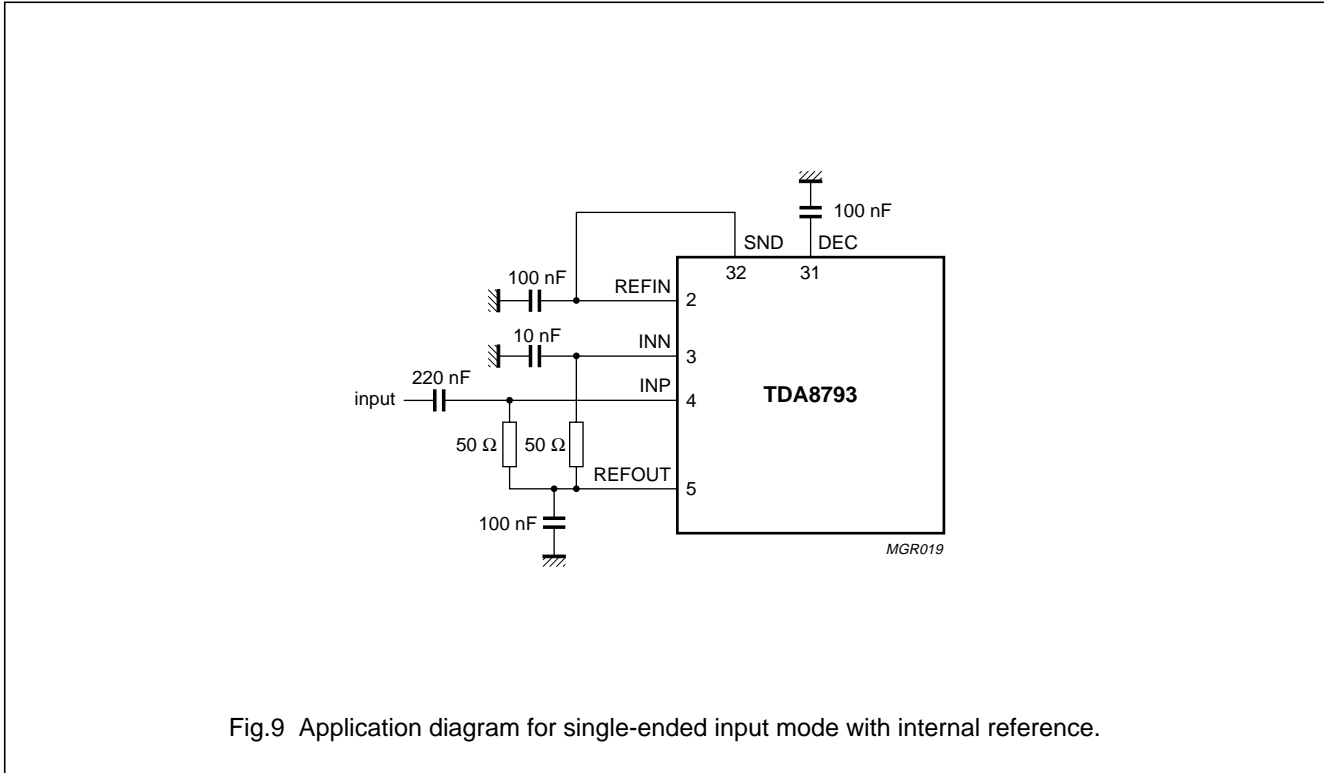


Fig.9 Application diagram for single-ended input mode with internal reference.

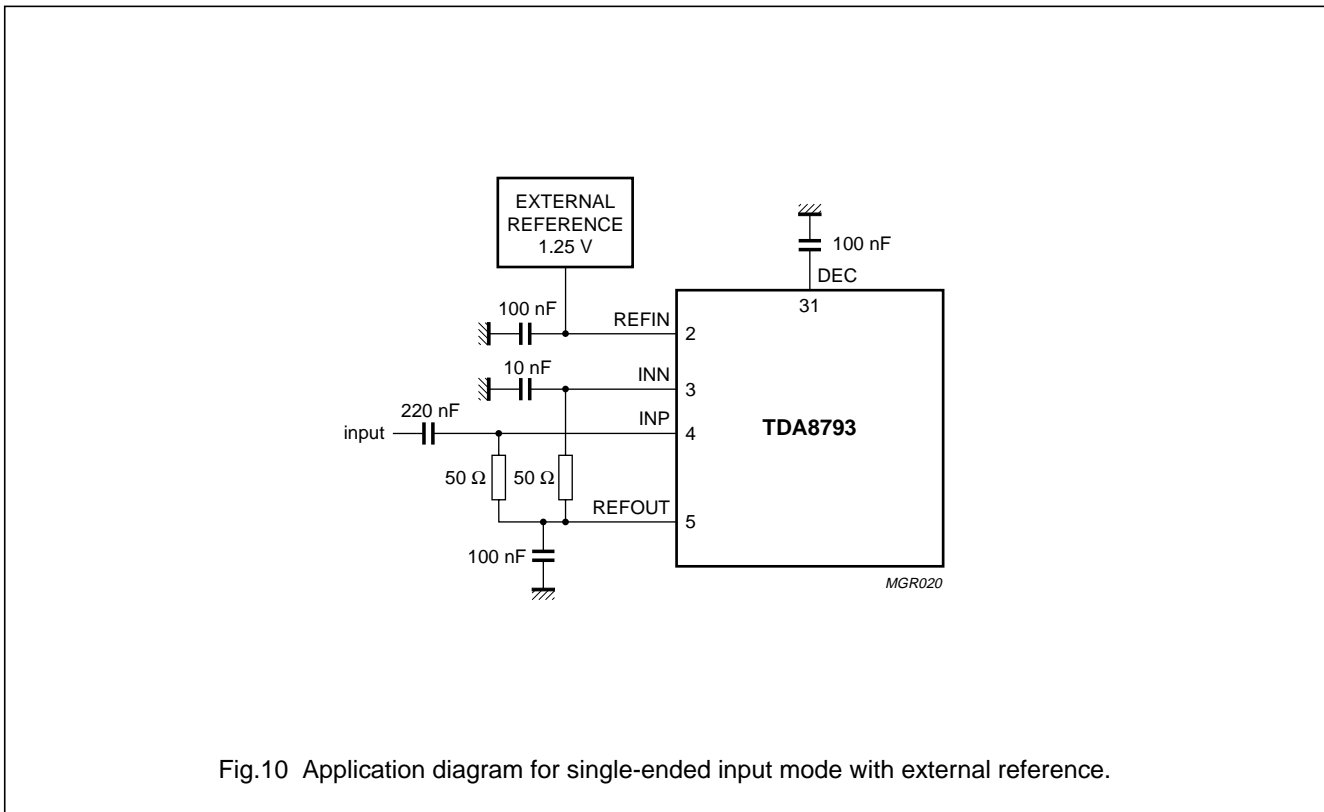


Fig.10 Application diagram for single-ended input mode with external reference.

8-bit, low-power, 3 V, 100 Msps
Analog-to-Digital Converter (ADC)

TDA8793

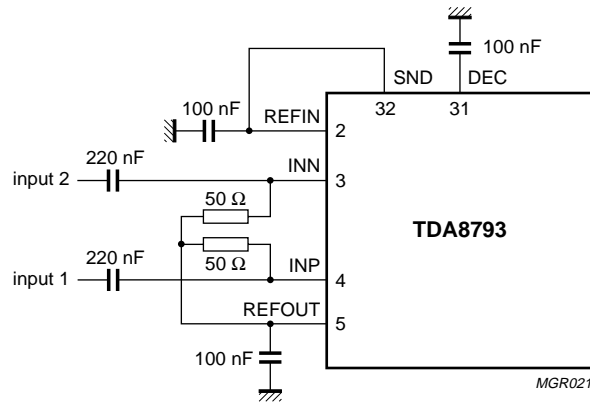


Fig.11 Application diagram for differential input mode with internal reference.

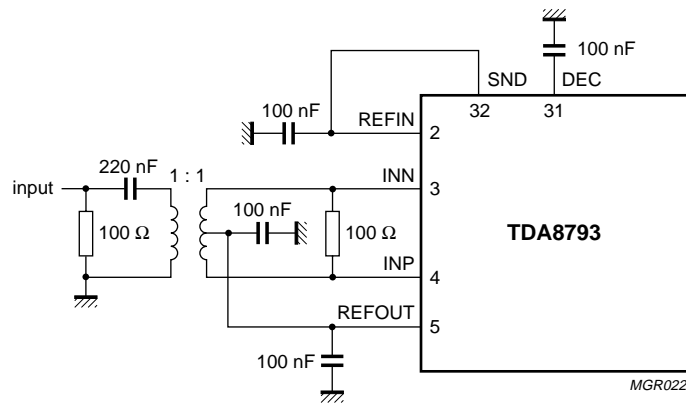


Fig.12 Application diagram for differential input mode with internal reference and using a transformer.

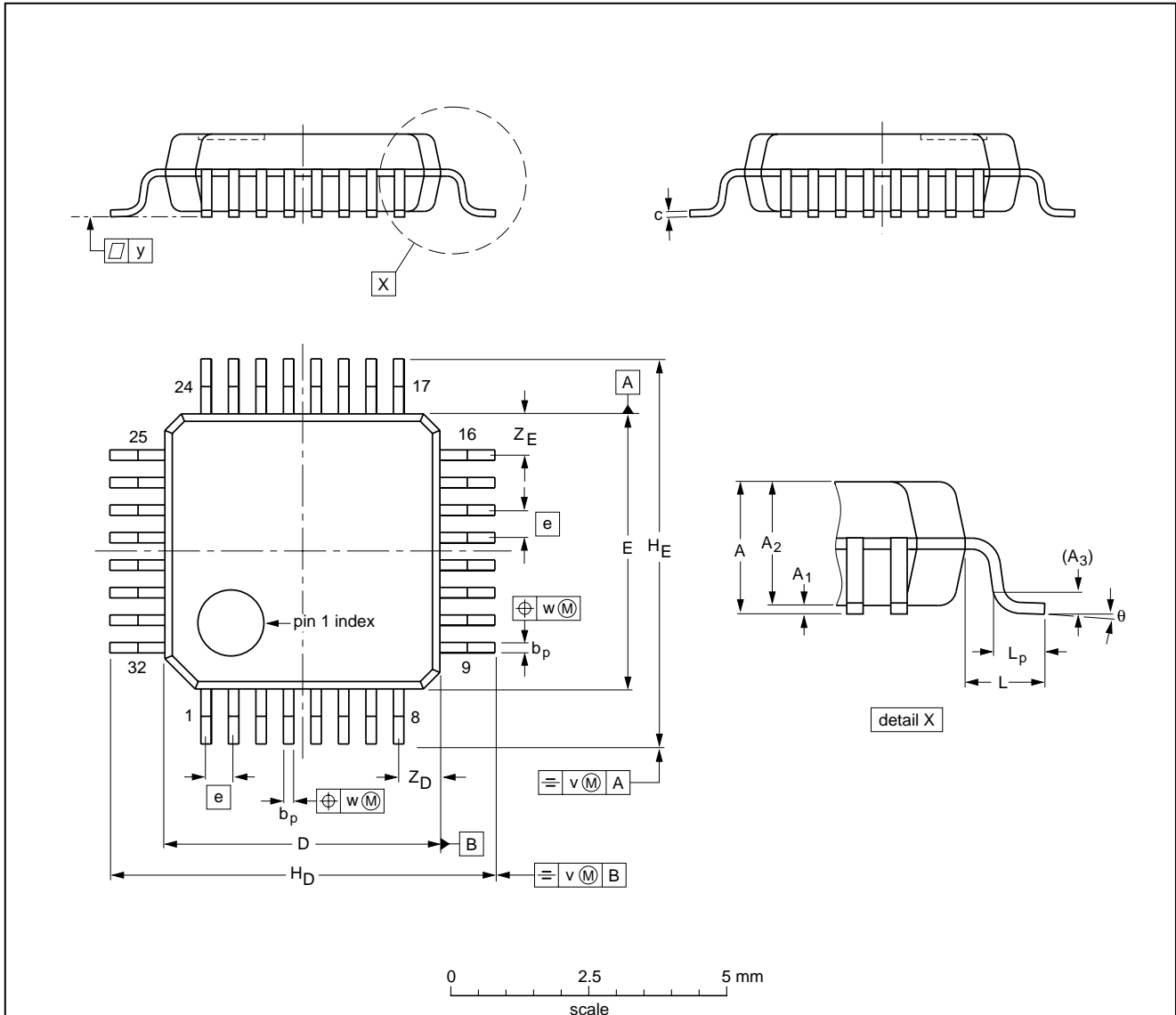
8-bit, low-power, 3 V, 100 Msps
Analog-to-Digital Converter (ADC)

TDA8793

PACKAGE OUTLINE

LQFP32: plastic low profile quad flat package; 32 leads; body 5 x 5 x 1.4 mm

SOT401-1



DIMENSIONS (mm are the original dimensions)

UNIT	A max.	A ₁	A ₂	A ₃	b _p	c	D ⁽¹⁾	E ⁽¹⁾	e	H _D	H _E	L	L _p	v	w	y	Z _D ⁽¹⁾	Z _E ⁽¹⁾	θ
mm	1.60	0.15 0.05	1.5 1.3	0.25	0.27 0.17	0.18 0.12	5.1 4.9	5.1 4.9	0.5	7.15 6.85	7.15 6.85	1.0	0.75 0.45	0.2	0.12	0.1	0.95 0.55	0.95 0.55	7° 0°

Note

1. Plastic or metal protrusions of 0.25 mm maximum per side are not included.

OUTLINE VERSION	REFERENCES				EUROPEAN PROJECTION	ISSUE DATE
	IEC	JEDEC	EIAJ			
SOT401-1	136E01	MS-026				99-12-27 00-01-19

8-bit, low-power, 3 V, 100 Msps Analog-to-Digital Converter (ADC)

TDA8793

SOLDERING

Introduction to soldering surface mount packages

This text gives a very brief insight to a complex technology. A more in-depth account of soldering ICs can be found in our *"Data Handbook IC26; Integrated Circuit Packages"* (document order number 9398 652 90011).

There is no soldering method that is ideal for all surface mount IC packages. Wave soldering can still be used for certain surface mount ICs, but it is not suitable for fine pitch SMDs. In these situations reflow soldering is recommended.

Reflow soldering

Reflow soldering requires solder paste (a suspension of fine solder particles, flux and binding agent) to be applied to the printed-circuit board by screen printing, stencilling or pressure-syringe dispensing before package placement.

Several methods exist for reflowing; for example, convection or convection/infrared heating in a conveyor type oven. Throughput times (preheating, soldering and cooling) vary between 100 and 200 seconds depending on heating method.

Typical reflow peak temperatures range from 215 to 250 °C. The top-surface temperature of the packages should preferably be kept below 220 °C for thick/large packages, and below 235 °C for small/thin packages.

Wave soldering

Conventional single wave soldering is not recommended for surface mount devices (SMDs) or printed-circuit boards with a high component density, as solder bridging and non-wetting can present major problems.

To overcome these problems the double-wave soldering method was specifically developed.

If wave soldering is used the following conditions must be observed for optimal results:

- Use a double-wave soldering method comprising a turbulent wave with high upward pressure followed by a smooth laminar wave.
- For packages with leads on two sides and a pitch (e):
 - larger than or equal to 1.27 mm, the footprint longitudinal axis is **preferred** to be parallel to the transport direction of the printed-circuit board;
 - smaller than 1.27 mm, the footprint longitudinal axis **must** be parallel to the transport direction of the printed-circuit board.

The footprint must incorporate solder thieves at the downstream end.

- For packages with leads on four sides, the footprint must be placed at a 45° angle to the transport direction of the printed-circuit board. The footprint must incorporate solder thieves downstream and at the side corners.

During placement and before soldering, the package must be fixed with a droplet of adhesive. The adhesive can be applied by screen printing, pin transfer or syringe dispensing. The package can be soldered after the adhesive is cured.

Typical dwell time is 4 seconds at 250 °C.

A mildly-activated flux will eliminate the need for removal of corrosive residues in most applications.

Manual soldering

Fix the component by first soldering two diagonally-opposite end leads. Use a low voltage (24 V or less) soldering iron applied to the flat part of the lead. Contact time must be limited to 10 seconds at up to 300 °C.

When using a dedicated tool, all other leads can be soldered in one operation within 2 to 5 seconds between 270 and 320 °C.

8-bit, low-power, 3 V, 100 Msps Analog-to-Digital Converter (ADC)

TDA8793

Suitability of surface mount IC packages for wave and reflow soldering methods

PACKAGE	SOLDERING METHOD	
	WAVE	REFLOW ⁽¹⁾
BGA, LFBGA, SQFP, TFBGA	not suitable	suitable
HBCC, HLQFP, HSQFP, HSOP, HTQFP, HTSSOP, SMS	not suitable ⁽²⁾	suitable
PLCC ⁽³⁾ , SO, SOJ	suitable	suitable
LQFP, QFP, TQFP	not recommended ⁽³⁾⁽⁴⁾	suitable
SSOP, TSSOP, VSO	not recommended ⁽⁵⁾	suitable

Notes

1. All surface mount (SMD) packages are moisture sensitive. Depending upon the moisture content, the maximum temperature (with respect to time) and body size of the package, there is a risk that internal or external package cracks may occur due to vaporization of the moisture in them (the so called popcorn effect). For details, refer to the Drypack information in the *"Data Handbook IC26; Integrated Circuit Packages; Section: Packing Methods"*.
2. These packages are not suitable for wave soldering as a solder joint between the printed-circuit board and heatsink (at bottom version) can not be achieved, and as solder may stick to the heatsink (on top version).
3. If wave soldering is considered, then the package must be placed at a 45° angle to the solder wave direction. The package footprint must incorporate solder thieves downstream and at the side corners.
4. Wave soldering is only suitable for LQFP, TQFP and QFP packages with a pitch (e) equal to or larger than 0.8 mm; it is definitely not suitable for packages with a pitch (e) equal to or smaller than 0.65 mm.
5. Wave soldering is only suitable for SSOP and TSSOP packages with a pitch (e) equal to or larger than 0.65 mm; it is definitely not suitable for packages with a pitch (e) equal to or smaller than 0.5 mm.

8-bit, low-power, 3 V, 100 Msps Analog-to-Digital Converter (ADC)

TDA8793

DATA SHEET STATUS

DATA SHEET STATUS	PRODUCT STATUS	DEFINITIONS ⁽¹⁾
Objective specification	Development	This data sheet contains the design target or goal specifications for product development. Specification may change in any manner without notice.
Preliminary specification	Qualification	This data sheet contains preliminary data, and supplementary data will be published at a later date. Philips Semiconductors reserves the right to make changes at any time without notice in order to improve design and supply the best possible product.
Product specification	Production	This data sheet contains final specifications. Philips Semiconductors reserves the right to make changes at any time without notice in order to improve design and supply the best possible product.

Note

1. Please consult the most recently issued data sheet before initiating or completing a design.

DEFINITIONS

Short-form specification — The data in a short-form specification is extracted from a full data sheet with the same type number and title. For detailed information see the relevant data sheet or data handbook.

Limiting values definition — Limiting values given are in accordance with the Absolute Maximum Rating System (IEC 60134). Stress above one or more of the limiting values may cause permanent damage to the device. These are stress ratings only and operation of the device at these or at any other conditions above those given in the Characteristics sections of the specification is not implied. Exposure to limiting values for extended periods may affect device reliability.

Application information — Applications that are described herein for any of these products are for illustrative purposes only. Philips Semiconductors make no representation or warranty that such applications will be suitable for the specified use without further testing or modification.

DISCLAIMERS

Life support applications — These products are not designed for use in life support appliances, devices, or systems where malfunction of these products can reasonably be expected to result in personal injury. Philips Semiconductors customers using or selling these products for use in such applications do so at their own risk and agree to fully indemnify Philips Semiconductors for any damages resulting from such application.

Right to make changes — Philips Semiconductors reserves the right to make changes, without notice, in the products, including circuits, standard cells, and/or software, described or contained herein in order to improve design and/or performance. Philips Semiconductors assumes no responsibility or liability for the use of any of these products, conveys no licence or title under any patent, copyright, or mask work right to these products, and makes no representations or warranties that these products are free from patent, copyright, or mask work right infringement, unless otherwise specified.

8-bit, low-power, 3 V, 100 Msps
Analog-to-Digital Converter (ADC)

TDA8793

NOTES

8-bit, low-power, 3 V, 100 Msps
Analog-to-Digital Converter (ADC)

TDA8793

NOTES

Philips Semiconductors – a worldwide company

Argentina: see South America

Australia: 3 Figtree Drive, HOME BUSH, NSW 2140,
Tel. +61 2 9704 8141, Fax. +61 2 9704 8139

Austria: Computerstr. 6, A-1101 WIEN, P.O. Box 213,
Tel. +43 1 60 101 1248, Fax. +43 1 60 101 1210

Belarus: Hotel Minsk Business Center, Bld. 3, r. 1211, Volodarski Str. 6,
220050 MINSK, Tel. +375 172 20 0733, Fax. +375 172 20 0773

Belgium: see The Netherlands

Brazil: see South America

Bulgaria: Philips Bulgaria Ltd., Energoproject, 15th floor,
51 James Bourchier Blvd., 1407 SOFIA,
Tel. +359 2 68 9211, Fax. +359 2 68 9102

Canada: PHILIPS SEMICONDUCTORS/COMPONENTS,
Tel. +1 800 234 7381, Fax. +1 800 943 0087

China/Hong Kong: 501 Hong Kong Industrial Technology Centre,
72 Tat Chee Avenue, Kowloon Tong, HONG KONG,
Tel. +852 2319 7888, Fax. +852 2319 7700

Colombia: see South America

Czech Republic: see Austria

Denmark: Sydhavnsgade 23, 1780 COPENHAGEN V,
Tel. +45 33 29 3333, Fax. +45 33 29 3905

Finland: Sinikalliontie 3, FIN-02630 ESPOO,
Tel. +358 9 615 800, Fax. +358 9 6158 0920

France: 51 Rue Carnot, BP317, 92156 SURESNES Cedex,
Tel. +33 1 4099 6161, Fax. +33 1 4099 6427

Germany: Hammerbrookstraße 69, D-20097 HAMBURG,
Tel. +49 40 2353 60, Fax. +49 40 2353 6300

Hungary: see Austria

India: Philips INDIA Ltd, Band Box Building, 2nd floor,
254-D, Dr. Annie Besant Road, Worli, MUMBAI 400 025,
Tel. +91 22 493 8541, Fax. +91 22 493 0966

Indonesia: PT Philips Development Corporation, Semiconductors Division,
Gedung Philips, Jl. Buncit Raya Kav.99-100, JAKARTA 12510,
Tel. +62 21 794 0040 ext. 2501, Fax. +62 21 794 0080

Ireland: Newstead, Clonskeagh, DUBLIN 14,
Tel. +353 1 7640 000, Fax. +353 1 7640 200

Israel: RAPAC Electronics, 7 Kehilat Saloniki St, PO Box 18053,
TEL AVIV 61180, Tel. +972 3 645 0444, Fax. +972 3 649 1007

Italy: PHILIPS SEMICONDUCTORS, Via Casati, 23 - 20052 MONZA (MI),
Tel. +39 039 203 6838, Fax +39 039 203 6800

Japan: Philips Bldg 13-37, Kohnan 2-chome, Minato-ku,
TOKYO 108-8507, Tel. +81 3 3740 5130, Fax. +81 3 3740 5057

Korea: Philips House, 260-199 Itaewon-dong, Yongsan-ku, SEOUL,
Tel. +82 2 709 1412, Fax. +82 2 709 1415

Malaysia: No. 76 Jalan Universiti, 46200 PETALING JAYA, SELANGOR,
Tel. +60 3 750 5214, Fax. +60 3 757 4880

Mexico: 5900 Gateway East, Suite 200, EL PASO, TEXAS 79905,
Tel. +9-5 800 234 7381, Fax +9-5 800 943 0087

Middle East: see Italy

Netherlands: Postbus 90050, 5600 PB EINDHOVEN, Bldg. VB,
Tel. +31 40 27 82785, Fax. +31 40 27 88399

New Zealand: 2 Wagener Place, C.P.O. Box 1041, AUCKLAND,
Tel. +64 9 849 4160, Fax. +64 9 849 7811

Norway: Box 1, Manglerud 0612, OSLO,
Tel. +47 22 74 8000, Fax. +47 22 74 8341

Pakistan: see Singapore

Philippines: Philips Semiconductors Philippines Inc.,
106 Valero St. Salcedo Village, P.O. Box 2108 MCC, MAKATI,
Metro MANILA, Tel. +63 2 816 6380, Fax. +63 2 817 3474

Poland: Al.Jerozolimskie 195 B, 02-222 WARSAW,
Tel. +48 22 5710 000, Fax. +48 22 5710 001

Portugal: see Spain

Romania: see Italy

Russia: Philips Russia, Ul. Usatcheva 35A, 119048 MOSCOW,
Tel. +7 095 755 6918, Fax. +7 095 755 6919

Singapore: Lorong 1, Toa Payoh, SINGAPORE 319762,
Tel. +65 350 2538, Fax. +65 251 6500

Slovakia: see Austria

Slovenia: see Italy

South Africa: S.A. PHILIPS Pty Ltd., 195-215 Main Road Martindale,
2092 JOHANNESBURG, P.O. Box 58088 Newville 2114,
Tel. +27 11 471 5401, Fax. +27 11 471 5398

South America: Al. Vicente Pinzon, 173, 6th floor,
04547-130 SÃO PAULO, SP, Brazil,
Tel. +55 11 821 2333, Fax. +55 11 821 2382

Spain: Balmes 22, 08007 BARCELONA,
Tel. +34 93 301 6312, Fax. +34 93 301 4107

Sweden: Kottbygatan 7, Akalla, S-16485 STOCKHOLM,
Tel. +46 8 5985 2000, Fax. +46 8 5985 2745

Switzerland: Allmendstrasse 140, CH-8027 ZÜRICH,
Tel. +41 1 488 2741 Fax. +41 1 488 3263

Taiwan: Philips Semiconductors, 5F, No. 96, Chien Kuo N. Rd., Sec. 1,
TAIPEI, Taiwan Tel. +886 2 2134 2451, Fax. +886 2 2134 2874

Thailand: PHILIPS ELECTRONICS (THAILAND) Ltd.,
60/14 MOO 11, Bangna Trad Road KM. 3, Bagna, BANGKOK 10260,
Tel. +66 2 361 7910, Fax. +66 2 398 3447

Turkey: Yukari Dudullu, Org. San. Blg., 2.Cad. Nr. 28 81260 Umraniye,
ISTANBUL, Tel. +90 216 522 1500, Fax. +90 216 522 1813

Ukraine: PHILIPS UKRAINE, 4 Patrice Lumumba str., Building B, Floor 7,
252042 KIEV, Tel. +380 44 264 2776, Fax. +380 44 268 0461

United Kingdom: Philips Semiconductors Ltd., 276 Bath Road, Hayes,
MIDDLESEX UB3 5BX, Tel. +44 208 730 5000, Fax. +44 208 754 8421

United States: 811 East Arques Avenue, SUNNYVALE, CA 94088-3409,
Tel. +1 800 234 7381, Fax. +1 800 943 0087

Uruguay: see South America

Vietnam: see Singapore

Yugoslavia: PHILIPS, Trg N. Pasica 5/v, 11000 BEOGRAD,
Tel. +381 11 3341 299, Fax.+381 11 3342 553

For all other countries apply to: Philips Semiconductors,
Marketing Communications, Building BE-p, P.O. Box 218, 5600 MD EINDHOVEN,
The Netherlands, Fax. +31 40 27 24825

Internet: <http://www.semiconductors.philips.com>

© Philips Electronics N.V. 2000

SCA 70

All rights are reserved. Reproduction in whole or in part is prohibited without the prior written consent of the copyright owner.

The information presented in this document does not form part of any quotation or contract, is believed to be accurate and reliable and may be changed without notice. No liability will be accepted by the publisher for any consequence of its use. Publication thereof does not convey nor imply any license under patent- or other industrial or intellectual property rights.

Printed in The Netherlands

753504/03/pp20

Date of release: 2000 Nov 20

Document order number: 9397 750 07275

Let's make things better.

Philips
Semiconductors



PHILIPS