

DATA SHEET

TDA8718

**8-bit high-speed analog-to-digital
converter**

Product specification
Supersedes data of April 1993
File under Integrated Circuits, IC02

June 1994

Philips Semiconductors



PHILIPS

8-bit high-speed analog-to-digital converter

TDA8718

FEATURES

- 8-bit resolution
- Sampling rate up to 600 MHz
- ECL (100K family) compatible for digital inputs and outputs
- Overflow/Underflow output
- 50 Ω load drive capability
- Low input capacitance (5 pF typ.).

GENERAL DESCRIPTION

The TDA8718 is an 8-bit analog-to-digital converter (ADC) designed for professional applications. The device converts the analog input signal into 8-bit binary coded digital words at a sampling rate of 600 MHz. It has an effective bandwidth capability up to 150 MHz full-scale sine wave. All digital outputs are ECL compatible.

APPLICATIONS

- High speed analog-to-digital conversion
- Industrial instrumentation
- Data communication
- RF communication.

QUICK REFERENCE DATA

Measured over full voltage and temperature ranges, unless otherwise specified.

SYMBOL	PARAMETER	CONDITIONS	MIN.	TYP.	MAX.	UNIT
V _{EEA}	analog supply voltage		-4.2	-4.5	-4.8	V
V _{EED}	digital supply voltage		-4.2	-4.5	-4.8	V
I _{ref}	resistive ladder current	R = 48 Ω	30	45	60	mA
I _{EEA}	analog supply current		30	42	54	mA
I _{EED}	digital supply current		100	120	150	mA
I _{EEO(L)}	LOW level output supply current	R _L = 50 Ω	40	70	90	mA
I _{EEO(H)}	HIGH level output supply current	R _L = 50 Ω	155	170	185	mA
ILE	DC integral linearity error		-	± 0.7	± 1.0	LSB
DLE	DC differential linearity error		-	± 0.3	± 0.5	LSB
EB	effective bits	f _i = 4.43 MHz; I _{ref} = 45 mA; f _{clk} = 100 MHz	-	7.5	-	bits
		f _i = 4.43 MHz; I _{ref} = 45 mA; f _{clk} = 100 MHz	-	6.5	-	bits
f _{clk(max)}	maximum clock frequency		600	-	-	MHz
P _{tot}	total power dissipation		-	990	1250	mW

ORDERING INFORMATION

TYPE NUMBER	PACKAGE			
	PINS	PIN POSITION	MATERIAL	CODE
TDA8718K	28	PLCC28	plastic	SOT261-2

8-bit high-speed analog-to-digital converter

TDA8718

BLOCK DIAGRAM

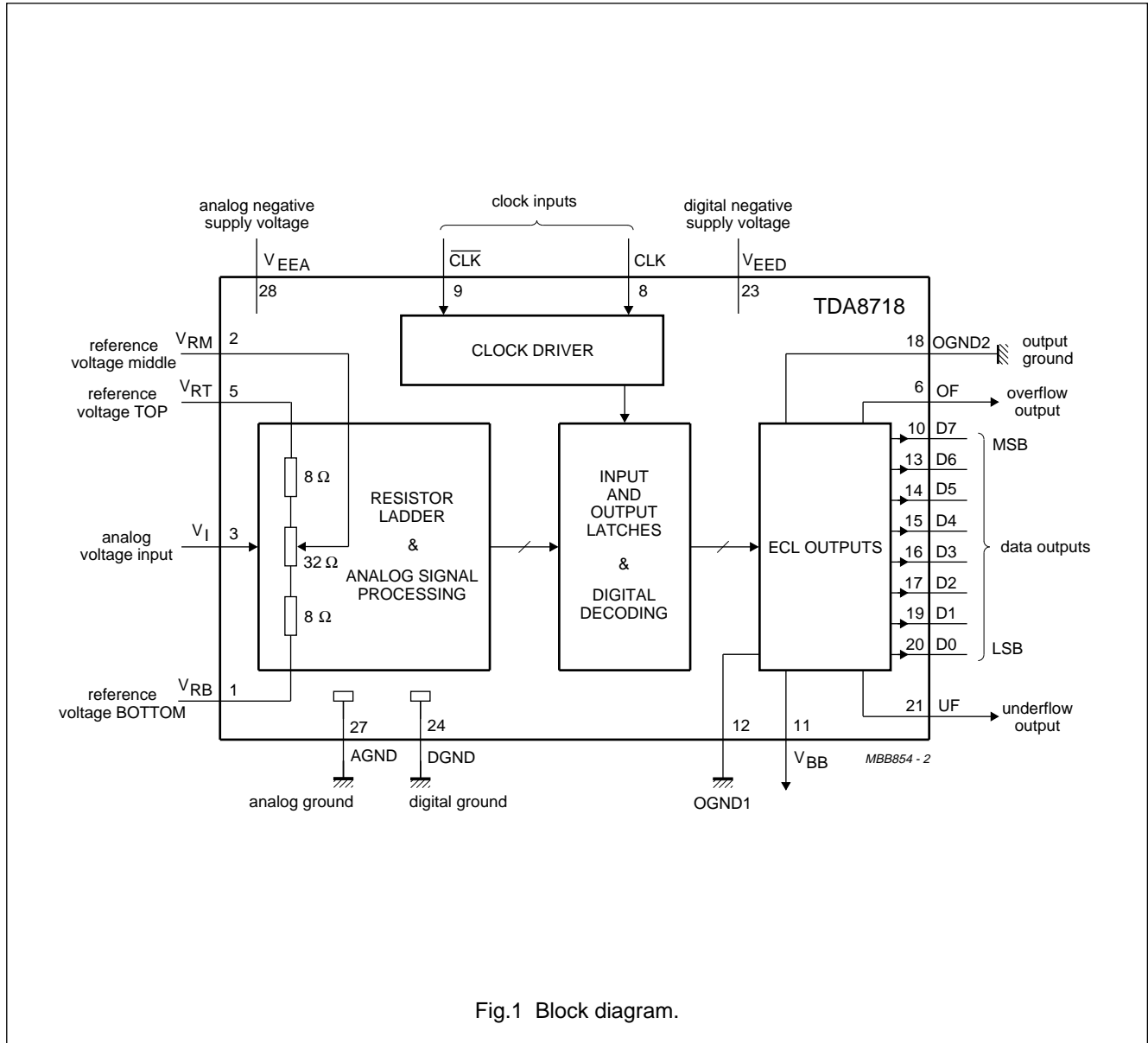


Fig.1 Block diagram.

8-bit high-speed analog-to-digital converter

TDA8718

PINNING

SYMBOL	PIN	DESCRIPTION
V _{RB}	1	reference voltage BOTTOM
V _{RM}	2	reference voltage MIDDLE decoupling
V _I	3	analog input voltage
n.c.	4	not connected
V _{RT}	5	reference voltage TOP
OF	6	overflow digital output
n.c.	7	not connected
CLK	8	clock input
$\overline{\text{CLK}}$	9	complementary clock input
D7	10	digital output; bit 7 (MSB)
V _{BB}	11	ECL reference voltage
OGND1	12	output ground 1 (0 V)
D6	13	digital output; bit 6
D5	14	digital output; bit 5
D4	15	digital output; bit 4
D3	16	digital output; bit 3
D2	17	digital output; bit 2
OGND2	18	output ground 2 (0 V)
D1	19	digital output; bit 1
D0	20	digital output; bit 0 (LSB)
UF	21	underflow digital output
n.c.	22	not connected
V _{EED}	23	digital supply voltage (-4.5 V)
DGND	24	digital ground
n.c.	25	not connected
n.c.	26	not connected
AGND	27	analog ground
V _{EEA}	28	analog supply voltage (-4.5 V)

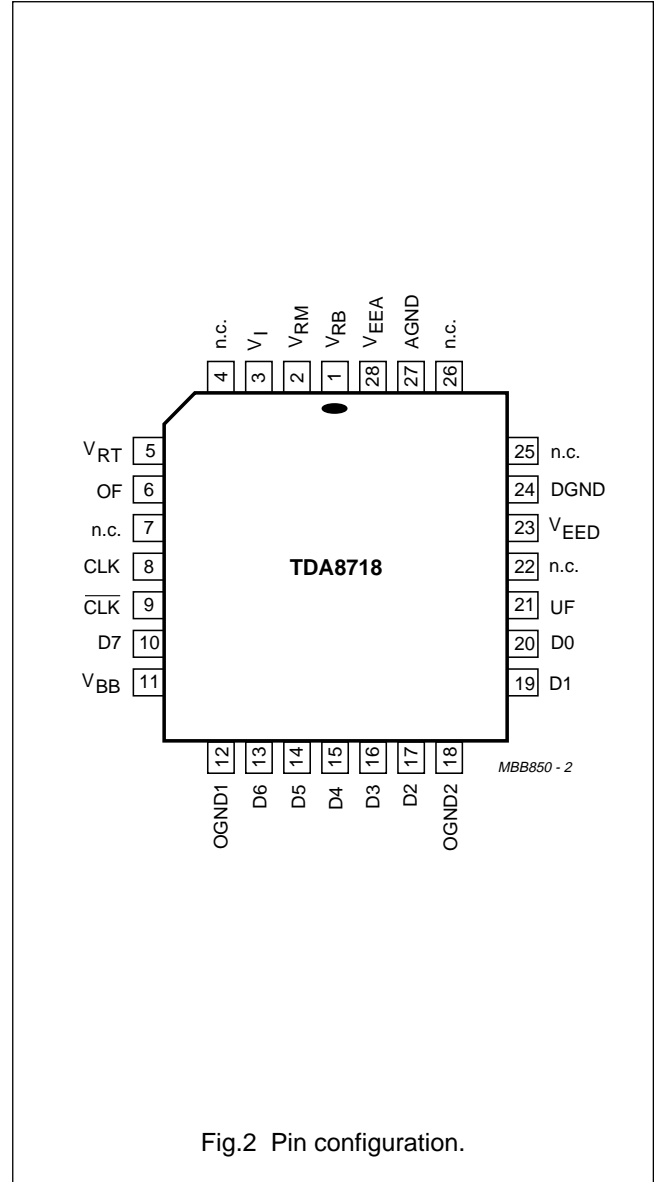


Fig.2 Pin configuration.

8-bit high-speed analog-to-digital converter

TDA8718

LIMITING VALUES

In accordance with the Absolute Maximum Rating System (IEC 134).

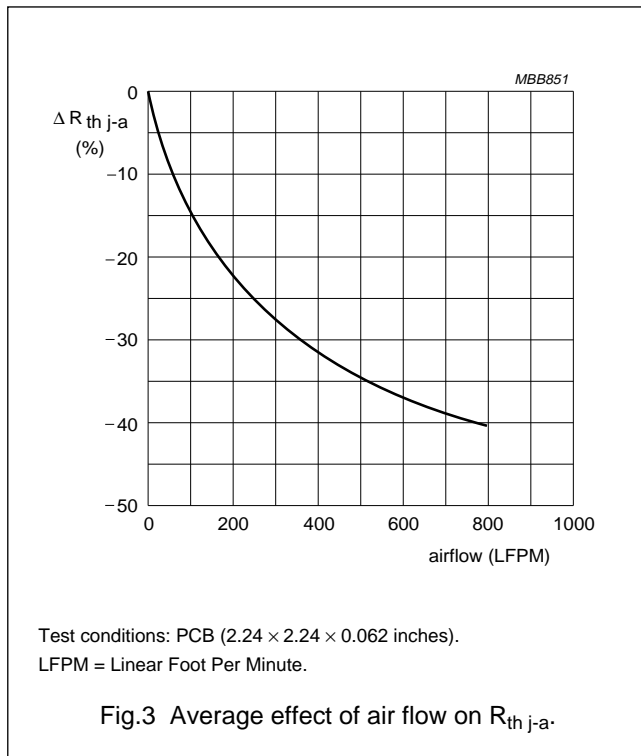
SYMBOL	PARAMETER	CONDITIONS	MIN.	MAX.	UNIT
V_{EEA}	analog supply voltage (pin 28)		-7.0	+0.3	V
V_{EED}	digital supply voltage (pin 23)		-7.0	+0.3	V
ΔV_{EE}	supply voltage difference between V_{EEA} and V_{EED}		-1.00	+1.0	V
V_I	input voltage (pin 3)	referenced to AGND	V_{EEA}	0	V
$\Delta V_{clk(p-p)}$	clock input voltage difference between CLK and \overline{CLK} pin 8 to pin 9 (peak-to-peak value)	referenced to V_{EED} ; note 1	-	2.0	V
I_O	output current for each digital output		-	30	mA
T_{stg}	storage temperature		-55	+150	°C
T_{amb}	operating ambient temperature		0	+70	°C
T_j	junction temperature		-	+150	°C

Note

1. The circuit has two clock inputs CLK and \overline{CLK} . Sampling takes place on the falling edge of the clock input signal; CLK and \overline{CLK} are two complementary signals.

THERMAL CHARACTERISTICS

SYMBOL	PARAMETER	VALUE	UNIT
$R_{th\ j-a}$	thermal resistance from junction to ambient in free air	55	K/W



8-bit high-speed analog-to-digital converter

TDA8718

CHARACTERISTICS

$V_{EEA} = -4.2$ to -4.8 V; $V_{EED} = -4.2$ to -4.8 V; V_{EEA} to $V_{EED} = -0.1$ to $+0.1$ V; AGND and DGND shorted together; $T_{amb} = 0$ to $+70$ °C; typical values measured at $V_{EEA} = -4.5$ V, $V_{EED} = -4.5$ V and $T_{amb} = 25$ °C; unless otherwise specified.

SYMBOL	PARAMETER	CONDITIONS	MIN.	TYP.	MAX.	UNIT
Supply						
V_{EEA}	analog supply voltage (pin 28)		-4.2	-4.5	-4.8	V
V_{EED}	digital supply voltage (pin 23)		-4.2	-4.5	-4.8	V
I_{EEA}	analog supply current (pin 28)		30	42	54	mA
I_{EED}	digital supply current (pin 23)		100	120	150	mA
$I_{EEO(L)}$	LOW level output supply current	$R_L = 50 \Omega$	40	70	90	mA
$I_{EEO(H)}$	HIGH level output supply current	$R_L = 50 \Omega$	155	170	185	mA
Reference voltages for the resistor ladder (see Table 1)						
I_{RT}	reference current (pin 5)	$R = 48 \Omega$	30	45	60	mA
V_{RB}	reference voltage BOTTOM (pin 1)		–	$48 \Omega \times I_{RT}$	–	V
V_{RT}	reference voltage TOP (pin 5)		–	0	–	V
R_{LAD}	resistor ladder		–	48	–	Ω
TC_{RLAD}	temperature coefficient of the resistor ladder		–	175	–	M Ω /K
V_{osB}	voltage offset BOTTOM	note 1	–	$8 \Omega \times I_{RT}$	–	mV
V_{osT}	voltage offset TOP	note 1	–	$8 \Omega \times I_{RT}$	–	mV
Inputs						
CLK INPUT (PIN 8); \overline{CLK} INPUT (PIN 9)						
V_{IL}	LOW level input voltage		–	-1.8	–	V
V_{IH}	HIGH level input voltage		–	-0.8	–	V
I_{IL}	LOW level input current	$V_{clk} = -1.8$ V	–	0	–	μ A
I_{IH}	HIGH level input current	$V_{clk} = -0.8$ V	–	120	–	μ A
R_I	input resistance	$f_{clk} = 100$ MHz	–	1.5	–	k Ω
C_I	input capacitance	$f_{clk} = 100$ MHz	–	3.5	–	pF
$\Delta V_{clk(p-p)}$	clock input voltage difference between CLK and \overline{CLK} pin 8 to pin 9 (peak-to-peak value)		–	900	–	mV
ANALOG INPUT (PIN 3); NOTE 2						
I_{IL}	LOW level input current	data output = 00	20	40	80	μ A
I_{IH}	HIGH level input current	data output = FF	100	200	400	μ A
R_I	input resistance		–	10	–	k Ω
C_I	input capacitance		–	5	–	pF

8-bit high-speed analog-to-digital converter

TDA8718

SYMBOL	PARAMETER	CONDITIONS	MIN.	TYP.	MAX.	UNIT
Outputs ($R_L = 50 \Omega$)						
DIGITAL 100K ECL OUTPUTS (D0 TO D7; OF; UF)						
V_{OL}	LOW level output voltage	$T_{amb} = 25 \text{ }^\circ\text{C}$	–	–1770	–1650	mV
V_{OH}	HIGH level output voltage	$T_{amb} = 25 \text{ }^\circ\text{C}$	–1300	–1150	–	mV
V_{ECL}	ECL reference voltage		–1550	–1450	–1350	mV
I_{OL}	LOW level output current		4	6	8	mA
I_{OH}	HIGH level output current		10	20	25	mA
Switching characteristics						
$f_{clk(max)}$	maximum clock frequency (pins 8 and 9)		600	–	–	MHz
t_r ; t_f	rise and fall times	$f_i = 100 \text{ MHz}$	–	–	750	ps
Analog signal processing ($f_{clk} = 500 \text{ MHz}$)						
HARMONICS (FULL SCALE)						
h_1	fundamental harmonics	$f_i = 100 \text{ MHz}$	–	0	–	dB
h_2	second harmonics	$f_i = 100 \text{ MHz}$	–	–54	–	dB
h_3	third harmonics	$f_i = 100 \text{ MHz}$	–	–50	–	dB
Transfer function						
ILE	DC integral linearity error		–	± 0.7	± 1.0	LSB
DLE	DC differential linearity error		–	± 0.3	± 0.5	LSB
AILE	AC integral linearity error	note 3	–	± 0.9	± 1.5	LSB
EB	effective bits	$f_i = 4.43 \text{ MHz}$, full scale; $I_{ref} = 45 \text{ mA}$; note 4; $f_{clk} = 100 \text{ MHz}$; Fig.5	–	7.5	–	bits
		$f_i = 100 \text{ MHz}$, full scale; $I_{ref} = 45 \text{ mA}$; note 4; $f_{clk} = 500 \text{ MHz}$; Fig.6	–	6.5	–	bits
BER	bit error rate	$f_{clk} = 500 \text{ MHz}$; $f_i = 100 \text{ MHz}$; $V_i = \pm 8 \text{ LSB}$ at code 128; 50% clock duty cycle	–	10^{-11}	–	times/ samples
Timing ($f_{clk} = 500 \text{ MHz}$; $R_L = 50 \Omega$; $C_L = 5 \text{ pF}$) note 5						
t_{ds}	sampling delay		–	–	300	ps
t_h	output hold time		400	700	–	ps
t_d	output delay time		–	1300	1500	ps

8-bit high-speed analog-to-digital converter

TDA8718

Notes to the "Characteristics"

1. Voltage offset BOTTOM (V_{osB}) is the difference between the analog input which produces data outputs equal to 00 and the reference voltage BOTTOM (V_{RB}) at $T_{amb} = 25\text{ }^{\circ}\text{C}$. Voltage offset TOP (V_{osT}) is the difference between reference voltage TOP (V_{RT}) and the analog input which produces data outputs equal to FF, at $T_{amb} = 25\text{ }^{\circ}\text{C}$.
2. The analog input is not internally biased. It should be externally biased between V_{RT} and V_{RB} levels.
3. Full-scale sine wave; $f_i = 4.43\text{ MHz}$; $f_{clk} = 100\text{ MHz}$.
4. Effective bits are obtained via a Fast Fourier Transform (FFT) treatment taking 4K acquisition points per period. The calculation takes into account all harmonics and noise up to half of the clock frequency (NYQUIST frequency). Conversion to signal-to-noise ratio: $S/N = EB \times 6.02 + 1.76\text{ dB}$.
5. TDA8718 can only withstand one or two 100K ECL loads in order to work out timings at the maximum sampling frequency. It is recommended to minimize the printed circuit-board load by implementing the load device as close as possible to the TDA8718.

Table 1 Output coding and input voltage (typical values; referenced to AGND).

STEP	V_I	O/UF	BINARY OUTPUT BITS					
			D5	D4	D3	D2	D1	D0
Underflow	$< -40\ \Omega \times I_{RT}$	1	0	0	0	0	0	0
0	$-40\ \Omega \times I_{RT}$	0	0	0	0	0	0	0
1	.	0	0	0	0	0	0	1
.
.
.
254	.	0	1	1	1	1	1	0
255	$-8\ \Omega \times I_{RT}$	0	1	1	1	1	1	1
Overflow	$> -8\ \Omega \times I_{RT}$	1	1	1	1	1	1	1

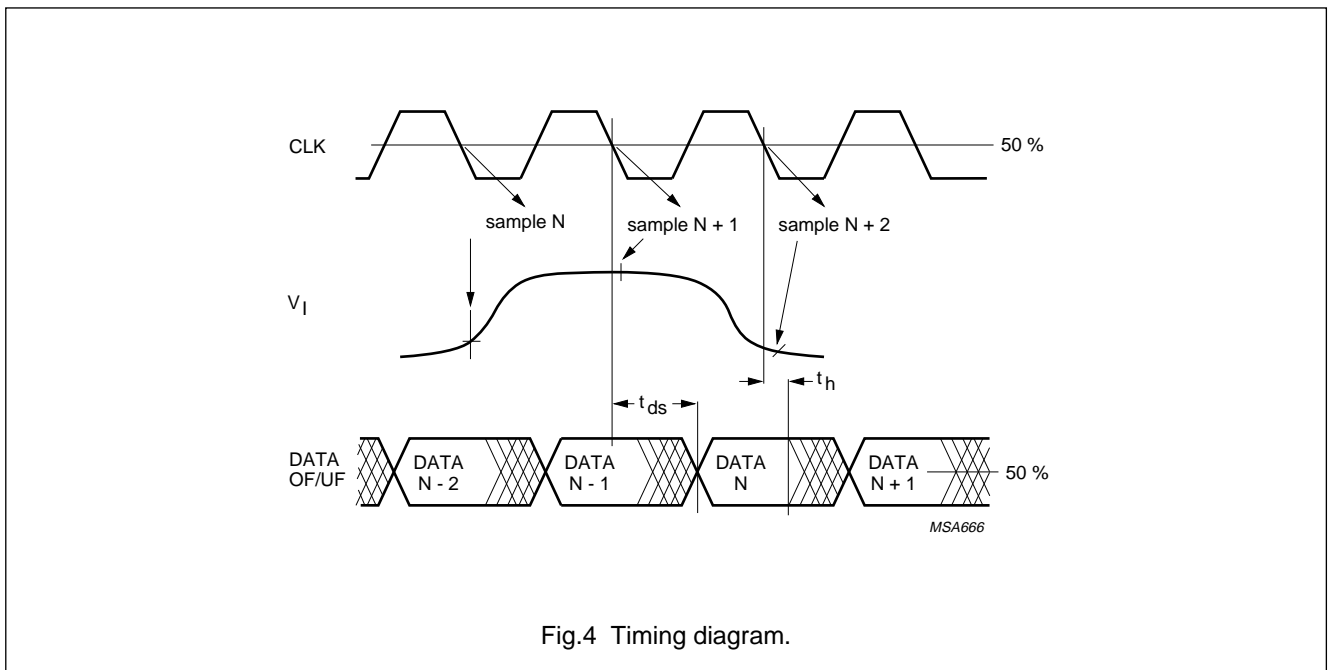
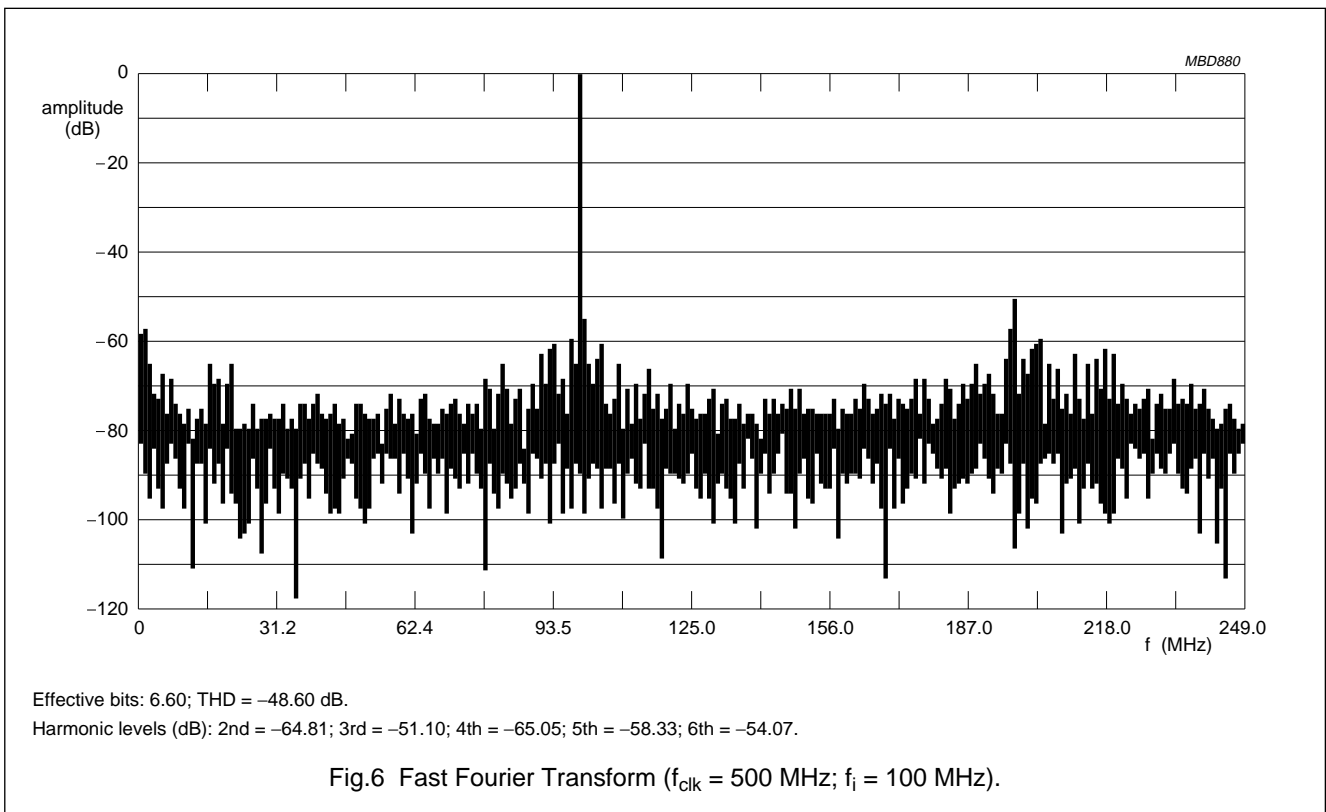
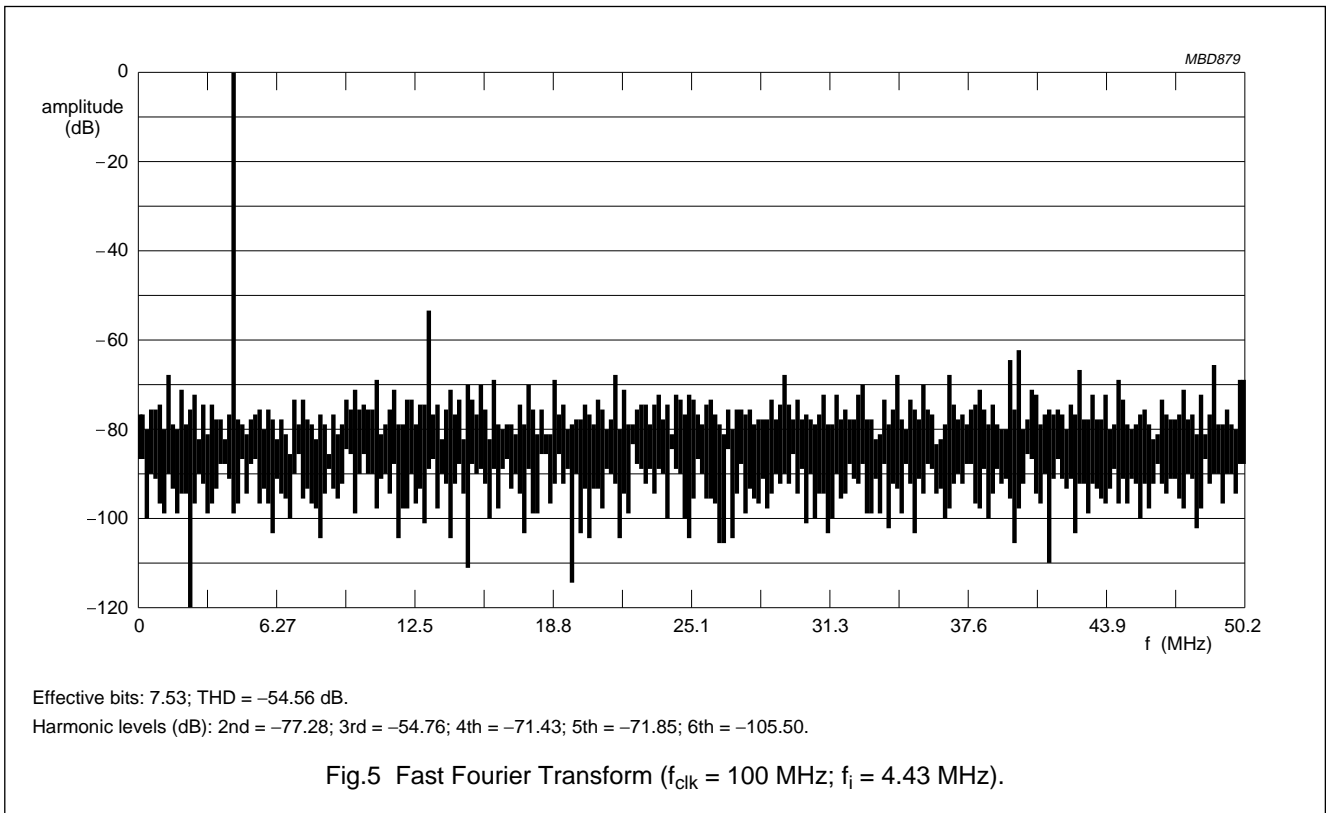


Fig.4 Timing diagram.

8-bit high-speed analog-to-digital converter

TDA8718



8-bit high-speed analog-to-digital converter

TDA8718

APPLICATION INFORMATION

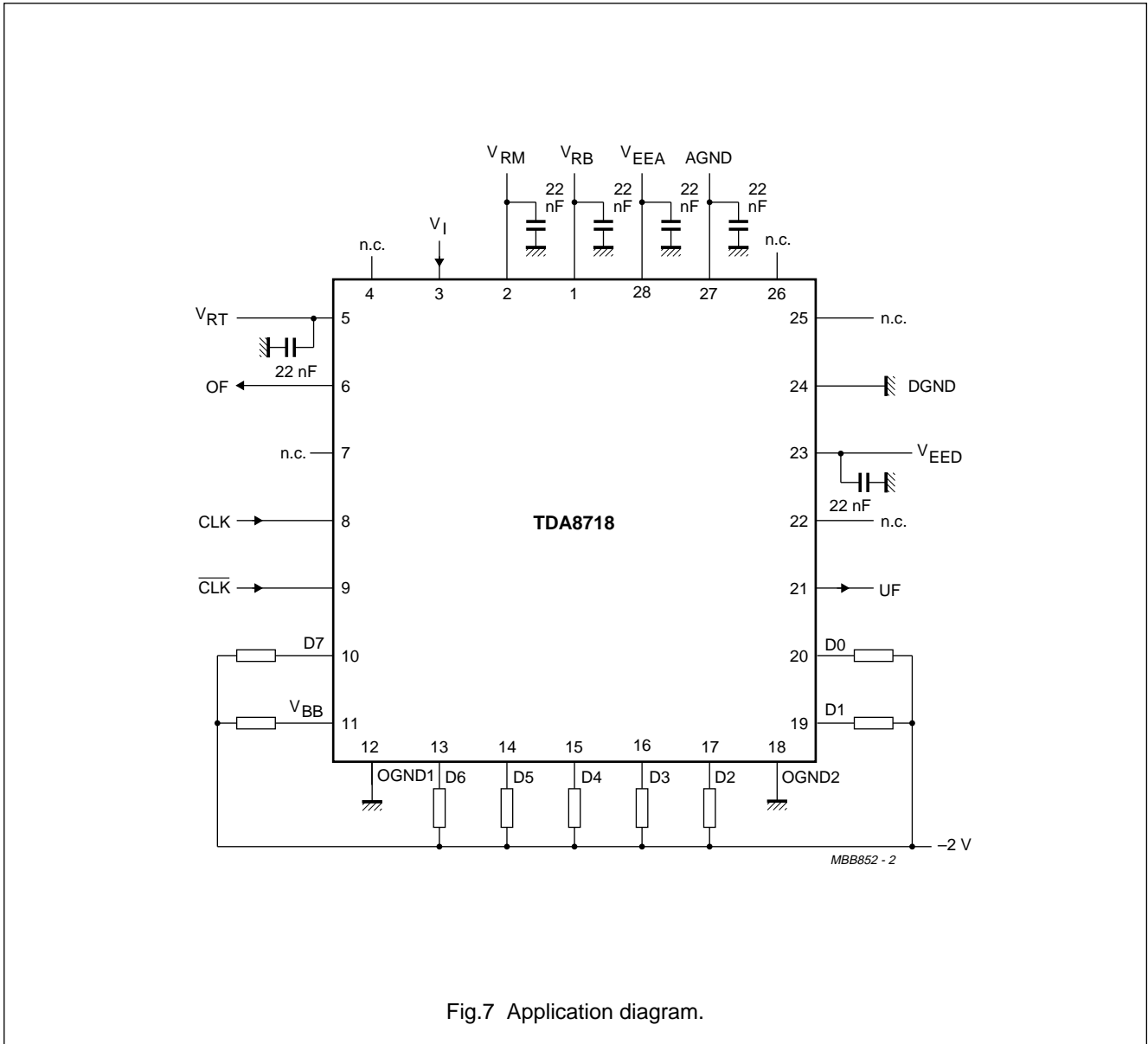
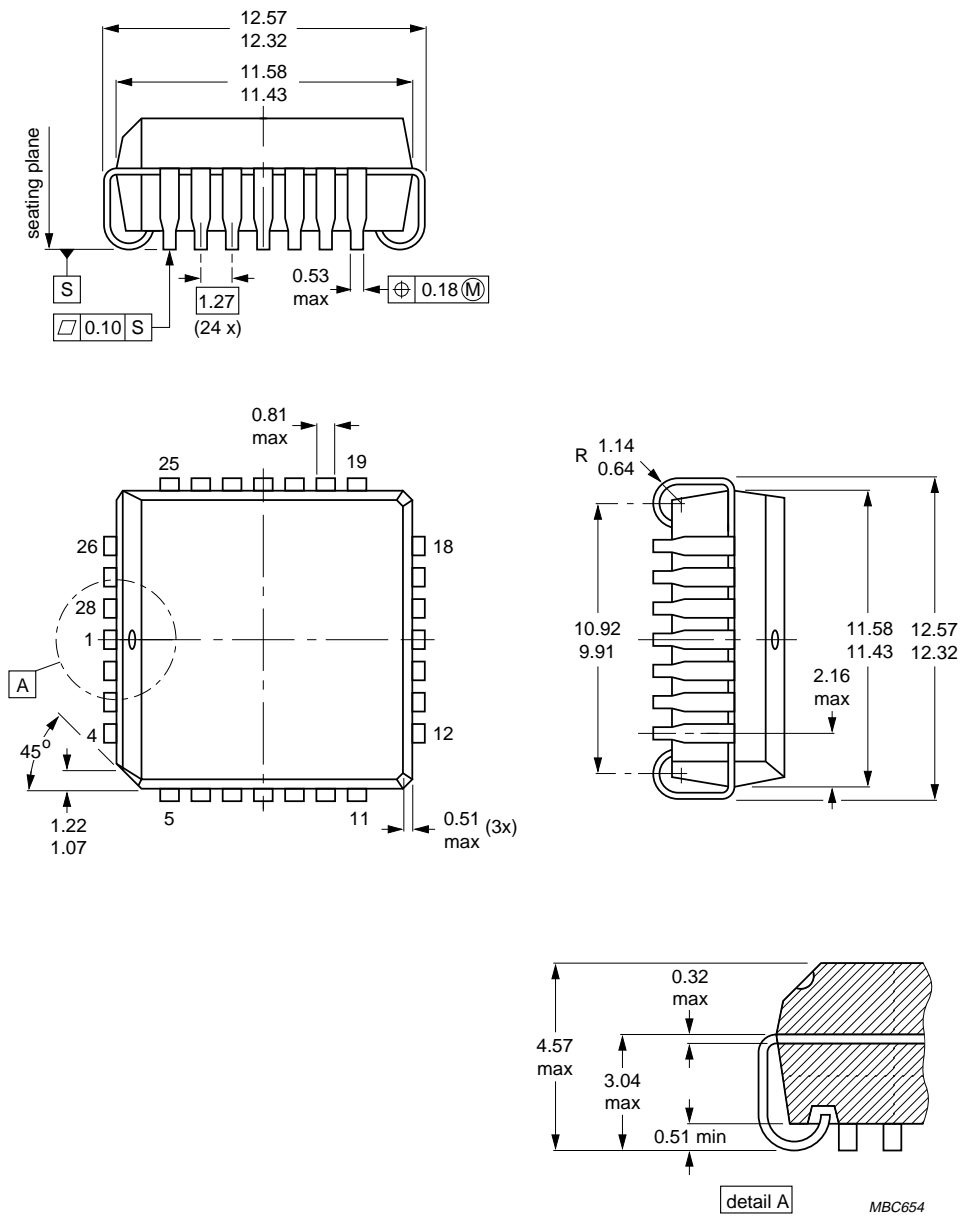


Fig.7 Application diagram.

8-bit high-speed analog-to-digital converter

TDA8718

PACKAGE OUTLINE



Dimensions in mm.

Fig.8 Plastic led chip carrier, 28-leads; SOT261-2.

8-bit high-speed analog-to-digital converter

TDA8718

SOLDERING**Plastic leaded chip carriers**

BY WAVE

During placement and before soldering, the component must be fixed with a droplet of adhesive. After curing the adhesive, the component can be soldered. The adhesive can be applied by screen printing, pin transfer or syringe dispensing.

Maximum permissible solder temperature is 260 °C, and maximum duration of package immersion in solder bath is 10 s, if allowed to cool to less than 150 °C within 6 s. Typical dwell time is 4 s at 250 °C.

A modified wave soldering technique is recommended using two solder waves (dual-wave), in which a turbulent wave with high upward pressure is followed by a smooth laminar wave. Using a mildly-activated flux eliminates the need for removal of corrosive residues in most applications.

BY SOLDER PASTE REFLOW

Reflow soldering requires the solder paste (a suspension of fine solder particles, flux and binding agent) to be

applied to the substrate by screen printing, stencilling or pressure-syringe dispensing before device placement.

Several techniques exist for reflowing; for example, thermal conduction by heated belt, infrared, and vapour-phase reflow. Dwell times vary between 50 and 300 s according to method. Typical reflow temperatures range from 215 to 250 °C.

Preheating is necessary to dry the paste and evaporate the binding agent. Preheating duration: 45 min at 45 °C.

REPAIRING SOLDERED JOINTS (BY HAND-HELD SOLDERING IRON OR PULSE-HEATED SOLDER TOOL)

Fix the component by first soldering two, diagonally opposite, end pins. Apply the heating tool to the flat part of the pin only. Contact time must be limited to 10 s at up to 300 °C. When using proper tools, all other pins can be soldered in one operation within 2 to 5 s at between 270 and 320 °C. (Pulse-heated soldering is not recommended for SO packages.)

For pulse-heated solder tool (resistance) soldering of VSO packages, solder is applied to the substrate by dipping or by an extra thick tin/lead plating before package placement.

DEFINITIONS

Data sheet status	
Objective specification	This data sheet contains target or goal specifications for product development.
Preliminary specification	This data sheet contains preliminary data; supplementary data may be published later.
Product specification	This data sheet contains final product specifications.
Limiting values	
Limiting values given are in accordance with the Absolute Maximum Rating System (IEC 134). Stress above one or more of the limiting values may cause permanent damage to the device. These are stress ratings only and operation of the device at these or at any other conditions above those given in the Characteristics sections of the specification is not implied. Exposure to limiting values for extended periods may affect device reliability.	
Application information	
Where application information is given, it is advisory and does not form part of the specification.	

LIFE SUPPORT APPLICATIONS

These products are not designed for use in life support appliances, devices, or systems where malfunction of these products can reasonably be expected to result in personal injury. Philips customers using or selling these products for use in such applications do so at their own risk and agree to fully indemnify Philips for any damages resulting from such improper use or sale.

8-bit high-speed analog-to-digital converter

TDA8718

NOTES

8-bit high-speed analog-to-digital converter

TDA8718

NOTES

8-bit high-speed analog-to-digital converter

TDA8718

NOTES

Philips Semiconductors – a worldwide company

Argentina: IEROD, Av. Juramento 1992 - 14.b, (1428)
BUENOS AIRES, Tel. (541)786 7633, Fax. (541)786 9367

Australia: 34 Waterloo Road, NORTH RYDE, NSW 2113,
Tel. (02)805 4455, Fax. (02)805 4466

Austria: Triester Str. 64, A-1101 WIEN, P.O. Box 213,
Tel. (01)60 101-1236, Fax. (01)60 101-1211

Belgium: Postbus 90050, 5600 PB EINDHOVEN, The Netherlands,
Tel. (31)40 783 749, Fax. (31)40 788 399

Brazil: Rua do Rocio 220 - 5th floor, Suite 51,
CEP: 04552-903-SÃO PAULO-SP, Brazil.
P.O. Box 7383 (01064-970).

Tel. (011)821-2327, Fax. (011)829-1849

Canada: INTEGRATED CIRCUITS:

Tel. (800)234-7381, Fax. (708)296-8556
DISCRETE SEMICONDUCTORS: 601 Milner Ave,
SCARBOROUGH, ONTARIO, M1B 1M8,
Tel. (416)292 5161 ext. 2336, Fax. (416)292 4477

Chile: Av. Santa Maria 0760, SANTIAGO,
Tel. (02)773 816, Fax. (02)777 6730

Colombia: IPRELENZO LTDA, Carrera 21 No. 56-17,
77621 BOGOTA, Tel. (571)249 7624/(571)217 4609,
Fax. (571)217 4549

Denmark: Prags Boulevard 80, PB 1919, DK-2300 COPENHAGEN S,
Tel. (032)88 2636, Fax. (031)57 1949

Finland: Sinikalliontie 3, FIN-02630 ESPOO,
Tel. (9)0-50261, Fax. (9)0-520971

France: 4 Rue du Port-aux-Vins, BP317,
92156 SURESNES Cedex,
Tel. (01)4099 6161, Fax. (01)4099 6427

Germany: PHILIPS COMPONENTS UB der Philips G.m.b.H.,
P.O. Box 10 63 23, 20043 HAMBURG,
Tel. (040)3296-0, Fax. (040)3296 213.

Greece: No. 15, 25th March Street, GR 17778 TAVROS,
Tel. (01)4894 339/4894 911, Fax. (01)4814 240

Hong Kong: PHILIPS HONG KONG Ltd., Components Div.,
6/F Philips Ind. Bldg., 24-28 Kung Yip St., KWAI CHUNG, N.T.,
Tel. (852)424 5121, Fax. (852)428 6729

India: Philips INDIA Ltd, Components Dept,
Shivsagar Estate, A Block,
Dr. Annie Besant Rd. Worli, Bombay 400 018
Tel. (022)4938 541, Fax. (022)4938 722

Indonesia: Philips House, Jalan H.R. Rasuna Said Kav. 3-4,
P.O. Box 4252, JAKARTA 12950,
Tel. (021)5201 122, Fax. (021)5205 189

Ireland: Newstead, Clonskeagh, DUBLIN 14,
Tel. (01)640 000, Fax. (01)640 200

Italy: PHILIPS COMPONENTS S.r.l.,
Viale F. Testi, 327, 20162 MILANO,
Tel. (02)6752.3302, Fax. (02)6752 3300.

Japan: Philips Bldg 13-37, Kohnan2-chome, Minato-ku, TOKYO 108,
Tel. (03)3740 5028, Fax. (03)3740 0580

Korea: (Republic of) Philips House, 260-199 Itaewon-dong,
Yongsan-ku, SEOUL, Tel. (02)794-5011, Fax. (02)798-8022

Malaysia: No. 76 Jalan Universiti, 46200 PETALING JAYA,
SELANGOR, Tel. (03)750 5214, Fax. (03)757 4880

Mexico: Philips Components, 5900 Gateway East, Suite 200,
EL PASO, TX 79905, Tel. 9-5(800)234-7381, Fax. (708)296-8556

Netherlands: Postbus 90050, 5600 PB EINDHOVEN, Bldg. VB
Tel. (040)783749, Fax. (040)788399

New Zealand: 2 Wagener Place, C.P.O. Box 1041, AUCKLAND,
Tel. (09)849-4160, Fax. (09)849-7811

Norway: Box 1, Manglerud 0612, OSLO,
Tel. (022)74 8000, Fax. (022)74 8341

Pakistan: Philips Electrical Industries of Pakistan Ltd.,
Exchange Bldg. ST-2/A, Block 9, KDA Scheme 5, Clifton,
KARACHI 75600, Tel. (021)587 4641-49,
Fax. (021)577035/5874546.

Philippines: PHILIPS SEMICONDUCTORS PHILIPPINES Inc,
106 Valero St. Salcedo Village, P.O. Box 2108 MCC, MAKATI,
Metro MANILA, Tel. (02)810 0161, Fax. (02)817 3474

Portugal: PHILIPS PORTUGUESA, S.A.,
Rua dr. António Loureiro Borges 5, Arquiparque - Miraflores,
Apartado 300, 2795 LINDA-A-VELHA,
Tel. (01)14163160/4163333, Fax. (01)14163174/4163366.

Singapore: Lorong 1, Toa Payoh, SINGAPORE 1231,
Tel. (65)350 2000, Fax. (65)251 6500

South Africa: S.A. PHILIPS Pty Ltd., Components Division,
195-215 Main Road Martindale, 2092 JOHANNESBURG,
P.O. Box 7430 Johannesburg 2000,
Tel. (011)470-5911, Fax. (011)470-5494.

Spain: Balmes 22, 08007 BARCELONA,
Tel. (03)301 6312, Fax. (03)301 42 43

Sweden: Kottbygatan 7, Akalla. S-164 85 STOCKHOLM,
Tel. (0)8-632 2000, Fax. (0)8-632 2745

Switzerland: Allmendstrasse 140, CH-8027 ZÜRICH,
Tel. (01)488 2211, Fax. (01)481 77 30

Taiwan: PHILIPS TAIWAN Ltd., 23-30F, 66, Chung Hsiao West
Road, Sec. 1. Taipei, Taiwan ROC, P.O. Box 22978,
TAIPEI 100, Tel. (02)388 7666, Fax. (02)382 4382.

Thailand: PHILIPS ELECTRONICS (THAILAND) Ltd.,
209/2 Sanpavuth-Bangna Road Prakanong,
Bangkok 10260, THAILAND,
Tel. (662)398-0141, Fax. (662)398-3319.

Turkey: Talatpasa Cad. No. 5, 80640 GÜLTEPE/ISTANBUL,
Tel. (0212)279 2770, Fax. (0212)269 3094

United Kingdom: Philips Semiconductors Limited, P.O. Box 65,
Philips House, Torrington Place, LONDON, WC1E 7HD,
Tel. (071)436 41 44, Fax. (071)323 03 42

United States: INTEGRATED CIRCUITS:
811 East Arques Avenue, SUNNYVALE, CA 94088-3409,
Tel. (800)234-7381, Fax. (708)296-8556
DISCRETE SEMICONDUCTORS: 2001 West Blue Heron Blvd.,
P.O. Box 10330, RIVIERA BEACH, FLORIDA 33404,
Tel. (800)447-3762 and (407)881-3200, Fax. (407)881-3300

Uruguay: Coronel Mora 433, MONTEVIDEO,
Tel. (02)70-4044, Fax. (02)92 0601

For all other countries apply to: Philips Semiconductors,
International Marketing and Sales, Building BAF-1,
P.O. Box 218, 5600 MD, EINDHOVEN, The Netherlands,
Telex 35000 phtcnl, Fax. +31-40-724825

SCD31 © Philips Electronics N.V. 1994

All rights are reserved. Reproduction in whole or in part is prohibited without the prior written consent of the copyright owner.

The information presented in this document does not form part of any quotation or contract, is believed to be accurate and reliable and may be changed without notice. No liability will be accepted by the publisher for any consequence of its use. Publication thereof does not convey nor imply any license under patent- or other industrial or intellectual property rights.

Printed in The Netherlands

533061/1500/04/pp16
Document order number:

Date of release: June 1994
9397 734 40011

Philips Semiconductors



PHILIPS