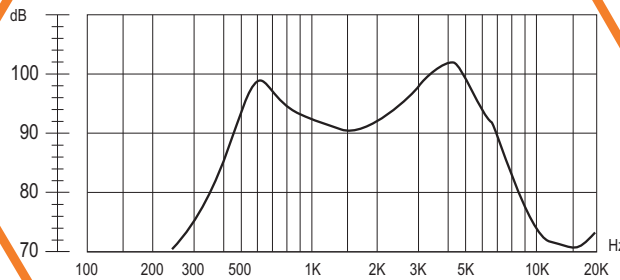
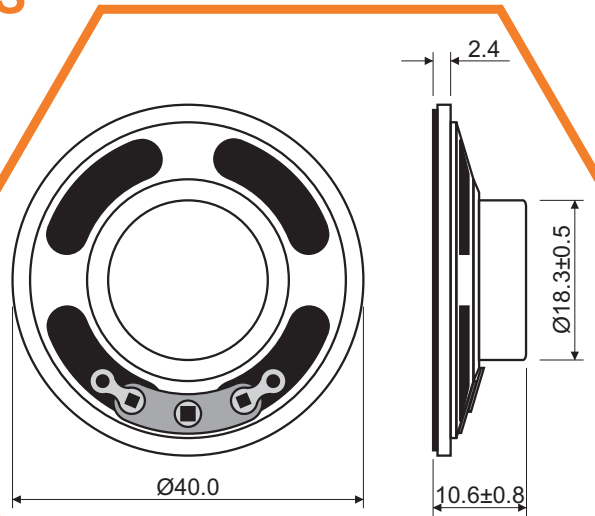


SoniCrest

SPEAKER SOUND GENERATORS

HSP40G-8



Dimension

Unit : mm
Tolerance : ±0.3mm

Frequency Response

Normalized to 1W Input Power and 0.1m Measuring Distance

● **Specification** (all data taken at 25°C unless otherwise specified)

Coil Impedance (Ω)	Rated Power (W)	Maximum Input Power (W)	Resonance Frequency (Hz)	★Frequency Range (Hz)	★sound Output at 1kHz (dB)	Operating Temperature (°C)	Storage Temperature (°C)
8 ± 15%	0.25	0.5	600 ± 20%	600 ~ 5000	92 ± 3	-20 ~ +60	-30 ~ +70

HSP40G-8

The specification are only for 8Ω version. Specification for other impedance is available upon request.
★value normalized to 1W input power and 0.1m measuring distance.

www.jlworld.com