

DATA SHEET

74LV154

4-to-16 line decoder/demultiplexer

Product specification
Supersedes data of 1997 Mar 07
IC24 Data Handbook

1998 Apr 28

4-to-16 line decoder/demultiplexer

74LV154

FEATURES

- Optimized for low voltage applications: 1.0 to 3.6 V
- Accepts TTL input levels between $V_{CC} = 2.7$ V and $V_{CC} = 3.6$ V
- Typical V_{OLP} (output ground bounce) < 0.8 V at $V_{CC} = 3.3$ V, $T_{amb} = 25^{\circ}\text{C}$
- Typical V_{OHV} (output V_{OH} undershoot) > 2 V at $V_{CC} = 3.3$ V, $T_{amb} = 25^{\circ}\text{C}$
- 16-line demultiplexing capability
- Decodes 4 binary-coded inputs into one of 16 mutually exclusive outputs
- 2-input enable gate for strobing or expansion
- Output capability: standard
- I_{CC} category: MSI

DESCRIPTION

The 74LV154 is a low-voltage CMOS device and is pin and function compatible with 74HC/HCT154.

The 74LV154 decoders accept four active HIGH binary address inputs (A_0 to A_3) and provide 16 mutually exclusive active LOW outputs (\bar{Y}_0 to \bar{Y}_{15}).

The 2-input enable inputs (\bar{E}_0 , \bar{E}_1) can be used to strobe the decoder to eliminate the normal decoding "glitches" on the outputs, or it can be used for expansion of the decoder.

The enable input has two AND'ed inputs which must be LOW to enable the outputs.

The 74LV154 can be used as a 1-to-16 demultiplexer by using one of the enable inputs as the multiplexed data input.

When the other enable is LOW, the addressed output will follow the state of the applied data.

QUICK REFERENCE DATA

GND = 0 V; $T_{amb} = 25^{\circ}\text{C}$; $t_r = t_f \leq 2.5$ ns

| SYMBOL | PARAMETER | CONDITIONS | TYPICAL | UNIT |
|-------------------|---|------------------------------------|---------|------|
| t_{PHL}/t_{PLH} | Propagation delay A_n , \bar{E}_n to \bar{Y}_n | $C_L = 15$ pF; $V_{CC} = 3.3$ V | 11 | ns |
| C_I | Input capacitance | | 3.5 | pF |
| C_{PD} | Power dissipation capacitance per gate | $V_I = \text{GND to } V_{CC}^1$ | 60 | pF |

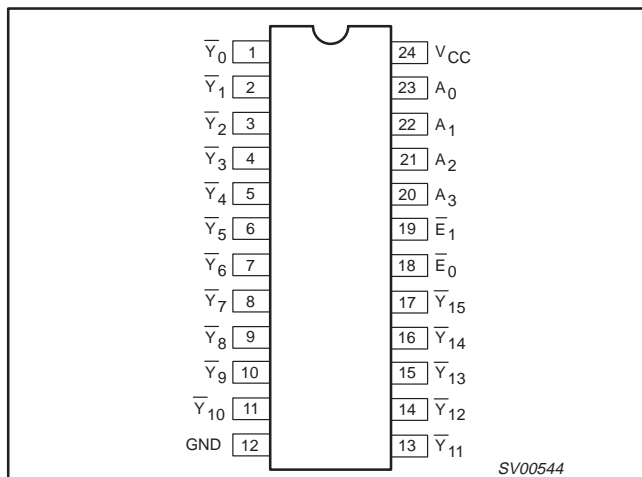
NOTE:

1. C_{PD} is used to determine the dynamic power dissipation (P_D in μW)
 $P_D = C_{PD} \times V_{CC}^2 \times f_i + \Sigma (C_L \times V_{CC}^2 \times f_o)$ where:
 f_i = input frequency in MHz; C_L = output load capacitance in pF;
 f_o = output frequency in MHz; V_{CC} = supply voltage in V;
 $\Sigma (C_L \times V_{CC}^2 \times f_o)$ = sum of the outputs.

ORDERING INFORMATION

| PACKAGES | TEMPERATURE RANGE | OUTSIDE NORTH AMERICA | NORTH AMERICA | PKG. DWG. # |
|-----------------------------|---|-----------------------|---------------|-------------|
| 24-Pin Plastic DIL | -40°C to $+125^{\circ}\text{C}$ | 74LV154 N | 74LV154 N | SOT101-1 |
| 24-Pin Plastic SO | -40°C to $+125^{\circ}\text{C}$ | 74LV154 D | 74LV154 D | SOT137-1 |
| 24-Pin Plastic SSOP Type II | -40°C to $+125^{\circ}\text{C}$ | 74LV154 DB | 74LV154 DB | SOT340-1 |
| 24-Pin Plastic TSSOP Type I | -40°C to $+125^{\circ}\text{C}$ | 74LV154 PW | 74LV154PW DH | SOT355-1 |

PIN CONFIGURATION



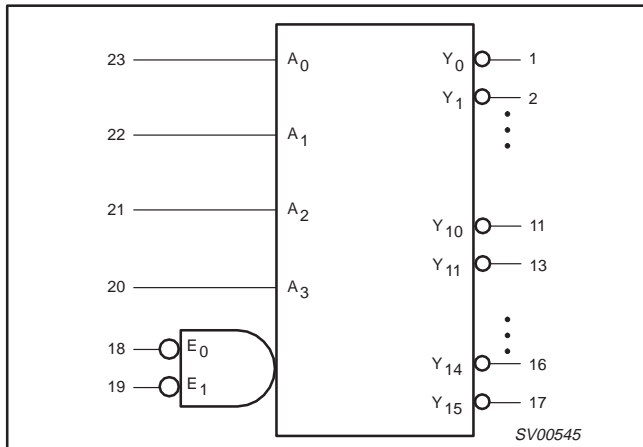
PIN DESCRIPTION

| PIN NUMBER | SYMBOL | FUNCTION |
|---|-------------------------------|----------------------------|
| 1, 2, 3, 4, 5, 6, 7, 8, 9, 10, 11, 13, 14, 15, 16, 17 | \bar{Y}_0 to \bar{Y}_{15} | Outputs (active LOW) |
| 18, 19 | \bar{E}_0 , \bar{E}_1 | Enable inputs (active LOW) |
| 12 | GND | Ground (0 V) |
| 23, 22, 21, 20 | A_0 to A_3 | Address inputs |
| 16 | V_{CC} | Positive supply voltage |

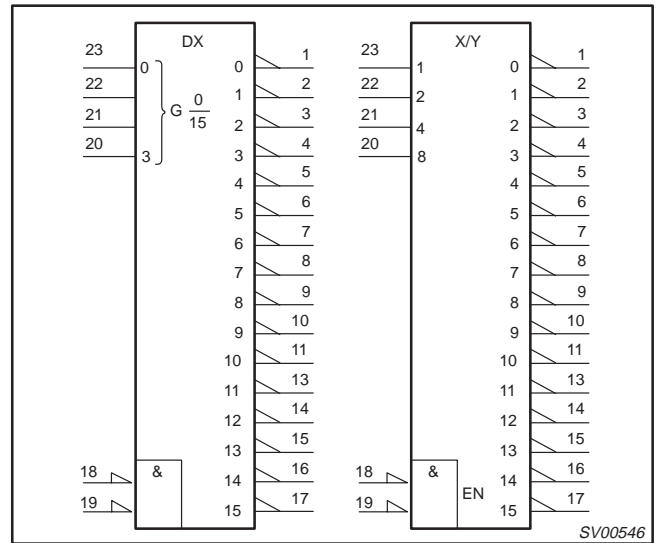
4-to-16 line decoder/demultiplexer

74LV154

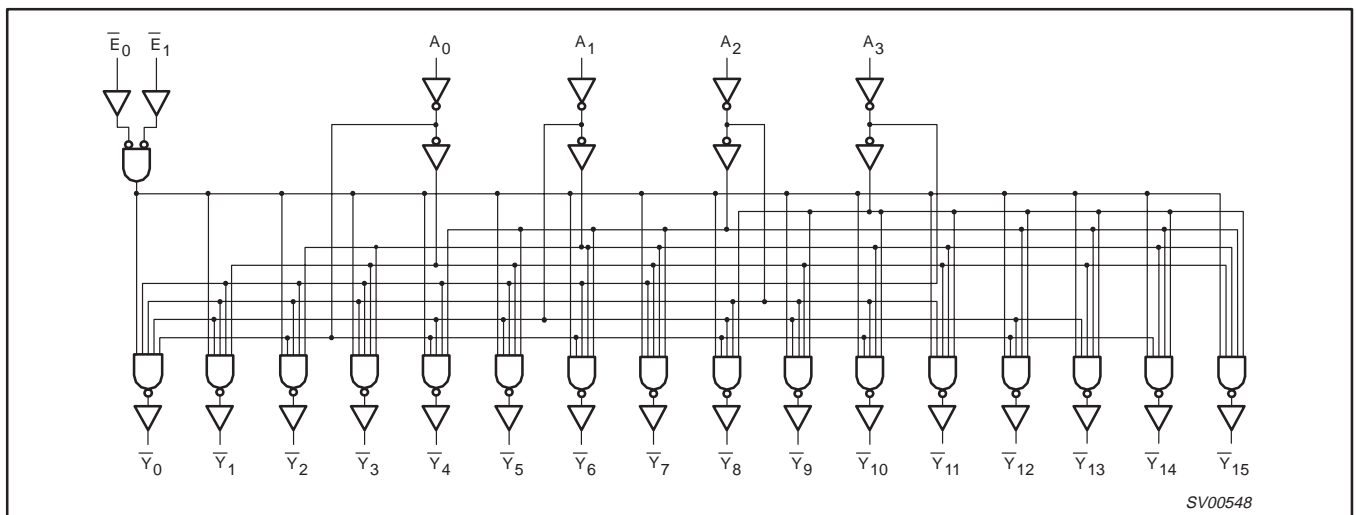
LOGIC SYMBOL



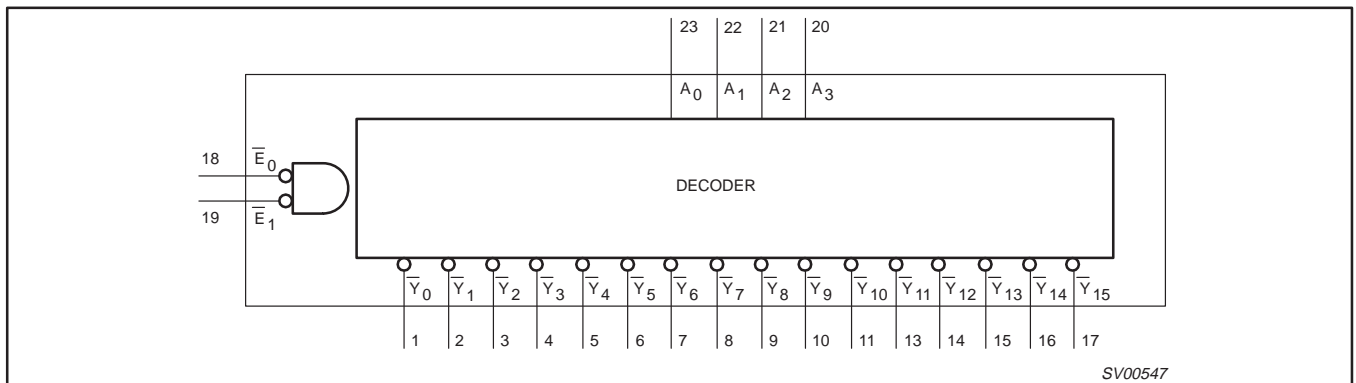
LOGIC SYMBOL (IEEE/IEC)



LOGIC DIAGRAM



FUNCTIONAL DIAGRAM



4-to-16 line decoder/demultiplexer

74LV154

FUNCTION TABLE

| | | INPUTS | | | | OUTPUTS | | | | | | | | | | | | | | | | |
|-------------|-------------|--------|-------|-------|-------|-------------|-------------|-------------|-------------|-------------|-------------|-------------|-------------|-------------|-------------|----------------|----------------|----------------|----------------|----------------|----------------|---|
| \bar{E}_0 | \bar{E}_1 | A_0 | A_1 | A_2 | A_3 | \bar{Y}_0 | \bar{Y}_1 | \bar{Y}_2 | \bar{Y}_3 | \bar{Y}_4 | \bar{Y}_5 | \bar{Y}_6 | \bar{Y}_7 | \bar{Y}_8 | \bar{Y}_9 | \bar{Y}_{10} | \bar{Y}_{11} | \bar{Y}_{12} | \bar{Y}_{13} | \bar{Y}_{14} | \bar{Y}_{15} | |
| H | H | X | X | X | X | H | H | H | H | H | H | H | H | H | H | H | H | H | H | H | H | H |
| H | L | X | X | X | X | H | H | H | H | H | H | H | H | H | H | H | H | H | H | H | H | H |
| L | H | X | X | X | X | H | H | H | H | H | H | H | H | H | H | H | H | H | H | H | H | H |
| L | L | L | L | L | L | L | H | H | H | H | H | H | H | H | H | H | H | H | H | H | H | H |
| L | L | L | L | L | L | L | H | L | H | H | H | H | H | H | H | H | H | H | H | H | H | H |
| L | L | L | L | L | L | L | H | H | L | H | H | H | H | H | H | H | H | H | H | H | H | H |
| L | L | L | L | L | L | L | H | H | H | L | H | H | H | H | H | H | H | H | H | H | H | H |
| L | L | L | L | L | L | L | H | H | H | H | L | H | H | H | H | H | H | H | H | H | H | H |
| L | L | L | L | L | L | L | H | H | H | H | H | L | H | H | H | H | H | H | H | H | H | H |
| L | L | L | L | L | L | L | H | H | H | H | H | H | L | H | H | H | H | H | H | H | H | H |
| L | L | L | L | L | L | L | H | H | H | H | H | H | H | L | H | H | H | H | H | H | H | H |
| L | L | L | L | L | L | L | H | H | H | H | H | H | H | H | L | H | H | H | H | H | H | H |
| L | L | L | L | L | L | L | H | H | H | H | H | H | H | H | H | L | H | H | H | H | H | H |
| L | L | L | L | L | L | L | H | H | H | H | H | H | H | H | H | H | L | H | H | H | H | H |
| L | L | L | L | L | L | L | H | H | H | H | H | H | H | H | H | H | H | L | H | H | H | H |
| L | L | L | L | L | L | L | H | H | H | H | H | H | H | H | H | H | H | H | L | H | H | H |
| L | L | L | L | L | L | L | H | H | H | H | H | H | H | H | H | H | H | H | H | L | H | H |
| L | L | L | L | L | L | L | H | H | H | H | H | H | H | H | H | H | H | H | H | H | L | H |
| L | L | L | L | L | L | L | H | H | H | H | H | H | H | H | H | H | H | H | H | H | H | L |

NOTES:

H = HIGH voltage level
L = LOW voltage level
X = don't care

RECOMMENDED OPERATING CONDITIONS

| SYMBOL | PARAMETER | CONDITIONS | MIN | TYP | MAX | UNIT |
|------------|---|---|-------------|-------------|-------------------|------|
| V_{CC} | DC supply voltage | See Note 1 | 1.0 | 3.3 | 3.6 | V |
| V_I | Input voltage | | 0 | – | V_{CC} | V |
| V_O | Output voltage | | 0 | – | V_{CC} | V |
| T_{amb} | Operating ambient temperature range in free air | See DC and AC characteristics | –40 –40 | | +85 +125 | °C |
| t_r, t_f | Input rise and fall times | $V_{CC} = 1.0V$ to $2.0V$ $V_{CC} = 2.0V$ to $2.7V$ $V_{CC} = 2.7V$ to $3.6V$ | – – – | – – – | 500 200 100 | ns/V |

NOTE:

1. The LV is guaranteed to function down to $V_{CC} = 1.0V$ (input levels GND or V_{CC}); DC characteristics are guaranteed from $V_{CC} = 1.2V$ to $V_{CC} = 3.6V$.

4-to-16 line decoder/demultiplexer

74LV154

ABSOLUTE MAXIMUM RATINGS^{1, 2}

In accordance with the Absolute Maximum Rating System (IEC 134).

Voltages are referenced to GND (ground = 0 V).

| SYMBOL | PARAMETER | CONDITIONS | RATING | UNIT |
|---------------------------------|---|--|-------------------|------|
| V_{CC} | DC supply voltage | | -0.5 to +4.6 | V |
| $\pm I_{IK}$ | DC input diode current | $V_I < -0.5$ or $V_I > V_{CC} + 0.5V$ | 20 | mA |
| $\pm I_{OK}$ | DC output diode current | $V_O < -0.5$ or $V_O > V_{CC} + 0.5V$ | 50 | mA |
| $\pm I_O$ | DC output source or sink current – standard outputs | $-0.5V < V_O < V_{CC} + 0.5V$ | 25 | mA |
| $\pm I_{GND}$, $\pm I_{CC}$ | DC V_{CC} or GND current for types with – standard outputs | | 50 | mA |
| T_{stg} | Storage temperature range | | -65 to +150 | °C |
| P_{TOT} | Power dissipation per package – plastic DIL – plastic mini-pack (SO) – plastic shrink mini-pack (SSOP and TSSOP) | for temperature range: -40 to +125°C above +70°C derate linearly with 12 mW/K above +70°C derate linearly with 8 mW/K above +60°C derate linearly with 5.5 mW/K | 750 500 400 | mW |

NOTES:

- Stresses beyond those listed may cause permanent damage to the device. These are stress ratings only and functional operation of the device at these or any other conditions beyond those indicated under “recommended operating conditions” is not implied. Exposure to absolute-maximum-rated conditions for extended periods may affect device reliability.
- The input and output voltage ratings may be exceeded if the input and output current ratings are observed.

DC ELECTRICAL CHARACTERISTICS

Over recommended operating conditions. Voltages are referenced to GND (ground = 0 V).

| SYMBOL | PARAMETER | TEST CONDITIONS | LIMITS | | | | | UNIT |
|----------|---|---|----------------|------------------|------|-----------------|------|---------|
| | | | -40°C to +85°C | | | -40°C to +125°C | | |
| | | | MIN | TYP ¹ | MAX | MIN | MAX | |
| V_{IH} | HIGH level Input voltage | $V_{CC} = 1.2 V$ | 0.9 | | | 0.9 | | V |
| | | $V_{CC} = 2.0 V$ | 1.4 | | | 1.4 | | |
| | | $V_{CC} = 2.7$ to $3.6 V$ | 2.0 | | | 2.0 | | |
| V_{IL} | LOW level Input voltage | $V_{CC} = 1.2 V$ | | | 0.3 | | 0.3 | V |
| | | $V_{CC} = 2.0 V$ | | | 0.6 | | 0.6 | |
| | | $V_{CC} = 2.7$ to $3.6 V$ | | | 0.8 | | 0.8 | |
| V_{OH} | HIGH level output voltage; all outputs | $V_{CC} = 1.2 V$; $V_I = V_{IH}$ or V_{IL} ; $-I_O = 100\mu A$ | | 1.2 | | | | V |
| | | $V_{CC} = 2.0 V$; $V_I = V_{IH}$ or V_{IL} ; $-I_O = 100\mu A$ | 1.8 | 2.0 | | 1.8 | | |
| | | $V_{CC} = 2.7 V$; $V_I = V_{IH}$ or V_{IL} ; $-I_O = 100\mu A$ | 2.5 | 2.7 | | 2.5 | | |
| | | $V_{CC} = 3.0 V$; $V_I = V_{IH}$ or V_{IL} ; $-I_O = 100\mu A$ | 2.8 | 3.0 | | 2.8 | | |
| V_{OH} | HIGH level output voltage; STANDARD outputs | $V_{CC} = 3.0 V$; $V_I = V_{IH}$ or V_{IL} ; $-I_O = 6mA$ | 2.40 | 2.82 | | 2.20 | | V |
| V_{OL} | LOW level output voltage; all outputs | $V_{CC} = 1.2 V$; $V_I = V_{IH}$ or V_{IL} ; $I_O = 100\mu A$ | | 0 | | | | V |
| | | $V_{CC} = 2.0 V$; $V_I = V_{IH}$ or V_{IL} ; $I_O = 100\mu A$ | | 0 | 0.2 | | 0.2 | |
| | | $V_{CC} = 2.7 V$; $V_I = V_{IH}$ or V_{IL} ; $I_O = 100\mu A$ | | 0 | 0.2 | | 0.2 | |
| | | $V_{CC} = 3.0 V$; $V_I = V_{IH}$ or V_{IL} ; $I_O = 100\mu A$ | | 0 | 0.2 | | 0.2 | |
| V_{OL} | LOW level output voltage; STANDARD outputs | $V_{CC} = 3.0 V$; $V_I = V_{IH}$ or V_{IL} ; $I_O = 6mA$ | | 0.25 | 0.40 | | 0.50 | V |
| I_I | Input leakage current | $V_{CC} = 3.6 V$; $V_I = V_{CC}$ or GND | | | 1.0 | | 1.0 | μA |

4-to-16 line decoder/demultiplexer

74LV154

DC ELECTRICAL CHARACTERISTICS (Continued)

Over recommended operating conditions. Voltages are referenced to GND (ground = 0 V).

| SYMBOL | PARAMETER | TEST CONDITIONS | LIMITS | | | | | UNIT |
|-----------------|---|---|----------------|------------------|------|-----------------|-----|---------------|
| | | | -40°C to +85°C | | | -40°C to +125°C | | |
| | | | MIN | TYP ¹ | MAX | MIN | MAX | |
| I_{CC} | Quiescent supply current; MSI | $V_{CC} = 3.6\text{ V}; V_I = V_{CC}$ or GND; $I_O = 0$ | | | 20.0 | | 160 | μA |
| ΔI_{CC} | Additional quiescent supply current per input | $V_{CC} = 2.7\text{ V to } 3.6\text{ V}; V_I = V_{CC} - 0.6\text{ V}$ | | | 500 | | 850 | μA |

NOTE:

1. All typical values are measured at $T_{amb} = 25^\circ\text{C}$.

AC CHARACTERISTICS

GND = 0V; $t_r = t_f \leq 2.5\text{ ns}$; $C_L = 50\text{ pF}$; $R_L = 1\text{ K}\Omega$

| SYMBOL | PARAMETER | WAVEFORM | CONDITION | LIMITS | | | | | UNIT |
|-------------------|--|--------------|-------------|---------------|------------------|-----|----------------|-----|------|
| | | | | -40 to +85 °C | | | -40 to +125 °C | | |
| | | | | MIN | TYP ¹ | MAX | MIN | MAX | |
| t_{PHL}/t_{PLH} | Propagation delay A_n to \bar{Y}_n | Figures 1, 2 | $V_{CC}(V)$ | | | | | | ns |
| | | | 1.2 | | 65 | | | | |
| | | | 2.0 | | 22 | 43 | | 51 | |
| | | | 2.7 | | 16 | 31 | | 38 | |
| | | | 3.0 to 3.6 | | 12 ² | 25 | | 30 | |
| t_{PHL}/t_{PLH} | Propagation delay \bar{E}_n to \bar{Y}_n | Figures 1, 2 | $V_{CC}(V)$ | | | | | | ns |
| | | | 1.2 | | 70 | | | | |
| | | | 2.0 | | 24 | 44 | | 54 | |
| | | | 2.7 | | 18 | 33 | | 40 | |
| | | | 3.0 to 3.6 | | 13 ² | 26 | | 32 | |

NOTES:

- 1. Unless otherwise stated, all typical values are measured at $T_{amb} = 25^\circ\text{C}$.
- 2. Typical values are measured at $V_{CC} = 3.3\text{ V}$.

AC WAVEFORMS

$V_M = 1.5\text{ V}$ at $V_{CC} \geq 2.7\text{ V}$;

$V_M = 0.5 \times V_{CC}$ at $V_{CC} < 2.7\text{ V}$;

V_{OL} and V_{OH} are the typical output voltage drop that occur with the output load.

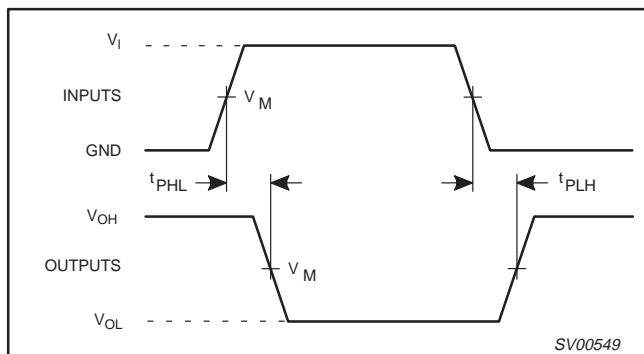


Figure 1. Address input (A_n) to output (\bar{Y}_n) propagation delays.

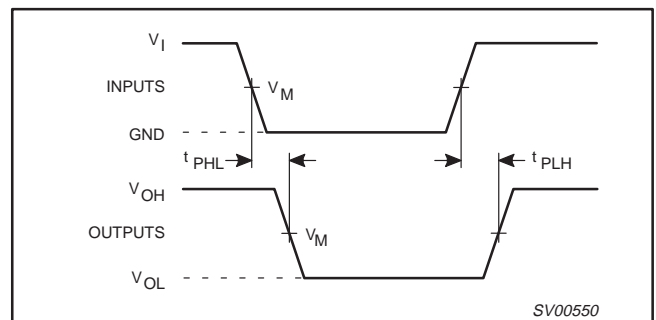


Figure 2. Enable input (\bar{E}_n) to output (\bar{Y}_n) propagation delays.

4-to-16 line decoder/demultiplexer

74LV154

TEST CIRCUIT

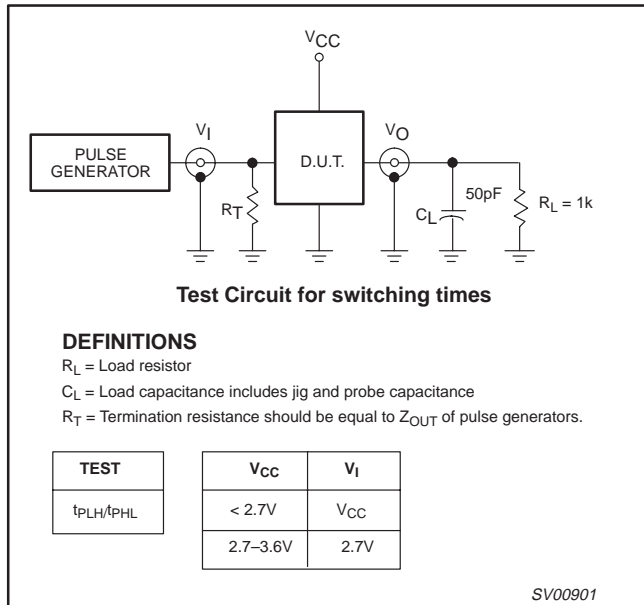


Figure 3. Load circuitry for switching times.

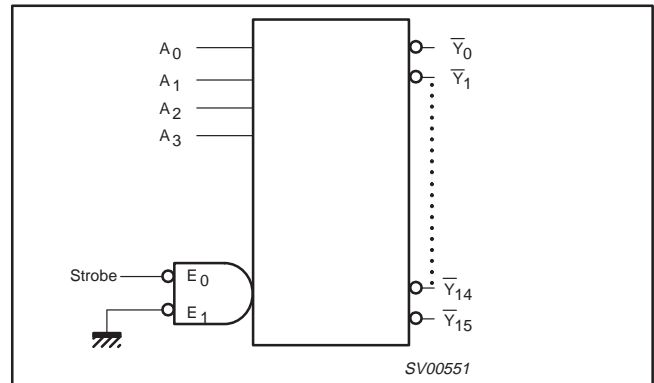


Figure 4. 1-of-16 decoder; LOW level output is selected.

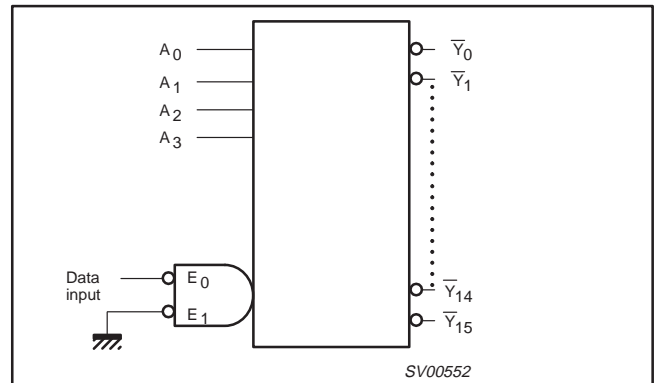


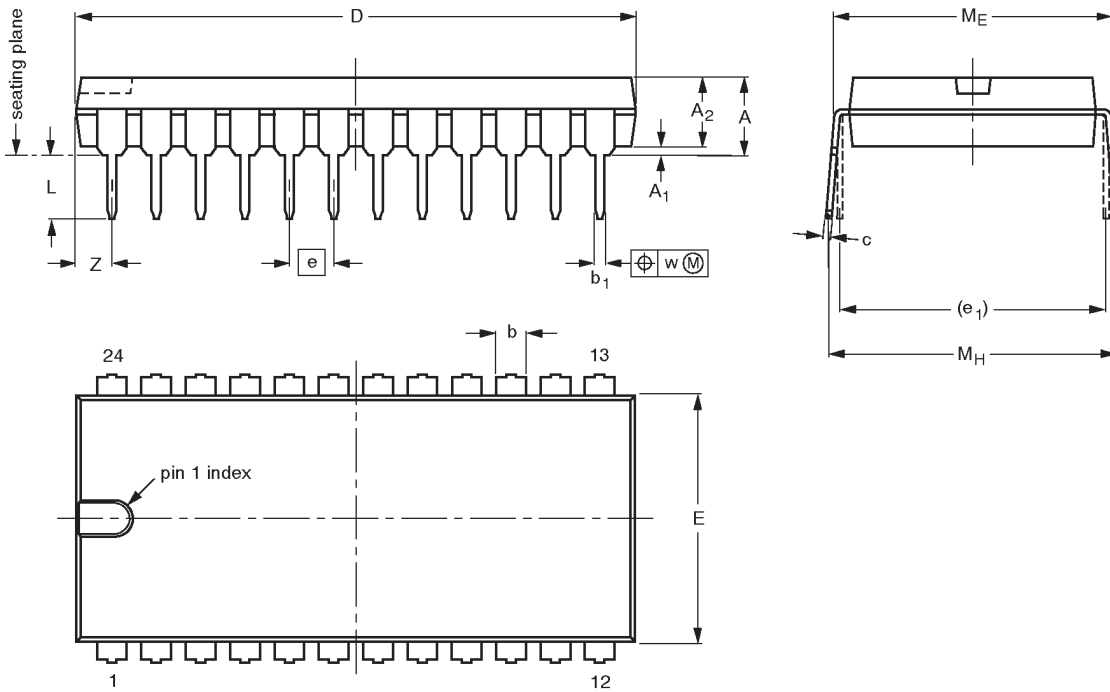
Figure 5. 1-of-16 demultiplexer; logic level on selected outputs follow the logic level on the data input.

4-to-16 line decoder/demultiplexer

74LV154

DIP24: plastic dual in-line package; 24 leads (600 mil)

SOT101-1



DIMENSIONS (inch dimensions are derived from the original mm dimensions)

| UNIT | A max. | A ₁ min. | A ₂ max. | b | b ₁ | c | D ⁽¹⁾ | E ⁽¹⁾ | e | e ₁ | L | M _E | M _H | w | Z ⁽¹⁾ max. |
|--------|--------|---------------------|---------------------|----------------|----------------|----------------|------------------|------------------|------|----------------|--------------|----------------|----------------|------|-----------------------|
| mm | 5.1 | 0.51 | 4.0 | 1.7 1.3 | 0.53 0.38 | 0.32 0.23 | 32.0 31.4 | 14.1 13.7 | 2.54 | 15.24 | 3.9 3.4 | 15.80 15.24 | 17.15 15.90 | 0.25 | 2.2 |
| inches | 0.20 | 0.020 | 0.16 | 0.066 0.051 | 0.021 0.015 | 0.013 0.009 | 1.26 1.24 | 0.56 0.54 | 0.10 | 0.60 | 0.15 0.13 | 0.62 0.60 | 0.68 0.63 | 0.01 | 0.087 |

Note

1. Plastic or metal protrusions of 0.25 mm maximum per side are not included.

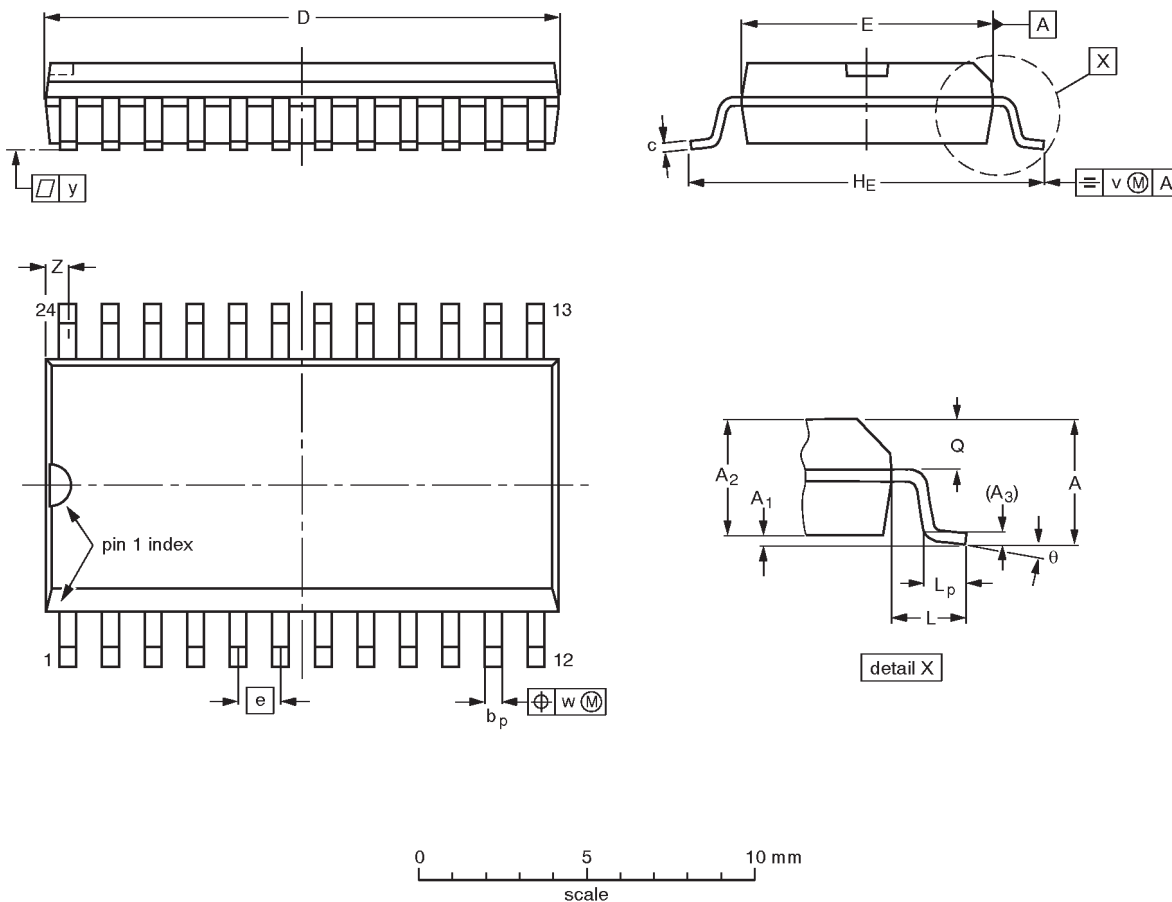
| OUTLINE VERSION | REFERENCES | | | EUROPEAN PROJECTION | ISSUE DATE |
|-----------------|------------|----------|------|---------------------|----------------------|
| | IEC | JEDEC | EIAJ | | |
| SOT101-1 | 051G02 | MO-015AD | | | 92-11-17 95-01-23 |

4-to-16 line decoder/demultiplexer

74LV154

SO24: plastic small outline package; 24 leads; body width 7.5 mm

SOT137-1



DIMENSIONS (inch dimensions are derived from the original mm dimensions)

| UNIT | A max. | A ₁ | A ₂ | A ₃ | b _p | c | D ⁽¹⁾ | E ⁽¹⁾ | e | H _E | L | L _p | Q | v | w | y | Z ⁽¹⁾ | θ |
|--------|--------|----------------|----------------|----------------|----------------|----------------|------------------|------------------|-------|----------------|-------|----------------|----------------|------|------|-------|------------------|----------|
| mm | 2.65 | 0.30 0.10 | 2.45 2.25 | 0.25 | 0.49 0.36 | 0.32 0.23 | 15.6 15.2 | 7.6 7.4 | 1.27 | 10.65 10.00 | 1.4 | 1.1 0.4 | 1.1 1.0 | 0.25 | 0.25 | 0.1 | 0.9 0.4 | 8° 0° |
| inches | 0.10 | 0.012 0.004 | 0.096 0.089 | 0.01 | 0.019 0.014 | 0.013 0.009 | 0.61 0.60 | 0.30 0.29 | 0.050 | 0.42 0.39 | 0.055 | 0.043 0.016 | 0.043 0.039 | 0.01 | 0.01 | 0.004 | 0.035 0.016 | |

Note

1. Plastic or metal protrusions of 0.15 mm maximum per side are not included.

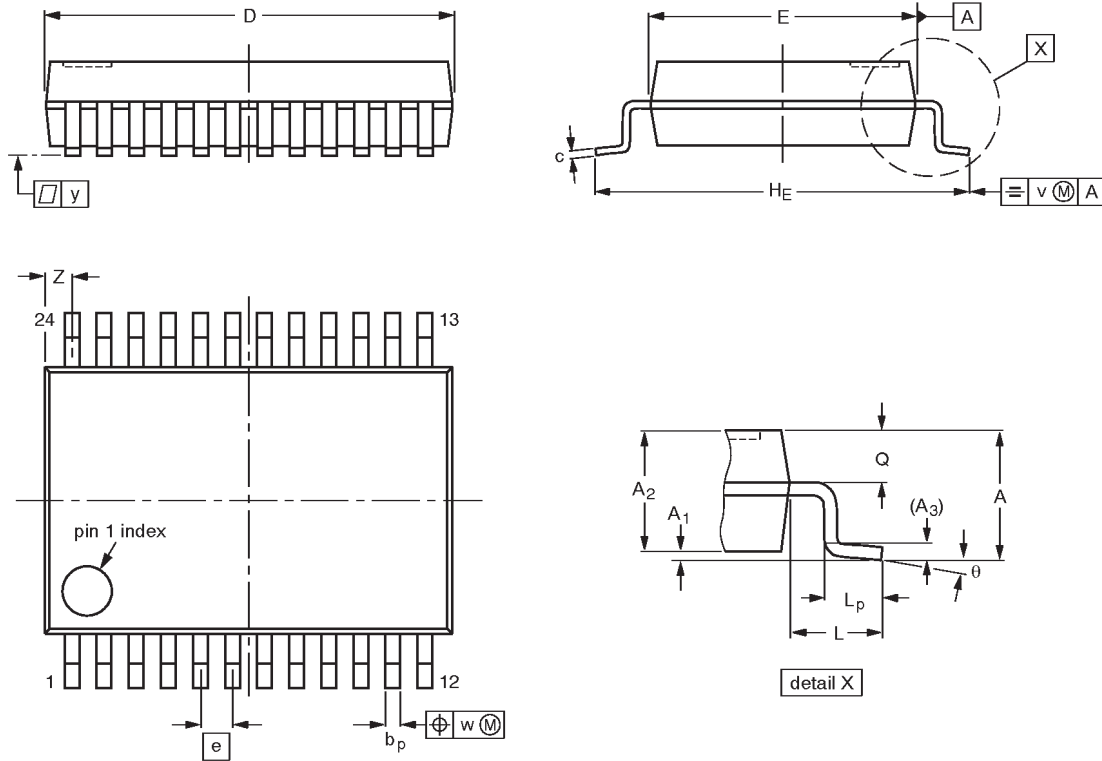
| OUTLINE VERSION | REFERENCES | | | | EUROPEAN PROJECTION | ISSUE DATE |
|-----------------|------------|----------|------|--|---------------------|-----------------------|
| | IEC | JEDEC | EIAJ | | | |
| SOT137-1 | 075E05 | MS-013AD | | | | -92-11-17 95-01-24 |

4-to-16 line decoder/demultiplexer

74LV154

SSOP24: plastic shrink small outline package; 24 leads; body width 5.3 mm

SOT340-1



DIMENSIONS (mm are the original dimensions)

| UNIT | A max. | A ₁ | A ₂ | A ₃ | b _p | c | D ⁽¹⁾ | E ⁽¹⁾ | e | H _E | L | L _p | Q | v | w | y | Z ⁽¹⁾ | θ |
|------|--------|----------------|----------------|----------------|----------------|--------------|------------------|------------------|------|----------------|------|----------------|------------|-----|------|-----|------------------|----------|
| mm | 2.0 | 0.21 0.05 | 1.80 1.65 | 0.25 | 0.38 0.25 | 0.20 0.09 | 8.4 8.0 | 5.4 5.2 | 0.65 | 7.9 7.6 | 1.25 | 1.03 0.63 | 0.9 0.7 | 0.2 | 0.13 | 0.1 | 0.8 0.4 | 8° 0° |

Note

1. Plastic or metal protrusions of 0.20 mm maximum per side are not included.

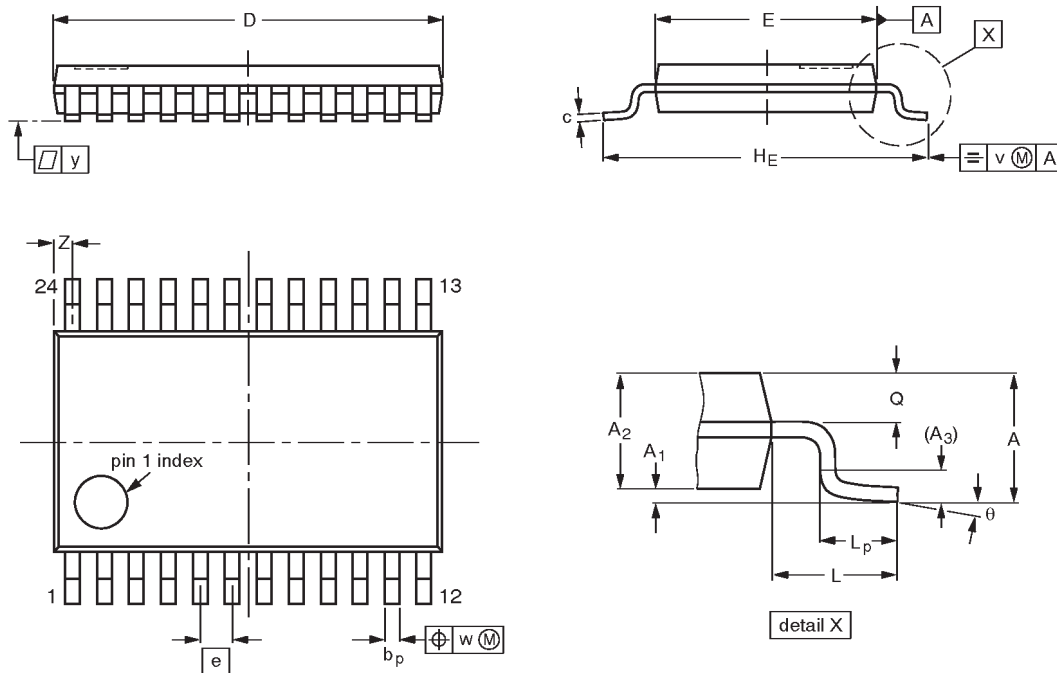
| OUTLINE VERSION | REFERENCES | | | | EUROPEAN PROJECTION | ISSUE DATE |
|-----------------|------------|----------|------|--|---------------------|----------------------|
| | IEC | JEDEC | EIAJ | | | |
| SOT340-1 | | MO-150AG | | | | 93-09-08 95-02-04 |

4-to-16 line decoder/demultiplexer

74LV154

TSSOP24: plastic thin shrink small outline package; 24 leads; body width 4.4 mm

SOT355-1



DIMENSIONS (mm are the original dimensions)

| UNIT | A max. | A ₁ | A ₂ | A ₃ | b _p | c | D ⁽¹⁾ | E ⁽²⁾ | e | H _E | L | L _p | Q | v | w | y | Z ⁽¹⁾ | θ |
|------|--------|----------------|----------------|----------------|----------------|------------|------------------|------------------|------|----------------|-----|----------------|------------|-----|------|-----|------------------|----------|
| mm | 1.10 | 0.15 0.05 | 0.95 0.80 | 0.25 | 0.30 0.19 | 0.2 0.1 | 7.9 7.7 | 4.5 4.3 | 0.65 | 6.6 6.2 | 1.0 | 0.75 0.50 | 0.4 0.3 | 0.2 | 0.13 | 0.1 | 0.5 0.2 | 8° 0° |

Notes

1. Plastic or metal protrusions of 0.15 mm maximum per side are not included.
2. Plastic interlead protrusions of 0.25 mm maximum per side are not included.

| OUTLINE VERSION | REFERENCES | | | | EUROPEAN PROJECTION | ISSUE DATE |
|-----------------|------------|----------|------|--|---------------------|-----------------------|
| | IEC | JEDEC | EIAJ | | | |
| SOT355-1 | | MO-153AD | | | | -93-06-16 95-02-04 |

4-to-16 line decoder/demultiplexer

74LV154

DEFINITIONS

| Data Sheet Identification | Product Status | Definition |
|----------------------------------|-------------------------------|--|
| <i>Objective Specification</i> | Formative or in Design | This data sheet contains the design target or goal specifications for product development. Specifications may change in any manner without notice. |
| <i>Preliminary Specification</i> | Preproduction Product | This data sheet contains preliminary data, and supplementary data will be published at a later date. Philips Semiconductors reserves the right to make changes at any time without notice in order to improve design and supply the best possible product. |
| <i>Product Specification</i> | Full Production | This data sheet contains Final Specifications. Philips Semiconductors reserves the right to make changes at any time without notice, in order to improve design and supply the best possible product. |

Philips Semiconductors and Philips Electronics North America Corporation reserve the right to make changes, without notice, in the products, including circuits, standard cells, and/or software, described or contained herein in order to improve design and/or performance. Philips Semiconductors assumes no responsibility or liability for the use of any of these products, conveys no license or title under any patent, copyright, or mask work right to these products, and makes no representations or warranties that these products are free from patent, copyright, or mask work right infringement, unless otherwise specified. Applications that are described herein for any of these products are for illustrative purposes only. Philips Semiconductors makes no representation or warranty that such applications will be suitable for the specified use without further testing or modification.

LIFE SUPPORT APPLICATIONS

Philips Semiconductors and Philips Electronics North America Corporation Products are not designed for use in life support appliances, devices, or systems where malfunction of a Philips Semiconductors and Philips Electronics North America Corporation Product can reasonably be expected to result in a personal injury. Philips Semiconductors and Philips Electronics North America Corporation customers using or selling Philips Semiconductors and Philips Electronics North America Corporation Products for use in such applications do so at their own risk and agree to fully indemnify Philips Semiconductors and Philips Electronics North America Corporation for any damages resulting from such improper use or sale.

Philips Semiconductors
811 East Arques Avenue
P.O. Box 3409
Sunnyvale, California 94088-3409
Telephone 800-234-7381

© Copyright Philips Electronics North America Corporation 1998
 All rights reserved. Printed in U.S.A.

print code

Date of release: 05-96

Document order number:

9397-750-04426

Let's make things better.

Philips
Semiconductors



PHILIPS