

DATA SHEET

74LVT32374

**3.3 V 32-bit edge-triggered D-type
flip-flop; 3-state**

Product specification
Supersedes data of 2002 Mar 20

2004 Oct 15

3.3 V 32-bit edge-triggered D-type flip-flop; 3-state

74LVT32374

FEATURES

- 32-bit edge-triggered flip-flop
- 3-state buffers
- Output capability: +64 mA/-32 mA
- TTL input and output switching levels
- Input and output interface capability to systems at 5 V supply
- Bus-hold data inputs eliminate the need for external pull-up resistors to hold unused inputs
- Live insertion/extraction permitted
- Power-up reset
- Power-up 3-state
- No bus current loading when output is tied to 5 V bus
- Latch-up protection exceeds 500 mA in accordance with JEDEC std 17
- ESD protection exceeds 2000 V in accordance with MIL STD 883 method 3015 and 200 V in accordance with machine model.

DESCRIPTION

The 74LVT32374 is a high-performance BICMOS product designed for V_{CC} operation at 3.3 V.

The 74LVT32374 is a 32-bit edge-triggered D-type flip-flop featuring non-inverting 3-state outputs. The device can be used as four 8-bit flip-flops, or two 16-bit flip-flops or one 32-bit flip-flop. On the positive transition of the clock (CP), the Q outputs of the flip-flop take on the logic levels set-up at the D inputs.

QUICK REFERENCE DATA

GND = 0 V; $T_{amb} = 25\text{ }^{\circ}\text{C}$; $t_r = t_f \leq 2.5\text{ ns}$.

SYMBOL	PARAMETER	CONDITIONS	TYPICAL	UNIT
t_{PHL}/t_{PLH}	propagation delay nCP to nQ _n	$C_L = 50\text{ pF}$; $V_{CC} = 3.3\text{ V}$	2.9	ns
C_I	input capacitance	$V_I = 0\text{ V}$ or 3.0 V	3	pF
C_O	output capacitance	outputs disabled; $V_O = 0\text{ V}$ or 3.0 V	9	pF
I_{CCZ}	total supply current	output disabled; $V_{CC} = 3.6\text{ V}$	140	μA

3.3 V 32-bit edge-triggered D-type flip-flop;
3-state

74LVT32374

FUNCTION TABLE

See note 1.

OPERATING MODE	INPUT			INTERNAL REGISTER	OUTPUT
	nOE	nCP	nD _n		nQ _n
Load and read register	L	↑	l	L	L
	L	↑	h	H	H
Hold	L	↑ +	X	NC	NC
Disable outputs	H	↑ +	X	NC	Z
	H	↑	nD _n	nD _n	Z

Note

- 1. H = HIGH voltage level;
- h = HIGH voltage level one set-up time prior to the HIGH-to-LOW OE transition;
- L = LOW voltage level;
- l = LOW voltage level one set-up time prior to the HIGH-to-LOW OE transition;
- NC = not connected;
- X = don't care;
- Z = high-impedance OFF-state;
- ↑ = LOW-to-HIGH CP transition;
- ↑
+ = not a LOW-to-HIGH CP transition.

ORDERING INFORMATION

TYPE NUMBER	TEMPERATURE RANGE	PACKAGE			
		PINS	PACKAGE	MATERIAL	CODE
74LVT32374EC	-40 °C to +85 °C	96	LFPGA96	plastic	SOT536-1

PINNING

SYMBOL	DESCRIPTION
nD _n	data input
nCP	clock input
nQ _n	flip-flop output
GND	ground (0 V)
nOE	output enable input (active LOW)
V _{CC}	supply voltage

3.3 V 32-bit edge-triggered D-type flip-flop;
3-state

74LVT32374

MNA497

6	1D ₁	1D ₃	1D ₅	1D ₇	2D ₁	2D ₃	2D ₅	2D ₇	3D ₁	3D ₃	3D ₅	3D ₇	4D ₁	4D ₃	4D ₅	4D ₆
5	1D ₀	1D ₂	1D ₄	1D ₆	2D ₀	2D ₂	2D ₄	2D ₆	3D ₀	3D ₂	3D ₄	3D ₆	4D ₀	4D ₂	4D ₄	4D ₇
4	1CP	GND	V _{CC}	GND	GND	V _{CC}	GND	2CP	3CP	GND	V _{CC}	GND	GND	V _{CC}	GND	4CP
3	1 $\overline{\text{OE}}$	GND	V _{CC}	GND	GND	V _{CC}	GND	2 $\overline{\text{OE}}$	3 $\overline{\text{OE}}$	GND	V _{CC}	GND	GND	V _{CC}	GND	4 $\overline{\text{OE}}$
2	1Q ₀	1Q ₂	1Q ₄	1Q ₆	2Q ₀	2Q ₂	2Q ₄	2Q ₆	3Q ₀	3Q ₂	3Q ₄	3Q ₆	4Q ₀	4Q ₂	4Q ₄	4Q ₇
1	1Q ₁	1Q ₃	1Q ₅	1Q ₇	2Q ₁	2Q ₃	2Q ₅	2Q ₇	3Q ₁	3Q ₃	3Q ₅	3Q ₇	4Q ₁	4Q ₃	4Q ₅	4Q ₆
	A	B	C	D	E	F	G	H	J	K	L	M	N	P	R	T

Fig.1 Pin configuration.

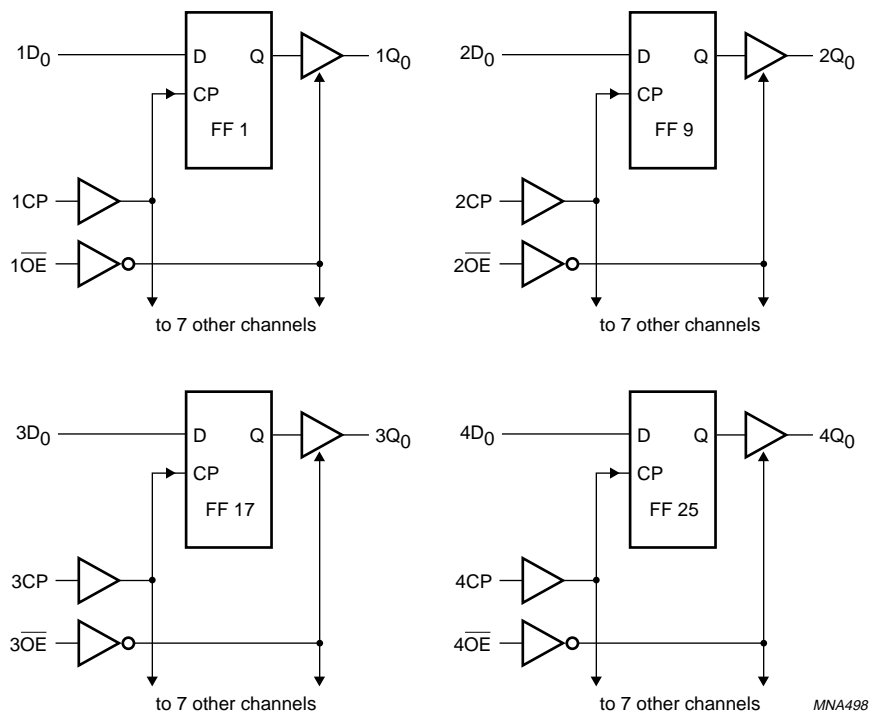
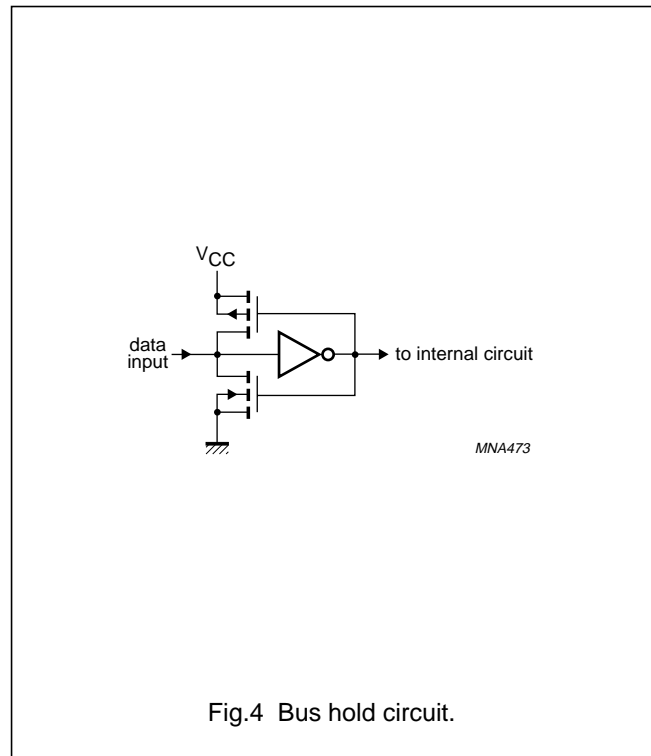
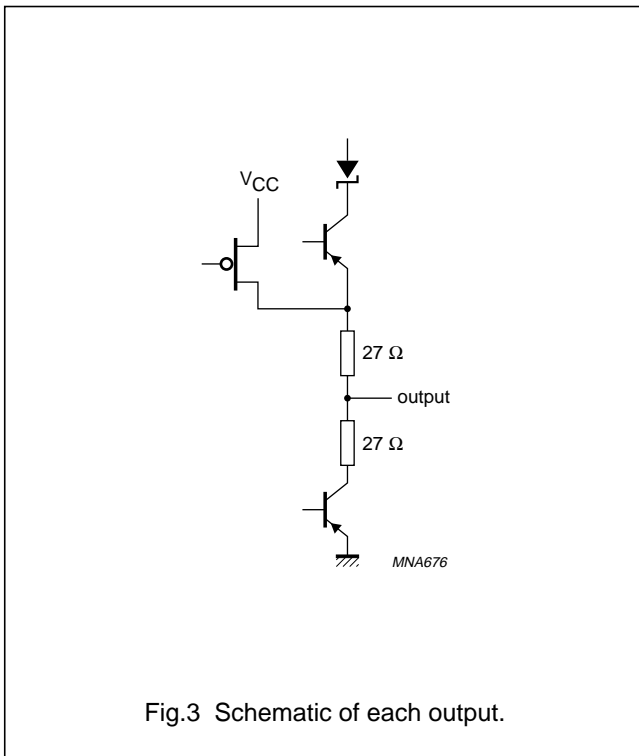


Fig.2 Logic symbol.

3.3 V 32-bit edge-triggered D-type flip-flop;
3-state

74LVT32374



RECOMMENDED OPERATING CONDITIONS

SYMBOL	PARAMETER	CONDITIONS	MIN.	MAX.	UNIT
V _{CC}	supply voltage		2.7	+3.6	V
V _I	input voltage	note 1	0	5.5	V
V _{IH}	HIGH-level input voltage		2.0	–	V
V _{IL}	LOW-level input voltage		–	0.8	V
I _{OH}	HIGH-level output current		–	–32	mA
I _{OL}	LOW-level output current		–	32	mA
		current duty cycle ≤ 50 %; f ≥ 1 kHz	–	64	mA
Δt/ΔV	input transition rise or fall times	outputs enabled	–	10	ns/V
T _{amb}	ambient temperature		–40	+85	°C
P _{tot}	power dissipation per package	note 2	–	1000	mW

Notes

1. The input and output voltage ratings may be exceeded if the input and output current ratings are observed.
2. Above 70 °C the value of P_{tot} derates linearly with 1.8 mW/K.

3.3 V 32-bit edge-triggered D-type flip-flop; 3-state

74LVT32374

LIMITING VALUES

In accordance with the Absolute Maximum Rating System (IEC 60134); note 1.

SYMBOL	PARAMETER	CONDITIONS	MIN.	TYP.	MAX.	UNIT
V_{CC}	supply voltage		-0.5	-	+4.6	V
I_{IK}	input diode current	$V_I < 0$ V	-	-50	-	mA
V_I	input voltage	note 2	-0.5	-	+7.0	V
I_{OK}	output diode current		-	-50	-	mA
V_O	output voltage	output in OFF or HIGH state; note 2	-0.5	-	+7.0	V
I_O	output current	output in LOW state	-	128	-	mA
		output in HIGH state	-	-64	-	mA
T_{stg}	storage temperature		-65	-	+150	°C

Notes

1. The performance capability of a high-performance integrated circuit in conjunction with its thermal environment can create junction temperatures which are detrimental to reliability. The maximum junction temperature of this integrated circuit should not exceed 150 °C.
2. The input and output negative voltage ratings may be exceeded if the input and output clamp current ratings are observed.

3.3 V 32-bit edge-triggered D-type flip-flop; 3-state

74LVT32374

DC CHARACTERISTICS

Over recommended operating conditions; voltages are referenced to GND (ground = 0 V).

SYMBOL	PARAMETER	TEST CONDITIONS		MIN.	TYP. ⁽¹⁾	MAX.	UNIT
		OTHER	V _{CC} (V)				
T_{amb} = -40 °C to +85 °C							
V _{IK}	input clamp voltage	I _{IK} = -18 mA	2.7	-	-0.85	-1.2	V
V _{OH}	HIGH-level output voltage	I _{OH} = -32 mA	3.0	2.0	2.3	-	V
V _{OL}	LOW-level output voltage	I _{OL} = 64 mA	3.0	-	0.4	0.55	V
V _{RST}	power-up output LOW voltage	I _O = -1 mA; V _I = GND or V _{CC} ; note 2	3.6	-	0.1	0.55	V
I _{LI}	input leakage current	V _I = V _{CC} or GND; control pins	3.6	-	0.1	±1	μA
		V _I = 5.5 V	0 or 3.6	-	0.4	10	μA
		V _I = V _{CC} ; data pins; note 3	3.6	-	0.1	1	μA
		V _I = 0 V; data pins; note 3	3.6	-	-0.4	-5	μA
I _{off}	output OFF current	V _I or V _O = 0 V to 4.5 V	0	-	0.1	±100	μA
I _{hold}	bus hold current D inputs	V _I = 0.8 V; note 4	3.0	75	135	-	μA
		V _I = 2.0 V; note 4	3.0	-75	-135	-	μA
		V _{CC} = 3.6 V; note 4	0 to 3.6	±500	-	-	μA
I _{EX}	current into an output in the HIGH state when V _O > V _{CC}	V _O = 5.5 V	3.0	-	50	125	μA
I _{pu/pd}	power-up/down 3-state output current	V _O = 5.5 V to V _{CC} ; V _I = GND or V _{CC} ; V _{OE} = don't care; note 5	≤ 1.2 V	-	1	±100	μA
I _{OZH}	3-state output HIGH current	V _O = 3.0 V; V _I = V _{IH} or V _{IL}	3.6	-	0.5	5	μA
I _{OZL}	3-state output LOW current	V _O = 0.5 V; V _I = V _{IH} or V _{IL}	3.6	-	+0.5	-5	μA
I _{CCH}	quiescent supply current	outputs HIGH; I _O = 0 A; V _I = GND or V _{CC}	3.6	-	0.14	0.24	mA
I _{CCL}	quiescent supply current	outputs LOW; I _O = 0 A; V _I = GND or V _{CC}	3.6	-	8	12	mA
I _{CCZ}	quiescent supply current	outputs disabled; I _O = 0 A; V _I = GND or V _{CC} ; note 6	3.6	-	0.14	0.24	mA
ΔI _{CC}	additional supply current per input pin	one input at V _{CC} - 0.6 V; other inputs at GND or V _{CC} ; note 7	3.0 to 3.6	-	0.1	0.2	μA

Notes

- All typical values are measured at V_{CC} = 3.3 V and T_{amb} = 25 °C.
- For valid test results, data must not be loaded into the flip-flops (or latches) after applying power.
- Unused pins at V_{CC} or GND.
- This is the bus hold overdrive current required to force the input to the opposite logic state.
- This parameter is valid for any V_{CC} between 0 V and 1.2 V with a transition time of up to 10 ms. From V_{CC} = 1.2 V to V_{CC} = 3.3 V ± 0.3 V a transition time of 100 μs is permitted. This parameter is valid for T_{amb} = 25 °C only.
- I_{CCZ} is measured with outputs pulled to V_{CC} or GND.
- This is the increase in supply current for each input at the specified voltage level other than V_{CC} or GND.

3.3 V 32-bit edge-triggered D-type flip-flop; 3-state

74LVT32374

AC CHARACTERISTICSGND = 0 V; $t_r = t_f \leq 2.5$ ns; $C_L = 50$ pF; $R_L = 500 \Omega$.

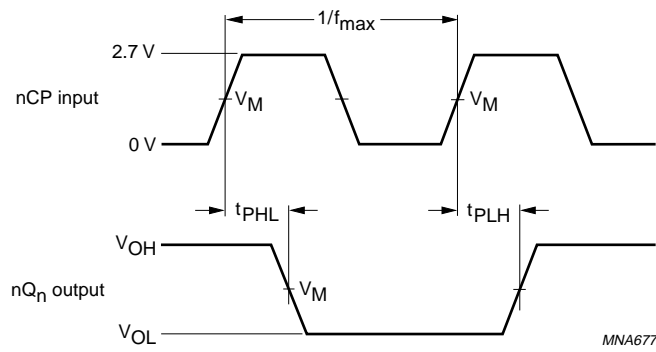
SYMBOL	PARAMETER	CONDITIONS		MIN.	TYP. ⁽¹⁾	MAX.	UNIT
		WAVEFORMS	V _{CC} (V)				
T_{amb} = -40 °C to +85 °C							
t _{PLH}	propagation delay nCP to nQ _n	see Fig.5	2.7	–	–	6.2	ns
			3.0 to 3.6	1.5	3.0	5.3	ns
t _{PHL}	propagation delay nCP to nQ _n	see Fig.5	2.7	–	–	5.1	ns
			3.0 to 3.6	1.5	3.0	4.9	ns
t _{PZH}	output enable time to HIGH level	see Figs 7 and 8	2.7	–	–	6.9	ns
			3.0 to 3.6	1.5	3.5	5.6	ns
t _{PZL}	output enable time to LOW level	see Figs 7 and 8	2.7	–	–	6.0	ns
			3.0 to 3.6	1.5	3.2	4.9	ns
t _{PHZ}	output disable time from HIGH level	see Figs 7 and 8	2.7	–	–	5.7	ns
			3.0 to 3.6	1.5	3.5	5.4	ns
t _{PLZ}	output disable time from LOW level	see Figs 7 and 8	2.7	1.5	3.2	5.1	ns
			3.0 to 3.6	1.5	3.2	5.0	ns
t _{suH}	set-up time nD _n HIGH to nCP	see Fig.6	2.7	2.0	–	–	ns
			3.0 to 3.6	2.0	0.7	–	ns
t _{suL}	set-up time nD _n LOW to nCP	see Fig.6	2.7	2.0	–	–	ns
			3.0 to 3.6	2.0	0.7	–	ns
t _{hH}	hold time nD _n HIGH to nCP	see Fig.6	2.7	0.1	–	–	ns
			3.0 to 3.6	0.8	0	–	ns
t _{hL}	hold time nD _n LOW to nCP	see Fig.6	2.7	0.1	–	–	ns
			3.0 to 3.6	0.8	0	–	ns
t _{WH}	nCP HIGH pulse width	see Fig.6	2.7	1.5	–	–	ns
			3.0 to 3.6	1.5	0.6	–	ns
t _{WL}	nCP LOW pulse width	see Fig.6	2.7	3.0	–	–	ns
			3.0 to 3.6	3.0	1.6	–	ns
f _{max}	maximum clock pulse frequency	see Fig.5	3.0 to 3.6	150	–	–	MHz

Note1. All typical values are measured at V_{CC} = 3.3 V and T_{amb} = 25 °C.

3.3 V 32-bit edge-triggered D-type flip-flop;
3-state

74LVT32374

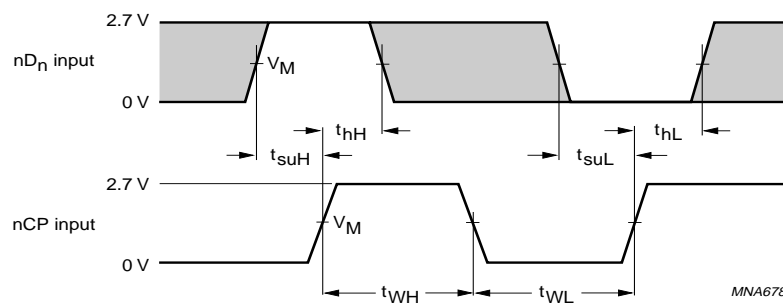
AC WAVEFORMS



MNA677

V_M = 1.5 V;
V_M = GND to 3.0 V.

Fig.5 Clock (nCP) to output (nQ_n) propagation delays, the clock pulse width and the maximum clock pulse frequency.



MNA678

The shaded areas indicate when the input is permitted to change for predicable output performance.

Fig.6 Set-up and hold times for inputs (nD_n) to inputs (nCP).

3.3 V 32-bit edge-triggered D-type flip-flop;
3-state

74LVT32374

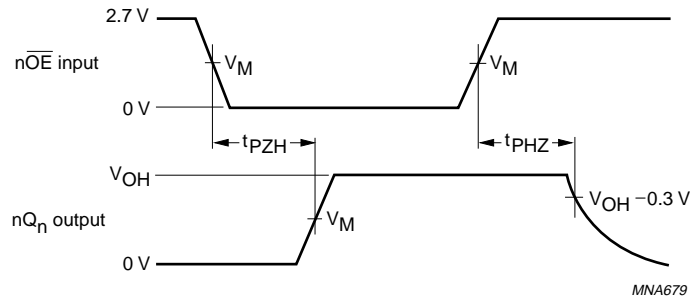


Fig.7 3-state output enable time to HIGH level and output disable time from HIGH level.

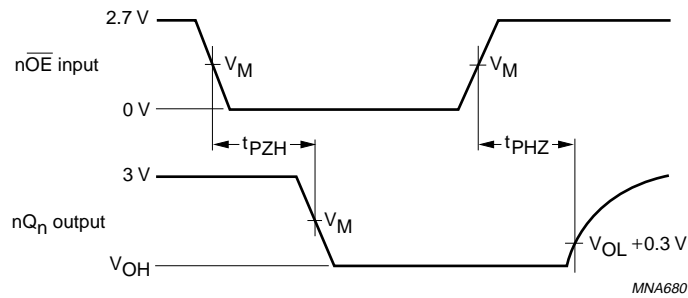
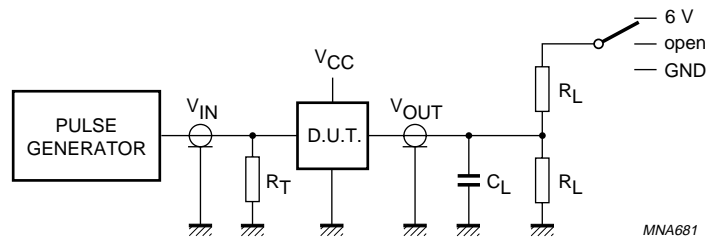


Fig.8 3-state output enable time to LOW level and output disable time from LOW level.

3.3 V 32-bit edge-triggered D-type flip-flop;
3-state

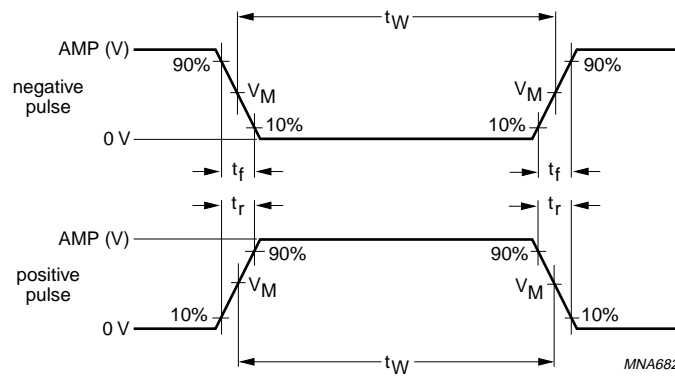
74LVT32374



TEST	SWITCH
t_{PLH}/t_{PHL}	open
t_{PLZ}/t_{PZL}	6 V
t_{PHZ}/t_{PZH}	GND

Definitions for test circuit:
 R_L = Load resistor.
 C_L = Load capacitance including jig and probe capacitance.
 R_T = Termination resistance should be equal to the output impedance Z_o of the pulse generator.

Fig.9 Load circuitry for switching times.



INPUT PULSE REQUIREMENTS				
AMPLITUDE	PULSE RATE	t_W	t_r	t_f
2.7 V	≤ 10 MHz	500 ns	≤ 2.5 ns	≤ 2.5 ns

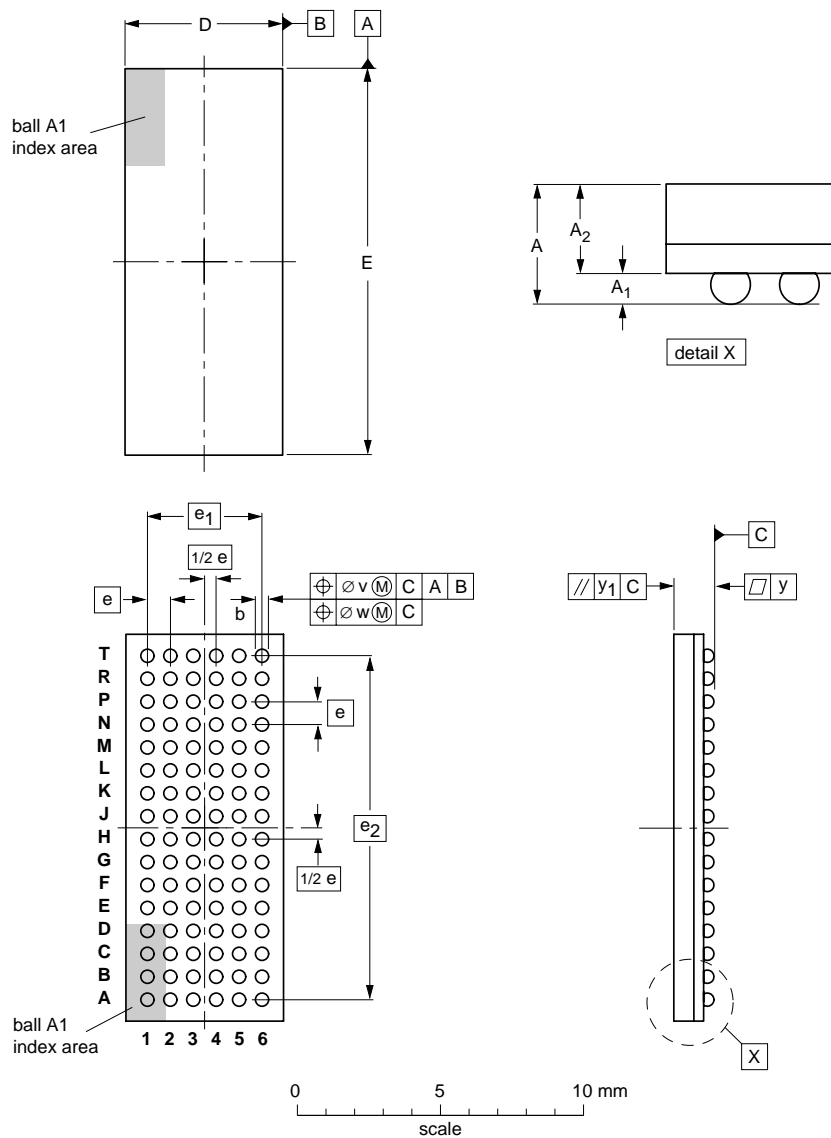
Fig.10 Input pulse definition.

3.3 V 32-bit edge-triggered D-type flip-flop;
3-state

74LVT32374

PACKAGE OUTLINE

LFBGA96: plastic low profile fine-pitch ball grid array package; 96 balls; body 13.5 x 5.5 x 1.05 mm SOT536-1



DIMENSIONS (mm are the original dimensions)

UNIT	A max.	A ₁	A ₂	b	D	E	e	e ₁	e ₂	v	w	y	y ₁
mm	1.5	0.41 0.31	1.2 0.9	0.51 0.41	5.6 5.4	13.6 13.4	0.8	4	12	0.15	0.1	0.1	0.2

OUTLINE VERSION	REFERENCES				EUROPEAN PROJECTION	ISSUE DATE
	IEC	JEDEC	JEITA			
SOT536-1						00-03-04 03-02-05

3.3 V 32-bit edge-triggered D-type flip-flop; 3-state

74LVT32374

DATA SHEET STATUS

LEVEL	DATA SHEET STATUS ⁽¹⁾	PRODUCT STATUS ⁽²⁾⁽³⁾	DEFINITION
I	Objective data	Development	This data sheet contains data from the objective specification for product development. Philips Semiconductors reserves the right to change the specification in any manner without notice.
II	Preliminary data	Qualification	This data sheet contains data from the preliminary specification. Supplementary data will be published at a later date. Philips Semiconductors reserves the right to change the specification without notice, in order to improve the design and supply the best possible product.
III	Product data	Production	This data sheet contains data from the product specification. Philips Semiconductors reserves the right to make changes at any time in order to improve the design, manufacturing and supply. Relevant changes will be communicated via a Customer Product/Process Change Notification (CPCN).

Notes

1. Please consult the most recently issued data sheet before initiating or completing a design.
2. The product status of the device(s) described in this data sheet may have changed since this data sheet was published. The latest information is available on the Internet at URL <http://www.semiconductors.philips.com>.
3. For data sheets describing multiple type numbers, the highest-level product status determines the data sheet status.

DEFINITIONS

Short-form specification — The data in a short-form specification is extracted from a full data sheet with the same type number and title. For detailed information see the relevant data sheet or data handbook.

Limiting values definition — Limiting values given are in accordance with the Absolute Maximum Rating System (IEC 60134). Stress above one or more of the limiting values may cause permanent damage to the device. These are stress ratings only and operation of the device at these or at any other conditions above those given in the Characteristics sections of the specification is not implied. Exposure to limiting values for extended periods may affect device reliability.

Application information — Applications that are described herein for any of these products are for illustrative purposes only. Philips Semiconductors make no representation or warranty that such applications will be suitable for the specified use without further testing or modification.

DISCLAIMERS

Life support applications — These products are not designed for use in life support appliances, devices, or systems where malfunction of these products can reasonably be expected to result in personal injury. Philips Semiconductors customers using or selling these products for use in such applications do so at their own risk and agree to fully indemnify Philips Semiconductors for any damages resulting from such application.

Right to make changes — Philips Semiconductors reserves the right to make changes in the products - including circuits, standard cells, and/or software - described or contained herein in order to improve design and/or performance. When the product is in full production (status 'Production'), relevant changes will be communicated via a Customer Product/Process Change Notification (CPCN). Philips Semiconductors assumes no responsibility or liability for the use of any of these products, conveys no licence or title under any patent, copyright, or mask work right to these products, and makes no representations or warranties that these products are free from patent, copyright, or mask work right infringement, unless otherwise specified.

Philips Semiconductors – a worldwide company

Contact information

For additional information please visit <http://www.semiconductors.philips.com>. Fax: +31 40 27 24825

For sales offices addresses send e-mail to: sales.addresses@www.semiconductors.philips.com.

© Koninklijke Philips Electronics N.V. 2004

SCA76

All rights are reserved. Reproduction in whole or in part is prohibited without the prior written consent of the copyright owner.

The information presented in this document does not form part of any quotation or contract, is believed to be accurate and reliable and may be changed without notice. No liability will be accepted by the publisher for any consequence of its use. Publication thereof does not convey nor imply any license under patent- or other industrial or intellectual property rights.

Printed in The Netherlands

R07/02/pp14

Date of release: 2004 Oct 15

Document order number: 9397 750 14095

Let's make things better.

**Philips
Semiconductors**



PHILIPS