

# 74LVT16646A

3.3 V 16-bit bus transceiver; 3-state

Rev. 03 — 12 January 2005

Product data sheet

## 1. General description

---

The 74LVT16646A is a high-performance BiCMOS product designed for  $V_{CC}$  operation at 3.3 V. This device is a 16-bit transceiver featuring non-inverting 3-state bus compatible outputs in both send and receive directions. The control function implementation minimizes external timing requirements. The device features an output enable ( $\overline{OE}$ ) input for easy cascading and a direction (DIR) input for direction control.

Data on bus A or bus B is clocked into the registers on the LOW-to-HIGH transition of the appropriate clock (CPAB or CPBA). The select control (SAB and SBA) inputs can multiplex stored and real-time (transparent mode data).

## 2. Features

---

- 16-bit universal bus interface
- 3-state buffers
- Output capability: from +64 mA to -32 mA
- TTL input and output switching levels
- Input and output interface capability to systems at 5 V supply
- Bus-hold data inputs eliminate the need for external pull-up resistors to hold unused inputs
- Live insertion and extraction permitted
- No bus-current loading when output is tied to 5 V bus
- Power-up reset
- Power-up 3-state
- Latch-up protection exceeds 500 mA per JESD78
- ESD protection:
  - ◆ MIL STD 883 Method 3 015: exceeds 2000 V
  - ◆ Machine model: exceeds 200 V

**PHILIPS**

### 3. Quick reference data

**Table 1: Quick reference data**

$T_{amb} = 25\text{ }^{\circ}\text{C}$ .

Symbol	Parameter	Conditions	Min	Typ	Max	Unit
$t_{PLH}$ , $t_{PHL}$	propagation delay nAx to nBx or nBx to nAx	$C_L = 50\text{ pF}$ ; $V_{CC} = 3.3\text{ V}$	-	1.9	-	ns
$C_I$	input capacitance	$V_I = 0\text{ V}$ or $3.0\text{ V}$	-	3	-	pF
$C_{I/O}$	I/O pin capacitance	$V_{I/O} = 0\text{ V}$ or $3.0\text{ V}$ ; outputs disabled	-	9	-	pF
$I_{CC}$	quiescent supply current	$V_{CC} = 3.6\text{ V}$ ; outputs disabled	-	70	-	$\mu\text{A}$

### 4. Ordering information

**Table 2: Ordering information**

Type number	Package			
	Temperature range	Name	Description	Version
74LVT16646ADGG	-40 °C to +85 °C	TSSOP56	plastic thin shrink small outline package; 56 leads; body width 6.1 mm	SOT364-1
74LVT16646ADL	-40 °C to +85 °C	SSOP56	plastic shrink small outline package; 56 leads; body width 7.5 mm	SOT371-1

5. Functional diagram

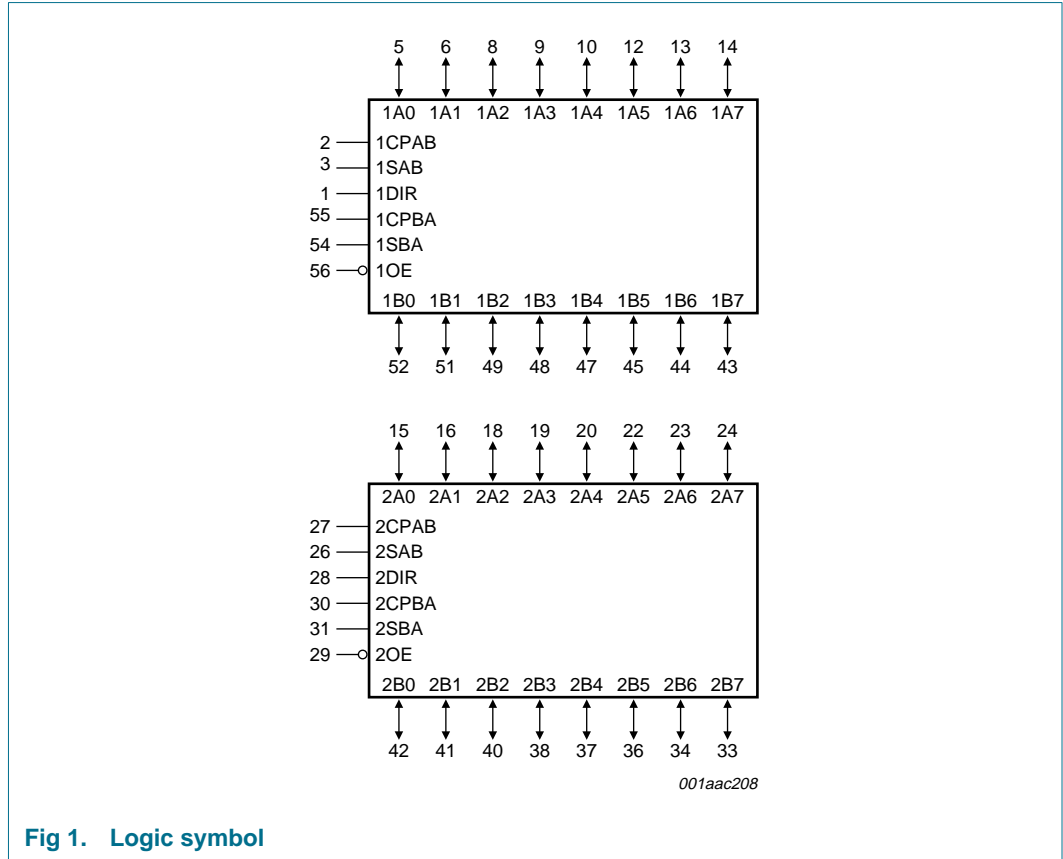


Fig 1. Logic symbol

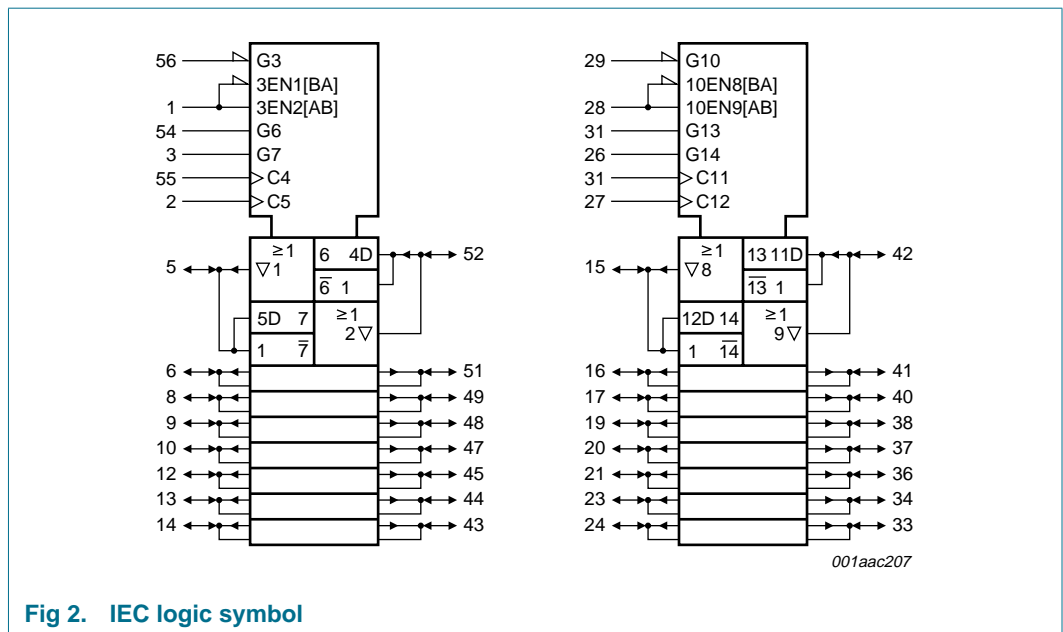


Fig 2. IEC logic symbol

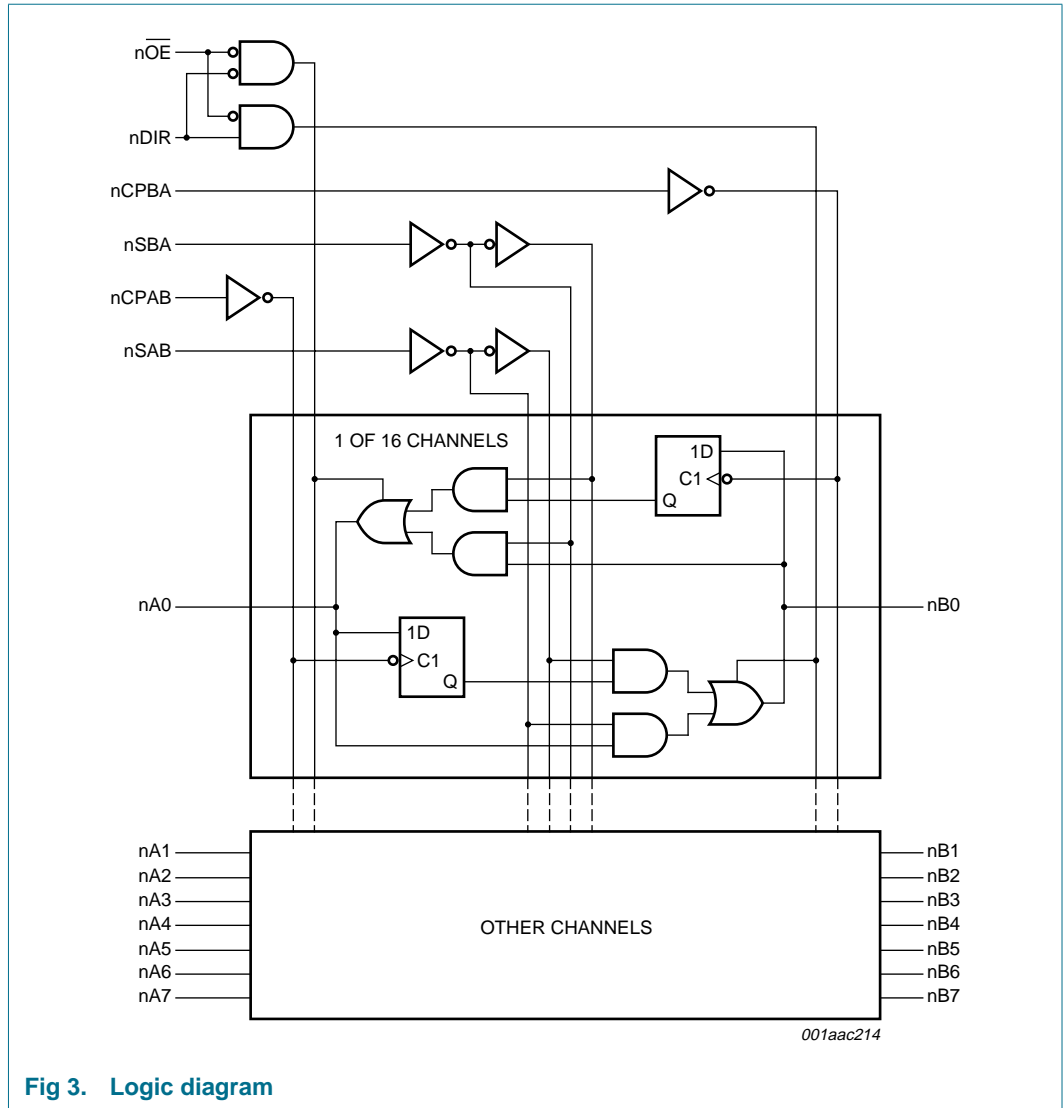
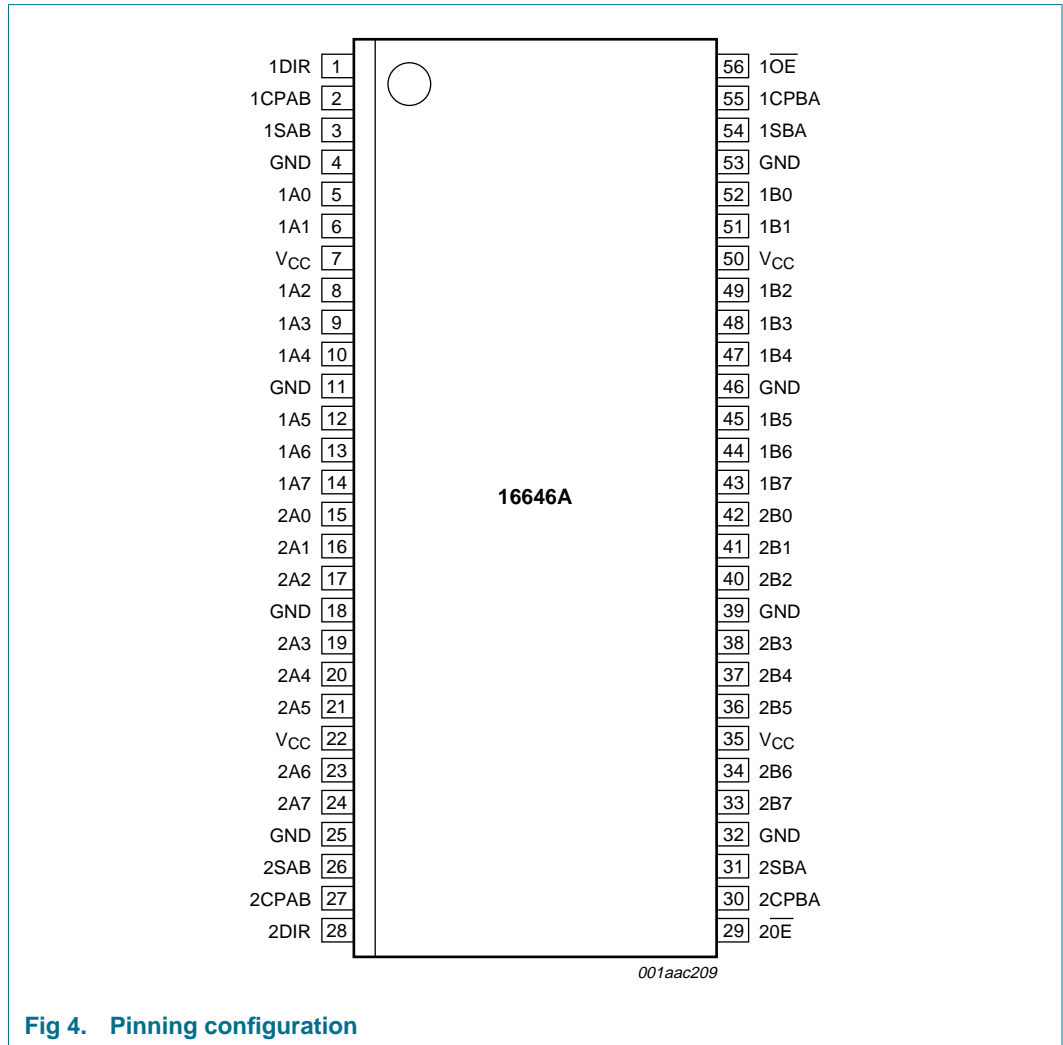


Fig 3. Logic diagram

## 6. Pinning information

### 6.1 Pinning



### 6.2 Pin description

**Table 3: Pin description**

Symbol	Pin	Description
1DIR	1	direction control inputs 0 to 7
1CPAB	2	clock inputs 0 to 7; A to B side
1SAB	3	select inputs 0 to 7; A to B side
GND	4	ground (0V)
1A0	5	data input or output 0; A side
1A1	6	data input or output 1; A side
V <sub>CC</sub>	7	positive supply voltage
1A2	8	data input or output 2; A side

Table 3: Pin description ...continued

Symbol	Pin	Description
1A3	9	data input or output 3; A side
1A4	10	data input or output 4; A side
GND	11	ground (0V)
1A5	12	data input or output 5; A side
1A6	13	data input or output 6; A side
1A7	14	data input or output 7; A side
2A0	15	data input or output 8; A side
2A1	16	data input or output 9; A side
2A2	17	data input or output 10; A side
GND	18	ground (0V)
2A3	19	data input or output 11; A side
2A4	20	data input or output 12; A side
2A5	21	data input or output 13; A side
V <sub>CC</sub>	22	positive supply voltage
2A6	23	data input or output 14; A side
2A7	24	data input or output 15; A side
GND	25	ground (0V)
2SAB	26	select inputs 8 to 15; A to B side
2CPAB	27	clock inputs 8 to 15; A to B side
2DIR	28	direction control inputs 8 to 15
2 $\overline{OE}$	29	output enable inputs 8 to 15
2CPBA	30	clock inputs 8 to 15; B to A side
2SBA	31	select inputs 8 to 15; B to A side
GND	32	ground (0V)
2B7	33	data input or output 15; B side
2B6	34	data input or output 14; B side
V <sub>CC</sub>	35	positive supply voltage
2B5	36	data input or output 13; B side
2B4	37	data input or output 12; B side
2B3	38	data input or output 11; B side
GND	39	ground (0V)
2B2	40	data input or output 10; B side
2B1	41	data input or output 9; B side
2B0	42	data input or output 8; B side
1B7	43	data input or output 7; B side
1B6	44	data input or output 6; B side
1B5	45	data input or output 5; B side
GND	46	ground (0V)
1B4	47	data input or output 4; B side
1B3	48	data input or output 3; B side
1B2	49	data input or output 2; B side

Table 3: Pin description ...continued

Symbol	Pin	Description
V <sub>CC</sub>	50	positive supply voltage
1B1	51	data input or output 1; B side
1B0	52	data input or output 0; B side
GND	53	ground (0V)
1SBA	54	select inputs 0 to 7; B to A side
1CPBA	55	clock inputs 0 to 7; B to A side
1 $\overline{\text{OE}}$	56	output enable inputs 0 to 7

## 7. Functional description

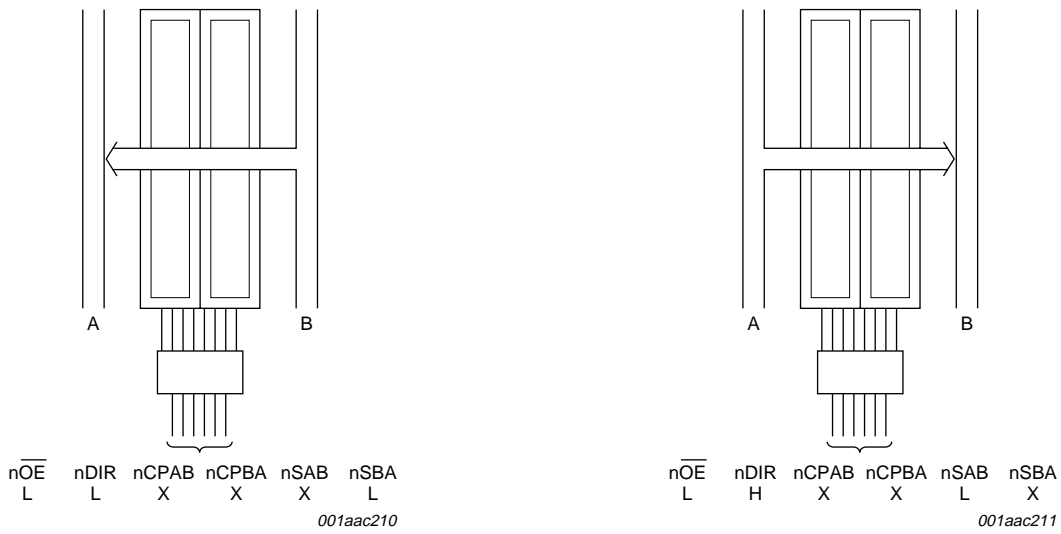
### 7.1 Function table

Table 4: Function table [1]

Operating mode	Inputs						Data I/O		reference
	n $\overline{\text{OE}}$	nDIR	nCPAB	nCPBA	nSAB	nSBA	nAx	nBx	
Store A (B unspecified)	X	X	↑	X	X	X	input	unspecified output [2]	<a href="#">Figure 5c</a>
Store B (A unspecified)	X	X	X	↑	X	X	unspecified output [2]	input	<a href="#">Figure 5c</a>
Store A and B data	H	X	↑	↑	X	X	input	input	<a href="#">Figure 5c</a>
Isolation, hold storage	H	X	H or L	H or L	X	X	input	input	-
Real time B data to A bus	L	L	X	X	X	L	output	input	<a href="#">Figure 5a</a>
Stored B data to A bus	L	L	X	H or L	X	H	output	input	<a href="#">Figure 5d</a>
Real time A data to B bus	L	H	X	X	L	X	input	output	<a href="#">Figure 5b</a>
Stored A data to B bus	L	H	H or L	X	H	X	input	output	<a href="#">Figure 5d</a>

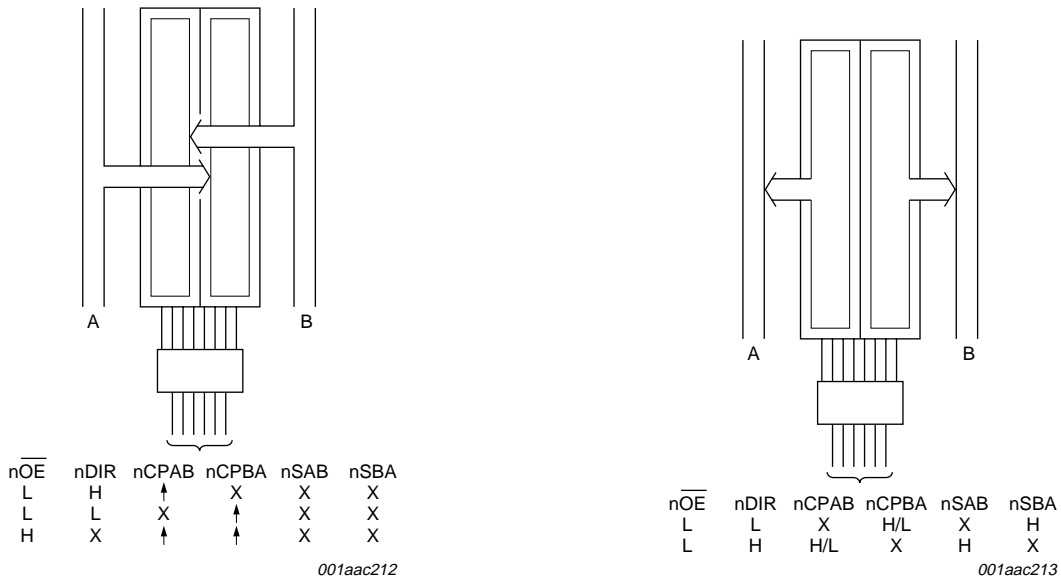
- [1] H = HIGH voltage level;  
 L = LOW voltage level;  
 X = don't care;  
 ↑ = LOW-to-HIGH clock transition.

- [2] The data output function may be enabled or disabled by various signals at the n $\overline{\text{OE}}$  input. Data input functions are always enabled, i.e. data at the bus pins will be stored on every LOW-to-HIGH transition of the clock.



a. Real time bus transfer bus B to bus A

b. Real time bus transfer bus A to bus B



c. Storage from bus A, bus B or bus A and bus B

d. Transfer stored data to bus A or bus B

**Fig 5. Examples of bus-management functions**



## 8. Limiting values

**Table 5: Limiting values**

Symbol	Parameter	Conditions	Min	Max	Unit
$V_{CC}$	supply voltage		-0.5	+4.6	V
$V_I$	input voltage		[1] -0.5	+7.0	V
$V_O$	output voltage	output in off-state or HIGH state	[1] -0.5	+7.0	V
$I_{IK}$	input diode current	$V_I < 0$ V	-50	-	mA
$I_{OK}$	output diode current	$V_O < 0$ V	-50	-	mA
$I_O$	output source current	output in LOW state	-	128	mA
		output in HIGH state	-64	-	mA
$T_{stg}$	storage temperature		-65	+150	°C
$T_j$	junction temperature		[2] -	150	°C

[1] The input and output negative voltage ratings may be exceeded if the input and output clamp current ratings are observed.

[2] The performance capability of a high-performance integrated circuit in conjunction with its thermal environment can create junction temperatures which are detrimental to reliability.

## 9. Recommended operating conditions

**Table 6: Recommended operating conditions**

Symbol	Parameter	Conditions	Min	Typ	Max	Unit
$V_{CC}$	supply voltage		2.7	-	3.6	V
$V_I$	input voltage		0	-	5.5	V
$V_{IH}$	HIGH-level input voltage		2.0	-	-	V
$V_{IL}$	LOW-level input voltage		-	-	0.8	V
$I_{OH}$	HIGH-level output current		-	-	-32	mA
$I_{OL}$	LOW-level output current	none	-	-	32	mA
		duty cycle $\leq 50$ %; $f \geq 1$ kHz	-	-	64	mA
$\Delta t/\Delta V$	input transition rise or fall rate	outputs enabled	-	-	10	ns/V
$T_{amb}$	ambient temperature		-40	-	+85	°C

## 10. Static characteristics

**Table 7: Static characteristics**

At recommended operating conditions; voltages are referenced to GND (ground = 0 V).

Symbol	Parameter	Conditions	Min	Typ	Max	Unit	
<b>T<sub>amb</sub> = -40 °C to +85 °C [1]</b>							
V <sub>IK</sub>	input clamp voltage	V <sub>CC</sub> = 2.7 V; I <sub>IK</sub> = -18 mA	-	-0.85	-1.2	V	
V <sub>OH</sub>	HIGH-level output voltage	V <sub>CC</sub> = 2.7 V to 3.6 V; I <sub>OH</sub> = 100 μA	V <sub>CC</sub> - 0.2	V <sub>CC</sub>	-	V	
		V <sub>CC</sub> = 2.7 V; I <sub>OH</sub> = -8 mA	2.4	2.5	-	V	
		V <sub>CC</sub> = 3.0 V; I <sub>OH</sub> = -32 mA	2.0	2.3	-	V	
V <sub>OL</sub>	LOW-level output voltage	V <sub>CC</sub> = 2.7 V					
		I <sub>OL</sub> = 100 μA	-	0.07	0.2	V	
		I <sub>OL</sub> = 24 mA	-	0.03	0.5	V	
		V <sub>CC</sub> = 3.0 V					
		I <sub>OL</sub> = 16 mA	-	0.25	0.4	V	
		I <sub>OL</sub> = 32 mA	-	0.3	0.5	V	
V <sub>RST</sub>	power-up LOW output voltage	V <sub>CC</sub> = 3.6 V; I <sub>O</sub> = 1 mA; V <sub>I</sub> = GND or V <sub>CC</sub>	[2] -	-	0.55	V	
		input leakage current of control pins	V <sub>CC</sub> = 3.6 V; V <sub>I</sub> = V <sub>CC</sub> or GND	-	0.1	±1	μA
			V <sub>CC</sub> = 0 V or 3.6 V; V <sub>I</sub> = 5.5 V	-	0.1	10	μA
I <sub>LI</sub>	input leakage current of I/O data pins	V <sub>CC</sub> = 3.6 V; V <sub>I</sub> = 5.5 V	[3] -	0.1	20	μA	
		V <sub>CC</sub> = 3.6 V; V <sub>I</sub> = V <sub>CC</sub>	[3] -	0.5	10	μA	
		V <sub>CC</sub> = 3.6 V; V <sub>I</sub> = 0 V	[3] -	+0.1	-5	μA	
I <sub>OFF</sub>	output off current	V <sub>CC</sub> = 0 V; V <sub>I</sub> or V <sub>O</sub> = 0 V to 4.5 V	-	0.1	±100	μA	
I <sub>HOLD</sub>	bus hold current A or B outputs	V <sub>CC</sub> = 3 V; V <sub>I</sub> = 0.8 V	[4] 75	130	-	μA	
		V <sub>CC</sub> = 3 V; V <sub>I</sub> = 2.0 V	[4] -75	-140	-	μA	
		V <sub>CC</sub> = 0 V to 3.6 V; V <sub>I</sub> = 3.6 V	[4] ±500	-	-	μA	
I <sub>EX</sub>	current into an output in HIGH state when V <sub>O</sub> > V <sub>CC</sub>	V <sub>O</sub> = 5.5 V; V <sub>CC</sub> = 3.0 V	-	50	125	μA	
I <sub>PU</sub> , I <sub>PD</sub>	power-up and power-down 3-state output current	V <sub>CC</sub> ≤ 1.2 V; V <sub>O</sub> = 0.5 V to V <sub>CC</sub> ; V <sub>I</sub> = GND or V <sub>CC</sub> ; pin nDIR and nOE are don't care	[5] -	35	±100	μA	
I <sub>CC</sub>	quiescent supply current	V <sub>CC</sub> = 3.6 V; I <sub>O</sub> = 0 A; V <sub>I</sub> = GND or V <sub>CC</sub>					
		outputs HIGH	-	0.07	0.12	mA	
		outputs LOW	-	4.9	6	mA	
	outputs disabled	[6] -	-	0.07	0.12	mA	

**Table 7: Static characteristics ...continued**

At recommended operating conditions; voltages are referenced to GND (ground = 0 V).

Symbol	Parameter	Conditions	Min	Typ	Max	Unit
$\Delta I_{CC}$	additional supply current per input pin	$V_{CC} = 3\text{ V to }3.6\text{ V}$ ; one input at $V_{CC} - 0.6\text{ V}$ , other inputs at $V_{CC}$ or GND	[7] -	0.1	0.2	mA
$C_I$	input capacitance	$V_I = 0\text{ V or }3.0\text{ V}$	-	3	-	pF
$C_{I/O}$	I/O pin capacitance	$V_{I/O} = 0\text{ V or }3.0\text{ V}$ ; outputs disabled	-	9	-	pF

- [1] All typical values are measured at  $V_{CC} = 3.3\text{ V}$  and  $T_{amb} = 25\text{ }^\circ\text{C}$ .
- [2] For valid test results, data must not be loaded into the flip-flops (or latches) after applying power.
- [3] Unused pins at  $V_{CC}$  or GND.
- [4] This is the bus hold overdrive current required to force the input to the opposite logic state.
- [5] This parameter is valid for  $V_{CC} = 0\text{ V to }1.2\text{ V}$  with a transition time of up to 10 ms. From  $V_{CC} = 1.2\text{ V to }3.3\text{ V} \pm 0.3\text{ V}$ . A transition time of 100  $\mu\text{s}$  is permitted. This parameter is valid for  $T_{amb} = 25\text{ }^\circ\text{C}$  only.
- [6]  $I_{CC}$  is measured with outputs pulled to  $V_{CC}$  or GND.
- [7] This is the increase in supply current for each input at the specified voltage level other than  $V_{CC}$  or GND.

## 11. Dynamic characteristics

**Table 8: Dynamic characteristics**

$GND = 0\text{ V}$ ;  $t_r = t_f = 2.5\text{ ns}$ ;  $C_L = 50\text{ pF}$ ;  $R_L = 500\text{ }\Omega$ ; for input definitions see [Figure 13](#); for test circuit see [Figure 14](#).

Symbol	Parameter	Conditions	Min	Typ	Max	Unit
<b><math>T_{amb} = -40\text{ }^\circ\text{C to }+85\text{ }^\circ\text{C}</math> [1]</b>						
$f_{max}$	maximum clock frequency	$V_{CC} = 3.3\text{ V} \pm 0.3\text{ V}$ ; see <a href="#">Figure 6</a>	150	-	-	MHz
$t_{PLH}$	propagation delay nAx to nBx or nBx to nAx	see <a href="#">Figure 8</a>				
		$V_{CC} = 3.3\text{ V} \pm 0.3\text{ V}$	0.5	1.9	3.7	ns
		$V_{CC} = 2.7\text{ V}$	-	-	4.3	ns
propagation delay nCPAB to nBx or nCPBA to nAx	see <a href="#">Figure 6</a>					
	$V_{CC} = 3.3\text{ V} \pm 0.3\text{ V}$	1.5	2.7	4.5	ns	
	$V_{CC} = 2.7\text{ V}$	-	-	5.3	ns	
propagation delay nSAB to nBx or nSBA to nAx	see <a href="#">Figure 7</a>					
	$V_{CC} = 3.3\text{ V} \pm 0.3\text{ V}$	1.0	2.5	4.6	ns	
	$V_{CC} = 2.7\text{ V}$	-	-	5.4	ns	
$t_{PHL}$	propagation delay nAx to nBx or nBx to nAx	see <a href="#">Figure 8</a>				
		$V_{CC} = 3.3\text{ V} \pm 0.3\text{ V}$	0.5	1.9	3.7	ns
		$V_{CC} = 2.7\text{ V}$	-	-	4.4	ns
propagation delay nCPAB to nBx or nCPBA to nAx	see <a href="#">Figure 6</a>					
	$V_{CC} = 3.3\text{ V} \pm 0.3\text{ V}$	1.5	2.4	4.5	ns	
	$V_{CC} = 2.7\text{ V}$	-	-	5.2	ns	
propagation delay nSAB to nBx or nSBA to nAx	see <a href="#">Figure 7</a>					
	$V_{CC} = 3.3\text{ V} \pm 0.3\text{ V}$	1.0	2.8	4.8	ns	
		$V_{CC} = 2.7\text{ V}$	-	-	5.6	ns

**Table 8: Dynamic characteristics ...continued**

$GND = 0\text{ V}$ ;  $t_r = t_f = 2.5\text{ ns}$ ;  $C_L = 50\text{ pF}$ ;  $R_L = 500\ \Omega$ ; for input definitions see [Figure 13](#); for test circuit see [Figure 14](#).

Symbol	Parameter	Conditions	Min	Typ	Max	Unit
$t_{PZH}$	output enable time $n\overline{OE}$ to $nAx$ or $nBx$	see <a href="#">Figure 11</a>				
		$V_{CC} = 3.3\text{ V} \pm 0.3\text{ V}$	1.0	2.7	4.7	ns
		$V_{CC} = 2.7\text{ V}$	-	-	5.4	ns
	output enable time $nDIR$ to $nAx$ or $nBx$	see <a href="#">Figure 11</a>				
$V_{CC} = 3.3\text{ V} \pm 0.3\text{ V}$		1.0	2.9	4.8	ns	
$V_{CC} = 2.7\text{ V}$		-	-	5.4	ns	
$t_{PZL}$		output enable time $n\overline{OE}$ to $nAx$ or $nBx$	see <a href="#">Figure 12</a>			
	$V_{CC} = 3.3\text{ V} \pm 0.3\text{ V}$		1.0	2.5	4.9	ns
		$V_{CC} = 2.7\text{ V}$	-	-	5.7	ns
	output enable time $nDIR$ to $nAx$ or $nBx$	see <a href="#">Figure 12</a>				
$V_{CC} = 3.3\text{ V} \pm 0.3\text{ V}$		1.0	2.8	4.9	ns	
$V_{CC} = 2.7\text{ V}$		-	-	5.6	ns	
$t_{PHZ}$		output disable time $n\overline{OE}$ to $nAx$ or $nBx$	see <a href="#">Figure 11</a>			
	$V_{CC} = 3.3\text{ V} \pm 0.3\text{ V}$		1.5	3.2	5.2	ns
		$V_{CC} = 2.7\text{ V}$	-	-	5.5	ns
	output disable time $nDIR$ to $nAx$ or $nBx$	see <a href="#">Figure 11</a>				
$V_{CC} = 3.3\text{ V} \pm 0.3\text{ V}$		1.0	3.1	5.7	ns	
$V_{CC} = 2.7\text{ V}$		-	-	6.6	ns	
$t_{PLZ}$		output disable time $n\overline{OE}$ to $nAx$ or $nBx$	see <a href="#">Figure 12</a>			
	$V_{CC} = 3.3\text{ V} \pm 0.3\text{ V}$		1.5	2.9	4.6	ns
		$V_{CC} = 2.7\text{ V}$	-	-	4.7	ns
	output disable time $nDIR$ to $nAx$ or $nBx$	see <a href="#">Figure 12</a>				
$V_{CC} = 3.3\text{ V} \pm 0.3\text{ V}$		1.0	2.9	5.2	ns	
$V_{CC} = 2.7\text{ V}$		-	-	5.7	ns	

[1] All typical values are measured at  $V_{CC} = 3.3\text{ V}$  and  $T_{amb} = 25\text{ }^\circ\text{C}$ .

**Table 9: Dynamic characteristics setup requirements**

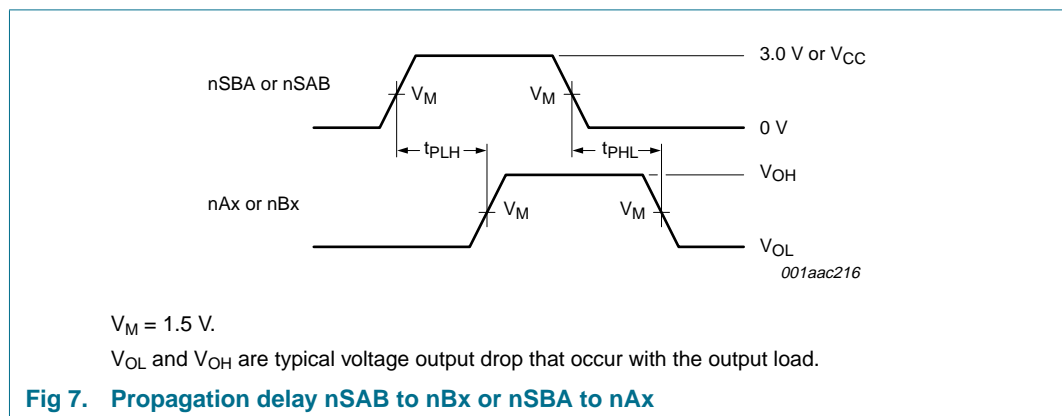
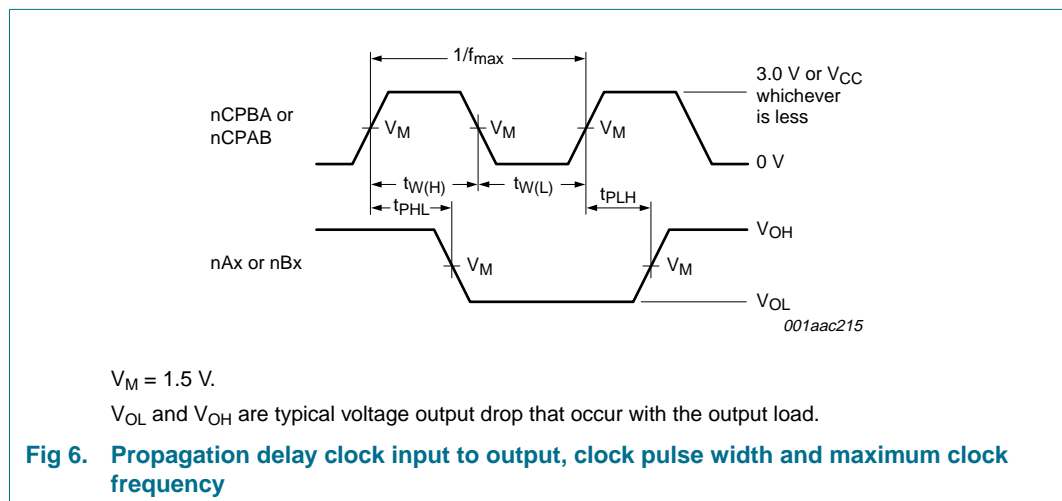
$GND = 0\text{ V}$ ;  $t_r = t_f = 2.5\text{ ns}$ ;  $C_L = 50\text{ pF}$ ;  $R_L = 500\ \Omega$ .

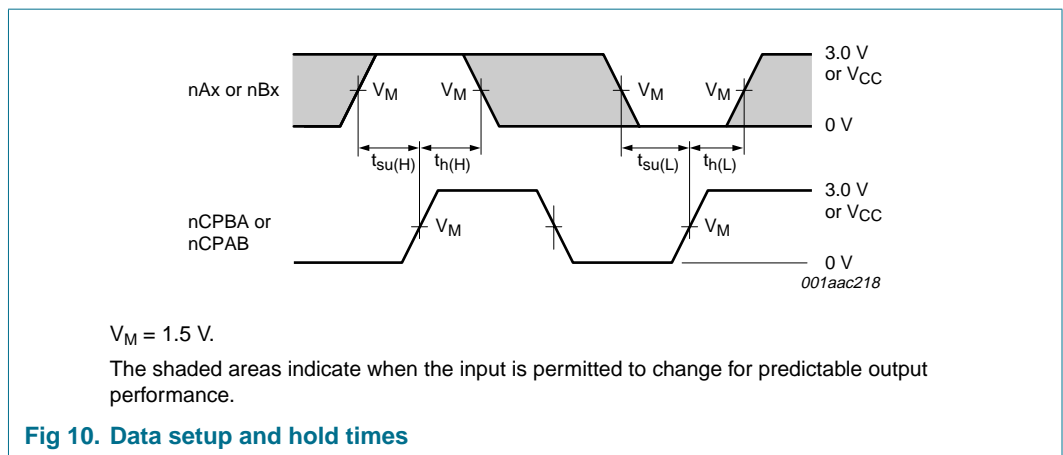
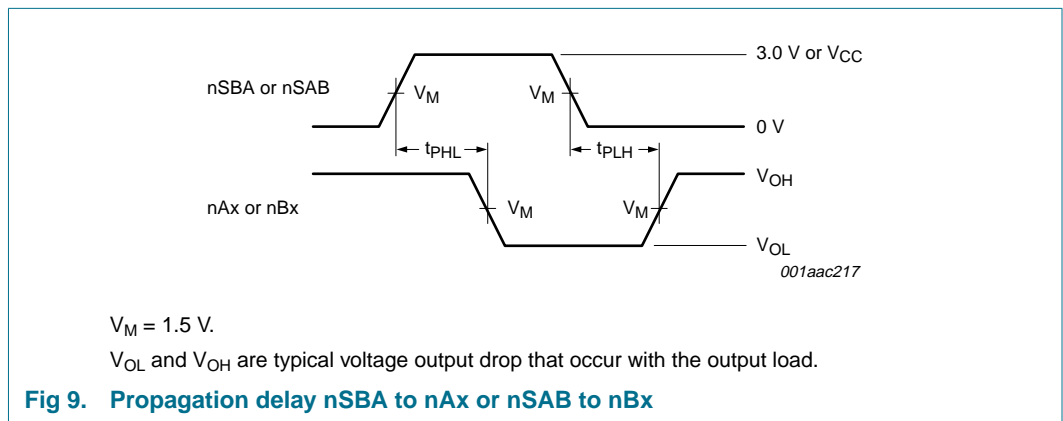
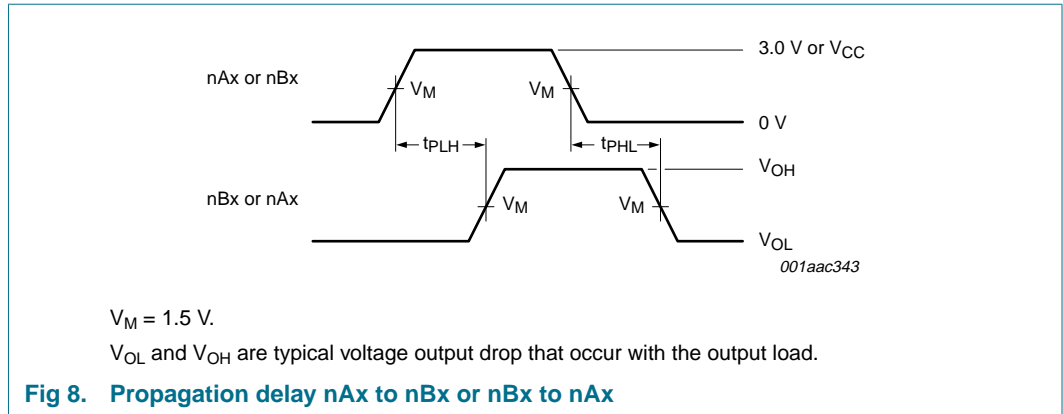
Symbol	Parameter	Conditions	Min	Typ	Max	Unit
<b><math>T_{amb} = -40\text{ }^\circ\text{C}</math> to <math>+85\text{ }^\circ\text{C}</math></b>						
$t_{su(H)}$	set-up time HIGH $nAx$ to $nCPAB$ or $nBx$ to $nCPBA$	see <a href="#">Figure 10</a>				
		$V_{CC} = 3.3\text{ V} \pm 0.3\text{ V}$	1.0	0.6	-	ns
		$V_{CC} = 2.7\text{ V}$	1.1	-	-	ns
$t_{su(L)}$	set-up time LOW $nAx$ to $nCPAB$ or $nBx$ to $nCPBA$	see <a href="#">Figure 10</a>				
		$V_{CC} = 3.3\text{ V} \pm 0.3\text{ V}$	1.9	0.4	-	ns
		$V_{CC} = 2.7\text{ V}$	2.4	-	-	ns
$t_{h(H)}$	hold time HIGH $nAx$ to $nCPAB$ or $nBx$ to $nCPBA$	see <a href="#">Figure 10</a>				
		$V_{CC} = 3.3\text{ V} \pm 0.3\text{ V}$	1.0	0.4	-	ns
		$V_{CC} = 2.7\text{ V}$	1.0	-	-	ns

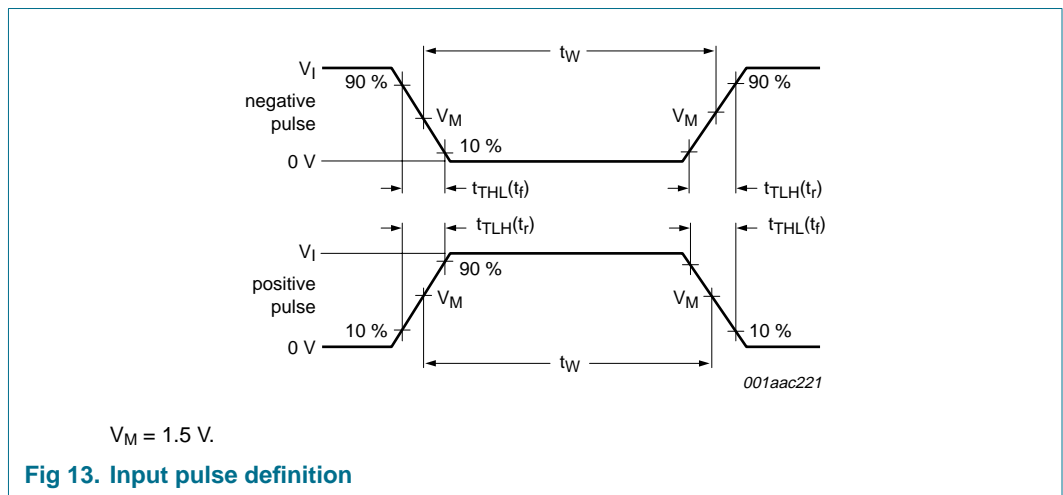
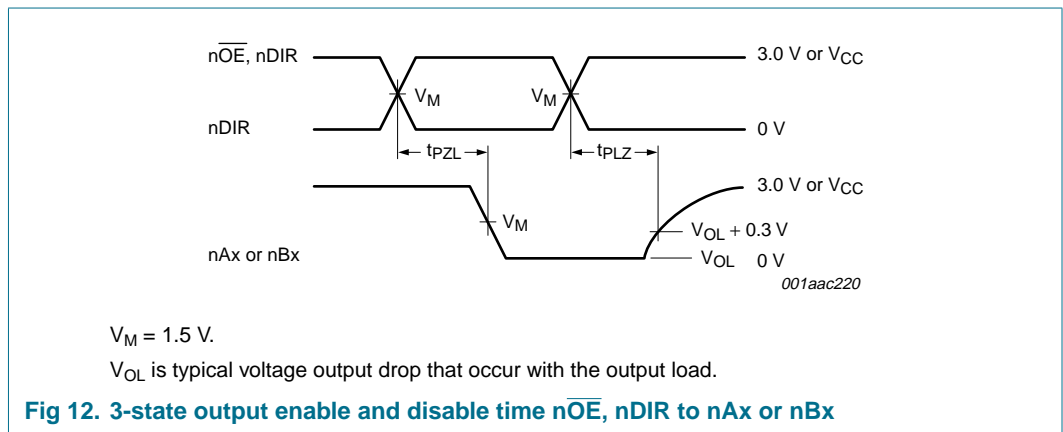
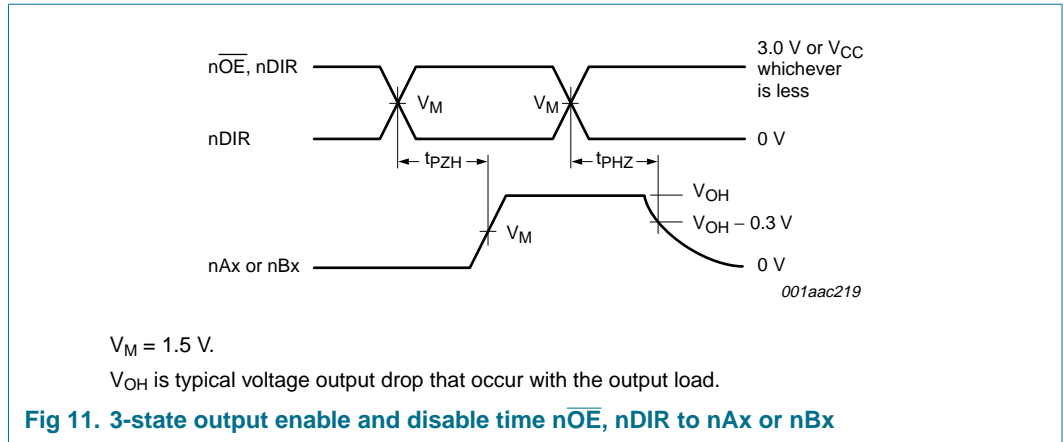
**Table 9: Dynamic characteristics setup requirements ...continued**  
*GND = 0 V;  $t_r = t_f = 2.5$  ns;  $C_L = 50$  pF;  $R_L = 500$   $\Omega$ .*

Symbol	Parameter	Conditions	Min	Typ	Max	Unit
$t_{h(L)}$	hold time LOW nAx to nCPAB or nBx to nCPBA	see <a href="#">Figure 10</a>				
		$V_{CC} = 3.3 \text{ V} \pm 0.3 \text{ V}$	1.0	0.5	-	ns
		$V_{CC} = 2.7 \text{ V}$	1.0	-	-	ns
$t_{W(H)}$	pulse width HIGH nCPAB or nCPBA	see <a href="#">Figure 6</a>				
		$V_{CC} = 3.3 \text{ V} \pm 0.3 \text{ V}$	2.6	2.2	-	ns
		$V_{CC} = 2.7 \text{ V}$	2.6	-	-	ns
$t_{W(L)}$	pulse width HIGH nCPAB or nCPBA	see <a href="#">Figure 6</a>				
		$V_{CC} = 3.3 \text{ V} \pm 0.3 \text{ V}$	2.8	2.4	-	ns
		$V_{CC} = 2.7 \text{ V}$	2.8	-	-	ns

## 12. Waveforms







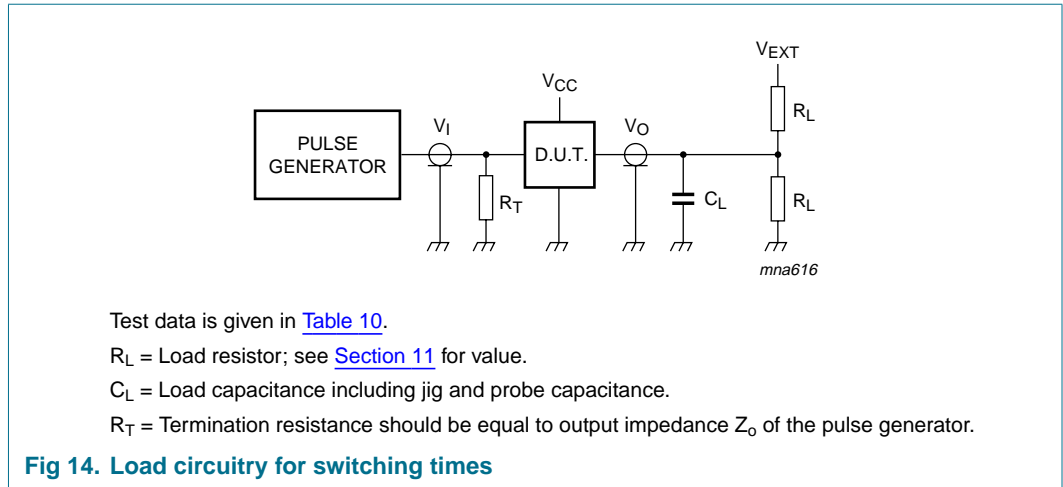


Table 10: Test data

$V_I$	Repetition rate	$t_w$	$t_r$	$t_f$	$C_L$	$R_L$	$V_{EXT}$		
							$t_{PHZ}, t_{PZH}$	$t_{PLZ}, t_{PZL}$	$t_{PLH}, t_{PHL}$
2.7 V	$\leq 10$ MHz	500 ns	$\leq 2.5$ ns	$\leq 2.5$ ns	50 pF	500 $\Omega$	GND	6 V	open



13. Package outline

SSOP56: plastic shrink small outline package; 56 leads; body width 7.5 mm

SOT371-1

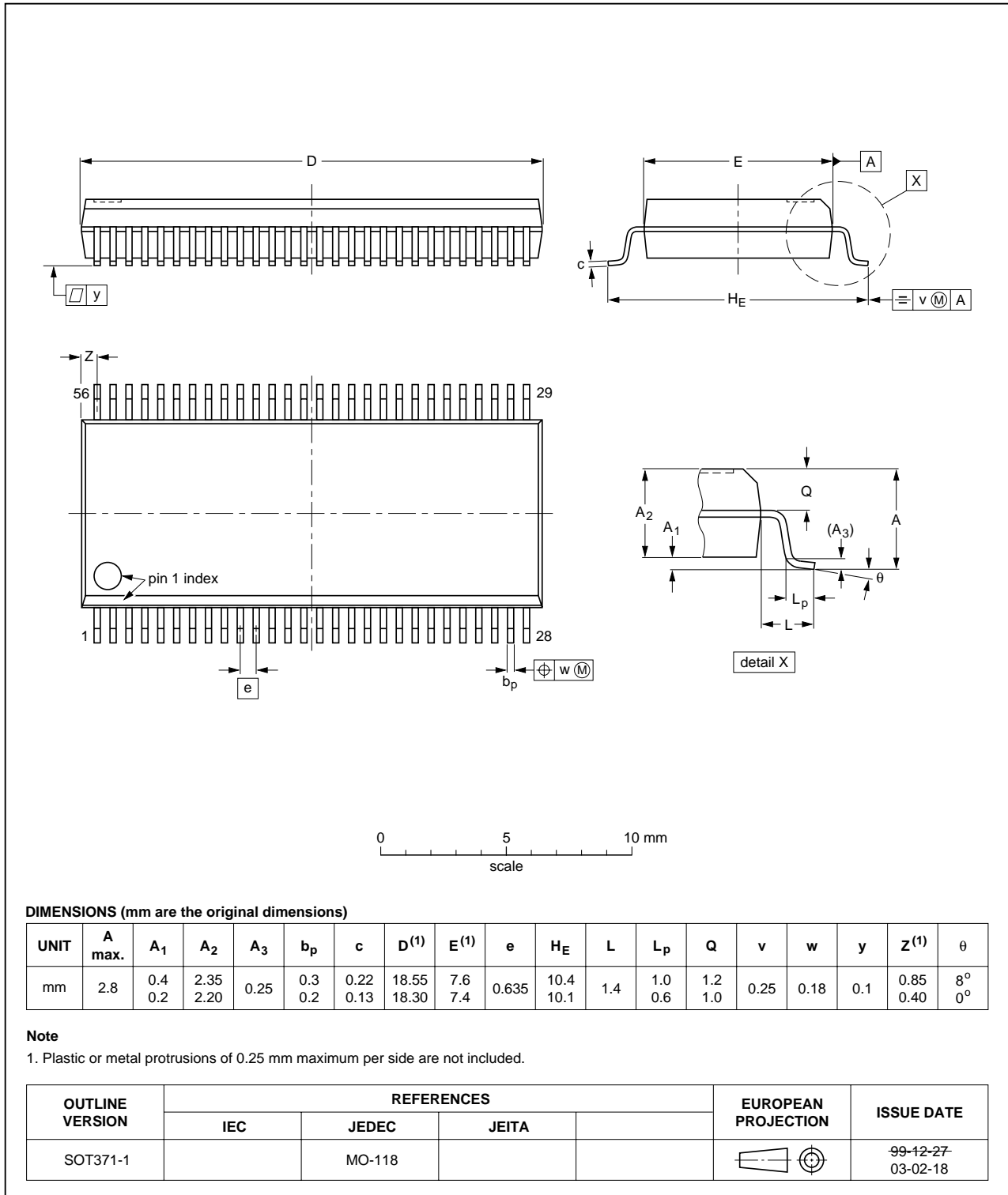


Fig 15. Package outline SOT371-1 (SSOP56)

TSSOP56: plastic thin shrink small outline package; 56 leads; body width 6.1 mm

SOT364-1

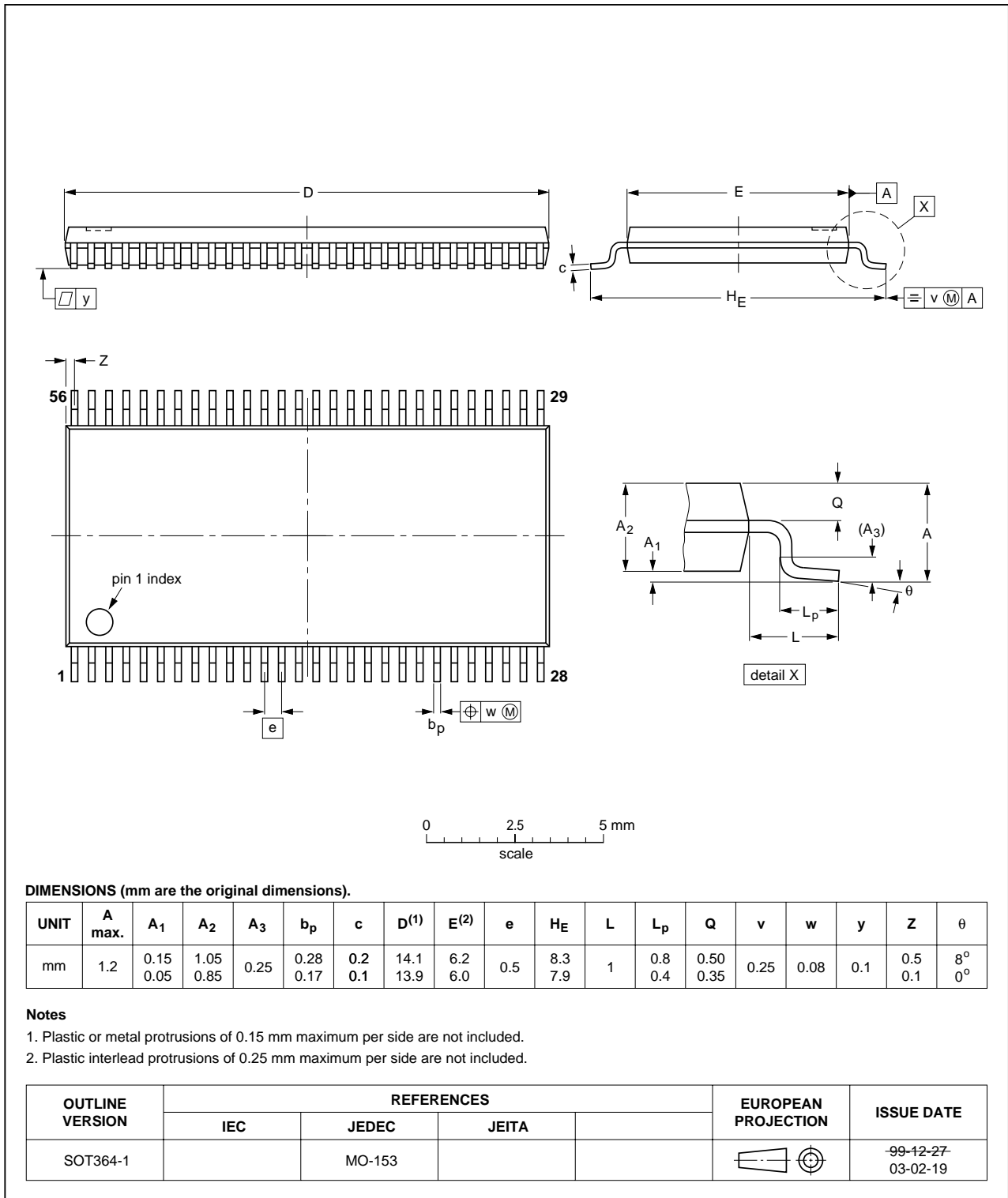


Fig 16. Package outline SOT364-1 (TSSOP56)

## 14. Revision history

**Table 11: Revision history**

Document ID	Release date	Data sheet status	Change notice	Doc. number	Supersedes
74LVT16646A_3	20050112	Product data sheet	-	9397 750 14326	74LVT16646A_2
Modifications:					
			<ul style="list-style-type: none"><li>• The format of this data sheet is redesigned to comply with the current presentation and information standard of Philips Semiconductors.</li><li>• Data sheet title changed from “3.3 V ABT 16-bit bus transceiver (3-state)” to “3.3 V 16-bit bus transceiver; 3-state”</li><li>• <a href="#">Table 8</a>: updated parameter descriptions and values.</li></ul>		
74LVT16646A_2	19980219	Product specification	-	9397 750 03559	74LVT16646A_1
74LVT16646A_1	19940725	-	-	-	-

## 15. Data sheet status

Level	Data sheet status <sup>[1]</sup>	Product status <sup>[2] [3]</sup>	Definition
I	Objective data	Development	This data sheet contains data from the objective specification for product development. Philips Semiconductors reserves the right to change the specification in any manner without notice.
II	Preliminary data	Qualification	This data sheet contains data from the preliminary specification. Supplementary data will be published at a later date. Philips Semiconductors reserves the right to change the specification without notice, in order to improve the design and supply the best possible product.
III	Product data	Production	This data sheet contains data from the product specification. Philips Semiconductors reserves the right to make changes at any time in order to improve the design, manufacturing and supply. Relevant changes will be communicated via a Customer Product/Process Change Notification (CPCN).

[1] Please consult the most recently issued data sheet before initiating or completing a design.

[2] The product status of the device(s) described in this data sheet may have changed since this data sheet was published. The latest information is available on the Internet at URL <http://www.semiconductors.philips.com>.

[3] For data sheets describing multiple type numbers, the highest-level product status determines the data sheet status.

## 16. Definitions

**Short-form specification** — The data in a short-form specification is extracted from a full data sheet with the same type number and title. For detailed information see the relevant data sheet or data handbook.

**Limiting values definition** — Limiting values given are in accordance with the Absolute Maximum Rating System (IEC 60134). Stress above one or more of the limiting values may cause permanent damage to the device. These are stress ratings only and operation of the device at these or at any other conditions above those given in the Characteristics sections of the specification is not implied. Exposure to limiting values for extended periods may affect device reliability.

**Application information** — Applications that are described herein for any of these products are for illustrative purposes only. Philips Semiconductors make no representation or warranty that such applications will be suitable for the specified use without further testing or modification.

## 17. Disclaimers

**Life support** — These products are not designed for use in life support appliances, devices, or systems where malfunction of these products can reasonably be expected to result in personal injury. Philips Semiconductors customers using or selling these products for use in such applications do so at their own risk and agree to fully indemnify Philips Semiconductors for any damages resulting from such application.

**Right to make changes** — Philips Semiconductors reserves the right to make changes in the products - including circuits, standard cells, and/or software - described or contained herein in order to improve design and/or performance. When the product is in full production (status 'Production'), relevant changes will be communicated via a Customer Product/Process Change Notification (CPCN). Philips Semiconductors assumes no responsibility or liability for the use of any of these products, conveys no license or title under any patent, copyright, or mask work right to these products, and makes no representations or warranties that these products are free from patent, copyright, or mask work right infringement, unless otherwise specified.

## 18. Contact information

For additional information, please visit: <http://www.semiconductors.philips.com>

For sales office addresses, send an email to: [sales.addresses@www.semiconductors.philips.com](mailto:sales.addresses@www.semiconductors.philips.com)

## 19. Contents

1	General description . . . . .	1
2	Features . . . . .	1
3	Quick reference data . . . . .	2
4	Ordering information . . . . .	2
5	Functional diagram . . . . .	3
6	Pinning information . . . . .	5
6.1	Pinning . . . . .	5
6.2	Pin description . . . . .	5
7	Functional description . . . . .	7
7.1	Function table . . . . .	7
8	Limiting values . . . . .	9
9	Recommended operating conditions . . . . .	9
10	Static characteristics . . . . .	10
11	Dynamic characteristics . . . . .	11
12	Waveforms . . . . .	13
13	Package outline . . . . .	17
14	Revision history . . . . .	19
15	Data sheet status . . . . .	20
16	Definitions . . . . .	20
17	Disclaimers . . . . .	20
18	Contact information . . . . .	20



© Koninklijke Philips Electronics N.V. 2005

All rights are reserved. Reproduction in whole or in part is prohibited without the prior written consent of the copyright owner. The information presented in this document does not form part of any quotation or contract, is believed to be accurate and reliable and may be changed without notice. No liability will be accepted by the publisher for any consequence of its use. Publication thereof does not convey nor imply any license under patent- or other industrial or intellectual property rights.

Date of release: 12 January 2005  
Document number: 9397 750 14326

Published in The Netherlands