

74LVCV2G66

Overvoltage tolerant bilateral switch

Rev. 01 — 2 April 2004

Product data sheet

1. General description

The 74LVCV2G66 is a high-performance, low-power, low-voltage, Si-gate CMOS device that provides superior performance to most advanced CMOS compatible TTL families.

The 74LVCV2G66 provides two single pole, single throw analog or digital switches. Each switch includes an overvoltage tolerant input/output terminal (pin nZ), an output/input terminal (pin nY) and low-power active HIGH enable input (pin nE).

The overvoltage tolerant switch terminals allow the switching of signals in excess of V_{CC} . The low-power enable input eliminates the necessity of using current limiting resistors in portable applications when using control logic signals much lower than V_{CC} . These inputs are also overvoltage tolerant.

2. Features

- Wide supply voltage range from 2.3 V to 5.5 V
- Ultra low-power operation
- Very low ON-resistance:
 - ◆ 8.0 Ω (typ) at $V_{CC} = 2.7$ V
 - ◆ 7.5 Ω (typ) at $V_{CC} = 3.3$ V
 - ◆ 7.3 Ω (typ) at $V_{CC} = 5.0$ V.
- 5 V tolerant input for interfacing with 5 V logic
- High noise immunity
- Switch handling capability of 32 mA
- CMOS low-power consumption
- Latch-up performance exceeds 250 mA
- Incorporates overvoltage tolerant analog switch technology
- Switch accepts voltages up to 5.5 V independent of V_{CC}
- SOT505-2 and SOT765-1 package
- Specified from -40 °C to $+85$ °C and -40 °C to $+125$ °C.

3. Quick reference data

Table 1: Quick reference data

$GND = 0$ V; $t_r = t_f \leq 2.5$ ns; min and max at $T_{amb} = -40$ °C to $+85$ °C; typical at $T_{amb} = 25$ °C.

Symbol	Parameter	Conditions	Min	Typ	Max	Unit
t_{PZH} , t_{PZL}	turn-on time E to Y or Z	$C_L = 50$ pF; $R_L = 500$ Ω				
		$V_{CC} = 3.0$ V to 3.6 V	1.0	3.8	7.5	ns
		$V_{CC} = 4.5$ V to 5.5 V	1.0	2.7	5.0	ns

PHILIPS

Table 1: Quick reference data ...continued

$GND = 0\text{ V}$; $t_r = t_f \leq 2.5\text{ ns}$; min and max at $T_{amb} = -40\text{ }^\circ\text{C}$ to $+85\text{ }^\circ\text{C}$; typical at $T_{amb} = 25\text{ }^\circ\text{C}$.

Symbol	Parameter	Conditions	Min	Typ	Max	Unit
t_{PHZ}, t_{PLZ}	turn-off time E to Y or Z	$C_L = 50\text{ pF}$; $R_L = 500\ \Omega$				
		$V_{CC} = 3.0\text{ V}$ to 3.6 V	1.0	6.5	13.5	ns
		$V_{CC} = 4.5\text{ V}$ to 5.5 V	1.0	4.4	9.0	ns
C_I	input capacitance		-	2.5	-	pF
C_S	switch capacitance	OFF-state	-	8.0	-	pF
		ON-state	-	16	-	pF
C_{PD}	power dissipation capacitance per switch	$f_i = 10\text{ MHz}$; $V_{CC} = 3.3\text{ V}$	[1] [2] -	10.3	-	pF

[1] C_{PD} is used to determine the dynamic power dissipation (P_D in μW).

$P_D = C_{PD} \times V_{CC}^2 \times f_i \times N$ where:

f_i = input frequency in MHz;

V_{CC} = supply voltage in V;

N = number of inputs.

[2] The condition is $V_I = GND$ to 5.5 V .

4. Ordering information

Table 2: Ordering information

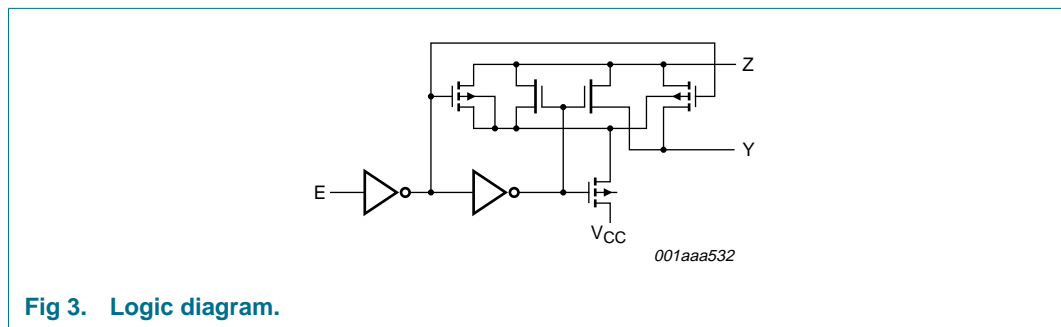
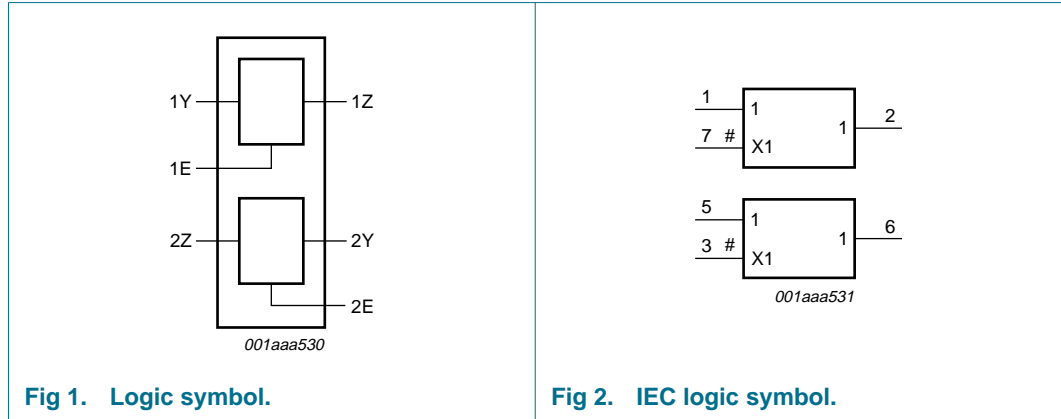
Type number	Package			
	Temperature range	Name	Description	Version
74LVCV2G66DP	$-40\text{ }^\circ\text{C}$ to $+125\text{ }^\circ\text{C}$	TSSOP8	plastic thin shrink small outline package; 8 leads; body width 3 mm; lead length 0.5 mm	SOT505-2
74LVCV2G66DC	$-40\text{ }^\circ\text{C}$ to $+125\text{ }^\circ\text{C}$	VSSOP8	plastic very thin shrink small outline package; 8 leads; body width 2.3 mm	SOT765-1

5. Marking

Table 3: Marking

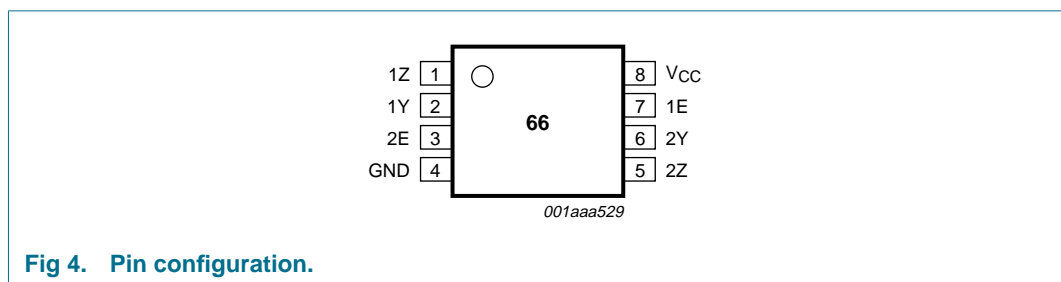
Type number	Marking code
74LVCV2G66DP	Y66
74LVCV2G66DC	Y66

6. Functional diagram



7. Pinning information

7.1 Pinning



7.2 Pin description

Table 4: Pin description

Pin	Symbol	Description
1	1Z	independent input/output (overvoltage tolerance)
2	1Y	independent input/output
3	2E	enable input (active HIGH)
4	GND	ground (0 V)
5	2Z	independent input/output (overvoltage tolerance)

Table 4: Pin description ...continued

Pin	Symbol	Description
6	2Y	independent input/output
7	1E	enable input (active HIGH)
8	V _{CC}	supply voltage

8. Functional description

8.1 Function table

Table 5: Function table [1]

Input nE	Switch
L	OFF-state
H	ON-state

[1] H = HIGH voltage level;
L = LOW voltage level.

9. Limiting values

Table 6: Limiting values

In accordance with the Absolute Maximum Rating System (IEC 60134). Voltages are referenced to GND (ground = 0 V).

Symbol	Parameter	Conditions	Min	Max	Unit
V _{CC}	supply voltage		-0.5	+6.5	V
V _I	input voltage		[1] -0.5	+6.5	V
I _{IK}	input diode current	V _I < -0.5 V or V _I > 6.5 V	-	-50	mA
I _{SK}	switch diode current	V _I < -0.5 V or V _I > 6.5 V	-	±50	mA
V _S	DC switch voltage range	enable and disable mode	-0.5	+6.5	V
I _S	switch source or sink current	V _S < -0.5 V or V _S > 6.5 V	-	±50	mA
I _{CC} , I _{GND}	V _{CC} or GND current		-	±100	mA
T _{stg}	storage temperature		-65	+150	°C
P _{tot}	power dissipation	T _{amb} = -40 °C to +125 °C	-	300	mW

[1] The input and output voltage ratings may be exceeded if the input and output current ratings are observed.

10. Recommended operating conditions

Table 7: Recommended operating conditions

Symbol	Parameter	Conditions	Min	Typ	Max	Unit
V_{CC}	supply voltage		2.3	-	5.5	V
V_I	input voltage		0	-	5.5	V
V_S	DC switch voltage range	enable and disable mode	[1] 0	-	5.5	V
T_{amb}	operating ambient temperature		-40	-	+125	°C
t_r, t_f	input rise and fall times	$V_{CC} = 2.3 \text{ V to } 2.7 \text{ V}$	0	-	20	ns/V
		$V_{CC} = 2.7 \text{ V to } 5.5 \text{ V}$	0	-	10	ns/V

[1] To avoid drawing V_{CC} current out of terminal nZ when switch current flows in terminal nY, the voltage drop across the bidirectional switch must not exceed 0.4 V. If the switch current flows into terminal nZ, no V_{CC} current will flow out of terminal nY. In this case, there is no limit for the voltage drop across the switch.

11. Static characteristics

Table 8: Static characteristics

At recommended operating conditions; voltages are referenced to GND (ground 0 V).

Symbol	Parameter	Conditions	Min	Typ	Max	Unit
$T_{amb} = -40 \text{ °C to } +85 \text{ °C}$ [1]						
V_{IH}	HIGH-level input voltage	$V_{CC} = 2.3 \text{ V to } 2.7 \text{ V}$	$0.6 \times V_{CC}$	-	-	V
		$V_{CC} = 3.0 \text{ V to } 3.6 \text{ V}$	2.0	-	-	V
		$V_{CC} = 4.5 \text{ V to } 5.5 \text{ V}$	$0.55 \times V_{CC}$	-	-	V
V_{IL}	LOW-level input voltage	$V_{CC} = 2.3 \text{ V to } 2.7 \text{ V}$	-	-	$0.1 \times V_{CC}$	V
		$V_{CC} = 3.0 \text{ V to } 3.6 \text{ V}$	-	-	0.5	V
		$V_{CC} = 4.5 \text{ V to } 5.5 \text{ V}$	-	-	$0.15 \times V_{CC}$	V
I_{LI}	input leakage current	$V_I = 5.5 \text{ V or GND}; V_{CC} = 5.5 \text{ V}$	-	± 0.1	± 5	μA
$I_{S(OFF)}$	analog switch OFF-state current per channel	$V_S = 0 \text{ V or } 5.5 \text{ V}; V_{CC} = 2.3 \text{ V to } 5.5 \text{ V};$ see Figure 5	[2] -	± 0.1	± 10	μA
$I_{S(ON)}$	analog switch ON-state current per channel	$V_S = 0 \text{ V or } 5.5 \text{ V}; V_{CC} = 2.3 \text{ V to } 5.5 \text{ V};$ see Figure 6	[2] -	± 0.1	± 10	μA
I_{CC}	quiescent supply current	$V_I = V_{CC} \text{ or GND}; I_O = 0 \text{ A}; V_{CC} = 5.5 \text{ V}$	-	0.1	10	μA
ΔI_{CC}	additional quiescent supply current per pin	$V_I = V_{CC} - 0.6 \text{ V}; I_O = 0 \text{ A}; V_{CC} = 3.0 \text{ V to } 5.5 \text{ V}$	-	0.1	5	μA
C_I	input capacitance		-	2.5	-	pF
C_S	switch capacitance	OFF-state	-	8.0	-	pF
		ON-state	-	16	-	pF

Table 8: Static characteristics ...continued

At recommended operating conditions; voltages are referenced to GND (ground 0 V).

Symbol	Parameter	Conditions	Min	Typ	Max	Unit
T_{amb} = -40 °C to +125 °C						
V _{IH}	HIGH-level input voltage	V _{CC} = 2.3 V to 2.7 V	0.6 × V _{CC}	-	-	V
		V _{CC} = 3.0 V to 3.6 V	2.0	-	-	V
		V _{CC} = 4.5 V to 5.5 V	0.55 × V _{CC}	-	-	V
V _{IL}	LOW-level input voltage	V _{CC} = 2.3 V to 2.7 V	-	-	0.1 × V _{CC}	V
		V _{CC} = 3.0 V to 3.6 V	-	-	0.5	V
		V _{CC} = 4.5 V to 5.5 V	-	-	0.15 × V _{CC}	V
I _{LI}	input leakage current	V _I = 5.5 V or GND; V _{CC} = 5.5 V	-	-	±5	µA
I _{S(OFF)}	analog switch OFF-state current per channel	V _S = 0 V or 5.5 V; V _{CC} = 2.3 V to 5.5 V; see Figure 5	[2]	-	±10	µA
I _{S(ON)}	analog switch ON-state current per channel	V _S = 0 V or 5.5 V; V _{CC} = 2.3 V to 5.5 V; see Figure 6	[2]	-	±10	µA
I _{CC}	quiescent supply current	V _I = V _{CC} or GND; I _O = 0 A; V _{CC} = 5.5 V	-	-	40	µA
ΔI _{CC}	additional quiescent supply current per pin	V _I = V _{CC} - 0.6 V; I _O = 0 A; V _{CC} = 3.0 V to 5.5 V	-	-	50	µA

- [1] All typical values are measured at T_{amb} = 25 °C.
- [2] For overvoltage signals (V_S > V_{CC}) the condition V_Y < V_Z must be observed.

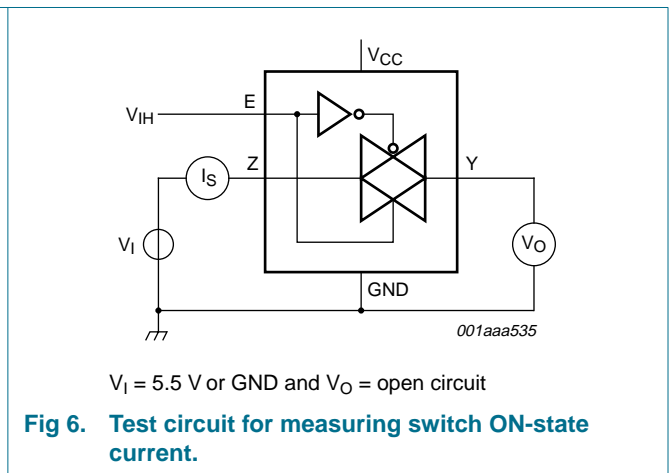
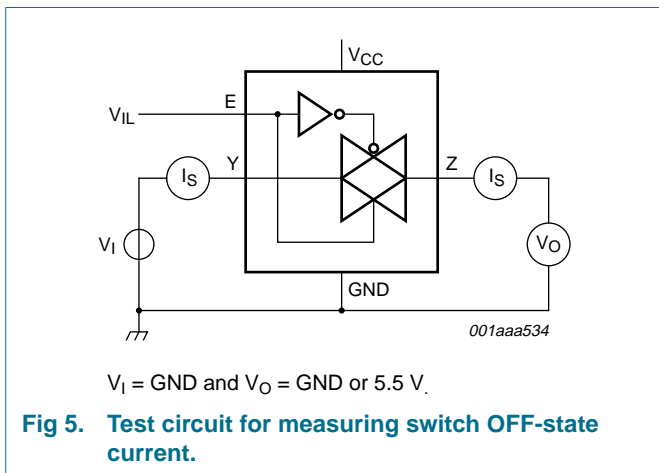
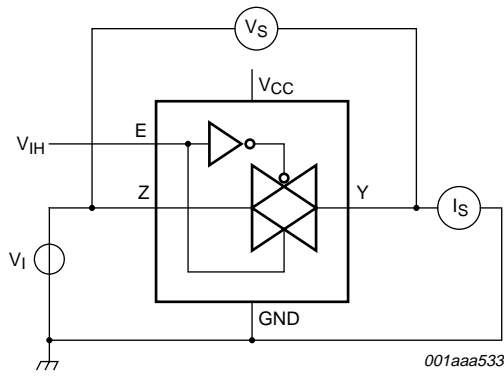


Table 9: Resistance R_{ON} At recommended operating conditions; voltages are referenced to GND (ground 0 V); see test circuit [Figure 7](#).

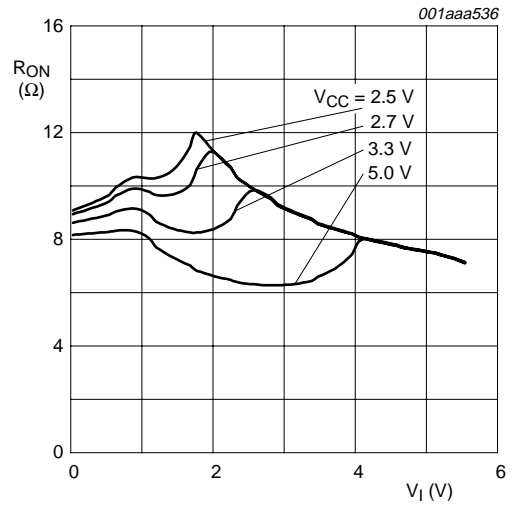
Symbol	Parameter	Conditions	Min	Typ	Max	Unit	
$T_{amb} = -40\text{ °C to }+85\text{ °C}$ [1]							
$R_{ON(peak)}$	switch ON-state resistance (peak)	$V_S = \text{GND to } V_{CC}; V_I = V_{IH}$					
		$I_S = 8\text{ mA}; V_{CC} = 2.3\text{ V to } 2.7\text{ V}$	-	13	30	Ω	
		$I_S = 12\text{ mA}; V_{CC} = 2.7\text{ V}$	-	10	25	Ω	
		$I_S = 24\text{ mA}; V_{CC} = 3.0\text{ V to } 3.6\text{ V}$	-	8.3	20	Ω	
		$I_S = 32\text{ mA}; V_{CC} = 4.5\text{ V to } 5.5\text{ V}$	-	7.4	15	Ω	
$R_{ON(rail)}$	switch ON-state resistance (rail)	$V_S = \text{GND}; V_I = V_{IH}$					
		$I_S = 8\text{ mA}; V_{CC} = 2.3\text{ V to } 2.7\text{ V}$	-	8.5	20	Ω	
		$I_S = 12\text{ mA}; V_{CC} = 2.7\text{ V}$	-	8.0	18	Ω	
		$I_S = 24\text{ mA}; V_{CC} = 3.0\text{ V to } 3.6\text{ V}$	-	7.5	15	Ω	
		$I_S = 32\text{ mA}; V_{CC} = 4.5\text{ V to } 5.5\text{ V}$	-	7.3	10	Ω	
		$V_S = V_{CC}; V_I = V_{IH}$					
		$I_S = 8\text{ mA}; V_{CC} = 2.3\text{ V to } 2.7\text{ V}$	-	8.5	20	Ω	
		$I_S = 12\text{ mA}; V_{CC} = 2.7\text{ V}$	-	7.2	18	Ω	
		$I_S = 24\text{ mA}; V_{CC} = 3.0\text{ V to } 3.6\text{ V}$	-	6.5	15	Ω	
		$I_S = 32\text{ mA}; V_{CC} = 4.5\text{ V to } 5.5\text{ V}$	-	5.7	10	Ω	
$R_{ON(flatness)}$	switch ON-resistance (flatness)	$V_S = \text{GND to } V_{CC}; V_I = V_{IH}; \text{ see } \text{Figure 9}$					
		$I_S = 8\text{ mA}; V_{CC} = 2.5\text{ V}$	-	17	-	Ω	
		$I_S = 12\text{ mA}; V_{CC} = 2.7\text{ V}$	-	10	-	Ω	
		$I_S = 24\text{ mA}; V_{CC} = 3.3\text{ V}$	-	5	-	Ω	
		$I_S = 32\text{ mA}; V_{CC} = 5.0\text{ V}$	-	3	-	Ω	
$T_{amb} = -40\text{ °C to }+125\text{ °C}$							
$R_{ON(peak)}$	switch ON-state resistance (peak)	$V_S = \text{GND to } V_{CC}; V_I = V_{IH}$					
		$I_S = 8\text{ mA}; V_{CC} = 2.3\text{ V to } 2.7\text{ V}$	-	-	30	Ω	
		$I_S = 12\text{ mA}; V_{CC} = 2.7\text{ V}$	-	-	25	Ω	
		$I_S = 24\text{ mA}; V_{CC} = 3.0\text{ V to } 3.6\text{ V}$	-	-	20	Ω	
		$I_S = 32\text{ mA}; V_{CC} = 4.5\text{ V to } 5.5\text{ V}$	-	-	15	Ω	
$R_{ON(rail)}$	switch ON-state resistance (rail)	$V_S = \text{GND}; V_I = V_{IH}$					
		$I_S = 8\text{ mA}; V_{CC} = 2.3\text{ V to } 2.7\text{ V}$	-	-	20	Ω	
		$I_S = 12\text{ mA}; V_{CC} = 2.7\text{ V}$	-	-	18	Ω	
		$I_S = 24\text{ mA}; V_{CC} = 3.0\text{ V to } 3.6\text{ V}$	-	-	15	Ω	
		$I_S = 32\text{ mA}; V_{CC} = 4.5\text{ V to } 5.5\text{ V}$	-	-	10	Ω	
		$V_S = V_{CC}; V_I = V_{IH}$					
		$I_S = 8\text{ mA}; V_{CC} = 2.3\text{ V to } 2.7\text{ V}$	-	-	20	Ω	
		$I_S = 12\text{ mA}; V_{CC} = 2.7\text{ V}$	-	-	18	Ω	
		$I_S = 24\text{ mA}; V_{CC} = 3.0\text{ V to } 3.6\text{ V}$	-	-	15	Ω	
		$I_S = 32\text{ mA}; V_{CC} = 4.5\text{ V to } 5.5\text{ V}$	-	-	10	Ω	

[1] All typical values are measured at $T_{amb} = 25\text{ °C}$.



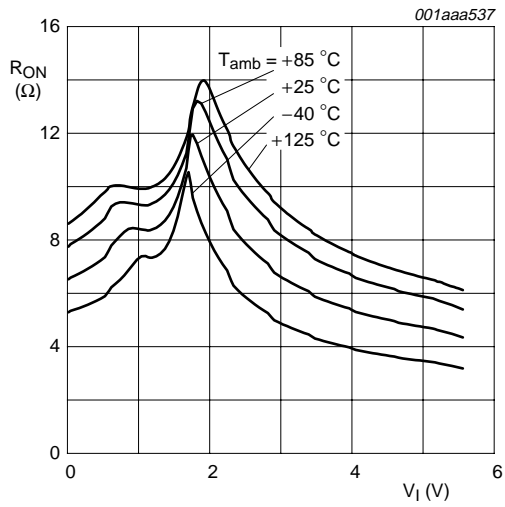
$V_I = \text{GND to } 5.5 \text{ V}; R_{ON} = V_S/I_S.$

Fig 7. Test circuit for measuring switch ON-resistance.

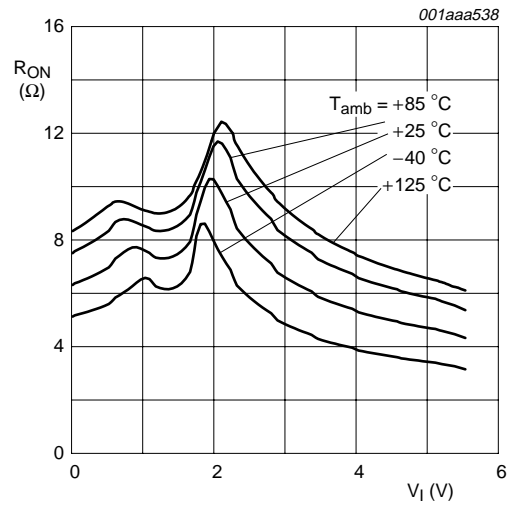


$V_I = \text{GND to } 5.5 \text{ V}; T_{\text{amb}} = 25 \text{ }^\circ\text{C}.$

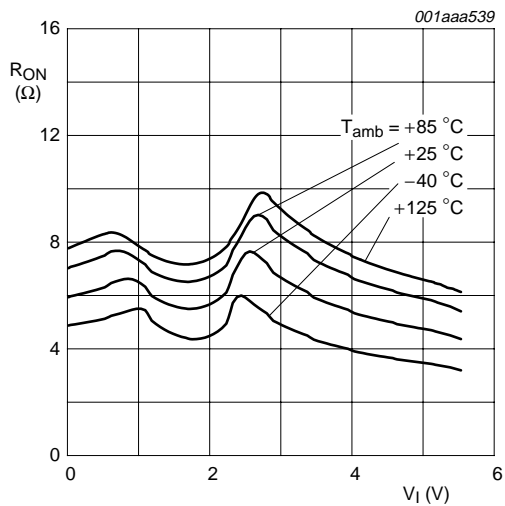
Fig 8. Typical switch ON-resistance as a function of input voltage.



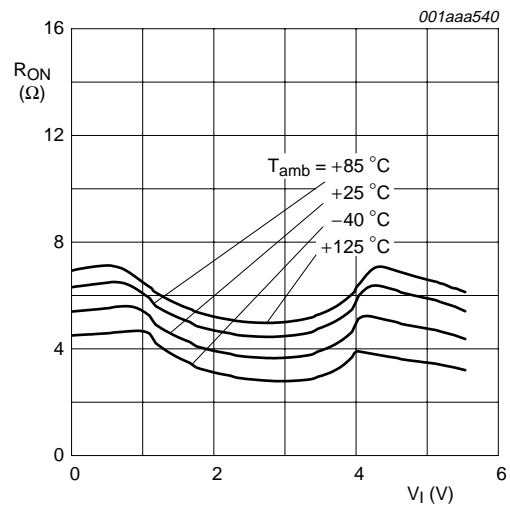
a. $V_{CC} = 2.5\text{ V}$



b. $V_{CC} = 2.7\text{ V}$



c. $V_{CC} = 3.3\text{ V}$



d. $V_{CC} = 5.0\text{ V}$

Fig 9. Switch ON-resistance at various supply voltages as a function of input voltage.

12. Dynamic characteristics

Table 10: Dynamic characteristics

At recommended operating conditions; voltages are referenced to GND (ground = 0 V); test circuit [Figure 12](#).

Symbol	Parameter	Conditions	Min	Typ	Max	Unit
T_{amb} = -40 °C to +85 °C [1]						
t _{PHL} , t _{PLH}	propagation delay nY to nZ or nZ to nY	see Figure 10	[2]			
		V _{CC} = 2.3 V to 2.7 V	-	0.4	1.2	ns
		V _{CC} = 2.7 V	-	0.4	1.0	ns
		V _{CC} = 3.0 V to 3.6 V	-	0.3	0.8	ns
		V _{CC} = 4.5 V to 5.5 V	-	0.2	0.6	ns
t _{PZH} , t _{PZL}	turn-on time E to Y or Z	see Figure 11				
		V _{CC} = 2.3 V to 2.7 V	1.0	4.7	12	ns
		V _{CC} = 2.7 V	1.0	4.4	8.5	ns
		V _{CC} = 3.0 V to 3.6 V	1.0	3.8	7.5	ns
		V _{CC} = 4.5 V to 5.5 V	1.0	2.7	5.0	ns
t _{PHZ} , t _{PLZ}	turn-off time E to Y or Z	see Figure 11				
		V _{CC} = 2.3 V to 2.7 V	1.0	6.0	16	ns
		V _{CC} = 2.7 V	1.0	7.9	15	ns
		V _{CC} = 3.0 V to 3.6 V	1.0	6.5	13.5	ns
		V _{CC} = 4.5 V to 5.5 V	1.0	4.4	9.0	ns
C _{PD}	power dissipation capacitance per switch	C _L = 50 pF; f _i = 10 MHz	[3] [4]			
		V _{CC} = 2.5 V	-	9.7	-	pF
		V _{CC} = 3.3 V	-	10.3	-	pF
		V _{CC} = 5.0 V	-	11.3	-	pF
T_{amb} = -40 °C to +125 °C						
t _{PHL} , t _{PLH}	propagation delay nY to nZ or nZ to nY	see Figure 10	[2]			
		V _{CC} = 2.3 V to 2.7 V	-	-	2.0	ns
		V _{CC} = 2.7 V	-	-	1.5	ns
		V _{CC} = 3.0 V to 3.6 V	-	-	1.5	ns
		V _{CC} = 4.5 V to 5.5 V	-	-	1.0	ns
t _{PZH} , t _{PZL}	turn-on time E to Y or Z	see Figure 11				
		V _{CC} = 2.3 V to 2.7 V	1.0	-	15	ns
		V _{CC} = 2.7 V	1.0	-	11	ns
		V _{CC} = 3.0 V to 3.6 V	1.0	-	9.5	ns
		V _{CC} = 4.5 V to 5.5 V	1.0	-	6.5	ns
t _{PHZ} , t _{PLZ}	turn-off time E to Y or Z	see Figure 11				
		V _{CC} = 2.3 V to 2.7 V	1.0	-	20	ns
		V _{CC} = 2.7 V	1.0	-	19	ns
		V _{CC} = 3.0 V to 3.6 V	1.0	-	17	ns
		V _{CC} = 4.5 V to 5.5 V	1.0	-	11.5	ns

[1] All typical values are measured at T_{amb} = 25 °C.

- [2] t_{PHL} and t_{PLH} propagation delay is the calculated RC time constant of the typical ON-state resistance of the switch and the specified capacitance when driven by an ideal voltage source (zero output impedance).
- [3] C_{PD} is used to determine the dynamic power dissipation (P_D in μW).
 $P_D = C_{PD} \times V_{CC}^2 \times f_i \times N$ where:
 f_i = input frequency in MHz;
 V_{CC} = supply voltage in V;
 N = number of inputs.
- [4] The condition is $V_I = GND$ to 5.5 V.

13. Waveforms

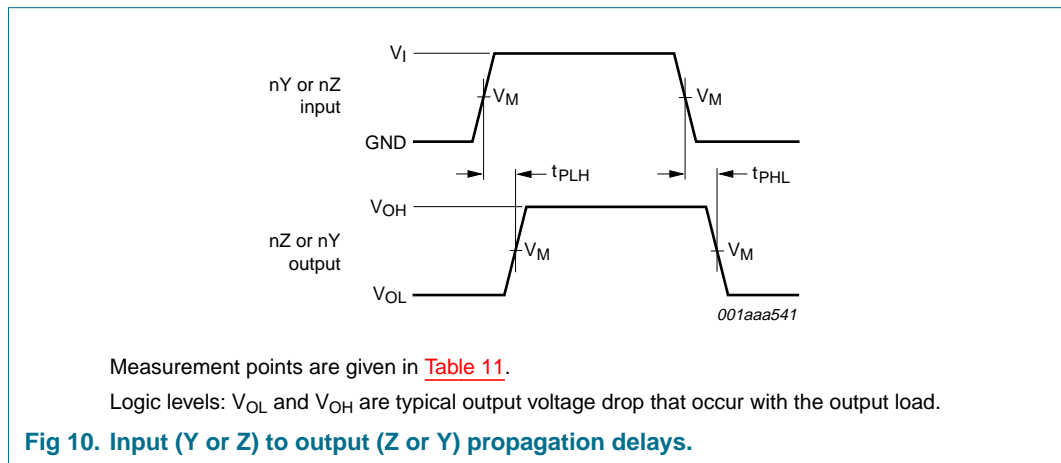


Table 11: Measurement points

Supply voltage	Input	Output
V_{CC}	V_M	V_M
2.3 V to 2.7 V	$0.5 \times V_{CC}$	$0.5 \times V_{CC}$
2.7 V	1.5 V	1.5 V
3.0 V to 3.6 V	1.5 V	1.5 V
4.5 V to 5.5 V	$0.5 \times V_{CC}$	$0.5 \times V_{CC}$

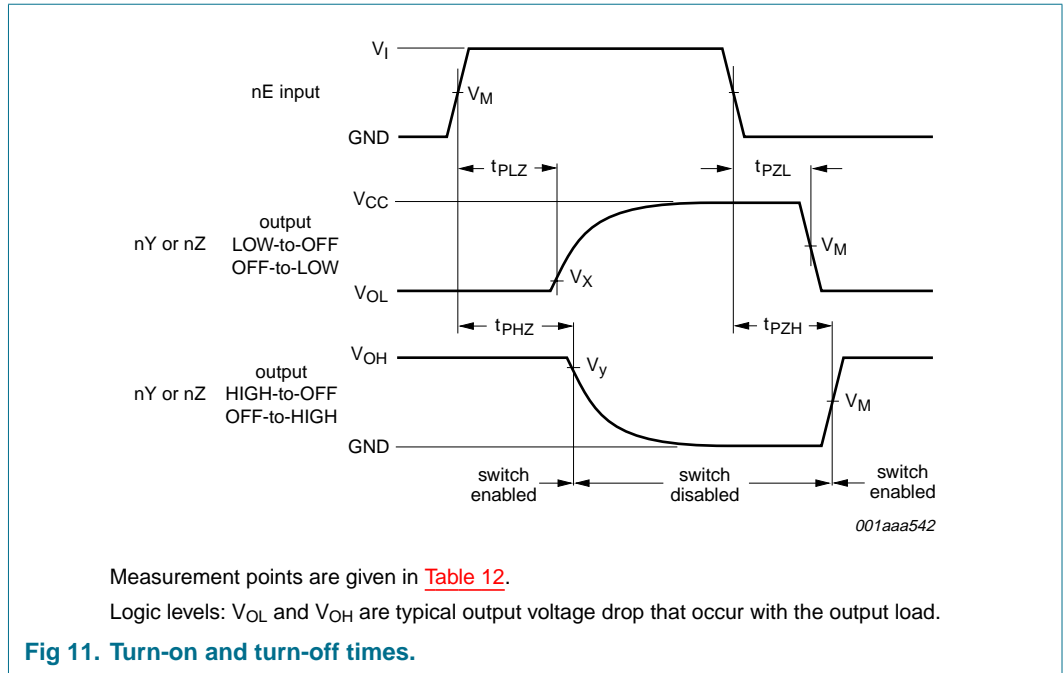


Table 12: Measurement points

Supply voltage	Input	Output		
V_{CC}	V_M	V_M	V_X	V_Y
2.3 V to 2.7 V	$0.5 \times V_{CC}$	$0.5 \times V_{CC}$	$V_{OL} + 0.1 \times V_{CC}$	$V_{OH} - 0.1 \times V_{CC}$
2.7 V	1.5 V	1.5 V	$V_{OL} + 0.3 V$	$V_{OH} - 0.3 V$
3.0 V to 3.6 V	1.5 V	1.5 V	$V_{OL} + 0.3 V$	$V_{OH} - 0.3 V$
4.5 V to 5.5 V	$0.5 \times V_{CC}$	$0.5 \times V_{CC}$	$V_{OL} + 0.3 V$	$V_{OH} - 0.3 V$

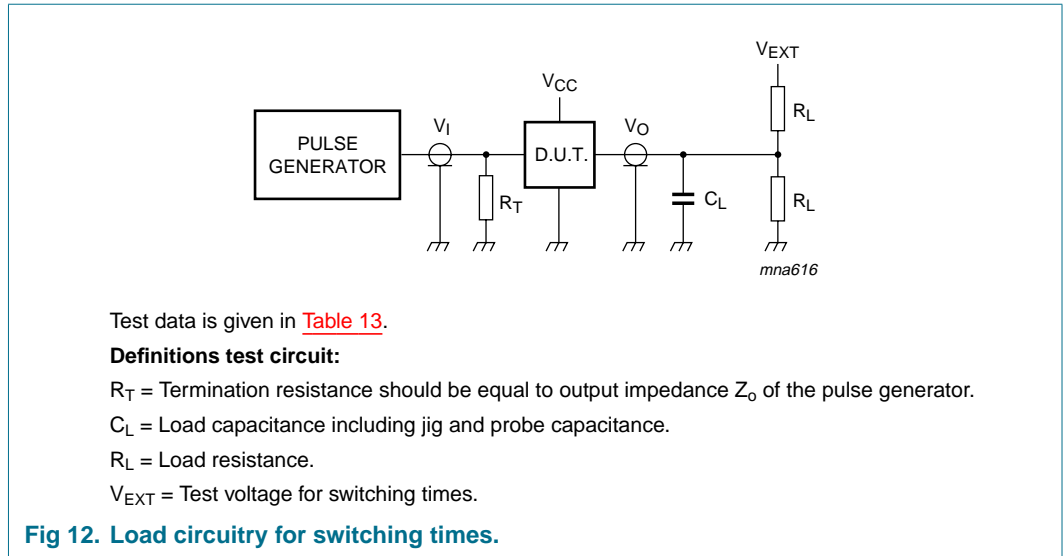


Table 13: Test data

Supply voltage	Input		Load		V_{EXT}		
V_{CC}	V_I	t_r, t_f	C_L	R_L	t_{PLH}, t_{PHL}	t_{PZH}, t_{PHZ}	t_{PZL}, t_{PLZ}
2.3 V to 2.7 V	V_{CC}	≤ 2.0 ns	30 pF	500 Ω	open	GND	$2 \times V_{CC}$
2.7 V	2.7 V	≤ 2.5 ns	50 pF	500 Ω	open	GND	6.0 V
3.0 V to 3.6 V	2.7 V	≤ 2.5 ns	50 pF	500 Ω	open	GND	6.0 V
4.5 V to 5.5 V	V_{CC}	≤ 2.5 ns	50 pF	500 Ω	open	GND	$2 \times V_{CC}$

14. Additional dynamic characteristics

Table 14: Additional dynamic characteristics

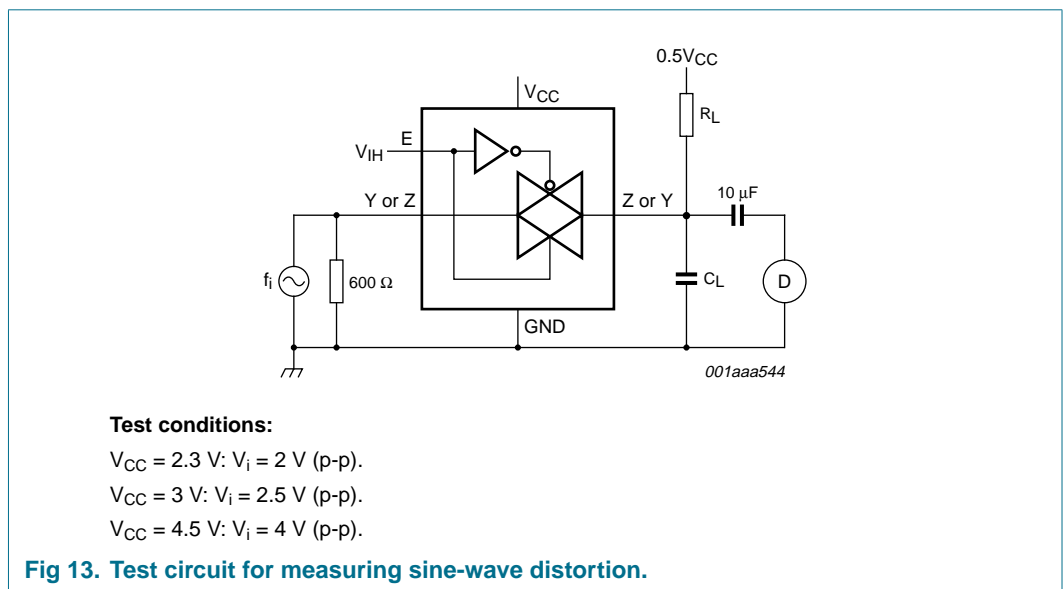
At recommended conditions; typical values measured at $T_{amb} = 25^\circ\text{C}$.

Symbol	Parameter	Conditions	Min	Typ	Max	Unit
d_{sin}	sine-wave distortion	$f_i = 1\text{ kHz}$; $R_L = 10\text{ k}\Omega$; $C_L = 50\text{ pF}$; see Figure 13				
		$V_{CC} = 2.3\text{ V}$	-	0.42	-	%
		$V_{CC} = 3.0\text{ V}$	-	0.36	-	%
		$V_{CC} = 4.5\text{ V}$	-	0.47	-	%
		$f_i = 10\text{ kHz}$; $R_L = 10\text{ k}\Omega$; $C_L = 50\text{ pF}$; see Figure 13				
		$V_{CC} = 2.3\text{ V}$	-	0.11	-	%
		$V_{CC} = 3.0\text{ V}$	-	0.07	-	%
		$V_{CC} = 4.5\text{ V}$	-	0.01	-	%
		$f_{\text{ON-state(res)}}$	switch ON-state signal frequency response	$R_L = 600\ \Omega$; $C_L = 50\text{ pF}$; $f_i = 1\text{ MHz}$; see Figure 14	[1]	
$V_{CC} = 2.3\text{ V}$	-			160	-	MHz
$V_{CC} = 3.0\text{ V}$	-			200	-	MHz
$V_{CC} = 4.5\text{ V}$	-			210	-	MHz
$R_L = 50\ \Omega$; $C_L = 5\text{ pF}$; $f_i = 1\text{ MHz}$; see Figure 14	[1]					
$V_{CC} = 2.3\text{ V}$	-			180	-	MHz
$V_{CC} = 3.0\text{ V}$	-			180	-	MHz
$V_{CC} = 4.5\text{ V}$	-			180	-	MHz
$\alpha_{\text{OFF(ft)}}$	switch OFF-state signal feed-through attenuation			$R_L = 600\ \Omega$; $C_L = 50\text{ pF}$; $f_i = 1\text{ MHz}$; see Figure 15	[2]	
		$V_{CC} = 2.3\text{ V}$	-	-65	-	dB
		$V_{CC} = 3.0\text{ V}$	-	-65	-	dB
		$V_{CC} = 4.5\text{ V}$	-	-62	-	dB
		$R_L = 50\ \Omega$; $C_L = 5\text{ pF}$; $f_i = 1\text{ MHz}$; see Figure 15	[2]			
		$V_{CC} = 2.3\text{ V}$	-	-37	-	dB
		$V_{CC} = 3.0\text{ V}$	-	-36	-	dB
		$V_{CC} = 4.5\text{ V}$	-	-36	-	dB
		$V_{\text{ct(ctl-sw)}}$	crosstalk between control input to signal output	$R_L = 600\ \Omega$; $C_L = 50\text{ pF}$; $f_i = 1\text{ MHz}$; $t_r = t_f = 2\text{ ns}$; see Figure 16		
$V_{CC} = 2.3\text{ V}$	-			91	-	mV
$V_{CC} = 3.0\text{ V}$	-			119	-	mV
$V_{CC} = 4.5\text{ V}$	-			205	-	mV

Table 14: Additional dynamic characteristics ...continued
 At recommended conditions; typical values measured at $T_{amb} = 25^{\circ}C$.

Symbol	Parameter	Conditions	Min	Typ	Max	Unit
$V_{ct(sw-sw)}$	crosstalk between switches	$R_L = 600 \Omega$; $C_L = 50 \text{ pF}$; $f_i = 1 \text{ MHz}$; see Figure 17				
		$V_{CC} = 2.3 \text{ V}$	-	-56	-	dB
		$V_{CC} = 3.0 \text{ V}$	-	-55	-	dB
		$V_{CC} = 4.5 \text{ V}$	-	-55	-	dB
		$R_L = 50 \Omega$; $C_L = 5 \text{ pF}$; $f_i = 1 \text{ MHz}$; see Figure 17				
		$V_{CC} = 2.3 \text{ V}$	-	-29	-	dB
Q	injection charge	$C_L = 0.1 \text{ nF}$; $V_{gen} = 0 \text{ V}$; $R_{gen} = 0 \Omega$; $f = 1 \text{ MHz}$; $R_L = 1 \text{ M}\Omega$; see Figure 18				
		$V_{CC} = 2.5 \text{ V}$	-	<0.003	-	pC
		$V_{CC} = 3.3 \text{ V}$	-	0.003	-	pC
		$V_{CC} = 4.5 \text{ V}$	-	0.0035	-	pC
		$V_{CC} = 5.5 \text{ V}$	-	0.0035	-	pC

- [1] Adjust f_i voltage to obtain 0 dBm level at output. Increase f_i frequency until dB meter reads -3 dB.
- [2] Adjust f_i voltage to obtain 0 dBm level at input.
- [3] Definition: $Q = \Delta V_{out} \times C_L$. Guaranteed by design.



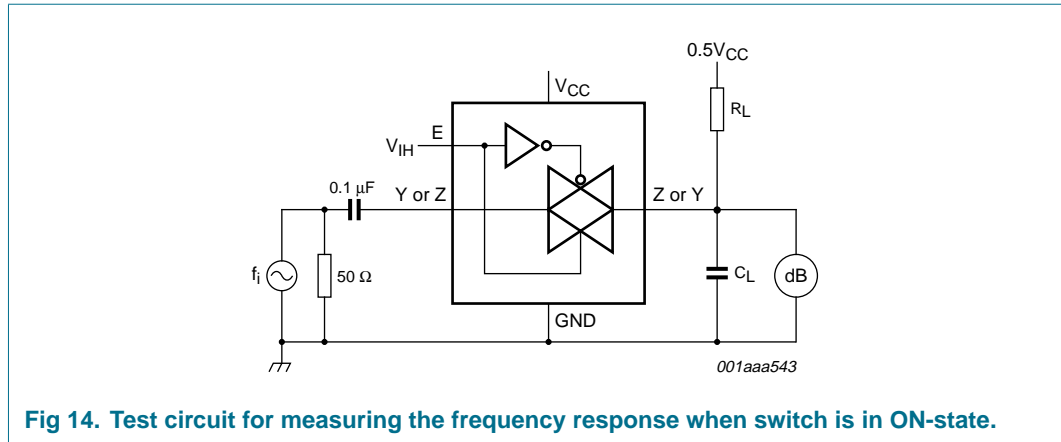


Fig 14. Test circuit for measuring the frequency response when switch is in ON-state.

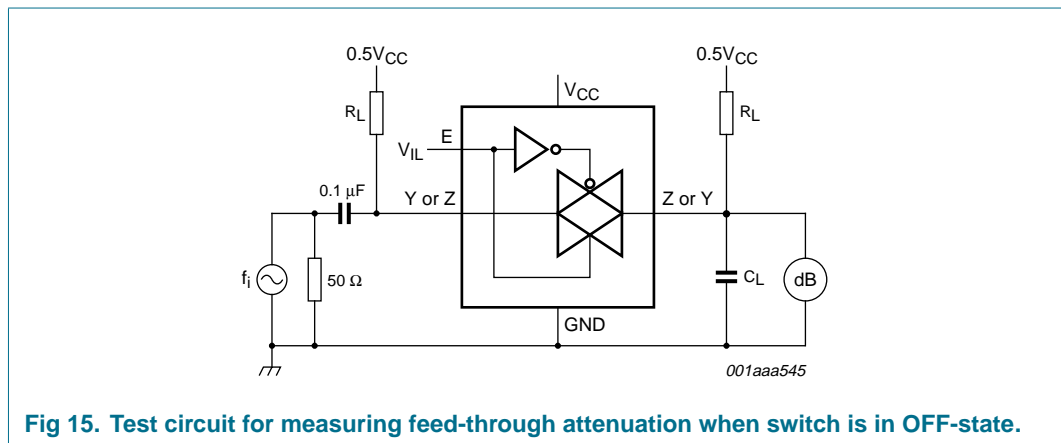


Fig 15. Test circuit for measuring feed-through attenuation when switch is in OFF-state.

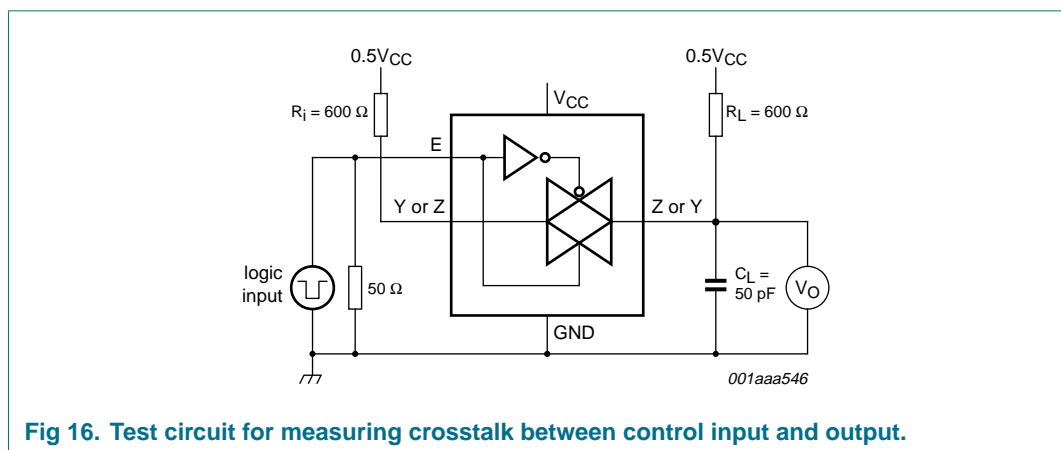
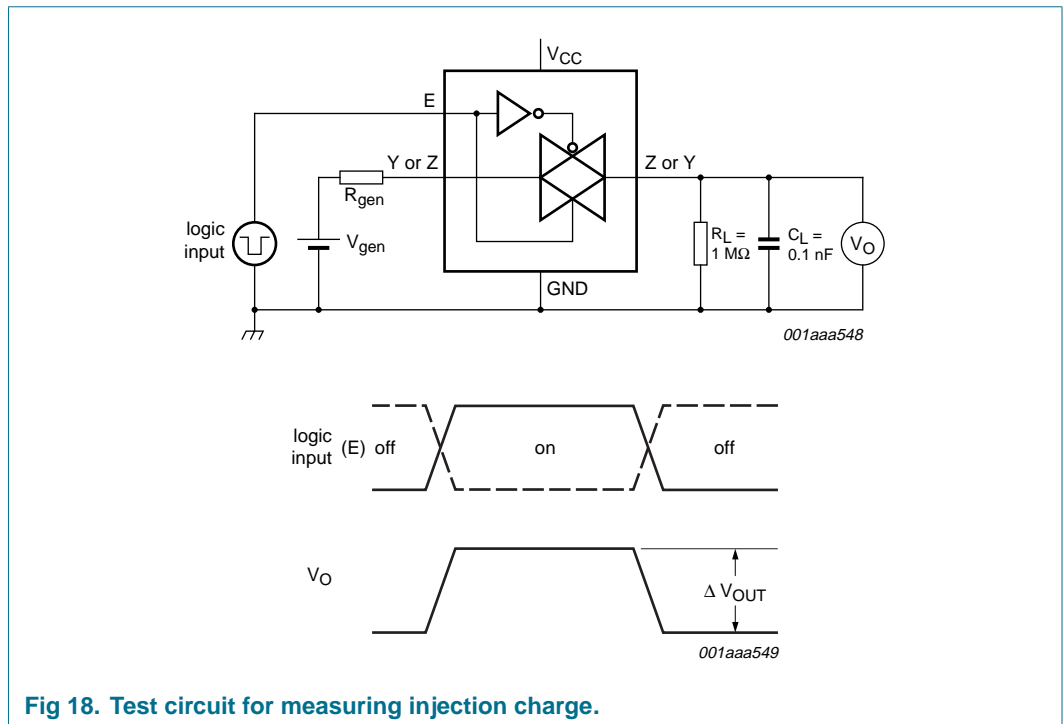
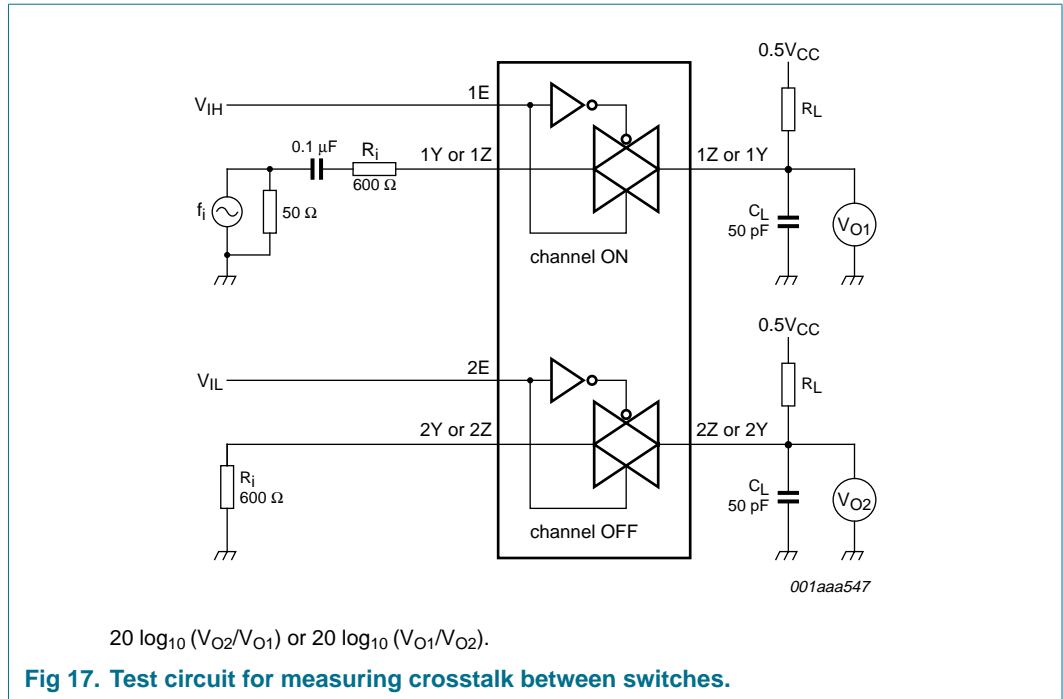


Fig 16. Test circuit for measuring crosstalk between control input and output.



15. Application information

Use the 74LVCV2G66 to reduce component count and footprint in low-power portable applications.

Typical '66' devices do not have low-power enable inputs causing a high ΔI_{CC} . To reduce power consumption in portable (battery) applications, a current limiting resistor is used. (see [Figure 19a](#)). The low-power enable inputs of the 74 LVCV2G66 have much lower ΔI_{CC} , eliminating the necessity of the current limiting resistor (see [Figure 19b](#)).

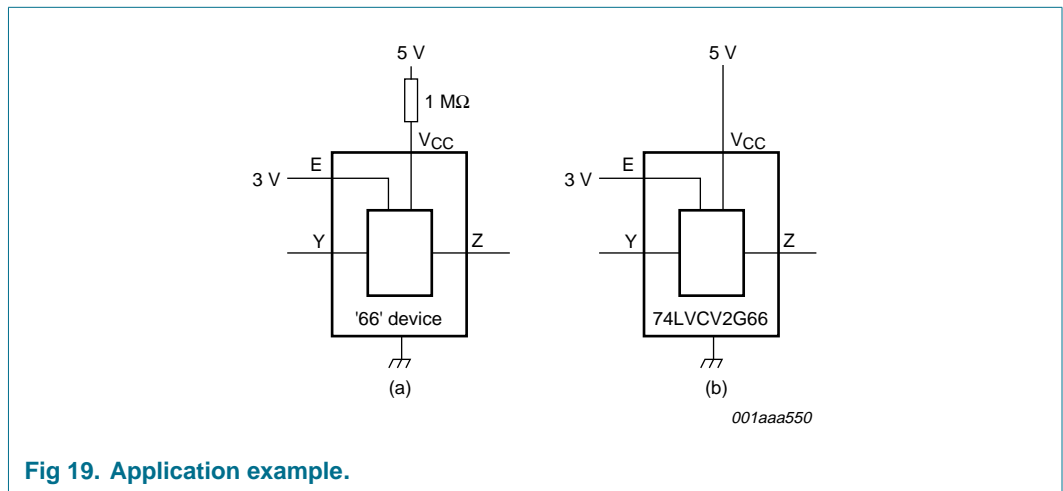


Fig 19. Application example.

16. Package outline

TSSOP8: plastic thin shrink small outline package; 8 leads; body width 3 mm; lead length 0.5 mm SOT505-2

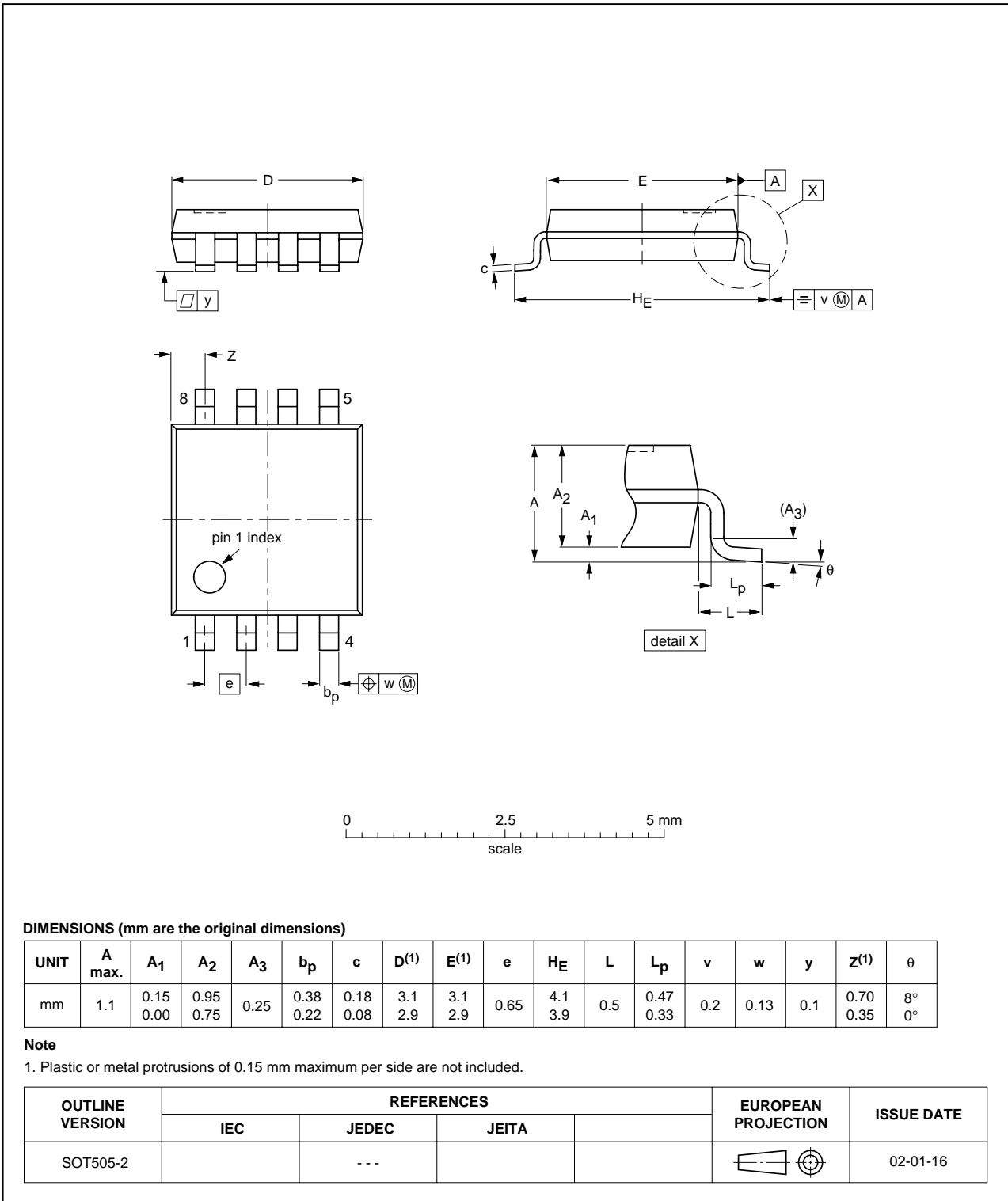


Fig 20. Package outline TSSOP8.

VSSOP8: plastic very thin shrink small outline package; 8 leads; body width 2.3 mm

SOT765-1

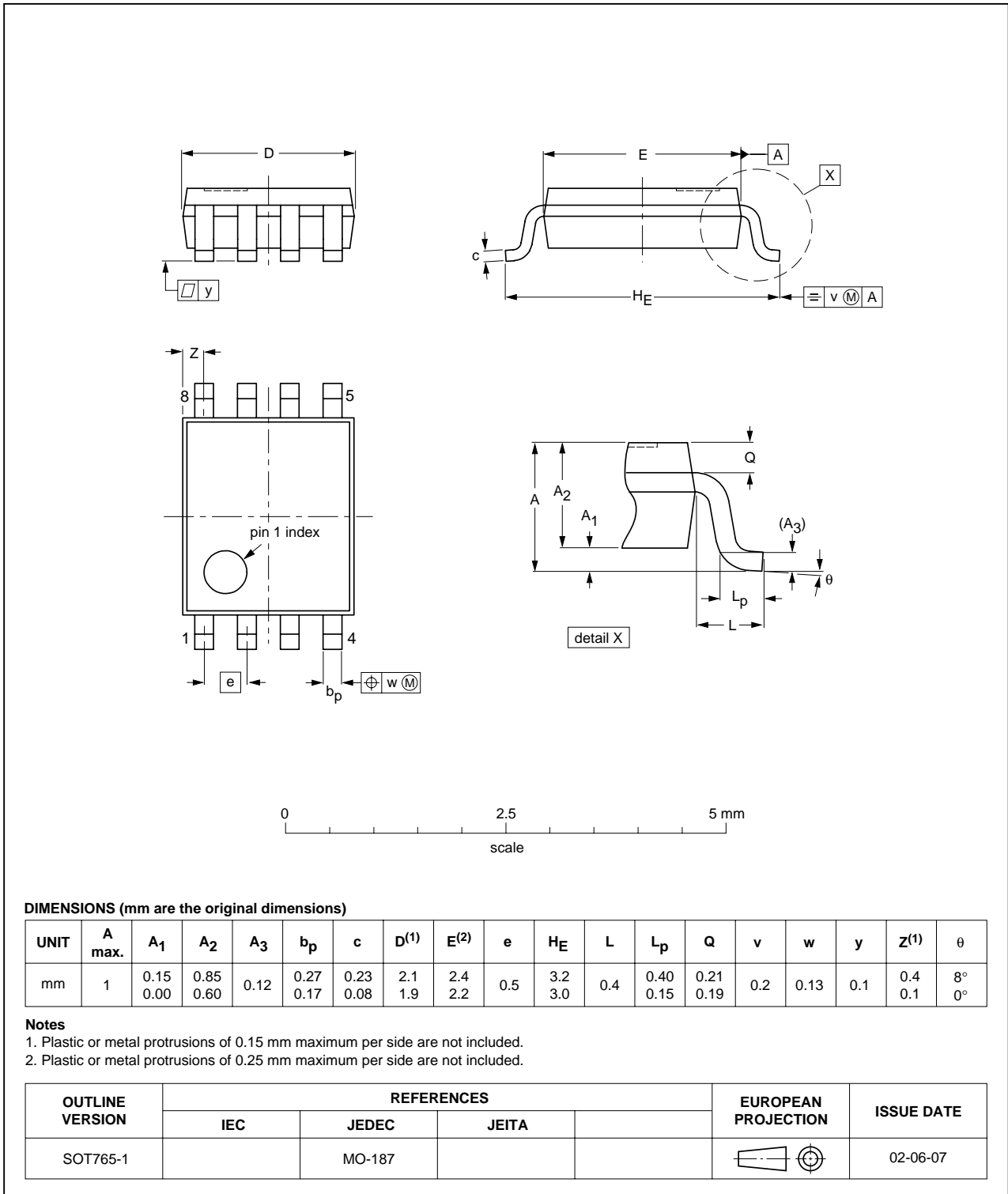


Fig 21. Package outline VSSOP8.



17. Revision history

Table 15: Revision history

Document ID	Release date	Data sheet status	Change notice	Order number	Supersedes
74LVCV2G66_1	20040402	Product data sheet	-	9397 750 13027	-

18. Data sheet status

Level	Data sheet status ^[1]	Product status ^[2] ^[3]	Definition
I	Objective data	Development	This data sheet contains data from the objective specification for product development. Philips Semiconductors reserves the right to change the specification in any manner without notice.
II	Preliminary data	Qualification	This data sheet contains data from the preliminary specification. Supplementary data will be published at a later date. Philips Semiconductors reserves the right to change the specification without notice, in order to improve the design and supply the best possible product.
III	Product data	Production	This data sheet contains data from the product specification. Philips Semiconductors reserves the right to make changes at any time in order to improve the design, manufacturing and supply. Relevant changes will be communicated via a Customer Product/Process Change Notification (CPCN).

[1] Please consult the most recently issued data sheet before initiating or completing a design.

[2] The product status of the device(s) described in this data sheet may have changed since this data sheet was published. The latest information is available on the Internet at URL <http://www.semiconductors.philips.com>.

[3] For data sheets describing multiple type numbers, the highest-level product status determines the data sheet status.

19. Definitions

Short-form specification — The data in a short-form specification is extracted from a full data sheet with the same type number and title. For detailed information see the relevant data sheet or data handbook.

Limiting values definition — Limiting values given are in accordance with the Absolute Maximum Rating System (IEC 60134). Stress above one or more of the limiting values may cause permanent damage to the device. These are stress ratings only and operation of the device at these or at any other conditions above those given in the Characteristics sections of the specification is not implied. Exposure to limiting values for extended periods may affect device reliability.

Application information — Applications that are described herein for any of these products are for illustrative purposes only. Philips Semiconductors make no representation or warranty that such applications will be suitable for the specified use without further testing or modification.

20. Disclaimers

Life support — These products are not designed for use in life support appliances, devices, or systems where malfunction of these products can reasonably be expected to result in personal injury. Philips Semiconductors customers using or selling these products for use in such applications do so at their own risk and agree to fully indemnify Philips Semiconductors for any damages resulting from such application.

Right to make changes — Philips Semiconductors reserves the right to make changes in the products - including circuits, standard cells, and/or software - described or contained herein in order to improve design and/or performance. When the product is in full production (status 'Production'), relevant changes will be communicated via a Customer Product/Process Change Notification (CPCN). Philips Semiconductors assumes no responsibility or liability for the use of any of these products, conveys no license or title under any patent, copyright, or mask work right to these products, and makes no representations or warranties that these products are free from patent, copyright, or mask work right infringement, unless otherwise specified.

21. Contact information

For additional information, please visit: <http://www.semiconductors.philips.com>

For sales office addresses, send an email to: sales.addresses@www.semiconductors.philips.com

22. Contents

1	General description	1
2	Features	1
3	Quick reference data	1
4	Ordering information	2
5	Marking	2
6	Functional diagram	3
7	Pinning information	3
7.1	Pinning	3
7.2	Pin description	3
8	Functional description	4
8.1	Function table	4
9	Limiting values	4
10	Recommended operating conditions	5
11	Static characteristics	5
12	Dynamic characteristics	10
13	Waveforms	11
14	Additional dynamic characteristics	14
15	Application information	18
16	Package outline	19
17	Revision history	21
18	Data sheet status	22
19	Definitions	22
20	Disclaimers	22
21	Contact information	22



© Koninklijke Philips Electronics N.V. 2004

All rights are reserved. Reproduction in whole or in part is prohibited without the prior written consent of the copyright owner. The information presented in this document does not form part of any quotation or contract, is believed to be accurate and reliable and may be changed without notice. No liability will be accepted by the publisher for any consequence of its use. Publication thereof does not convey nor imply any license under patent- or other industrial or intellectual property rights.

Date of release: 2 April 2004
Document order number: 9397 750 13027

Published in The Netherlands