

---

# HD74CBT3257

4-bit 1-of-2 FET Multiplexer / Demultiplexer

# HITACHI

ADE-205-624B (Z)

Rev. 2  
Nov. 2001

---

## Description

The HD74CBT3257 is a 4-bit 1-of-2 high-speed TTL-compatible FET multiplexer / demultiplexer. The low on-state resistance of the switch allows connections to be made with minimal propagation delay.

Output enable ( $\overline{OE}$ ) and select control (S) inputs select the appropriate B1 and B2 outputs for the A-input data.

## Features

- Minimal propagation delay through the switch.
- 5  $\Omega$  switch connection between two ports.
- TTL-compatible input levels.
- Ultra low quiescent power.  
-Ideally suited for notebook applications.
- Package type  
Product code example: HD74CBT3257TELL

Package type	Package code	Package suffix	Taping code
TSSOP-16pin	TTP-16DA	T	ELL(2000pcs / Reel)

- Notes: 1. As for the Pb-free package is attached the "V" to the end of package code.  
2. As for the Pb-free product is attached the "-E" to the end of product code.



---

# HD74CBT3257

---

## Function Table

### Inputs

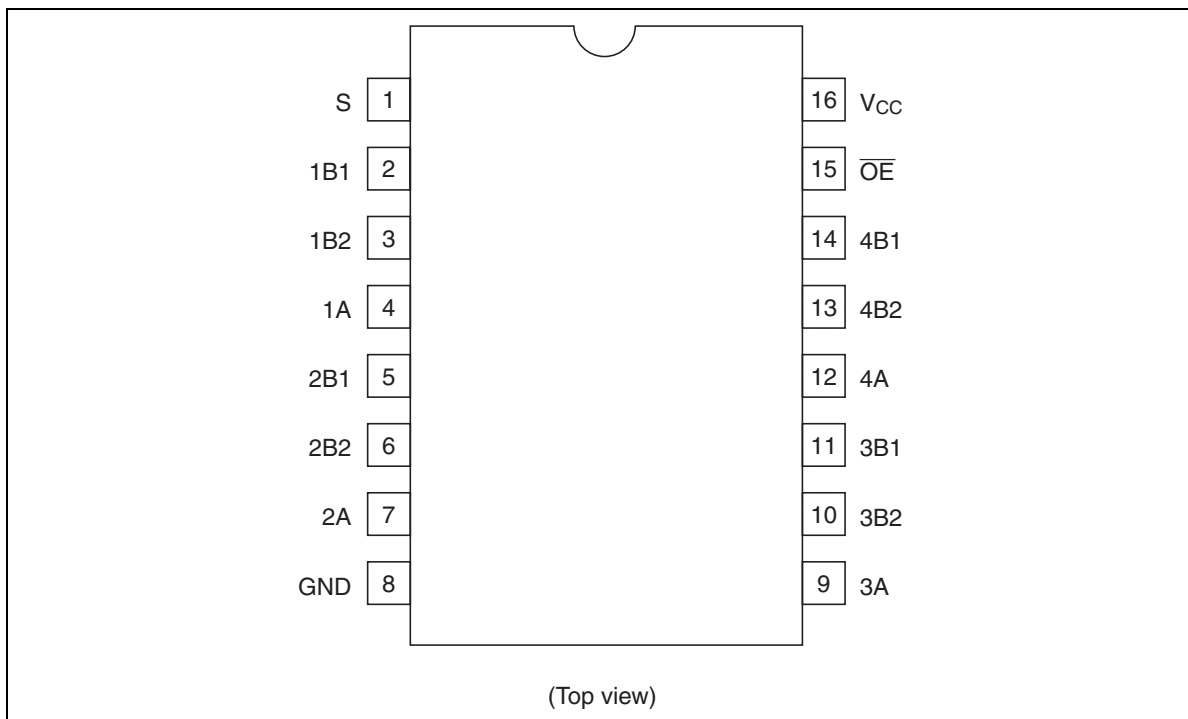
$\overline{OE}$	S	Function
L	L	A port = B1 port
L	H	A port = B2 port
H	X	Disconnect

H: High level

L: Low level

X: Immaterial

## Pin Arrangement



### Absolute Maximum Ratings

Item	Symbol	Ratings	Unit	Conditions
Supply voltage range	$V_{CC}$	-0.5 to 7.0	V	
Input voltage range <sup>1</sup>	$V_I$	-0.5 to 7.0	V	
Input clamp current	$I_{IK}$	-50	mA	$V_I < 0$
Continuous output current	$I_O$	128	mA	$V_O = 0$ to $V_{CC}$
Continuous current through $V_{CC}$ or GND	$I_{CC}$ or $I_{GND}$	±100	mA	
Maximum power dissipation at $T_a = 25^\circ\text{C}$ (in still air) <sup>2</sup>	$P_T$	500	mW	TSSOP
Storage temperature	$T_{stg}$	-65 to 150	°C	

Notes: The absolute maximum ratings are values which must not individually be exceeded, and furthermore, no two of which may be realized at the same time.

1. The input and output voltage ratings may be exceeded even if the input and output clamp-current ratings are observed.
2. The maximum package power dissipation was calculated using a junction temperature of 150°C.

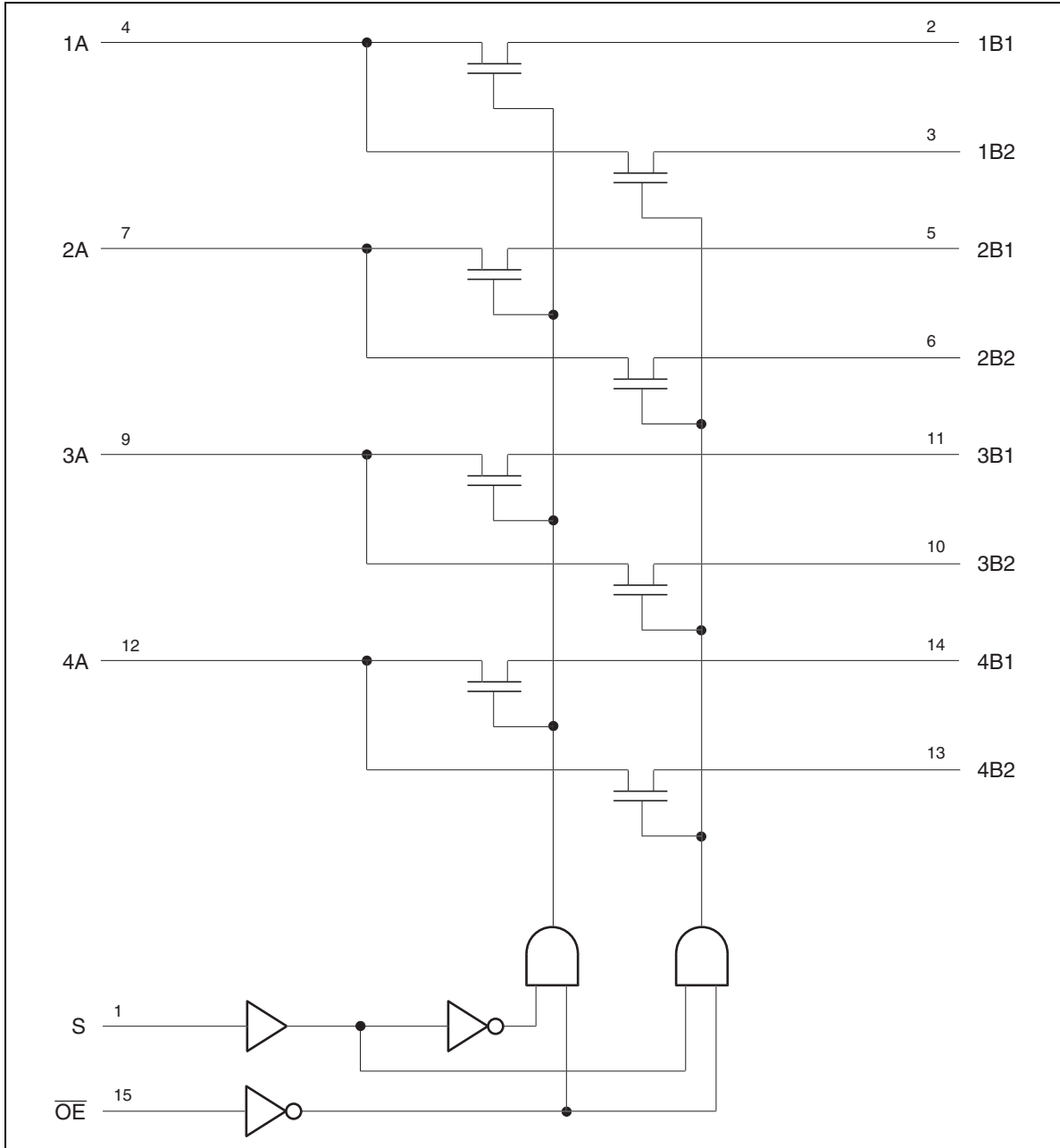
### Recommended Operating Conditions

Item	Symbol	Min	Max	Unit	Conditions
Supply voltage range	$V_{CC}$	4.0	5.5	V	
Input voltage range	$V_I$	0	5.5	V	
Output voltage range	$V_{IO}$	0	5.5	V	
Input transition rise or fall rate	$\Delta t / \Delta v$	0	5	ns / V	$V_{CC} = 4.5$ to $5.5$ V
Operating free-air temperature	$T_a$	-40	85	°C	

Note: Unused or floating inputs must be held high or low.

# HD74CBT3257

## Block Diagram



**DC Electrical Characteristics**

(Ta = -40 to 85°C)

Item	Symbol	V <sub>CC</sub> (V)	Min	Typ <sup>1</sup>	Max	Unit	Test conditions
Clamp diode voltage	V <sub>IK</sub>	4.5	—	—	-1.2	V	I <sub>IN</sub> = -18 mA
Input voltage	V <sub>IH</sub>	4.0 to 5.5	2.0	—	—	V	
	V <sub>IL</sub>	4.0 to 5.5	—	—	0.8		
On-state switch resistance <sup>2</sup>	R <sub>ON</sub>	4.0	—	14	20	Ω	V <sub>IN</sub> = 2.4 V, I <sub>IN</sub> = 15 mA Typ at V <sub>CC</sub> = 4.0 V
		4.5	—	5	7		V <sub>IN</sub> = 0 V, I <sub>IN</sub> = 64 mA
		4.5	—	5	7		V <sub>IN</sub> = 0 V, I <sub>IN</sub> = 30 mA
		4.5	—	10	15		V <sub>IN</sub> = 2.4 V, I <sub>IN</sub> = 15 mA
Input current	I <sub>IN</sub>	0 to 5.5	—	—	±1.0	μA	V <sub>IN</sub> = 5.5 V or GND
Off-state leakage current	I <sub>OZ</sub>	5.5	—	—	±1.0	μA	0 ≤ A, B ≤ V <sub>CC</sub>
Quiescent supply current	I <sub>CC</sub>	5.5	—	—	3	μA	V <sub>IN</sub> = V <sub>CC</sub> or GND, I <sub>O</sub> = 0 mA
Increase in I <sub>CC</sub> per input <sup>3</sup>	ΔI <sub>CC</sub>	5.5	—	—	2.5	mA	One input at 3.4 V, other inputs at V <sub>CC</sub> or GND

Notes: For condition shown as Min or Max use the appropriate values under recommended operating conditions.

1. All typical values are at V<sub>CC</sub> = 5 V (unless otherwise noted), Ta = 25°C.
2. Measured by the voltage drop between the A and B terminals at the indicated current through the switch. On-state resistance is determined by the lower voltage of the two (A or B) terminals.
3. This is the increase in supply current for each input that is at the specified TTL voltage level rather than V<sub>CC</sub> or GND.

**Capacitance**

(Ta = 25°C)

Item	Symbol	V <sub>CC</sub> (V)	Min	Typ	Max	Unit	Test conditions
Control input capacitance	C <sub>IN</sub>	5.0	—	3.5	—	pF	V <sub>IN</sub> = 0 or 3 V
Input / output capacitance	A port	C <sub>I/O (OFF)</sub>	5.0	—	9	pF	V <sub>O</sub> = 0 or 3 V
	B port		5.0	—	5		$\overline{OE} = V_{CC}$

Note: This parameter is determined by device characterization is not production tested.

# HD74CBT3257

## Switching Characteristics

( $T_a = -40$  to  $85^\circ\text{C}$ )

- $V_{CC} = 4.0\text{ V}$

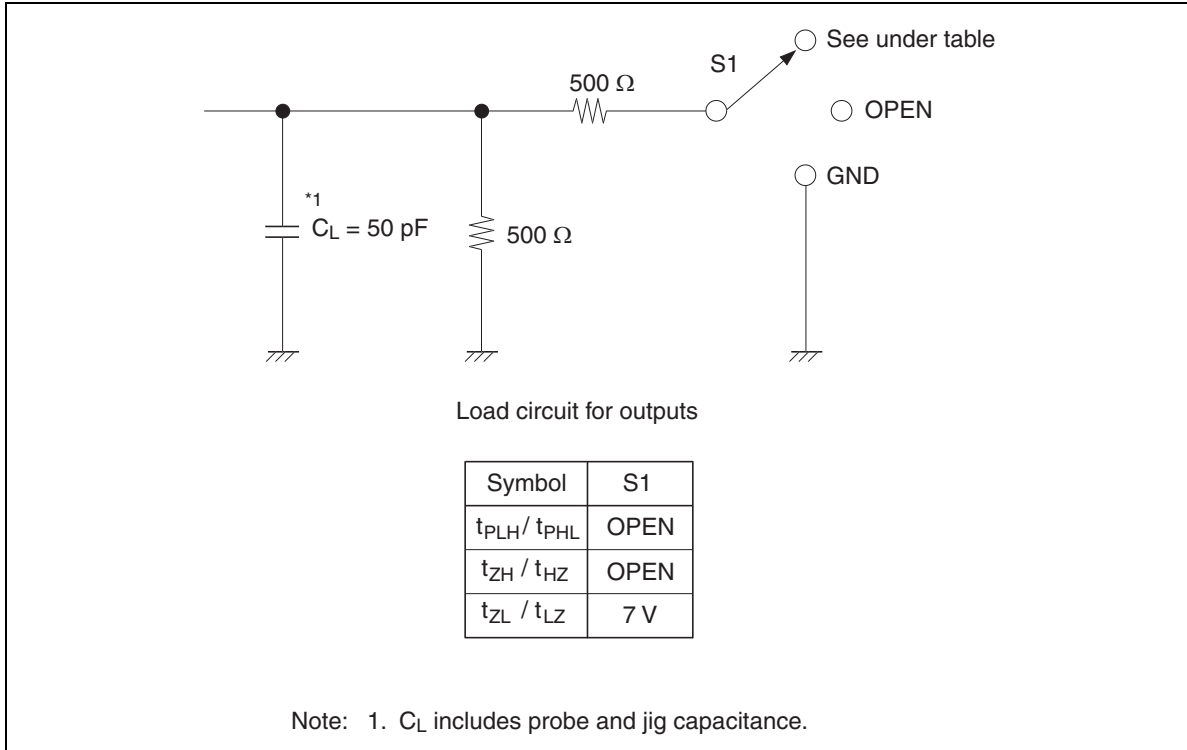
Item	Symbol	Min	Max	Unit	Test conditions	FROM (Input)	TO (Output)
Propagation delay time <sup>1</sup>	$t_{PLH}$ $t_{PHL}$	—	0.35	ns	$C_L = 50\text{ pF}$ $R_L = 500\ \Omega$	A or B	B or A
Propagation delay time	$t_{PLH}$ $t_{PHL}$	—	5.5	ns	$C_L = 50\text{ pF}$ $R_L = 500\ \Omega$	S	A
Enable time	$t_{ZH}$	—	5.7	ns	$C_L = 50\text{ pF}$ $R_L = 500\ \Omega$	S	B
	$t_{ZL}$	—	5.6			$\overline{\text{OE}}$	A or B
Disable time	$t_{HZ}$	—	5.2	ns	$C_L = 50\text{ pF}$ $R_L = 500\ \Omega$	S	B
		—	5.5			$\overline{\text{OE}}$	A or B
	$t_{LZ}$	—	5.2			S	B
		—	6.4			$\overline{\text{OE}}$	A or B

- $V_{CC} = 5.0 \pm 0.5\text{ V}$

Item	Symbol	Min	Max	Unit	Test conditions	FROM (Input)	TO (Output)
Propagation delay time <sup>1</sup>	$t_{PLH}$ $t_{PHL}$	—	0.25	ns	$C_L = 50\text{ pF}$ $R_L = 500\ \Omega$	A or B	B or A
Propagation delay time	$t_{PLH}$ $t_{PHL}$	1.6	5.0	ns	$C_L = 50\text{ pF}$ $R_L = 500\ \Omega$	S	A
Enable time	$t_{ZH}$	1.6	5.2	ns	$C_L = 50\text{ pF}$ $R_L = 500\ \Omega$	S	B
	$t_{ZL}$	1.8	5.1			$\overline{\text{OE}}$	A or B
Disable time	$t_{HZ}$	1.0	5.0	ns	$C_L = 50\text{ pF}$ $R_L = 500\ \Omega$	S	B
		2.2	5.5			$\overline{\text{OE}}$	A or B
	$t_{LZ}$	1.0	5.0			S	B
		2.2	6.8			$\overline{\text{OE}}$	A or B

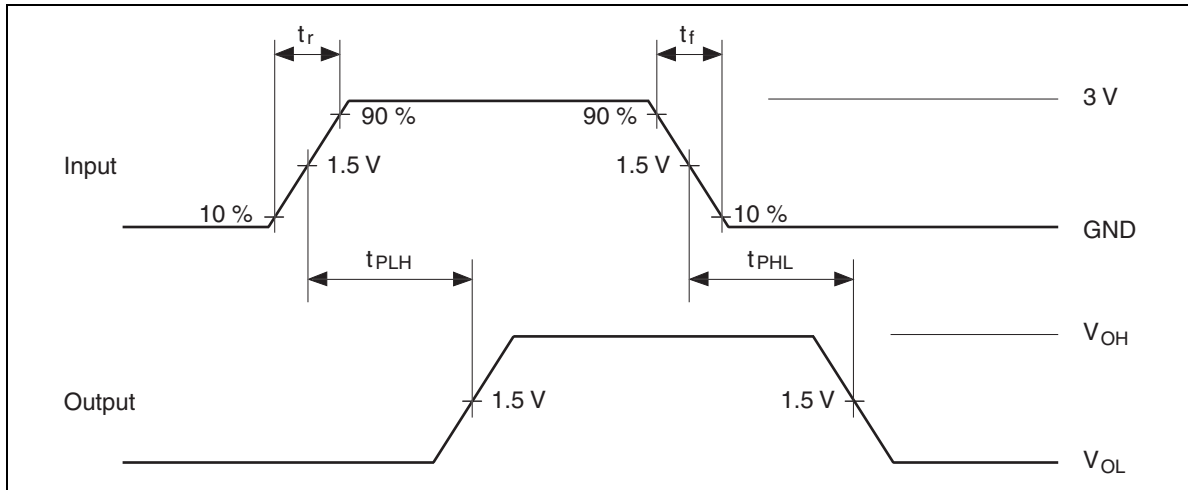
Note: 1. The propagation delay is the calculated RC time constant of the typical on-state resistance of the switch and the specified load capacitance, when driven by an ideal voltage source (zero output impedance).

Test Circuit

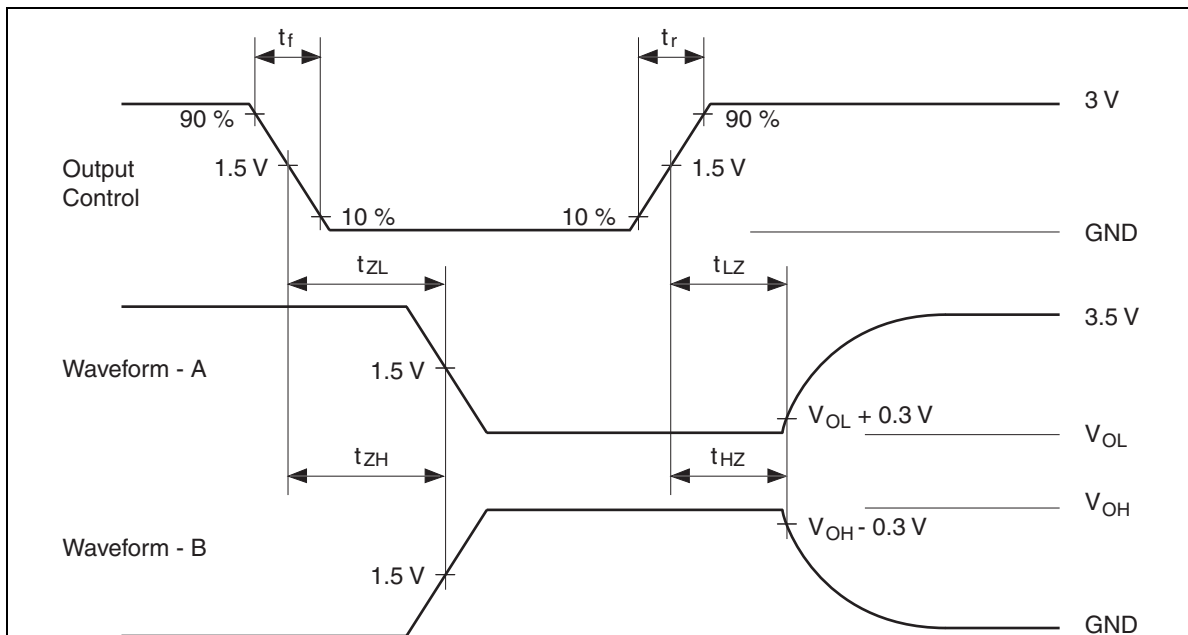


# HD74CBT3257

## Waveforms – 1



## Waveforms – 2

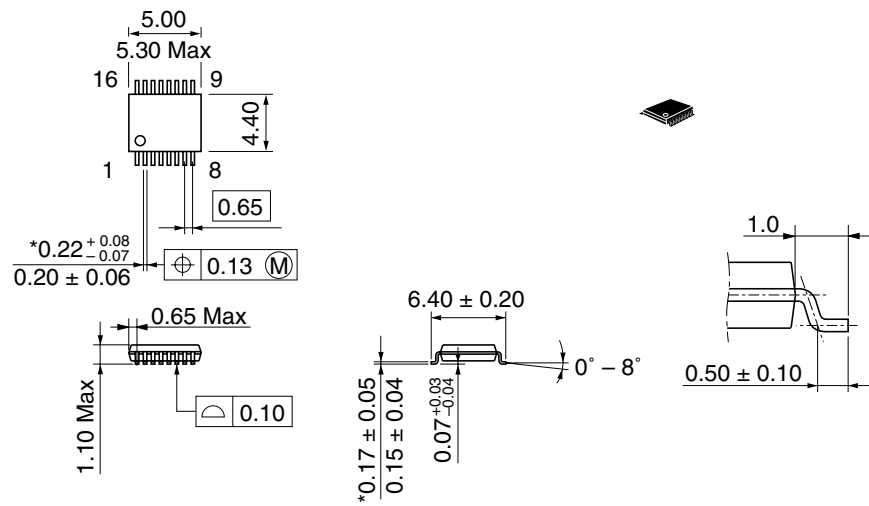


- Notes:
1. All input pulses are supplied by generators having the following characteristics :  
 $PRR \leq 10$  MHz,  $Z_O = 50 \Omega$ ,  $t_r \leq 2.5$  ns,  $t_f \leq 2.5$  ns.
  2. Waveform - A is for an output with internal conditions such that the output is low except when disabled by the output control.
  3. Waveform - B is for an output with internal conditions such that the output is high except when disabled by the output control.
  4. The output are measured one at a time with one transition per measurement.



Package Dimensions

As of July, 2001  
Unit: mm

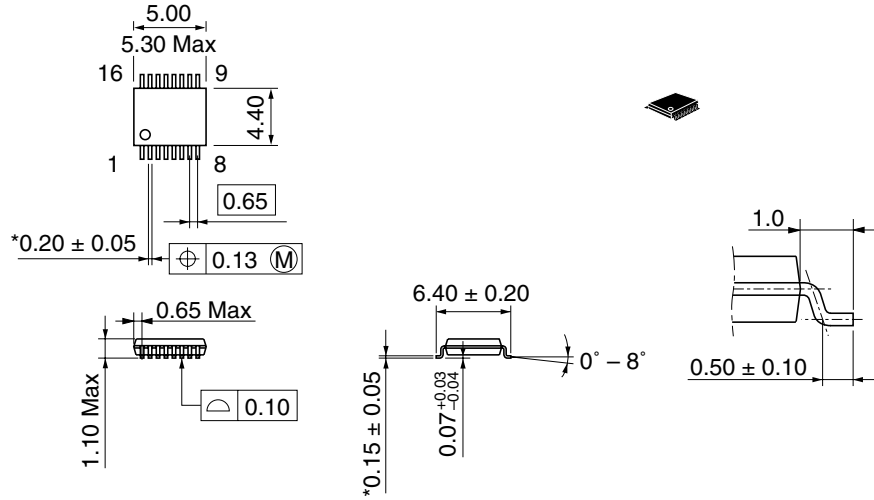


\*Dimension including the plating thickness  
Base material dimension

Hitachi Code	TTP-16DA
JEDEC	—
JEITA	—
Mass (reference value)	0.05 g

# HD74CBT3257

As of July, 2001  
Unit: mm



\*Pd plating

Hitachi Code	TTP-16DAV
JEDEC	—
JEITA	—
Mass (reference value)	0.05 g

**Disclaimer**

1. Hitachi neither warrants nor grants licenses of any rights of Hitachi's or any third party's patent, copyright, trademark, or other intellectual property rights for information contained in this document. Hitachi bears no responsibility for problems that may arise with third party's rights, including intellectual property rights, in connection with use of the information contained in this document.
2. Products and product specifications may be subject to change without notice. Confirm that you have received the latest product standards or specifications before final design, purchase or use.
3. Hitachi makes every attempt to ensure that its products are of high quality and reliability. However, contact Hitachi's sales office before using the product in an application that demands especially high quality and reliability or where its failure or malfunction may directly threaten human life or cause risk of bodily injury, such as aerospace, aeronautics, nuclear power, combustion control, transportation, traffic, safety equipment or medical equipment for life support.
4. Design your application so that the product is used within the ranges guaranteed by Hitachi particularly for maximum rating, operating supply voltage range, heat radiation characteristics, installation conditions and other characteristics. Hitachi bears no responsibility for failure or damage when used beyond the guaranteed ranges. Even within the guaranteed ranges, consider normally foreseeable failure rates or failure modes in semiconductor devices and employ systemic measures such as fail-safes, so that the equipment incorporating Hitachi product does not cause bodily injury, fire or other consequential damage due to operation of the Hitachi product.
5. This product is not designed to be radiation resistant.
6. No one is permitted to reproduce or duplicate, in any form, the whole or part of this document without written approval from Hitachi.
7. Contact Hitachi's sales office for any questions regarding this document or Hitachi semiconductor products.

**Sales Offices**

---



---

# HITACHI

**Hitachi, Ltd.**

Semiconductor & Integrated Circuits  
 Nippon Bldg., 2-6-2, Ohte-machi, Chiyoda-ku, Tokyo 100-0004, Japan  
 Tel: (03) 3270-2111 Fax: (03) 3270-5109

URL <http://www.hitachisemiconductor.com/>

**For further information write to:**

Hitachi Semiconductor  
 (America) Inc.  
 179 East Tasman Drive  
 San Jose, CA 95134  
 Tel: <1> (408) 433-1990  
 Fax: <1> (408) 433-0223

Hitachi Europe Ltd.  
 Electronic Components Group  
 Whitebrook Park  
 Lower Cookham Road  
 Maidenhead  
 Berkshire SL6 8YA, United Kingdom  
 Tel: <44> (1628) 585000  
 Fax: <44> (1628) 585200

Hitachi Europe GmbH  
 Electronic Components Group  
 Dornacher Straße 3  
 D-85622 Feldkirchen  
 Postfach 201, D-85619 Feldkirchen  
 Germany  
 Tel: <49> (89) 9 9180-0  
 Fax: <49> (89) 9 29 30 00

Hitachi Asia Ltd.  
 Hitachi Tower  
 16 Collyer Quay #20-00  
 Singapore 049318  
 Tel: <65>-538-6533/538-8577  
 Fax: <65>-538-6933/538-3877  
 URL: <http://semiconductor.hitachi.com.sg>

Hitachi Asia Ltd.  
 (Taipei Branch Office)  
 4/F, No. 167, Tun Hwa North Road  
 Hung-Kuo Building  
 Taipei (105), Taiwan  
 Tel: <886>-(2)-2718-3666  
 Fax: <886>-(2)-2718-8180  
 Telex: 23222 HAS-TP  
 URL: <http://www.hitachi.com.tw>

Hitachi Asia (Hong Kong) Ltd.  
 Group III (Electronic Components)  
 7/F., North Tower  
 World Finance Centre,  
 Harbour City, Canton Road  
 Tsim Sha Tsui, Kowloon Hong Kong  
 Tel: <852>-(2)-735-9218  
 Fax: <852>-(2)-730-0281  
 URL: <http://semiconductor.hitachi.com.hk>

Copyright © Hitachi, Ltd., 2001. All rights reserved. Printed in Japan.  
 Colophon 5.0