

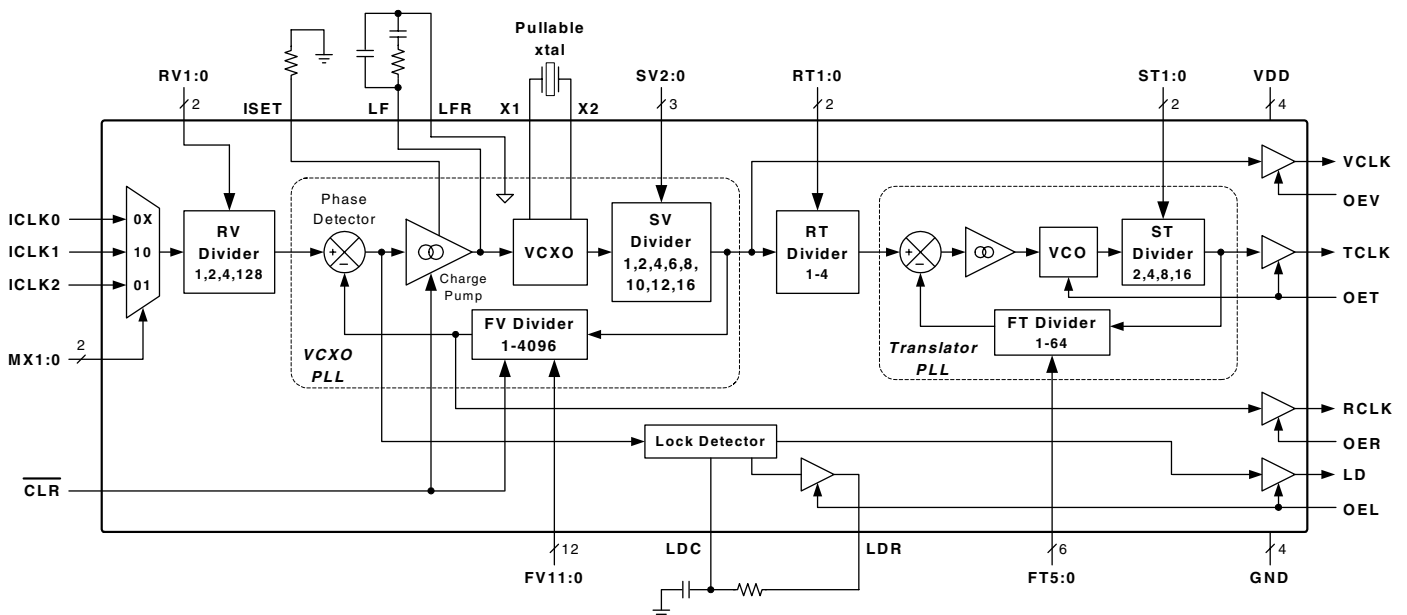
**VCXO-BASED LINE CARD CLOCK SYNCHRONIZER**
**MK2069-01**
**Description**

The MK2069-01 is a VCXO (Voltage Controlled Crystal Oscillator) based clock generator that offers system synchronization, jitter attenuation, and frequency multiplication or translation. It can accept an unstable, jittery input clock and provide a de-jittered, low phase noise output clock at a user determined frequency. The device's clock multiplication ratios are user selectable since all major PLL divider blocks can be configured through device pin settings. External PLL loop filter components allow tailoring of the VCXO PLL loop response and therefore the clock jitter attenuation characteristics.

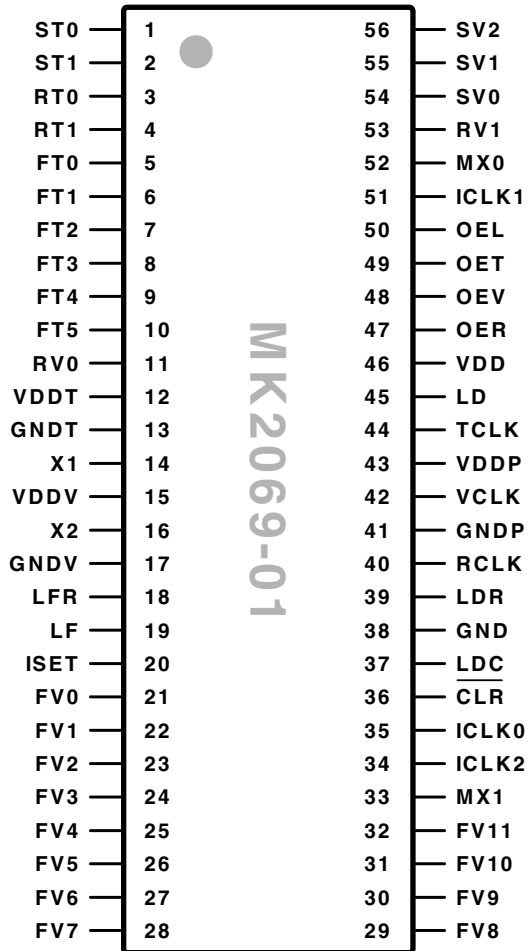
The MK2069-01 is ideal for line card applications. Its three input MUX enables selection of the master or slave (backup) system clocks, as well as a backup local line card clock. The lock detector (LD) output serves as a clock status monitor. The clear ( $\overline{\text{CLR}}$ ) input enables rapid synchronization to the phase of a newly selected input clock, while eliminating the generation of extra clock cycles and wander caused by memory in the PLL feedback divider.  $\overline{\text{CLR}}$  also serves as a temporary holdover function when kept low.

**Features**

- Input clock frequency of 1 kHz to 170 MHz
- Output clock frequency of 500 kHz to 160 MHz
- Jitter attenuation of input clock provided by VCXO circuit. Jitter transfer characteristics user configured through selection of external loop filter components.
- 3:1 Input MUX for input reference clocks
- PLL lock status output
- PLL Clear function allows seamless synchronizing to an altered input clock phase, virtually eliminating the generation of wander or extra clock cycles.
- VCXO-based clock generation offers very low jitter and phase noise generation, even with a low frequency or jittery input clock.
- 2nd PLL provides translation of VCXO PLL output (VCLK) to higher or alternate clock frequencies (TCLK).
- Device will free-run in the absence of an input clock based on the VCXO crystal frequency.
- 56 pin TSSOP package
- Single 3.3 V power supply
- 5 V tolerant inputs on ICLK0 and ICLK1

**Block Diagram**


## Pin Assignment



## Input Selection Tables

### Input Mux Selection Table

MX1	MX0	Input Selection
0	0	ICLK0
0	1	ICLK0
1	0	ICLK1
1	1	ICLK2

### VCXO PLL Reference Divider Selection Table

RV1	RV0	RV Divider Ratio
0	0	4
0	1	128
1	0	2
1	1	1

## VCXO PLL Feedback Divider Selection

FV11:0	FV Divider Ratio	Notes
0...00	2	For FV addresses 0 to 4094, FV Divide = Address + 2
0...01	3	
:	:	
1...10	4096	
1...11	1	

## VCXO PLL Scaling Divider Selection Table

SV2	SV1	SV0	SV Divider Ratio
0	0	0	4
0	0	1	6
0	1	0	8
0	1	1	10
1	0	0	12
1	0	1	2
1	1	0	16
1	1	1	1

## Translator PLL Reference Divider Selection Table

RT1	RT0	RT Divider Ratio
0	0	2
0	1	3
1	0	4
1	1	1

## Translator PLL Feedback Divider Selection

FT5:0	FT Divider Ratio	Notes
000000	2	For FT addresses 0 to 62, FT Divide = Address + 2
000001	3	
:	:	
111110	64	
111111	1	

## Translator PLL Scaling Divider Selection Table

ST1	ST0	ST Divider Ratio
0	0	2
0	1	4
1	0	8
1	1	16

## Pin Descriptions

Pin Number	Pin Name	Pin Type	Pin Description
1	ST0	Input	Scaling Divider bit 0 input, Translator PLL (internal pull-up).
2	ST1	Input	Scaling Divider bit 1 input, Translator PLL (internal pull-up).
3	RT0	Input	Reference Divider bit 0 input, Translator PLL (internal pull-up).
4	RT1	Input	Reference Divider bit 1 input, Translator PLL (internal pull-up).
5	FT0	Input	Feedback Divider bit 0 input, Translator PLL (internal pull-up).
6	FT1	Input	Feedback Divider bit 1 input, Translator PLL (internal pull-up).
7	FT2	Input	Feedback Divider bit 2 input, Translator PLL (internal pull-up).
8	FT3	Input	Feedback Divider bit 3 input, Translator PLL (internal pull-up).
9	FT4	Input	Feedback Divider bit 4 input, Translator PLL (internal pull-up).
10	FT5	Input	Feedback Divider bit 5 input, Translator PLL (internal pull-up).
11	RV0	Input	Reference Divider bit 0 input, VCXO PLL (internal pull-up).
12	VDDT	Power	Power Supply connection for translator PLL.
13	GNDT	Ground	Ground connection for translator PLL.
14	X1	-	Crystal oscillator input. Connect this pin to the external reference crystal.
15	VDDV	Power	Power Supply connection for VCXO PLL.
16	X2	-	Crystal oscillator output. Connect this pin to the external reference crystal.
17	GNDV	Ground	Ground connection for VCXO PLL.
18	LFR	-	Loop filter connection, reference node. Refer to loop filter circuit on page 6.
19	LF	-	Loop filter connection, active node. Refer to loop filter circuit on page 6.
20	ISSET	-	Charge pump current setting input. Refer to loop filter circuit on page 6.
21	FV0	Input	Feedback Divider bit 0 input, VCXO PLL (internal pull-up).
22	FV1	Input	Feedback Divider bit 1 input, VCXO PLL (internal pull-up).
23	FV2	Input	Feedback Divider bit 2 input, VCXO PLL (internal pull-up).
24	FV3	Input	Feedback Divider bit 3 input, VCXO PLL (internal pull-up).
25	FV4	Input	Feedback Divider bit 4 input, VCXO PLL (internal pull-up).
26	FV5	Input	Feedback Divider bit 5 input, VCXO PLL (internal pull-up).
27	FV6	Input	Feedback Divider bit 6 input, VCXO PLL (internal pull-up).
28	FV7	Input	Feedback Divider bit 7 input, VCXO PLL (internal pull-up).
29	FV8	Input	Feedback Divider bit 8 input, VCXO PLL (internal pull-up).
30	FV9	Input	Feedback Divider bit 9 input, VCXO PLL (internal pull-up).
31	FV10	Input	Feedback Divider bit 10 input, VCXO PLL (internal pull-up).
32	FV11	Input	Feedback Divider bit 11 input, VCXO PLL (internal pull-up).
33	MX1	Input	Input MUX selection bit 1 (internal pull-up).
34	ICLK2	Input	Reference clock input 2.
35	ICLK0	Input	Reference clock input 0. 5V tolerant input.
36	CLR	Input	Clear input, clears VCXO PLL dividers when low (internal pull-up).
37	LDC	-	Lock detector threshold setting circuit connection. Refer to circuit on page 10.
38	GND	Ground	Digital ground connection.
39	LDR	-	Lock detector threshold setting circuit connection. Refer to circuit on page 10.
40	RCLK	Output	VCXO PLL phase detector Reference Clock output.
41	GNDP	Ground	Ground connection for output drivers (VCLK, TCLK, RCLK, LD, LDR).

Pin Number	Pin Name	Pin Type	Pin Description
42	VCLK	Output	Clock output from VCXO PLL
43	VDDP	Power	Power Supply connection for output drivers (VCLK, TCLK, RCLK, LD, LDR).
44	TCLK	Output	Clock output from Translator PLL
45	LD	Output	Lock detector output.
46	VDD	Power	Power Supply connection for digital circuitry.
47	OER	Input	Output enable for RCLK. RCLK is tri-stated when low (internal pull-up).
48	OEV	Input	Output enable for VCLK. VCLK is tri-stated when low (internal pull-up).
49	OET	Input	Output enable for TCLK. TCLK is tri-stated and the translator PLL is disabled when low (internal pull-up).
50	OEL	Input	Output enable for LD and LDR. Both are tri-stated when low (internal pull-up).
51	ICLK1	Input	Reference clock input 1. 5V tolerant input.
52	MX0	Input	Input MUX selection bit 0 input (internal pull-up).
53	RV1	Input	Reference Divider bit 1 input, VCXO PLL (internal pull-up).
54	SV0	Input	Scaler Divider bit 0 input, VCXO PLL (internal pull-up).
55	SV1	Input	Scaler Divider bit 1 input, VCXO PLL (internal pull-up).
56	SV2	Input	Scaler Divider bit 2 input, VCXO PLL (internal pull-up).

## Functional Description

The MK2069-01 is a PLL (phase locked loop) based clock generator that generates output clocks synchronized to an input reference clock. It contains two cascaded PLL's with user selectable divider ratios.

The first PLL is VCXO-based and uses an external pullable crystal as part of the normal "VCO" (voltage controlled oscillator) function of the PLL. The use of a VCXO assures a low phase noise clock source even when a low PLL loop bandwidth is implemented. A low loop bandwidth is needed when the input reference frequency is low, or when jitter attenuation of the input reference is desired.

The second PLL is used to translate or multiply the frequency of the VCXO PLL which has a maximum output frequency of 27 MHz. This second PLL, or Translator PLL, uses an on-chip VCO circuit that can provide an output clock up to 160 MHz. The Translator PLL uses a high loop bandwidth (typically greater than 1 MHz) to assure stability of the VCO clock output. It requires a stable, high frequency input reference which is provided by the VCXO PLL.

The divide values of the divider blocks within both PLLs are set by device pin configuration. This enables the system designer to define the following:

- Input clock frequency
- VCXO crystal frequency
- VCLK output frequency
- RCLK output frequency, which is also the phase detector frequency of the VCXO PLL.
- TCLK output frequency

Any unused clock or logic outputs can be tri-stated to reduce interference (jitter, phase noise) on other clock outputs. Outputs can also be tri-stated for system testing purposes.

External components are used to configure the VCXO PLL loop response. This serves to maximize loop stability and to achieve the desired input clock jitter attenuation characteristics.

## Application Information

The MK2069-01 is a mixed analog / digital integrated circuit that is sensitive to PCB (printed circuit board) layout and external component selection. Used properly, the device will provide the same high performance expected from a canned VCXO-based hybrid timing device, but at a lower cost. To help avoid unexpected problems, the guidance provided in the sections below should be followed.

device is to remain frequency locked to the input, which is required for normal operation.

### Setting VCLK Output Frequency

The frequency of the VCLK output is determined by the following relationship:

$$f(\text{VCLK}) = \frac{\text{FV Divider}}{\text{RV Divider}} \times f(\text{ICLK})$$

Where:

FV Divider = 1 to 4096

RV Divider = 1,2,4 or 128

The operational frequency range of VCLK is set by the allowable frequency range of the external VCXO crystal and by the internal VCXO divider selections:

$$f(\text{VCLK}) = \frac{f(\text{VCXO})}{\text{SV Divider}}$$

Where:

F(VCXO) = F(External Crystal) = 8 to 27 MHz

SV Divider = 1,2,4,6,8,10,12 or 16

A higher crystal frequency will generally produce lower phase noise and therefore is preferred. A crystal frequency between 13.5 MHz and 27 MHz is recommended.

Because VCLK is generated by the external crystal, the frequency range of VCLK in a given configuration is limited to the pullable range of the crystal. This is guaranteed to be +/-115 ppm minimum. This frequency range in ppm also applies to the input clock and other clock outputs if the

## Setting TCLK Output Frequency

The clock frequency of TCLK is determined by:

$$f(\text{TCLK}) = \frac{\text{FT Divider}}{\text{RT Divider}} \times f(\text{VCLK})$$

Where:

FT Divider = 1 to 64

RT Divider = 1 to 4

The frequency range of TCLK is set by the operational range of the internal VCO circuit and the output divider selections:

$$f(\text{TCLK}) = \frac{f(\text{VCO})}{\text{ST Divider}}$$

Where:

f(VCO) = 40 to 320 MHz

ST Divider = 2,4,8 or 16

A higher VCO frequency will generally produce lower phase noise and therefore is preferred.

## MK2069-01 Loop Response and Jitter Attenuation Characteristics

The MK2069-01 will reduce the transfer of phase jitter existing on the input reference clock to the output clock. This operation is known as jitter attenuation. The low-pass frequency response of the VCXO PLL loop is the mechanism that provides input jitter attenuation. Clock jitter, more accurately called phase jitter, is the overall instability of the clock period which can be measured in the time domain using an oscilloscope, for instance. Jitter is comprised of phase noise which can be represented in the frequency domain. The phase noise of the input reference clock is attenuated according to the VCXO PLL low-pass frequency response curve. The response curve, and thus the jitter attenuation characteristics, can be established through the selection of external MK2069-01 passive components and other device setting as explained in the following section.

## Setting the VCXO PLL Loop Response.

The VCXO PLL loop response is determined both by fixed device characteristics and by other characterizes set by the user. This includes the values of  $R_S$ ,  $C_S$ ,  $C_P$  and  $R_{SET}$  as shown in the External VCXO PLL Components figure on this page.

The VCXO PLL loop bandwidth is approximated by:

$$\text{NBW(VCXO PLL)} = \frac{R_S \times I_{CP} \times K_O}{2\pi \times \text{SV Divider} \times \text{FV Divider}}$$

Where:

$R_S$  = Value of resistor  $R_S$  in loop filter in Ohms

$I_{CP}$  = Charge pump current in amps  
(see table on page 7)

$K_O$  = VCXO Gain in Hz/V  
(see table on page 8)

SV Divider = 1,2,4,6,8,10,12 or 16

FV Divider = 1 to 4096

The above equation calculates the “normalized” loop bandwidth (denoted as “NBW”) which is approximately equal to the - 3dB bandwidth. NBW does not take into account the effects of damping factor or the second pole imposed by  $C_P$ . It does, however, provide a useful approximation of filter performance.

To prevent jitter on VCLK due to modulation of the VCXO PLL by the phase detector frequency, the following general rule should be observed:

$$\text{NBW(VCO PLL)} \leq \frac{f(\text{Phase Detector})}{20}$$

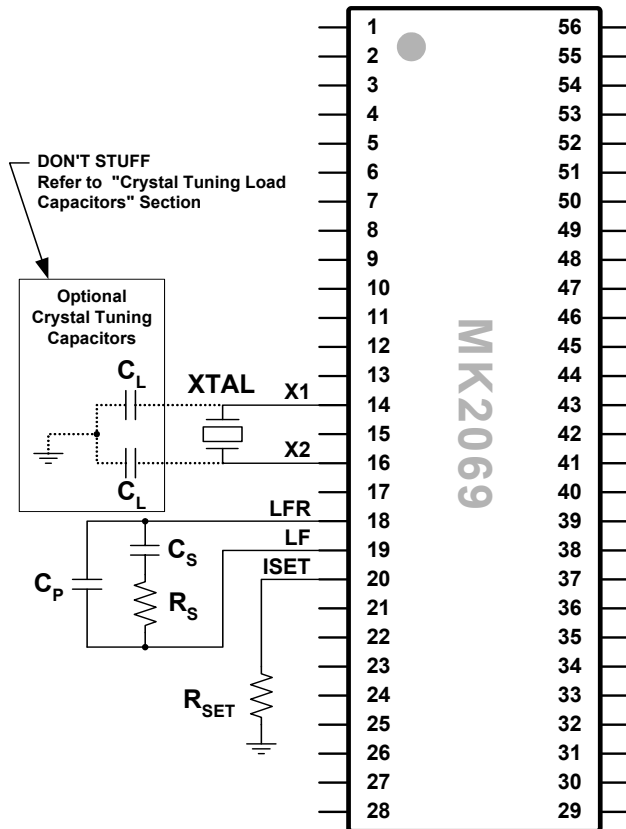
The PLL loop damping factor is determined by:

$$\text{DF(VCLK)} = \frac{R_S}{2} \times \sqrt{\frac{I_{CP} \times C_S \times K_O}{\text{SV Divider} \times \text{FV Divider}}}$$

Where:

$C_S$  = Value of capacitor  $C_S$  in loop filter in Farads

## External VCXO PLL Components



In general, the loop damping factor should be 0.7 or greater to ensure output stability. A higher damping factor will create less peaking in the passband and will further ensure output stability with the presence of system and power supply noise. A damping factor of 4 will ensure a passband peak less than 0.2dB which may be required for network clock wander transfer compliance. A higher damping factor may also increase output clock jitter when there is excess digital noise in the system application, due to the reduced ability of the PLL to respond to and therefore compensate for phase noise ingress.

### Notes on setting the value of $C_P$

As another general rule, the following relationship should be maintained between components  $C_S$  and  $C_P$  in the loop filter:

$$C_P = \frac{C_S}{20}$$

$C_P$  establishes a second pole in the VCXO PLL loop filter. For higher damping factors ( $> 1$ ), calculate the value of  $C_P$  based on a  $C_S$  value that would be used for a damping factor of 1. This will minimize baseband peaking and loop instability that can lead to output jitter.

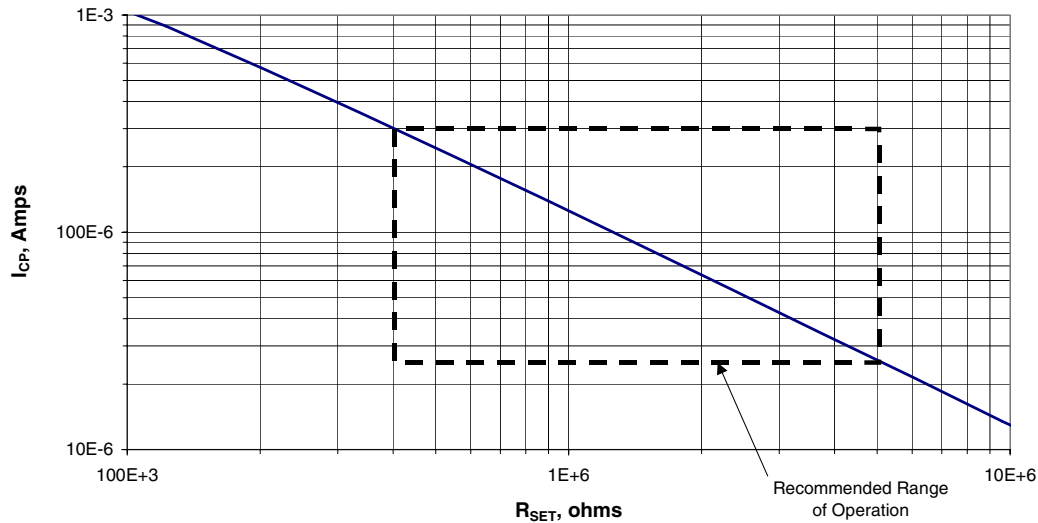
$C_P$  also dampens VCXO input voltage modulation by the charge pump correction pulses. A  $C_P$  value that is too low will result in increased output phase noise at the phase detector frequency due to this. In extreme cases where input jitter is high, charge pump current is high, and  $C_P$  is too small, the VCXO input voltage can hit the supply or ground rail resulting in non-linear loop response.

The best way to set the value of  $C_P$  is to use the filter response software available from ICS (please refer to the following section).  $C_P$  should be increased in value until it just starts affecting the passband peak.

### Loop Filter Response Software

Online tools to calculate loop filter response can be found at [www.icst.com](http://www.icst.com).

### Graph of Charge Pump Current vs. Value of $R_{SET}$ (external resistor)



### Charge Pump Current, Example Settings from Above Graph

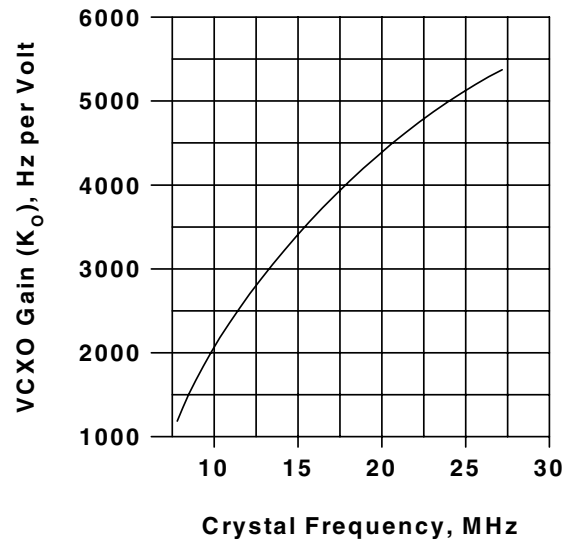
$R_{SET}$	Charge Pump Current ( $I_{CP}$ )
5 M $\Omega$	25 $\mu$ A
3 M $\Omega$	42 $\mu$ A
2 M $\Omega$	65 $\mu$ A
1 M $\Omega$	125 $\mu$ A
480 k $\Omega$	255 $\mu$ A
400 k $\Omega$	300 $\mu$ A

### Notes on Setting Charge Pump Current

The recommended range for the charge pump current is 25  $\mu$ A to 300  $\mu$ A. Below 25  $\mu$ A, loop filter charge leakage, due to PCB or capacitor leakage, can become a problem. This loop filter leakage can cause locking problems, output clock cycle slips, or low frequency phase noise.

As can be seen in the loop bandwidth and damping factor equations or by using the filter response software available from ICS, increasing charge pump current ( $I_{CP}$ ) increases both bandwidth and damping factor.

### VCXO Gain ( $K_O$ ) vs. XTAL Frequency





## Notes on Setting the RV, FV and SV Divider Values

As shown in the loop bandwidth and damping factor equations on page 6, or by using the filter response software available from ICS, increasing FV or SV decreases both bandwidth and damping factor. Many applications require that  $SV = 1$ . In these cases, one way to decrease loop bandwidth is to increase the value of FV, which is accompanied by an increase in the value of RV to maintain

the same PLL frequency multiplication ratio.

However, the phase detector frequency,  $F_{PD}$ , also needs to be considered.  $F_{PD}$  is equal to the input frequency divided by the value of the RV divider.  $F_{PD}$  should be typically at least 20x the loop bandwidth to prevent loop modulation (phase noise) by the phase detector frequency. The phase detector jitter tolerance limit (use 0.4UI) and input phase noise frequency aliasing should be considerations as well.

## Example Loop Filter Component Value

Input Clock	Xtal Freq (MHz)	VCLK (MHz)	RV Div	FV Div	SV Div	R <sub>SET</sub>	R <sub>S</sub>	C <sub>S</sub>	C <sub>P</sub>	Loop BW (-3dB)	Loop Damp.	Passband Peaking	Note
8 kHz	19.44	19.44	1	2430	1	1 M $\Omega$	560 k $\Omega$	1 $\mu$ F	4.7 nF	22 Hz	4.0	0.15dB at 1Hz	1
8 kHz	19.44	19.44	1	2430	1	1 M $\Omega$	560 k $\Omega$	0.1 $\mu$ F	4.7 nF	27 Hz	1.4	1.2dB at 6Hz	2
8 kHz	22.368	22.368	1	2796	1	1 M $\Omega$	680 k $\Omega$	1 $\mu$ F	4.7 nF	20 Hz	4.5	0.12dB at 1Hz	3
19.44 MHz	19.44	19.44	128	128	1	1 M $\Omega$	27 k $\Omega$	1 $\mu$ F	47 nF	25 Hz	0.85	1.8dB at 8Hz	4

Notes:

- 1) This filter configuration assures a passband ripple compliant with Bellcore GR-1244 to satisfy wander transfer requirements (<0.2 dB ripple is required) of a network node. It can be used following a system synchronizer such as the MT9045 to provide clock jitter attenuation while maintaining Stratum 3 compliance. A 155.52 MHz TCLK output generated with the VCXO PLL configuration will be OC-3 and OC-12 timing jitter compliant.
- 2) This is a reduced cost and size variant of the above filter, due to the decreased size of C<sub>S</sub>. It is useful when GR-1244 compliance is not needed, such as in a network access application.
- 3) This configuration is used to generate a DS3 clock of 44.768 MHz at the TCLK output. This configuration is GR-1244 compliant.
- 4) The MK2069-02 or MK2069-04 may be more suitable for this application since the VCXO feedback divider can be increased (>128), enabling a lower bandwidth for improved jitter attenuation.

## Loop Filter Capacitor Type

Loop filters must use specific types of capacitors. Recommendations for these capacitors can be found at [www.icst.com](http://www.icst.com).

## Input MUX

The MK2069-01 incorporates an input clock multiplexer or 'mux' that allows selection between one of three alternate reference inputs supplied to the device. The mux input

selection pins are asynchronous and non-latched. Please refer to the Input MUX Selection Table on page 2. Note that inputs ICLK0 and ICLK1 are 5V tolerant, whereas ICLK2 is not.

## Input Phase Compensation Circuit

The VCXO PLL includes a special input clock phase compensation circuit. It is used when selecting a new reference input that has a clock phase differing from the

previously selected input. The phase compensation circuit allows the VCXO PLL to quickly lock to the new input phase without producing extra clock cycles or clock wander, assuming the new clock is at the same frequency.

Input pin  $\overline{\text{CLR}}$  controls the phase compensation circuit.  $\overline{\text{CLR}}$  must remain high for normal operation. When used in conjunction with the input MUX select pins,  $\overline{\text{CLR}}$  should be brought low prior to MUX reselection, then returned high after MUX reselection. This prevents the VCXO PLL from attempting to lock to the new input clock phase associated with the input clock.

When  $\overline{\text{CLR}}$  is high, the VCXO PLL operates normally.

When  $\overline{\text{CLR}}$  is low, the VCXO PLL charge pump output is inactivated which means that no charge pump correction pulses are provided to the loop filter. During this time, the VCXO frequency is held constant by the residual charge or voltage on the PLL loop filter, regardless of the input clock condition. However, the VCXO frequency will drift over time, eventually to the minimum pull range of the crystal, due to leak-off of the loop filter charge. This means that  $\overline{\text{CLR}}$  can provide a holdover function, but only for a very short duration, typically in milliseconds.

Upon bringing  $\overline{\text{CLR}}$  high, the FV Divider is reset and begins counting upon with the first positive edge of the new input clock, and the charge pump is re-activated. By resetting the FV Divider, the memory of the previous input clock phase is removed from the feedback divider, eliminating the generation of extra VCLK clock cycle that would occur if the loop was to re-lock under normal means. Lock time is also reduced, as is the generation of clock wander.

By using  $\overline{\text{CLR}}$  in this fashion VCLK will align to the input clock phase with only one or two VCLK cycle slips resulting. When  $\overline{\text{CLR}}$  is not used, the number of VCLK cycle slips can be as high as the FV Divider value.

TCLK is always locked to VCLK regardless of the state of the  $\overline{\text{CLR}}$  input.

## Lock Detection

The MK2069-01 includes a lock detection feature that indicates lock status of VCLK relative to the selected input reference clock. When phase lock is achieved (such as following power-up), the LD output goes high. When phase lock is lost (such as when the input clock stops, drifts beyond the pullable range of the crystal, or suddenly shifts in

phase), the LD output goes low.

The definition of a “locked” condition is determined by the user. LD is high when the VCXO PLL phase detector error is below the user-defined threshold. This threshold is set by external components RLD and CLD shown in the Lock Detection Circuit Diagram, below.

To help guard against false lock indications, the LD pin will go high only when the phase error is below the set threshold for 8 consecutive phase detector cycles. The LD pin will go low when the phase error is above the set threshold for only 1 phase detector cycle.

The lock detector threshold (phase error) is determined by the following relationship:

$$(\text{LD Threshold}) = 0.6 \times R \times C$$

Where:

$$1 \text{ k}\Omega < R < 1 \text{ M}\Omega \text{ (to avoid excessive noise or leakage)}$$

$$C > 50 \text{ pF (to avoid excessive error due to stray capacitance, which can be as much as 10 pF including } C_{in} \text{ of LDC)}$$

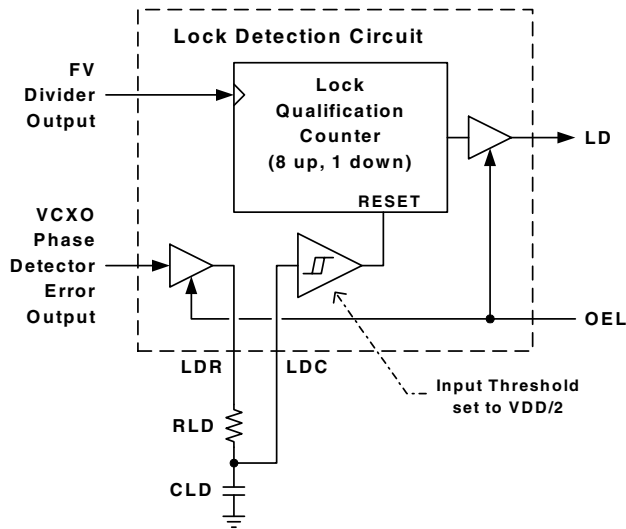
Lock Detector Application example:

The desired maximum allowable loop phase error for a generated 19.44MHz clock is 100UI which is 5.1  $\mu\text{s}$ .

$$\text{Solution: } 5.1 \mu\text{s} = (0.001 \mu\text{F}) \times (8.5 \text{ k}\Omega)$$

Under ideal conditions, where the VCXO is phase-locked to a low-jitter reference input, loop phase error is typically maintained to within a few nanoseconds.

## Lock Detection Circuit Diagram



If the lock detection circuit is not used, the LDR output may remain unconnected, however the LDC input should be tied high or low. If the PCB was designed to accommodate the RLD and CLD components but the LD output will not be used, RLD can remain unstuffed and CLD can be replaced with a resistor ( $< 10 \text{ kohm}$ ).

## Power Supply Considerations

As with any integrated clock device, the MK2069-01 has a special set of power supply requirements:

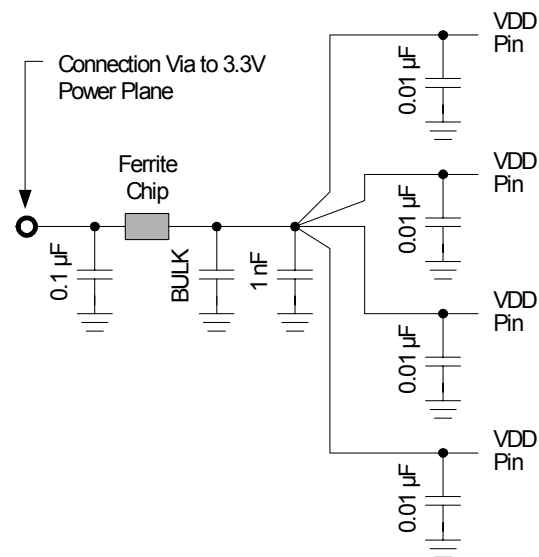
- The feed from the system power supply must be filtered for noise that can cause output clock jitter. Power supply noise sources include the system switching power supply or other system components. The noise can interfere with device PLL components such as the VCO or phase detector.
- Each VDD pin must be decoupled individually to prevent power supply noise generated by one device circuit block from interfering with another circuit block.
- Clock noise from device VDD pins must not get onto the PCB power plane or system EMI problems may result.

This above set of requirements is served by the circuit illustrated in the Recommended Power Supply Connection

(next page). The main features of this circuit are as follows:

- Only one connection is made to the PCB power plane.
- The capacitors and ferrite chip (or ferrite bead) on the common device supply form a lowpass 'pi' filter that remove noise from the power supply as well as clock noise back toward the supply. The bulk capacitor should be a tantalum type,  $1 \mu\text{F}$  minimum. The other capacitors should be ceramic type.
- The power supply traces to the individual VDD pins should fan out at the common supply filter to reduce interaction between the device circuit blocks.
- The decoupling capacitors at the VDD pins should be ceramic type and should be as close to the VDD pin as possible. There should be no via's between the decoupling capacitor and the supply pin.

## Recommended Power Supply Connection



## Series Termination Resistor

Output clock PCB traces over 1 inch should use series termination to maintain clock signal integrity and to reduce EMI. To series terminate a  $50 \Omega$  trace, which is a commonly used PCB trace impedance, place a  $33 \Omega$  resistor in series with the clock line as close to the clock output pin as possible. The nominal impedance of the clock output is  $20 \Omega$ .

## Quartz Crystal

The MK2069-01 operates by phase-locking the VCXO circuit to the input signal at the selected ICLK input. The VCXO consists of the external crystal and the integrated VCXO oscillator circuit. To achieve the best performance and reliability, a crystal device with the recommended parameters must be used, and the layout guidelines discussed in the following section must be followed.

The frequency of oscillation of a quartz crystal is determined by its cut and by the load capacitors connected to it. The MK2069-01 incorporates variable load capacitors on-chip which “pull” or change the frequency of the crystal. The crystals specified for use with the MK2069-01 are designed to have zero frequency error when the total of on-chip + stray capacitance is 14pF. To achieve this, the layout should use short traces between the MK2069-01 and the crystal.

### Recommended Crystal Parameters:

Crystal parameters can be found in application note [MAN05](#) on [www.icst.com](http://www.icst.com). Approved crystals can be found at [www.icst.com](http://www.icst.com) (search “crystal”).

### Crystal Tuning Load Capacitors

The crystal traces should include pads for small capacitors from X1 and X2 to ground, shown as  $C_L$  in the External VCXO PLL Components diagram on page 6. These capacitors are used to center the total load capacitor adjustment range imposed on the crystal. The load adjustment range includes stray PCB capacitance that varies with board layout. Because the typical telecom reference frequency is accurate to less than 32 ppm, the MK2069-01 may operate properly without these adjustment capacitors. However, ICS recommends that these capacitors be included to minimize the effects of variation in individual crystals, including those induced by temperature and aging. The value of these capacitors (typically 0-4 pF) is determined once for a given board layout, using the procedure described in [MAN05](#).

## PCB Layout Recommendations

For optimum device performance and lowest output phase noise, the following guidelines should be observed. Please refer to the Recommended PCB Layout drawing on the following page.

1) Each 0.01 $\mu$ F decoupling capacitor (CD) should be mounted on the component side of the board as close to the

VDD pin as possible. No via's should be used between the decoupling capacitor and VDD pin. The PCB trace to VDD pin should be kept as short as possible, as should the PCB trace to the ground via. Distance of the ferrite chip and bulk decoupling from the device is less critical.

2) The loop filter components must also be placed close to the CHGP and VIN pins.  $C_P$  should be closest to the device. Coupling of noise from other system signal traces should be minimized by keeping traces short and away from active signal traces. Use of vias should be avoided.

3) The external crystal should be mounted as close to the device as possible, on the component side of the board. This will keep the crystal PCB traces short which will minimize parasitic load capacitance on the crystal and as well as noise pickup. The crystal traces should be spaced away from each other and should use minimum trace width. There should be no signal traces near the crystal or the traces. Also refer to the Optional Crystal Shielding section that follows.

4) To minimize EMI the 33 $\Omega$  series termination resistor, if needed, should be placed close to the clock output.

5) All components should be on the same side of the board, minimizing vias through other signal layers (the ferrite bead and bulk decoupling capacitor may be mounted on the back). Other signal traces should be routed away from the MK2069-01. This includes signal traces on PCB traces just underneath the device, or on layers adjacent to the ground plane layer used by the device.

6) Because each input selection pin includes an internal pull-up device, those inputs requiring a logic high state (“1”) can be left unconnected. The pins requiring a logic low state (“0”) can be grounded.

### Optional Crystal Shielding

The crystal and connection traces to pins X1 and X2 are sensitive to noise pickup. In applications that are especially sensitive to noise, such as SONET or G-Bit ethernet transceivers, some or all of the following crystal shielding techniques should be considered. This is especially important when the MK2069-01 is placed near high speed logic or signal traces.

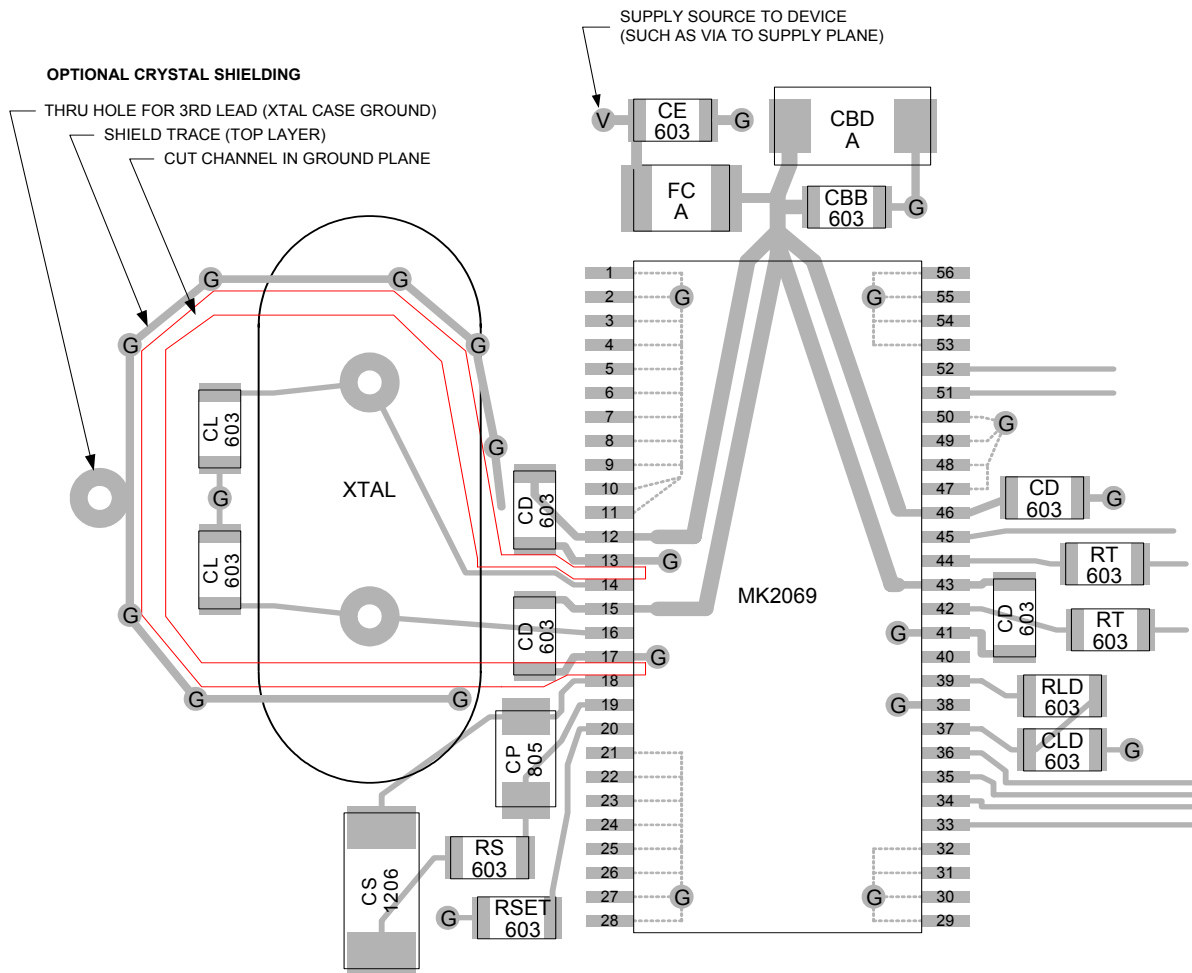
The following techniques are illustrated on the Recommended PCB Layout drawing.

- 1) The metal layer underneath the crystal section should be the ground layer. Remove all other layers that are above. This ground layer will help shield the crystal circuit from other system noise sources. As an alternative, all layers underneath the crystal can be removed, however this is not recommended if there are adjacent PCBs that can induce noise into the unshielded crystal circuit.
- 2) Cut a channel in the PCB ground plane around the crystal area as shown. This will eliminate high frequency ground currents that can couple into to crystal circuit.
- 3) Add a through-hole for the optional third lead offered by the crystal manufacturer (case ground). The requirement for this third lead can be made at prototype evaluation. The crystal is less sensitive to system noise interference when the case is grounded.
- 4) Add a ground trace around the crystal circuit to shield from other active traces on the component layer.

The external crystal is particularly sensitive to other system clock sources that are at or near the crystal frequency since it will try to lock to the interfering clock source. The crystal should be keep away from these clock sources.

The ICS Applications Note MAN05 may also be referenced for additional suggestions on layout of the crystal section.

## Recommended PCB Layout Diagram



Components are identified by function (top line) and by typical package type (bottom line) which may vary.

### Legend:

G = Via to PCB Ground plane

V = Via to PCB Power Plane

CE = EMI suppression cap, typical value 0.1  $\mu$ F (ceramic)

FC = Ferrite chip

CBD = Bulk decoupling capacitor for chip power supply, 1  $\mu$ F minimum (tantalum)

CBB = Bulk bypass cap for chip power supply, typical value 1000 nF (ceramic)

CD = Decoupling capacitor for VDD pin (ceramic)

CL = Optional load capacitor for crystal tuning (do not stuff)

CS = External loop capacitor  $C_S$  (film type)

CP = External loop capacitor  $C_P$  (film type)

RS = External loop resistor  $R_S$

RSET = Resistor  $R_{SET}$  used to set charge pump current

RT = Series termination resistor for clock output, typical value 33  $\Omega$

RLD\* = External resistor for lock detector circuit

CLD\* = External capacitor for lock detector circuit

\*Note: If output LD is not used, RLD and CLD may be omitted. See text on page 10.



## Circuit Troubleshooting

### 1) IF TCLK or VCLK does not lock to ICLK

First check VCLK to ICLK. It is best to display and trigger the scope with RCLK, especially if a non-integer VCXO PLL multiplication ratio is used.

If VCLK is not locked to ICLK:

- 1.1) Ensure the proper ICLK input is selected.
- 1.2) Check RV, SV, FV Divider settings
- 1.3) Ensure ICLK is within lock range (within about 100 ppm of the nominal input frequency, limited by pull range of the external crystal). If in doubt, tweak the ICLK frequency up and down to see if VCLK locks.
- 1.4) Ensure ICLK jitter is not excessive. If ICLK jitter is excessive device may not lock. Also see item 2.1 below.
- 1.5) Clean the PCB. The VCXO PLL loop filter is very sensitive to board leakage, especially when the VCXO PLL phase detector frequency is in the low kHz. If organic solder flux is used (most common today) scrub the PCB board with detergent and water and then blow and bake dry. Inorganic solder flux (Rosen core) requires solvent. See also section 3 below.

### 2) If There is Excessive Jitter on VCLK or TCLK

- 2.1) The problem may be an unstable input reference clock. An unstable ICLK will not appear to jitter when ICLK is used as the oscilloscope trigger source. In this condition, VCLK and TCLK may appear to be unstable since the jitter from ICLK (the trigger source) has been removed by the trigger circuit of the scope.
- 2.2) The instability may be caused by VCXO PLL loop filter

leakage. Refer to item 1.5 above.

- 2.3) VCLK and TCLK jitter can also be caused by poor power supply decoupling. Ensure a bulk decoupling capacitor is in place.
- 2.4) Ensure that the VCXO PLL loop bandwidth is sufficiently low. It should be at least 1/20th of the phase detector frequency.
- 2.5) Ensure that the VCXO PLL loop damping is sufficient. It should be at least 0.7, preferably 1.0 or higher.
- 2.6) Ensure that the 2nd pole in the VCXO PLL loop filter is set sufficiently. In general,  $C_P$  should be equal to  $CS/20$ . If  $C_P$  is too high, passband peaking will occur and loop instability may occur. If  $C_P$  is set too low, excessive VCXO modulation by the charge correction pulses may occur.

### 3) If There is Excessive Input to Output Skew

- 3.1) TCLK should track VCLK. The rising edge of TCLK should be within a few nanoseconds of VCLK.
- 3.1) VCLK should track RCLK. The rising edge of VCLK should be within 5-10 nsec of RCLK (VCLK leads).
- 3.3) The biggest cause of input to output skew is VCXO PLL loop filter leakage. Skew is best observed by comparing ICLK to RCLK. When no leakage is present the rising edge of RCLK should lag the rising edge of ICLK by about 10 usec. Loop filter leakage can greatly increase this lag time or cause the loop to not lock. Refer to item 1.5, above.
- 3.4) Another way to view the loop filter leakage is to observe LDR pin. Use RCLK as the scope trigger. LDR will produce a negative pulse equal in length to the charge pump pulse.
- 3.5) Filter leakage can also be caused by the use of improper loop capacitors. Refer to the section titled 'Loop Filter Capacitor Type' on page 9.

## Absolute Maximum Ratings

Stresses above the ratings listed below can cause permanent damage to the MK2069-01. These ratings are stress ratings only. Functional operation of the device at these or any other conditions above those indicated in the operational sections of the specifications is not implied. Exposure to absolute maximum rating conditions for extended periods can affect product reliability. Electrical parameters are guaranteed only over the recommended operating temperature range.

Item	Rating
Supply Voltage, VDD	7V
All Inputs and Outputs	-0.5V to VDD+0.5V
Ambient Operating Temperature	-40 to +85°C
Storage Temperature	-65 to +150°C
Junction Temperature	175°C
Soldering Temperature	260°C

## Recommended Operation Conditions

Parameter	Min.	Typ.	Max.	Units
Ambient Operating Temperature	-40		+85	°C
Power Supply Voltage (measured in respect to GND)	+3.15	+3.3	+3.45	V



## DC Electrical Characteristics

Unless stated otherwise, VDD = 3.3V ±5%, Ambient Temperature -40 to +85°C

Parameter	Symbol	Conditions	Min.	Typ.	Max.	Units
Operating Voltage	VDD		3.15	3.3	3.45	V
Supply Current	IDD	All clock outputs loaded with 15 pF, VCLK = 19.44 MHz, TCLK = 155.52 MHz		20	30	mA
Input High Voltage, MX1:0, RV1:0, FV11:0, SV2:0, RT1:0, FT5:0, ST1:0	V <sub>IH</sub>		2		VDD + 0.4	V
Input Low Voltage, MX1:0, RV1:0, FV11:0, SV2:0, RT1:0, FT5:0, ST1:0	V <sub>IL</sub>		-0.4		0.8	V
Input Pull-Up Resistor (Note 1)	R <sub>PU</sub>			200		kΩ
Input High Voltage, ICLK2, $\overline{\text{CLR}}$	V <sub>IH</sub>		VDD/2+1		VDD + 0.4	V
Input High Voltage, ICLK1:0	V <sub>IH</sub>		VDD/2+1		5.5	V
Input Low Voltage, ICLK2:0, $\overline{\text{CLR}}$	V <sub>IL</sub>		-0.4		VDD/2-1	V
Input High Current (Note 1)	I <sub>IH</sub>	V <sub>IH</sub> = VDD	-10		+10	μA
Input Low Current (Note 1)	I <sub>IL</sub>	V <sub>IL</sub> = 0	-10		+10	μA
Input Capacitance, except X1	C <sub>IN</sub>			7		pF
Output High Voltage (CMOS Level)	V <sub>OH</sub>	I <sub>OH</sub> = -4 mA	VDD-0.4			V
Output High Voltage	V <sub>OH</sub>	I <sub>OH</sub> = -8 mA	2.4			V
Output Low Voltage	V <sub>OL</sub>	I <sub>OL</sub> = 4 mA			0.4	V
Output Short Circuit Current, TCLK	I <sub>OS</sub>			±50		mA
Output Short Circuit Current, VCLK, RCLK and LD	I <sub>OS</sub>			±20		mA
VIN, VCXO Control Voltage	V <sub>XC</sub>		0		VDD	V

Note 1: All logic select inputs (MX1:0, RV1:0, FV11:0, SV2:0, RT1:0, FT5:0, ST1:0,  $\overline{\text{CLR}}$ ) have an internal pull-up resistor.

## AC Electrical Characteristics

Unless stated otherwise, VDD = 3.3V  $\pm$ 5%, Ambient Temperature -40 to +85° C

Parameter	Symbol	Conditions	Min.	Typ.	Max.	Units
VCXO Crystal Frequency Range (Note 1)	$f_{XTAL}$	Using recommended crystal	13.5		27	MHz
VCXO Crystal Pull Range	$f_{XP}$	Using recommended crystal	$\pm$ 115	$\pm$ 150		ppm
VCXO Crystal Free-Run Frequency (Note 2)	$f_{XF}$	Input reference = 0 Hz	-300	-150		ppm
Input Clock Frequency (Note 2)	$f_I$		0.001		170	MHz
Input Clock Pulse Width	$t_{ID}$	Positive or Negative Pulse	10			nsec
VCXO PLL Phase Detector Frequency (Note 3)	$f_{PD}$		0.001		27	MHz
VCXO PLL Phase Detector Jitter Tolerance	$t_{JT}$	1 UI = phase detector period		0.4		UI
Translator PLL VCO Frequency	$f_V$		40		320	MHz
Timing Jitter, Filtered 500Hz-1.3MHz (OC-3)	$t_{OJf}$	Derived from phase noise characteristics, peak-to-peak 6 sigma		95		ps
Timing Jitter, Filtered 65kHz-5MHz (OC-3)	$t_{OJf}$	Derived from phase noise characteristics, peak-to-peak 6 sigma		85		ps
Timing Jitter, Filtered 1kHz-5MHz (OC-12)	$t_{OJf}$	Derived from phase noise characteristics, peak-to-peak 6 sigma		105		ps
Timing Jitter, Filtered 250kHz-5MHz (OC-12)	$t_{OJf}$	Derived from phase noise characteristics, peak-to-peak 6 sigma		80		ps
Output Duty Cycle (% high time), VCLK when SV Divider = 1	$t_{OD}$	Measured at VDD/2, $C_L=15pF$	40	50	60	%
Output Duty Cycle (% high time), VCLK when SV Divider > 1, TCLK	$t_{OD}$	Measured at VDD/2, $C_L=15pF$	44	50	65	%
Output High Time, RCLK (Note 4)	$t_{OH}$	Measured at VDD/2, $C_L=15pF$		0.5 VCLK Period		
Output Rise Time, VCLK and RCLK	$t_{OR}$	0.8 to 2.0V, $C_L=15pF$		1.5	2	ns
Output Fall Time, VCLK and RCLK	$t_{OF}$	2.0 to 0.8V, $C_L=15pF$		1.5	2	ns

Parameter	Symbol	Conditions	Min.	Typ.	Max.	Units
Output Rise Time, TCLK	$t_{OR}$	0.8 to 2.0V, $C_L=15\text{pF}$		0.75	1	ns
Output Fall Time, TCLK	$t_{OF}$	2.0 to 0.8V, $C_L=15\text{pF}$		0.75	1	ns
Skew, ICLK to VCLK (Note 5)	$t_{IV}$	Rising edges, $C_L=15\text{pF}$	-5	2.5	+10	ns
Skew, ICLK to RCLK (Note 5)	$t_{IV}$	Rising edges, $C_L=15\text{pF}$	+5	10	+20	ns
Skew, ICLK to TCLK (Note 5)	$t_{VT}$	Rising edges, $C_L=15\text{pF}$	-5	1.5	+10	ns
Nominal Output Impedance	$Z_{OUT}$			20		$\Omega$

Note 1: This is the recommended crystal operating range. A crystal as low as 8 MHz can be used, although this may result in increased output phase noise.

Note 2: The VCXO crystal will be pulled to its minimum frequency when there is no input clock ( $\overline{CLR} = 1$ ) due to the attempt of the PLL to lock to 0 Hz.

Note 3: The minimum practical input frequency is 1 kHz. Through proper loop filter design lower input frequencies may be possible.

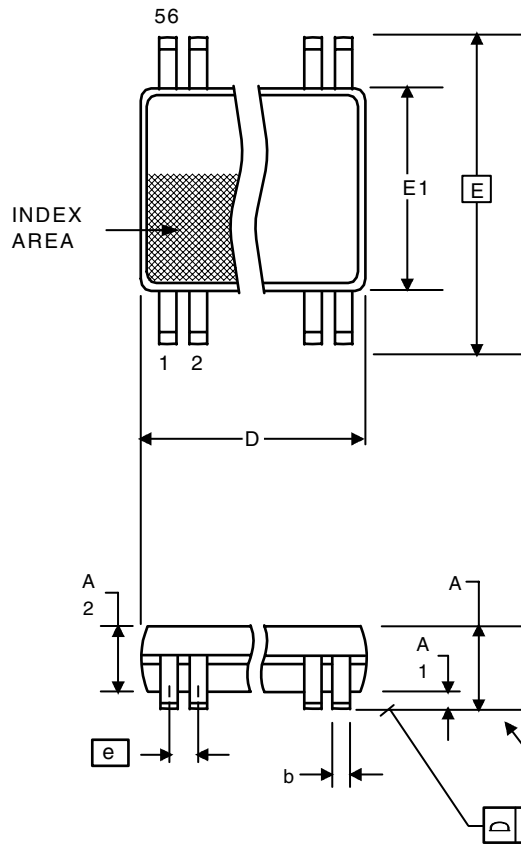
Note 4: The output of RCLK is a positive pulse with a duration equal to VCLK high time, or half the VCLK period.

Note 5: Referenced to ICLK, the skews of VCLK, RCLK and TCLK increase together when leakage is present in the external VCXO PLL loop filter.

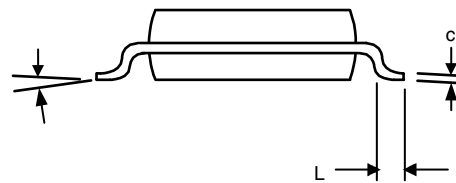
## Package Outline and Package Dimensions

56 pin TSSOP 6.10 mm (240 mil) body, 0.50 mm. (20 mil) pitch

Package dimensions are kept current with JEDEC Publication No. 95



Symbol	Millimeters		Inches	
	Min	Max	Min	Max
A	--	1.20	--	0.047
A1	0.05	0.15	0.002	0.006
A2	0.80	1.05	0.032	0.041
b	0.17	0.27	0.007	0.011
C	0.09	0.20	0.0035	0.008
D	13.90	14.10	0.547	0.555
E	8.10 BASIC		0.319 BASIC	
E1	6.00	6.20	0.236	0.244
e	0.50 Basic		0.020 Basic	
L	0.45	0.75	0.018	0.030
$\alpha$	0°	8°	0°	8°
aaa	--	0.10	--	0.004



## Ordering Information

Part / Order Number	Marking	Shipping packaging	Package	Temperature
MK2069-01GI	MK2069-01GI	Tubes	56 pin TSSOP	-40 to +85° C
MK2069-01GITR	MK2069-01GI	Tape and Reel	56 pin TSSOP	-40 to +85° C

While the information presented herein has been checked for both accuracy and reliability, Integrated Circuit Systems (ICS) assumes no responsibility for either its use or for the infringement of any patents or other rights of third parties, which would result from its use. No other circuits, patents, or licenses are implied. This product is intended for use in normal commercial applications. Any other applications such as those requiring extended temperature range, high reliability, or other extraordinary environmental requirements are not recommended without additional processing by ICS. ICS reserves the right to change any circuitry or specifications without notice. ICS does not authorize or warrant any ICS product for use in life support devices or critical medical instruments.

Innovate with IDT and accelerate your future networks. Contact:

**www.IDT.com**

**For Sales**

800-345-7015  
408-284-8200  
Fax: 408-284-2775

**For Tech Support**

<product line email>  
<product line phone>

---

**Corporate Headquarters**

Integrated Device Technology, Inc.  
6024 Silver Creek Valley Road  
San Jose, CA 95138  
United States  
800 345 7015  
+408 284 8200 (outside U.S.)

**Asia Pacific and Japan**

Integrated Device Technology  
Singapore (1997) Pte. Ltd.  
Reg. No. 199707558G  
435 Orchard Road  
#20-03 Wisma Atria  
Singapore 238877  
+65 6 887 5505

**Europe**

IDT Europe, Limited  
Prime House  
Barnett Wood Lane  
Leatherhead, Surrey  
United Kingdom KT22 7DE  
+44 1372 363 339



[www.IDT.com](http://www.IDT.com)