

FEATURES

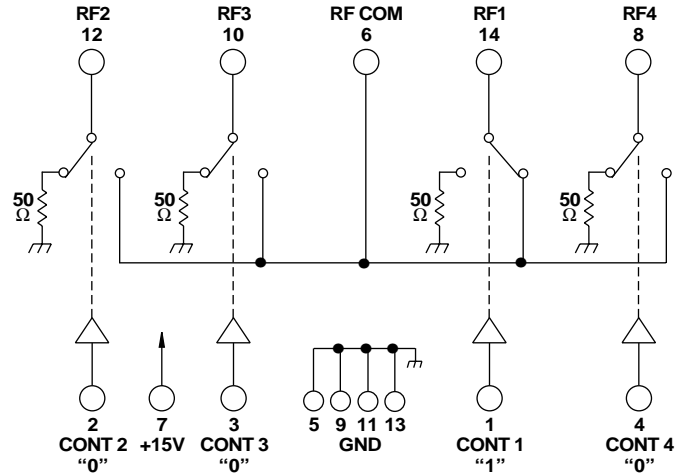
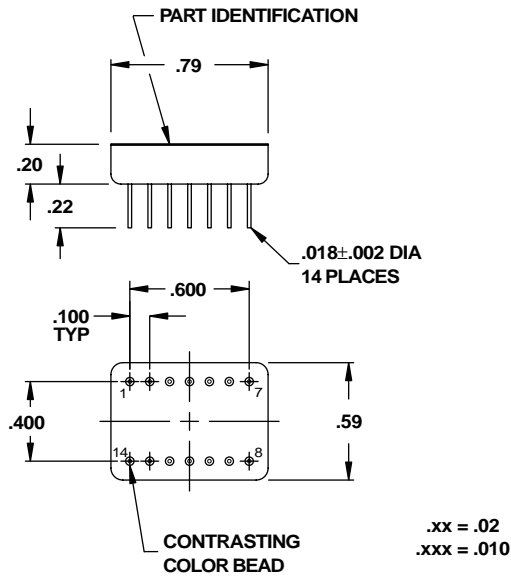
- 10 - 500 MHz
- 6 mA, +15 VDC
- CMOS Driver
- Non-Reflective
- Small 14 Pin DIP
- Low Cost



**MODEL NO.
DS0085**

PIN Diode SP4T

SP4T



GUARANTEED PERFORMANCE

Parameter	Min	Typ	Max	Units	Conditions
Operating Frequency	10		500	MHz	
DC Current		6		mA	At +15 VDC Supply
Control Type		CMOS			4 Line Logic "1" = On Logic "0" = Off
Control Current	High Low		±2	µA	V _{IH} = +15V V _{IL} = Ground
Insertion Loss		0.6	0.8	dB	10 - 500 MHz
Isolation	50 40 25	60 47 30		dB	10 - 30 MHz 30 - 100 MHz 100 - 500 MHz
VSWR		1.05/1	1.2/1		10 - 500 MHz
Impedance		50		OHMS	
Switching Speed		35		µSEC	50% CMOS to 90% / 10% RF
Intercept Points	2nd 3rd	+67 +40		dBm	
RF Power	Operate		+10	dBm	
Operating Temperature	-55	+25	+125	°C	TA

