

## FEATURES

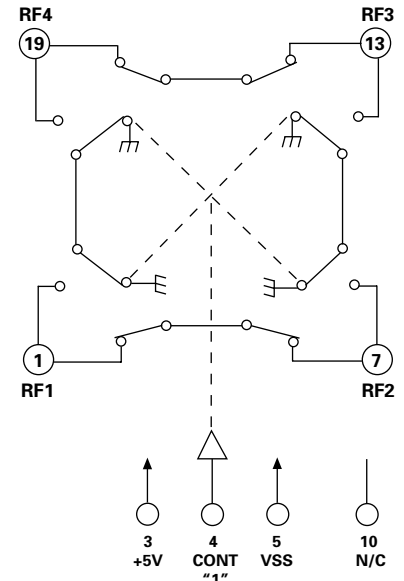
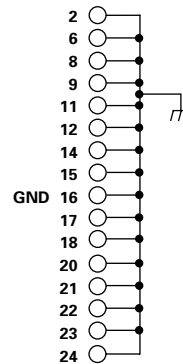
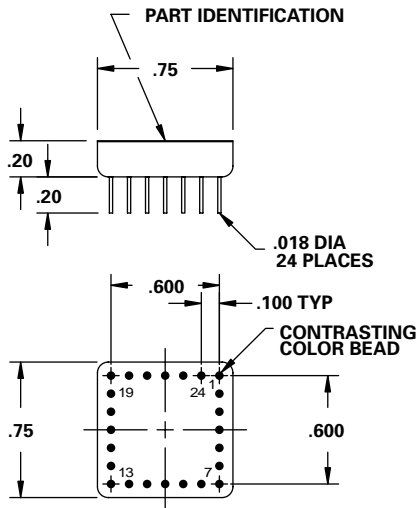
- 15 - 300 MHz
- 5V CMOS Driver
- Small .75 Sq. Package



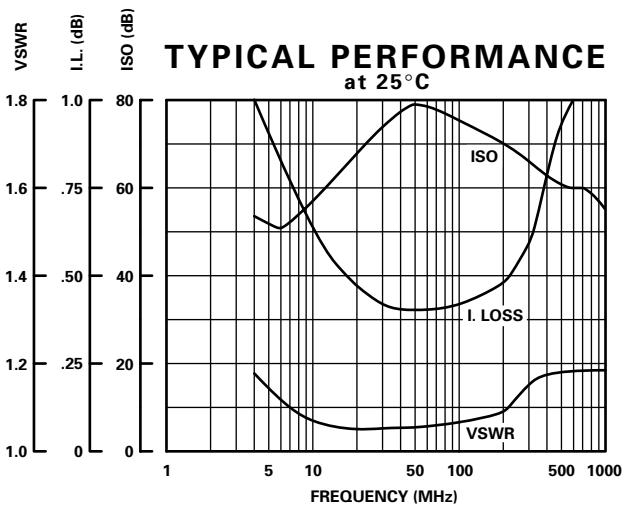
**MODEL NO.  
DS0097**

## PIN Diode Transfer Switch

XFER



N/C=NO INTERNAL CONNECTION



### LOGIC TABLE

"0"	RF1 TO RF4
	RF2 TO RF3
"1"	RF1 TO RF2
	RF3 TO RF4

## GUARANTEED PERFORMANCE

Parameter	Min	Typ	Max	Units	Conditions
Operating Frequency	15		300	MHz	
DC Current		9	20		At +5 VDC Supply
Control Type		CMOS			1 Line, See Logic Table
Control Current		0		μSEC	VIH = +5V
		0		μSEC	VIL = 0V
Insertion Loss		0.55	1	dB	
Amplitude Balance		0.02	±0.1	dB	15 - 100 MHz
		0.08	±0.2	dB	100 - 300 MHz
Phase Balance		0.3	±1	DEG	15 - 100 MHz
		1	±3	DEG	100 - 300 MHz
Isolation	50	60		dB	
VSWR	Thru	1.16/1	1.25/1		
Impedance		50		OHMS	
Switching Speed		5	10	μSEC	50% CMOS - 90% / 10% RF
Transition (Rise/Fall) Time		2	5	μSEC	90% / 10% or 10% / 90% RF
Switching (Video) Transients		205		mV	Peak Value
Intercept Points	2nd	+78		dBm	
	3rd	+46		dBm	
RF Power	Operate	+14	+10	dBm	
			+30	dBm	
Operating Temperature	-55	+25	+85	°C	TA