



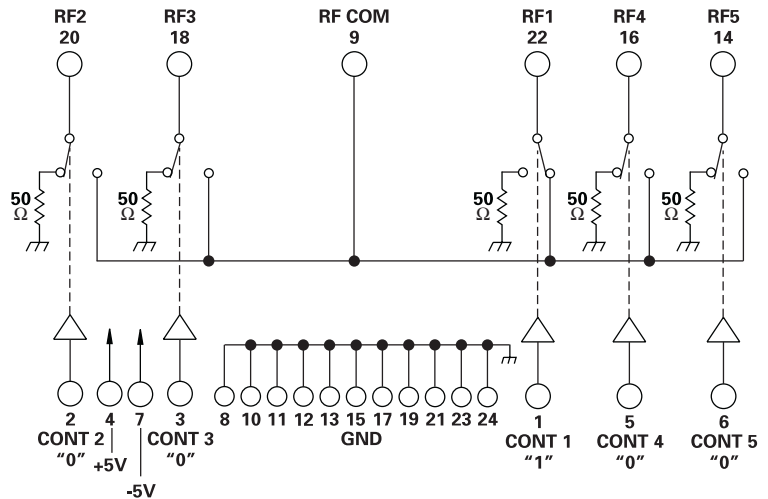
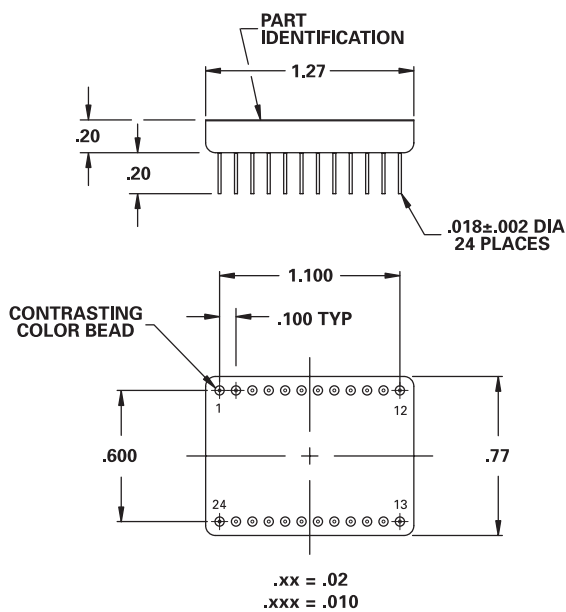
MODEL NUMBER DS0028

PIN Diode SP5T

FEATURES

- 20-300 MHz
- 0.65 dB Insertion Loss
- Non-Reflective
- TTL Driver
- Small 24 Pin DIP
- Low Cost

SP5T



GUARANTEED PERFORMANCE

Parameter	Min	Typ	Max	Units	Conditions
Operating Frequency	20		300	MHz	
DC Current		20 90	32 140	mA	At +5 VDC Supply At -5 VDC Supply
Control Type		TTL			5 Line Logic "1" = On Logic "0" = Off
Control Current	High Low		100 -800	μA	V _{IH} = +2.7V V _{IL} = +0.4V
Insertion Loss		0.7	1	dB	
Isolation	45 40	48 43		dB	20 - 175 MHz 175 - 300 MHz
VSWR	Thru	1.1/1	1.3/1		
Impedance		50		OHMS	
Switching Speed			1	μSEC	50% TTL to 90% / 10% RF
RF Power	Operate No Damage	+13 +16	+10 +13 +25	dBm	0.1 dB Comp 20 - 100 MHz 0.1 dB Comp 100 - 300 MHz
Operating Temperature	-55	+25	+125	°C	TA

