

# MAX98309/MAX98310

## Mono 1.4W Class AB Audio Amplifiers

### General Description

The MAX98309/MAX98310 mono 1.4W Class AB audio amplifiers offer low quiescent current while maintaining excellent SNR and low 0.008% THD+N. These ICs feature excellent 90dB PSRR and state of the art click-and-pop suppression.

The ICs are offered with an internally fixed 0dB, 3dB, 6dB and 9dB gain (MAX98310) or an externally set gain (MAX98309) through external resistors.

The MAX98309 feature a 10ms or 100ms pin selectable turn-on time, while the MAX98310 has a preset 5ms turn on time.

The MAX98309/MAX98310 are available in (1.0mm x 1.0mm) 9-bump, 0.3mm pitch WLP. These ICs are specified over the extended -40°C to +85°C temperature range.

### Applications

Cell Phones/Smartphones  
Digital Cameras  
GPS  
Portable Media Players  
E-Readers  
Tablets

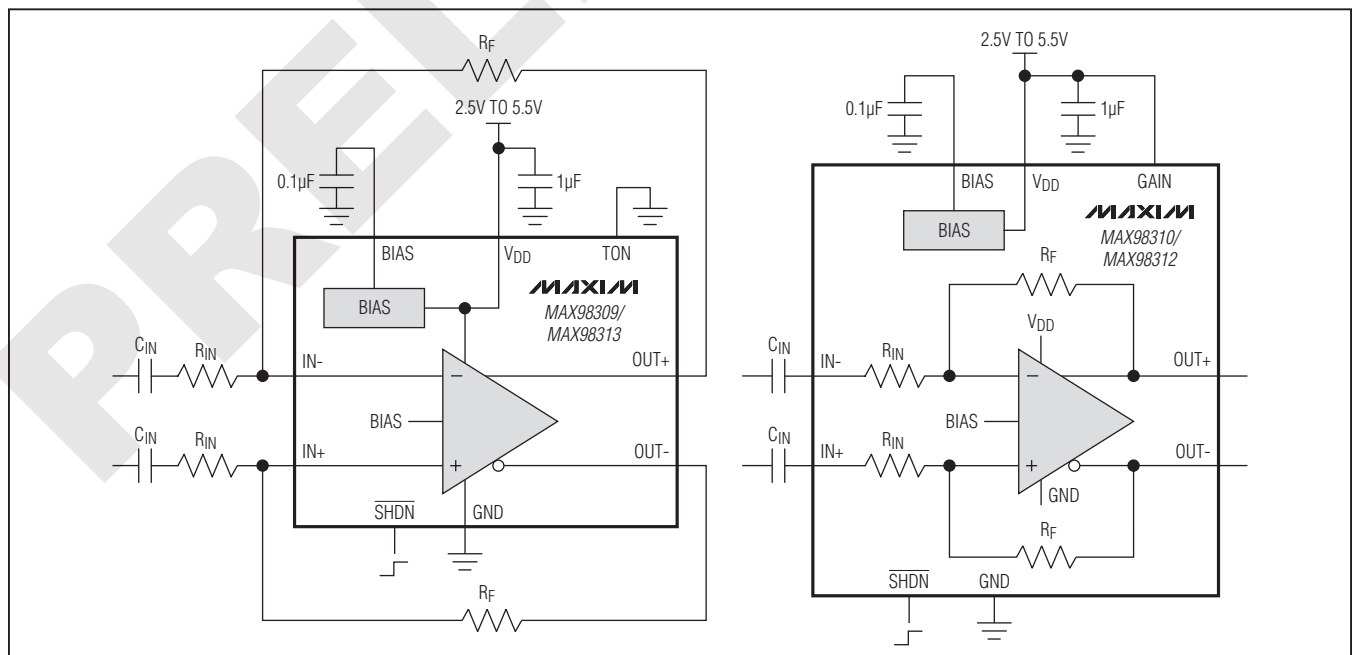
### Benefits and Features

- ◆ Enhances System Performance
  - Differential Input Improves Noise Immunity
  - Industry-Leading Click-and-Pop Suppression
  - High 90dB PSRR ( $f_{IN} = 217\text{Hz}$ )
- ◆ Smaller Solution Size
  - 1mm x 1mm WLP Footprint
- ◆ Extends Battery Life
  - Low Quiescent Current
- ◆ Delivers Robust System Design
  - Thermal Overload Protection
  - Short-Circuit Protection
- ◆ 1.2mA Supply Current ( $V_{DD} = 3.7\text{V}$ )
- ◆ 750mW into 8Ω ( $V_{DD} = 3.7\text{V}$ )
- ◆ 2.5V to 5.5V Supply Operation
- ◆ Pin-Selectable, Internally-Fixed Gain (MAX98310)
- ◆ 1.8V Logic-Compatible SHDN Input

Ordering Information appears at end of data sheet.

For related parts and recommended products to use with this part, refer to [www.maxim-ic.com/MAX98309/MAX98310.related](http://www.maxim-ic.com/MAX98309/MAX98310.related).

### Simplified Block Diagram



# MAX98309/MAX98310

## Mono 1.4W Class AB Audio Amplifiers

### Ordering Information

PART	PIN-PACKAGE	GAIN	TOP MARK
MAX98309EWL+	9 WLP 0.3mm pitch	External	+AIY
MAX98310EWL+	9 WLP 0.3mm pitch	Fixed	+AIZ

**Note:** All devices are specified over the -40°C to +85°C temperature range.  
+Denotes a lead(Pb)-free/RoHS-compliant package.