

# LMK04000 Family

## Low-Noise Clock Jitter Cleaner with Cascaded PLLs

### 1.0 General Description

The LMK04000 family of precision clock conditioners provides low-noise jitter cleaning, clock multiplication and distribution without the need for high-performance voltage controlled crystal oscillators (VCXO) module. Using a cascaded PLLatinum™ architecture combined with an external crystal and varactor diode, the LMK04000 family provides sub-200 femtosecond (fs) root mean square (RMS) jitter performance.

The cascaded architecture consists of two high-performance phase-locked loops (PLL), a low-noise crystal oscillator circuit, and a high-performance voltage controlled oscillator (VCO). The first PLL (PLL1) provides a low-noise jitter cleaner function while the second PLL (PLL2) performs the clock generation. PLL1 can be configured to either work with an external VCXO module or use the integrated crystal oscillator with an external crystal and a varactor diode. When used with a very narrow loop bandwidth, PLL1 uses the superior close-in phase noise (offsets below 50 kHz) of the VCXO module or the crystal to clean the input clock. The output of PLL1 is used as the clean input reference to PLL2 where it locks the integrated VCO. The loop bandwidth of PLL2 can be optimized to clean the far-out phase noise (offsets above 50 kHz) where the integrated VCO outperforms the VCXO module or crystal used in PLL1.

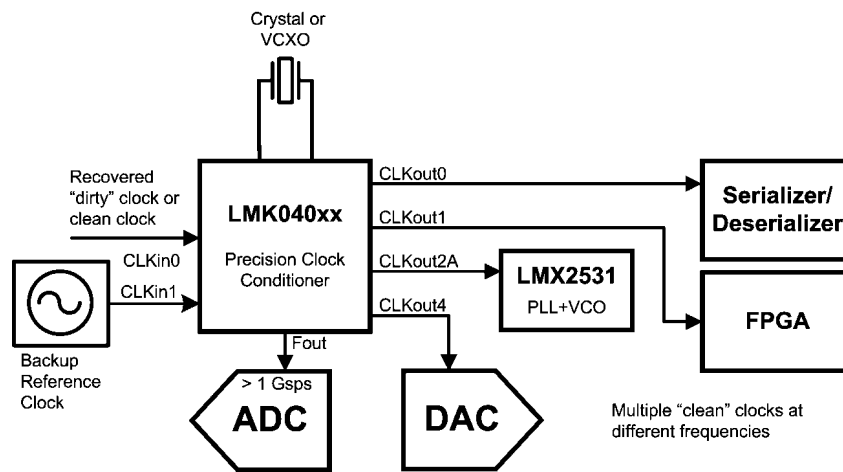
The LMK04000 family features dual redundant inputs, five differential outputs, and an optional default-clock upon power up. The input block is equipped with loss of signal detection and automatic or manual selection of the reference clock. Each clock output consists of a programmable divider, a phase synchronization circuit, a programmable delay, and an LVDS, LVPECL, or LVCMOS output buffer. The default start-up clock is available on CLKout2 and it can be used to provide an initial clock for the field-programmable gate array (FPGA) or microcontroller that programs the jitter cleaner during the system power up sequence.

### 2.0 Features

- Cascaded PLLatinum PLL Architecture
  - PLL1
    - Phase detector rate of up to 40 MHz
    - Integrated Low-Noise Crystal Oscillator Circuit
    - Dual redundant input reference clock with LOS
  - PLL2
    - Normalized [1 Hz] PLL noise floor of -224 dBc/Hz
    - Phase detector rate up to 100 MHz
    - Input frequency-doubler
    - Integrated Low-Noise VCO
- Ultra-Low RMS Jitter Performance
  - 150 fs RMS jitter (12 kHz – 20 MHz)
  - 200 fs RMS jitter (100 Hz – 20 MHz)
- LVPECL/2VPECL, LVDS, and LVCMOS outputs
- Support clock rates up to 1080 MHz
- Default Clock Output (CLKout2) at power up
- Five dedicated channel divider and delay blocks
- Pin compatible family of clocking devices
- Industrial Temperature Range: -40 to 85 °C
- 3.15 V to 3.45 V operation
- Package: 48 pin LLP (7.0 x 7.0 x 0.8 mm)

### 3.0 Target Applications

- Data Converter Clocking
- Wireless Infrastructure
- Networking, SONET/SDH, DSLAM
- Medical
- Military / Aerospace
- Test and Measurement
- Video



30027140

PLLatinum™ is a trademark of National Semiconductor Corporation.  
 TRI-STATE® is a registered trademark of National Semiconductor Corporation.

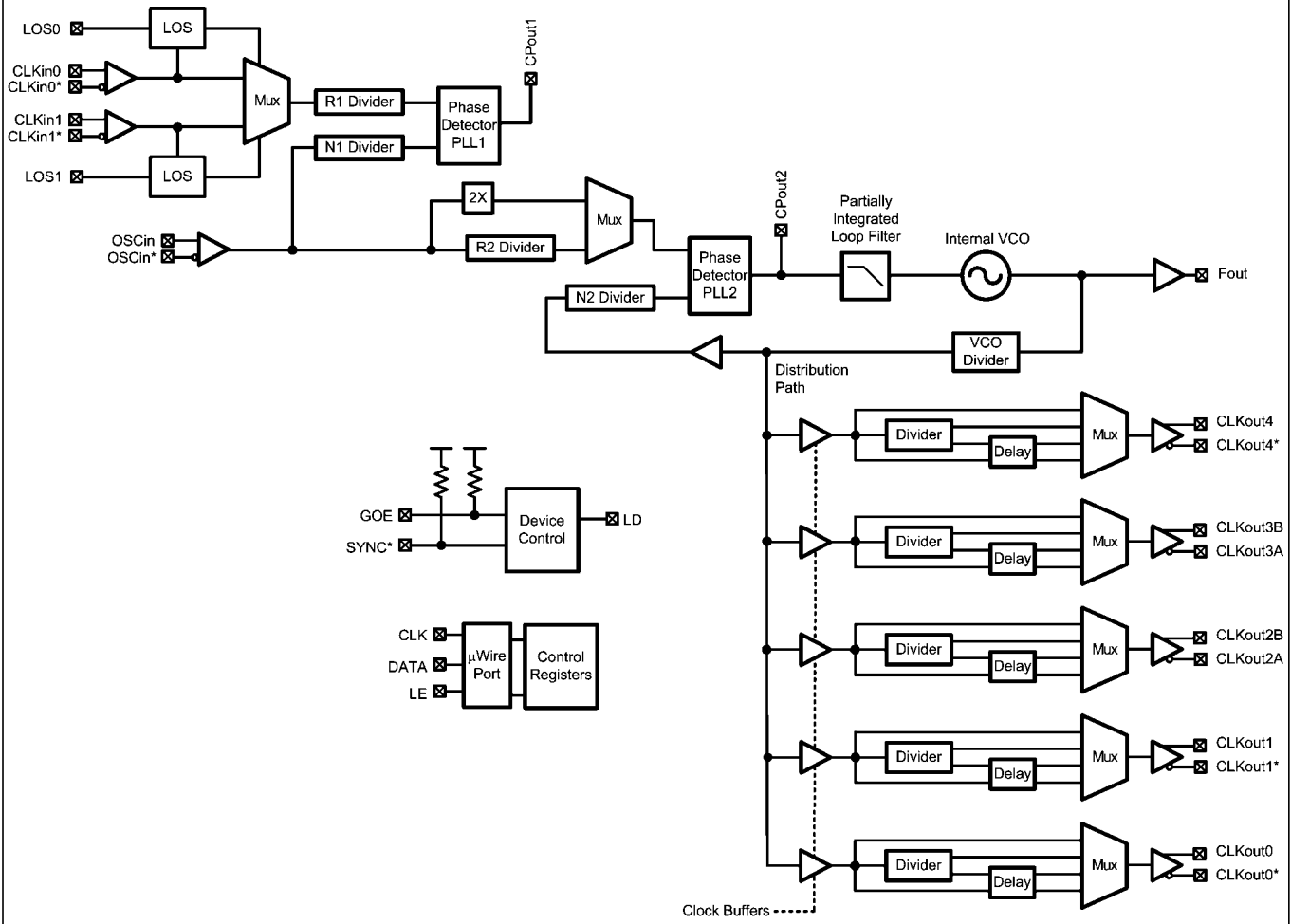
## Device Configuration Information (Note 1)

NSID	PROCESS	2VPECL / LVPECL OUTPUTS	LVDS OUTPUTS	LVC MOS OUTPUTS	VCO
LMK04000BISQ	BiCMOS	3		4	1185 to 1296 MHz
LMK04001BISQ	BiCMOS	3		4	1430 to 1570 MHz
LMK04002BISQ	BiCMOS	3		4	1600 to 1750 MHz
LMK04010BISQ	BiCMOS	5			1185 to 1296 MHz
LMK04011BISQ	BiCMOS	5			1430 to 1570 MHz
LMK04031BISQ	BiCMOS	2	2	2	1430 to 1570 MHz
LMK04033BISQ	BiCMOS	2	2	2	1840 to 2160 MHz

NSID	CLKout0	CLKout1	CLKout2	CLKout3	CLKout4
LMK04000BISQ	2VPECL / LVPECL	LVC MOS x 2	LVC MOS x 2	2VPECL / LVPECL	2VPECL / LVPECL
LMK04001BISQ	2VPECL / LVPECL	LVC MOS x 2	LVC MOS x 2	2VPECL / LVPECL	2VPECL / LVPECL
LMK04002BISQ	2VPECL / LVPECL	LVC MOS x 2	LVC MOS x 2	2VPECL / LVPECL	2VPECL / LVPECL
LMK04010BISQ	2VPECL / LVPECL	2VPECL / LVPECL	2VPECL / LVPECL	2VPECL / LVPECL	2VPECL / LVPECL
LMK04011BISQ	2VPECL / LVPECL	2VPECL / LVPECL	2VPECL / LVPECL	2VPECL / LVPECL	2VPECL / LVPECL
LMK04031BISQ	LVDS	2VPECL / LVPECL	LVC MOS x 2	2VPECL / LVPECL	LVDS
LMK04033BISQ	LVDS	2VPECL / LVPECL	LVC MOS x 2	2VPECL / LVPECL	LVDS

**Note 1:** The LMK04010B device is not yet fully characterized and released.

### 4.0 Functional Block Diagram



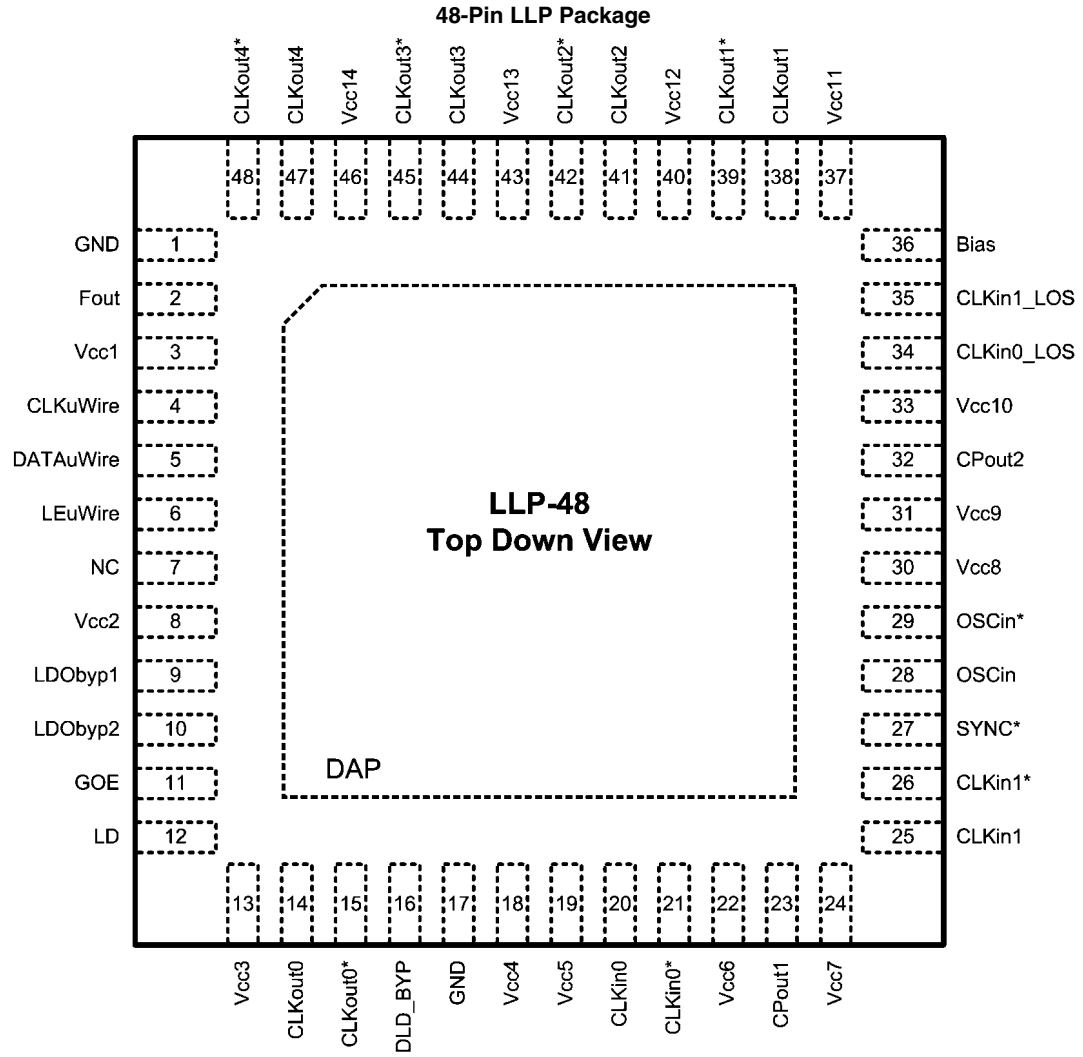
30027101

## Table of Contents

1.0 General Description .....	1
2.0 Features .....	1
3.0 Target Applications .....	1
4.0 Functional Block Diagram .....	3
5.0 Connection Diagram .....	6
6.0 Pin Descriptions .....	7
7.0 Absolute Maximum Ratings .....	9
8.0 Package Thermal Resistance .....	9
9.0 Recommended Operating Conditions .....	9
10.0 Electrical Characteristics .....	10
11.0 Serial Data Timing Diagram .....	22
12.0 Charge Pump Current Specification Definitions .....	22
12.1 CHARGE PUMP OUTPUT CURRENT MAGNITUDE VARIATION VS. CHARGE PUMP OUTPUT VOLTAGE .....	23
12.2 CHARGE PUMP SINK CURRENT VS. CHARGE PUMP OUTPUT SOURCE CURRENT MISMATCH .....	23
12.3 CHARGE PUMP OUTPUT CURRENT MAGNITUDE VARIATION VS. TEMPERATURE .....	23
13.0 Typical Performance Characteristics .....	24
13.1 CLOCK OUTPUT AC CHARACTERISTICS .....	24
14.0 Features .....	26
14.1 SYSTEM ARCHITECTURE .....	26
14.2 REDUNDANT REFERENCE INPUTS (CLKin0/CLKin0*, CLKin1/CLKin1*) .....	26
14.3 PLL1 CLKinX (X=0,1) LOSS OF SIGNAL (LOS) .....	26
14.4 INTEGRATED LOOP FILTER POLES .....	26
14.5 CLOCK DISTRIBUTION .....	26
14.6 CLKout DIVIDE (CLKoutX_DIV, X = 0 to 4) .....	26
14.7 CLKout DELAY (CLKoutX_DLY, X = 0 to 4) .....	26
14.8 GLOBAL CLOCK OUTPUT SYNCHRONIZATION (SYNC*) .....	26
14.9 GLOBAL OUTPUT ENABLE AND LOCK DETECT .....	26
15.0 Functional Description .....	27
15.1 ARCHITECTURAL OVERVIEW .....	27
15.2 PHASE DETECTOR 1 (PD1) .....	27
15.3 PHASE DETECTOR 2 (PD2) .....	27
15.4 PLL2 FREQUENCY DOUBLER .....	27
15.5 INPUTS / OUTPUTS .....	27
15.5.1 PLL1 Reference Inputs (CLKin0 / CLKin0*, CLKin1 / CLKin1*) .....	27
15.5.2 PLL2 OSCin / OSCin* Port .....	27
15.5.3 CPout1 / CPout2 .....	27
15.5.4 Fout .....	27
15.5.5 Digital Lock Detect 1 Bypass .....	28
15.5.6 Bias .....	28
16.0 General Programming Information .....	29
16.1 RECOMMENDED PROGRAMMING SEQUENCE .....	29
16.2 DEFAULT DEVICE REGISTER SETTINGS AFTER POWER ON/RESET .....	32
16.3 REGISTER R0 TO R4 .....	33
16.3.1 CLKoutX_DIV: Clock Channel Divide Registers .....	33
16.3.2 EN_CLKoutX: Clock Channel Output Enable .....	33
16.3.3 CLKoutX_DLY: Clock Channel Phase Delay Adjustment .....	33
16.3.4 CLKoutX/CLKoutX* LVCMOS Mode Control .....	33
16.3.5 CLKoutX/CLKoutX* LVPECL Mode Control .....	34
16.3.6 CLKoutX_MUX: Clock Output Mux .....	34
16.4 REGISTERS 5, 6 .....	34
16.5 REGISTER 7 .....	34
16.5.1 RESET bit .....	34
16.6 REGISTERS 8, 9 .....	34
16.7 REGISTER 10 .....	34
16.7.1 RC_DLD1_Start: PLL1 Digital Lock Detect Run Control bit .....	34
16.8 REGISTER 11 .....	34
16.8.1 CLKinX_BUFTYPE: PLL1 CLKinX/CLKinX* Buffer Mode Control .....	34
16.8.2 CLKin_SEL: PLL1 Reference Clock Selection and Revertive Mode Control Bits .....	35
16.8.3 CLKinX_LOS .....	35
16.8.4 PLL1 Reference Clock LOS Timeout Control .....	35
16.8.5 LOS Output Type Control .....	35
16.9 REGISTER 12 .....	35

16.9.1 PLL1_N: PLL1_N Counter .....	35
16.9.2 PLL1_R: PLL1_R Counter .....	36
16.9.3 PLL1 Charge Pump Current Gain (PLL1_CP_GAIN) and Polarity Control (PLL1_CP_POL) .....	36
16.10 REGISTER 13 .....	36
16.10.1 EN_PLL2_XTAL: Crystal Oscillator Option Enable .....	36
16.10.2 EN_Fout: Fout Power Down Bit .....	36
16.10.3 CLK Global Enable: Clock Global enable bit .....	36
16.10.4 POWERDOWN Bit -- Device Power Down .....	36
16.10.5 EN_PLL2_REF2X: PLL2 Frequency Doubler control bit .....	36
16.10.6 PLL2 Internal Loop Filter Component Values .....	36
16.10.7 PLL1 CP TRI-STATE and PLL2 CP TRI-STATE .....	37
16.11 REGISTER 14 .....	37
16.11.1 OSCin_FREQ: PLL2 Oscillator Input Frequency Register .....	37
16.11.2 PLL2_R: PLL2_R Counter .....	37
16.11.3 PLL_MUX: LD Pin Selectable Output .....	37
16.12 REGISTER 15 .....	38
16.12.1 PLL2_N: PLL2_N Counter .....	38
16.12.2 PLL2_CP_GAIN: PLL2 Charge Pump Current and Output Control .....	38
16.12.3 VCO_DIV: PLL2 VCO Divide Register .....	38
17.0 Application Information .....	39
17.1 SYSTEM LEVEL DIAGRAM .....	39
17.2 LDO BYPASS AND BIAS PIN .....	40
17.3 LOOP FILTER .....	40
17.4 CURRENT CONSUMPTION / POWER DISSIPATION CALCULATIONS .....	43
17.5 POWER SUPPLY CONDITIONING .....	43
17.6 THERMAL MANAGEMENT .....	43
17.7 OPTIONAL CRYSTAL OSCILLATOR IMPLEMENTATION (OSCin/OSCin*) .....	44
17.8 TERMINATION AND USE OF CLOCK OUTPUT (DRIVERS) .....	47
17.8.1 Termination for DC Coupled Differential Operation .....	47
17.8.2 Termination for AC Coupled Differential Operation .....	47
17.8.3 Termination for Single-Ended Operation .....	48
17.9 DRIVING CLKin AND OSCin INPUTS .....	49
17.9.1 Driving CLKin Pins with a Differential Source .....	49
17.9.2 Driving CLKin Pins with a Single-Ended Source .....	49
17.10 ADDITIONAL OUTPUTS WITH AN LMK04000 FAMILY DEVICE .....	49
17.11 OUTPUT CLOCK PHASE NOISE PERFORMANCE VS. VCXO PHASE NOISE .....	49
18.0 Physical Dimensions .....	53
19.0 Ordering Information .....	53

## 5.0 Connection Diagram



30027102

## 6.0 Pin Descriptions

Pin Number	Name(s)	I/O	Type	Description
1	GND		GND	Ground (For Fout Buffer)
2	Fout	O	ANLG	VCO Frequency Output Port
3	V <sub>CC</sub> 1		PWR	Power Supply for VCO Output Buffer
4	CLKuWire	I	CMOS	Microwire Clock Input
5	DATAuWire	I	CMOS	Microwire Data Input
6	LEuWire	I	CMOS	Microwire Latch Enable Input
7	NC			No Connection
8	V <sub>CC</sub> 2		PWR	Power Supply for VCO
9	LDObyp1		ANLG	LDO Bypass, bypassed to ground with 10 $\mu$ F and 0.1 $\mu$ F capacitor
10	LDObyp2		ANLG	LDO Bypass, bypassed to ground with a 0.1 $\mu$ F capacitor
11	GOE	I	CMOS	Global Output Enable
12	LD	O	CMOS	Lock Detect and PLL multiplexer Output
13	V <sub>CC</sub> 3		PWR	Power Supply for CLKout0
14	CLKout0	O	LVDS/LVPECL	Clock Channel 0 Output
15	CLKout0*	O	LVDS/LVPECL	Clock Channel 0* Output
16	DLD_BYP		ANLG	DLD Bypass, bypassed to ground with a 0.1 $\mu$ F capacitor
17	GND		GND	Ground (Digital)
18	V <sub>CC</sub> 4		PWR	Power Supply for Digital
19	V <sub>CC</sub> 5		PWR	Power Supply for CLKin buffers and PLL1 R-divider
20	CLKin0	I	ANLG	Reference Clock Input Port for PLL1 - AC or DC Coupled (Note 2)
21	CLKin0*	I	ANLG	Reference Clock Input Port for PLL1 (complimentary) - AC or DC Coupled (Note 2)
22	V <sub>CC</sub> 6		PWR	Power Supply for PLL1 Phase Detector and Charge Pump
23	CPout1	O	ANLG	Charge Pump1 Output
24	V <sub>CC</sub> 7		PWR	Power Supply for PLL1 N-Divider
25	CLKin1	I	ANLG	Reference Clock Input Port for PLL1 - AC or DC Coupled (Note 2)
26	CLKin1*	I	ANLG	Reference Clock Input Port for PLL1 (complimentary) - AC or DC Coupled (Note 2)
27	SYNC*	I	CMOS	Global Clock Output Synchronization
28	OSCIin	I	ANLG	Reference oscillator Input for PLL2 - AC Coupled
29	OSCIin*	I	ANLG	Reference oscillator Input for PLL2 - AC Coupled
30	V <sub>CC</sub> 8		PWR	Power Supply for OSCIin Buffer and PLL2 R-Divider
31	V <sub>CC</sub> 9		PWR	Power Supply for PLL2 Phase Detector and Charge Pump
32	CPout2	O	ANLG	Charge Pump2 Output
33	V <sub>CC</sub> 10		PWR	Power Supply for VCO Divider and PLL2 N-Divider
34	CLKin0_LOS	O	LVC MOS	Status of CLKin0 reference clock input
35	CLKin1_LOS	O	LVC MOS	Status of CLKin1 reference clock input
36	Bias	I	ANLG	Bias Bypass. AC coupled with 1 $\mu$ F capacitor to V <sub>CC</sub> 1
37	V <sub>CC</sub> 11		PWR	Power Supply for CLKout1
38	CLKout1	O	LVPECL/LVC MOS	Clock Channel 1 Output
39	CLKout1*	O	LVPECL/LVC MOS	Clock Channel 1* Output
40	V <sub>CC</sub> 12		PWR	Power Supply for CLKout2

Pin Number	Name(s)	I/O	Type	Description
41	CLKout2	O	LVPECL/LVCMOS	Clock Channel 2 Output
42	CLKout2*	O	LVPECL/LVCMOS	Clock Channel 2* Output
43	V <sub>CC</sub> 13		PWR	Power Supply for CLKout3
44	CLKout3	O	LVPECL	Clock Channel 3 Output
45	CLKout3*	O	LVPECL	Clock Channel 3* Output
46	V <sub>CC</sub> 14		PWR	Power Supply for CLKout4
47	CLKout4	O	LVDS/LVPECL	Clock Channel 4 Output
48	CLKout4*	O	LVDS/LVPECL	Clock Channel 4* Output
DAP	DAP			DIE ATTACH PAD, connect to GND

**Note 2:** The reference clock inputs may be either AC or DC coupled.



## 7.0 Absolute Maximum Ratings (Notes 3, 4, 5)

If Military/Aerospace specified devices are required, please contact the National Semiconductor Sales Office/ Distributors for availability and specifications.

Parameter	Symbol	Ratings	Units
Supply Voltage (Note 6)	$V_{CC}$	-0.3 to 3.6	V
Input Voltage	$V_{IN}$	-0.3 to ( $V_{CC} + 0.3$ )	V
Storage Temperature Range	$T_{STG}$	-65 to 150	°C
Lead Temperature (solder 4 sec)	$T_L$	+260	°C
Differential Input Current (CLKinX/X*, OSCin/OSCin*)	$I_{IN}$	± 5	mA

**Note 3:** "Absolute Maximum Ratings" indicate limits beyond which damage to the device may occur. Operating Ratings indicate conditions for which the device is intended to be functional, but do not guarantee specific performance limits. For guaranteed specifications and test conditions, see the Electrical Characteristics. The guaranteed specifications apply only to the test conditions listed.

**Note 4:** This device is a high performance RF integrated circuit with an ESD rating up to 8 KV Human Body Model, up to 300 V Machine Model and up to 1,250 V Charged Device Model and is ESD sensitive. Handling and assembly of this device should only be done at ESD-free workstations.

**Note 5:** Stresses in excess of the absolute maximum ratings can cause permanent or latent damage to the device. These are absolute stress ratings only. Functional operation of the device is only implied at these or any other conditions in excess of those given in the operation sections of the data sheet. Exposure to absolute maximum ratings for extended periods can adversely affect device reliability.

**Note 6:** Never to exceed 3.6 V.

## 8.0 Package Thermal Resistance

Package	$\theta_{JA}$	$\theta_{J-PAD}$ (Thermal Pad)
48-Lead LLP (Note 7)	27.4° C/W	5.8° C/W

**Note 7:** Specification assumes 16 thermal vias connect the die attach pad to the embedded copper plane on the 4-layer JEDEC board. These vias play a key role in improving the thermal performance of the LLP. It is recommended that the maximum number of vias be used in the board layout.

## 9.0 Recommended Operating Conditions

Parameter	Symbol	Condition	Min	Typical	Max	Unit
Ambient Temperature	$T_A$	$V_{CC} = 3.3 V$	-40	25	85	°C
Supply Voltage	$V_{CC}$		3.15	3.3	3.45	V

## 10.0 Electrical Characteristics

( $3.15\text{ V} \leq V_{CC} \leq 3.45\text{ V}$ ,  $-40\text{ }^\circ\text{C} \leq T_A \leq 85\text{ }^\circ\text{C}$ . Typical values represent most likely parametric norms at  $V_{CC} = 3.3\text{ V}$ ,  $T_A = 25\text{ }^\circ\text{C}$ , at the Recommended Operating Conditions at the time of product characterization and are not guaranteed.)

Symbol	Parameter	Conditions	Min	Typ	Max	Units
<b>Current Consumption</b>						
$I_{CC\_PD}$	Power Down Supply Current				1	mA
$I_{CC\_CLKS}$	Supply Current with all clocks enabled, all delay bypassed, Fout disabled. (Note 8)	LMK04000, LMK04001, LMK04002 (Note 9)		380	435	mA
		LMK04011 (Note 9)		378	435	
		LMK04031, LMK04033 (Note 9)		335	385	
<b>CLKin0/0* and CLKin1/1* Input Clock Specifications</b>						
$f_{CLKin}$	Clock Input Frequency (Note 10)	Manual Select mode	0.001		400	MHz
		Auto-Switching mode	1		400	
$SLEW_{CLKin}$	Slew Rate on CLKin (Note 11)	20% to 80%	0.15	0.5		V/ns
$V_{CLKin}$ (Bipolar input buffer mode)	Input Voltage Swing, single-ended input	AC coupled to CLKinX; CLKinX* AC coupled to Ground (CLKinX_TYPE=0)	0.25		2.0	Vpp
	Input Voltage Swing, differential input	CLKinX and CLKinX* are both driven, AC coupled. (CLKinX_TYPE=0)	0.5		3.1	Vpp
$V_{CLKin\text{-offset}}$ (Bipolar input buffer mode)	DC offset voltage between CLKinX/CLKinX* ICLKinX-CLKinX*I	Each pin AC coupled (CLKinX_TYPE=0)		44		mV
$V_{CLKin}$ (MOS input buffer mode)	Input Voltage Swing, single-ended input	AC coupled to CLKinX; CLKinX* AC coupled to Ground (CLKinX_TYPE=1)	0.25		2.0	Vpp
	Input Voltage Swing, differential input	CLKinX and CLKinX* are both driven, AC coupled. (CLKinX_TYPE=1)	0.5		3.1	Vpp
$V_{CLKin} - V_{IH}$ (MOS input buffer mode)	Maximum input voltage	DC coupled to CLKinX; CLKinX* AC coupled to Ground (CLKinX_TYPE=1)	2.0		$V_{CC}$	V
$V_{CLKin} - V_{IL}$ (MOS input buffer mode)		DC coupled to CLKinX; CLKinX* AC coupled to Ground (CLKinX_TYPE=1)	0.0		0.4	V
$V_{CLKin\text{-offset}}$ (MOS input buffer mode)	DC offset voltage between CLKinX/CLKinX* ICLKinX-CLKinX*I	Each pin AC coupled (CLKinX_TYPE=1)		294		mV

Symbol	Parameter	Conditions	Min	Typ	Max	Units
<b>PLL1 Specifications</b>						
$f_{PD}$	PLL1 Phase Detector Frequency				40	MHz
$I_{CPout1}$ SOURCE	PLL1 Charge Pump Source Current (Note 12)	$V_{CPout1} = V_{CC}/2$ , PLL1_CP_GAIN = 100b		25		$\mu$ A
		$V_{CPout1} = V_{CC}/2$ , PLL1_CP_GAIN = 101b		50		
		$V_{CPout1} = V_{CC}/2$ , PLL1_CP_GAIN = 110b		100		
		$V_{CPout1} = V_{CC}/2$ , PLL1_CP_GAIN = 111b		400		
		PLL1_CP_GAIN = 000b		NA		
		PLL1_CP_GAIN = 001b		NA		
		$V_{CPout1} = V_{CC}/2$ , PLL1_CP_GAIN = 010b		20		
$V_{CPout1} = V_{CC}/2$ , PLL1_CP_GAIN = 011b		80				
$I_{CPout1}$ SINK	PLL1 Charge Pump Sink Current (Note 12)	$V_{CPout1} = V_{CC}/2$ , PLL1_CP_GAIN = 100b		-25		$\mu$ A
		$V_{CPout1} = V_{CC}/2$ , PLL1_CP_GAIN = 101b		-50		
		$V_{CPout1} = V_{CC}/2$ , PLL1_CP_GAIN = 110b		-100		
		$V_{CPout1} = V_{CC}/2$ , PLL1_CP_GAIN = 111b		-400		
		PLL1_CP_GAIN = 000b		NA		
		PLL1_CP_GAIN = 001b		NA		
		$V_{CPout1} = V_{CC}/2$ , PLL1_CP_GAIN = 010b		-20		
$V_{CPout1} = V_{CC}/2$ , PLL1_CP_GAIN = 011b		-80				
$I_{CPout1}$ %MIS	Charge Pump Sink / Source Mismatch	$V_{CPout1} = V_{CC}/2$ , $T = 25\text{ }^{\circ}\text{C}$		3	10	%
$I_{CPout1} V_{TUNE}$	Magnitude of Charge Pump Current vs. Charge Pump Voltage Variation	$0.5\text{ V} < V_{CPout1} < V_{CC} - 0.5\text{ V}$ $T_A = 25\text{ }^{\circ}\text{C}$		4		%
$I_{CPout1}$ %TEMP	Charge Pump Current vs. Temperature Variation			4		%
PLL1 $I_{CPout1}$ TRI	Charge Pump TRI-STATE <sup>®</sup> Leakage Current	$0.5\text{ V} < V_{CPout} < V_{CC} - 0.5\text{ V}$			5	nA
<b>PLL2 Reference Input (OSCin) Specifications</b>						
$f_{OSCin}$	PLL2 Reference Input (Note 13)	EN_PLL2_REF 2X = 0 (Note 14)			250	MHz
		EN_PLL2_REF 2X = 1			50	
SLEW <sub>OSCin</sub>	PLL2 Reference Clock minimum slew rate on OSCin	20% to 80%	0.15	0.5		V/ns
$V_{OSCin}$ (Single-ended)	Input Voltage for OSCin or OSCin*	AC coupled; Single-ended (Unused pin AC coupled to GND)	0.2		2.0	V <sub>pp</sub>
$V_{OSCin}$ (Differential)	Differential voltage swing	AC coupled	0.4		3.1	V <sub>pp</sub>

Symbol	Parameter	Conditions	Min	Typ	Max	Units
<b>Crystal Oscillator Mode Specifications</b>						
$f_{XTAL}$	Crystal Frequency Range		6		20	MHz
ESR	Crystal Effective Series Resistance	$6 \text{ MHz} < F_{XTAL} < 20 \text{ MHz}$			100	Ohms
$P_{XTAL}$	Crystal Power Dissipation (Note 15)	Vectron VXB1 crystal, 12.288 MHz, $R_{ESR} < 40 \Omega$		200		$\mu\text{W}$
$C_{IN}$	Input Capacitance of LMK040xx OSCin port	-40 to +85 °C		6		pF
<b>PLL2 Phase Detector and Charge Pump Specifications</b>						
$f_{PD}$	Phase Detector Frequency				100	MHz
$I_{CPout}SOURCE$	PLL2 Charge Pump Source Current (Note 12)	$V_{CPout2}=V_{CC}/2$ , PLL2_CP_GAIN = 00b		100		$\mu\text{A}$
		$V_{CPout2}=V_{CC}/2$ , PLL2_CP_GAIN = 01b		400		
		$V_{CPout2}=V_{CC}/2$ , PLL2_CP_GAIN = 10b		1600		
		$V_{CPout2}=V_{CC}/2$ , PLL2_CP_GAIN = 11b		3200		
$I_{CPout}SINK$	PLL2 Charge Pump Sink Current (Note 12)	$V_{CPout2}=V_{CC}/2$ , PLL2_CP_GAIN = 00b		-100		$\mu\text{A}$
		$V_{CPout2}=V_{CC}/2$ , PLL2_CP_GAIN = 01b		-400		
		$V_{CPout2}=V_{CC}/2$ , PLL2_CP_GAIN = 10b		-1600		
		$V_{CPout2}=V_{CC}/2$ , PLL2_CP_GAIN = 11b		-3200		
$I_{CPout2}\%MIS$	Charge Pump Sink/Source Mismatch	$V_{CPout2}=V_{CC}/2$ , $T_A = 25 \text{ }^\circ\text{C}$		3	10	%
$I_{CPout2}V_{TUNE}$	Magnitude of Charge Pump Current vs. Charge Pump Voltage Variation	$0.5 \text{ V} < V_{CPout2} < V_{CC} - 0.5 \text{ V}$ $T_A = 25 \text{ }^\circ\text{C}$		4		%
$I_{CPout2}\%TEMP$	Charge Pump Current vs. Temperature Variation			4		%
$I_{CPout2}TRI$	Charge Pump Leakage	$0.5 \text{ V} < V_{CPout2} < V_{CC} - 0.5 \text{ V}$			10	nA
PN10kHz	PLL 1/f Noise at 10 kHz offset (Note 16). Normalized to 1 GHz Output Frequency	PLL2_CP_GAIN = 400 $\mu\text{A}$		-117		dBc/Hz
		PLL2_CP_GAIN = 3200 $\mu\text{A}$		-122		
PN1Hz	Normalized Phase Noise Contribution (Note 17)	PLL2_CP_GAIN = 400 $\mu\text{A}$		-219		dBc/Hz
		PLL2_CP_GAIN = 3200 $\mu\text{A}$		-224		

Symbol	Parameter	Conditions	Min	Typ	Max	Units
<b>Internal VCO Specifications</b>						
$f_{VCO}$	VCO Tuning Range	LMK040x0	1185		1296	MHz
		LMK040x1	1430		1570	
		LMK040x2	1600		1750	
		LMK040x3	1840		2160	
$P_{VCO}$	VCO Output power to a 50 $\Omega$ load driven by Fout	LMK040x0, $T_A = 25^\circ\text{C}$ , single-ended		3		dBm
		LMK040x1, $T_A = 25^\circ\text{C}$ , single-ended		3		
		LMK040x2, $T_A = 25^\circ\text{C}$ , single-ended		2		
		LMK040x3, $T_A = 25^\circ\text{C}$ , single-ended 1840 MHz		0		
		LMK040x3, $T_A = 25^\circ\text{C}$ , single-ended 2160 MHz		-5		
$K_{VCO}$	Fine Tuning Sensitivity (The range displayed in the typical column indicates the lower sensitivity is typical at the lower end of the tuning range, and the higher tuning sensitivity is typical at the higher end of the tuning range).	LMK040x0		7 to 9		MHz/V
		LMK040x1		8 to 11		
		LMK040x2		9 to 14		
		LMK040x3		14 to 26		
$ \Delta T_{CL} $	Allowable Temperature Drift for Continuous Lock (Note 18)	After programming R15 for lock, no changes to output configuration are permitted to guarantee continuous lock			125	$^\circ\text{C}$

Symbol	Parameter	Conditions	Min	Typ	Max	Units
<b>Internal VCO Open Loop Phase Noise and Jitter</b>						
$L(f)_{Fout}$	LMK040x0 $f_{VCO} = 1185$ MHz SSB Phase Noise PLL2 = Open Loop Measured at Fout	Offset = 1 kHz		-66		dBc/Hz
		Offset = 10 kHz		-94		
		Offset = 100 kHz		-119		
		Offset = 1 MHz		-139		
		Offset = 10 MHz		-158		
		Offset = 20 MHz		-163		
	LMK040x0 $f_{VCO} = 1296$ MHz SSB Phase Noise PLL2 = Open Loop Measured at Fout	Offset = 1 kHz		-64		dBc/Hz
		Offset = 10 kHz		-91		
		Offset = 100 kHz		-117		
		Offset = 1 MHz		-138		
		Offset = 10 MHz		-157		
		Offset = 20 MHz		-161		
	LMK040x1 $f_{VCO} = 1440$ MHz SSB Phase Noise PLL2 = Open Loop Measured at Fout	Offset = 1 kHz		-61		dBc/Hz
		Offset = 10 kHz		-91		
		Offset = 100 kHz		-117		
		Offset = 1 MHz		-138		
		Offset = 10 MHz		-158		
		Offset = 20 MHz		-160		
	LMK040x1 $f_{VCO} = 1560$ MHz SSB Phase Noise PLL2 = Open Loop Measured at Fout	Offset = 1 kHz		-58		dBc/Hz
		Offset = 10 kHz		-89		
		Offset = 100 kHz		-115		
		Offset = 1 MHz		-137		
		Offset = 10 MHz		-157		
		Offset = 20 MHz		-162		
	LMK040x2 $f_{VCO} = 1600$ MHz SSB Phase Noise PLL2 = Open Loop Measured at Fout	Offset = 1 kHz		-63		dBc/Hz
		Offset = 10 kHz		-91		
		Offset = 100 kHz		-115		
		Offset = 1 MHz		-137		
		Offset = 10 MHz		-156		
		Offset = 20 MHz		-161		
LMK040x2 $f_{VCO} = 1750$ MHz SSB Phase Noise PLL2 = Open Loop Measured at Fout	Offset = 1 kHz		-61		dBc/Hz	
	Offset = 10 kHz		-90			
	Offset = 100 kHz		-114			
	Offset = 1 MHz		-136			
	Offset = 10 MHz		-155			
	Offset = 20 MHz		-160			
LMK040x3 $f_{VCO} = 1840$ MHz SSB Phase Noise PLL2 = Open Loop Measured at Fout	Offset = 1 kHz		-58		dBc/Hz	
	Offset = 10 kHz		-88			
	Offset = 100 kHz		-113			
	Offset = 1 MHz		-135			
	Offset = 10 MHz		-155			
	Offset = 20 MHz		-158			
LMK040x3 $f_{VCO} = 2160$ MHz SSB Phase Noise PLL2 = Open Loop Measured at Fout	Offset = 1 kHz		-54		dBc/Hz	
	Offset = 10 kHz		-84			
	Offset = 100 kHz		-110			
	Offset = 1 MHz		-132			
	Offset = 10 MHz		-154			
	Offset = 20 MHz		-157			

Symbol	Parameter	Conditions	Min	Typ	Max	Units
<b>Internal VCO Closed Loop Phase Noise and Jitter Specifications using an Instrumentation Quality VCXO</b>						
$L(f)_{Fout}$	LMK040x0 (Note 19) $f_{VCO} = 1200$ MHz SSB Phase Noise PLL2 = Closed Loop Measured at Fout	Offset = 1 kHz		-111		dBc/Hz
		Offset = 10kHz		-119		
		Offset = 100 kHz		-121		
		Offset = 1 MHz		-133		
		Offset = 10 MHz		-157		
		Offset = 20 MHz		-162		
		Offset = 40 MHz		-165		
	LMK040x1 (Note 20) $f_{VCO} = 1500$ MHz SSB Phase Noise PLL2 = Closed Loop Measured at Fout	Offset = 1 kHz		-110		dBc/Hz
		Offset = 10 kHz		-117		
		Offset = 100 kHz		-120		
		Offset = 1 MHz		-132		
		Offset = 10 MHz		-156		
		Offset = 20 MHz		-160		
	LMK040x2 (Note 21) $f_{VCO} = 1600$ MHz SSB Phase Noise PLL2 = Closed Loop Measured at Fout	Offset = 1 kHz		-111		dBc/Hz
		Offset = 10 kHz		-118		
		Offset = 100 kHz		-120		
		Offset = 1 MHz		-132		
		Offset = 10 MHz		-156		
		Offset = 20 MHz		-162		
	LMK040x3 (Note 22) $f_{VCO} = 2000$ MHz SSB Phase Noise PLL2 = Closed Loop Measured at Fout	Offset = 1 kHz		-107		dBc/Hz
		Offset = 10 kHz		-114		
		Offset = 100 kHz		-117		
		Offset = 1 MHz		-126		
		Offset = 10 MHz		-152		
Offset = 20 MHz			-156			
$J_{Fout}$	LMK040x0 (Note 19) $f_{VCO} = 1200$ MHz Integrated RMS Jitter	BW = 12 kHz to 20 MHz		105		fs
		BW = 100 Hz to 20 MHz		110		
	LMK040x1 (Note 20) $f_{VCO} = 1500$ MHz Integrated RMS Jitter	BW = 12 kHz to 20 MHz		100		
		BW = 100 Hz to 20 MHz		105		
	LMK040x2 (Note 21) $f_{VCO} = 1600$ MHz Integrated RMS Jitter	BW = 12 kHz to 20 MHz		95		
		BW = 100 Hz to 20 MHz		100		
	LMK040x3 (Note 22) $f_{VCO} = 2000$ MHz Integrated RMS Jitter	BW = 12 kHz to 20 MHz		105		
		BW = 100 Hz to 20 MHz		110		

Symbol	Parameter	Conditions	Min	Typ	Max	Units
<b>CLKout's Internal VCO Closed Loop Phase Noise and Jitter Specifications using an Instrumentation Quality VCXO</b>						
$L(f)_{CLKout}$	LMK040x0 (Note 23) $f_{CLKout} = 250$ MHz SSB Phase Noise Measured at Clock Outputs Value is average for all output types	Offset = 1 kHz		-125		dBc/Hz
		Offset = 10 kHz		-130		
		Offset = 100 kHz		-132		
		Offset = 1 MHz		-148		
	LMK040x1 (Note 24) $f_{CLKout} = 250$ MHz SSB Phase Noise Measured at Clock Outputs Value is average for all output types	Offset = 10 MHz		-157		
		Offset = 1 kHz		-126		
		Offset = 10 kHz		-133		
		Offset = 100 kHz		-136		
	LMK040x2 (Note 25) $f_{CLKout} = 250$ MHz SSB Phase Noise Measured at Clock Outputs Value is average for all output types	Offset = 1 MHz		-147		
		Offset = 10 MHz		-156		
		Offset = 1 kHz		-127		
		Offset = 10 kHz		-133		
	LMK040x3 (Note 26) $f_{CLKout} = 250$ MHz SSB Phase Noise Measured at Clock Outputs Value is average for all output types	Offset = 100 kHz		-134		
		Offset = 1 MHz		-145		
		Offset = 10 MHz		-157		
		Offset = 1 kHz		-125		
$J_{CLKout}$ LVPECL/2VPECL/LVDS	LMK040x0 (Note 23) $f_{CLKout} = 250$ MHz Integrated RMS Jitter	BW = 12 kHz to 20 MHz		130		fs
		BW = 100 Hz to 20 MHz		135		
	LMK040x1 (Note 24) $f_{CLKout} = 250$ MHz Integrated RMS Jitter	BW = 12 kHz to 20 MHz		115		
		BW = 100 Hz to 20 MHz		120		
	LMK040x2 (Note 25) $f_{CLKout} = 250$ MHz Integrated RMS Jitter	BW = 12 kHz to 20 MHz		130		
		BW = 100 Hz to 20 MHz		135		
	LMK040x3 (Note 26) $f_{CLKout} = 250$ MHz Integrated RMS Jitter	BW = 12 kHz to 20 MHz		125		
		BW = 100 Hz to 20 MHz		130		
$J_{CLKout}$ LVCMOS	LMK040x0 (Note 23) $f_{CLKout} = 250$ MHz Integrated RMS Jitter	BW = 12 kHz to 20 MHz		140		fs
		BW = 100 Hz to 20 MHz		145		
	LMK040x1 (Note 24) $f_{CLKout} = 250$ MHz Integrated RMS Jitter	BW = 12 kHz to 20 MHz		110		
		BW = 100 Hz to 20 MHz		115		
	LMK040x2 (Note 25) $f_{CLKout} = 250$ MHz Integrated RMS Jitter	BW = 12 kHz to 20 MHz		130		
		BW = 100 Hz to 20 MHz		135		
	LMK040x3 (Note 26) $f_{CLKout} = 250$ MHz Integrated RMS Jitter	BW = 12 kHz to 20 MHz		120		
		BW = 100 Hz to 20 MHz		125		



Symbol	Parameter	Conditions	Min	Typ	Max	Units
<b>CLKout's Internal VCO Closed Loop Jitter Specifications using a Commercial Quality VCXO</b>						
$J_{\text{CLKout}}$ LVPECL/2VPECL	LMK040x0 (Notes 27, 31) $f_{\text{CLKout}} = 250 \text{ MHz}$ Integrated RMS Jitter	BW = 12 kHz to 20 MHz		140	200	fs
		BW = 100 Hz to 20 MHz		185		
	LMK040x1 (Notes 28, 31) $f_{\text{CLKout}} = 250 \text{ MHz}$ Integrated RMS Jitter	BW = 12 kHz to 20 MHz		130	200	
		BW = 100 Hz to 20 MHz		190		
	LMK040x2 (Notes 29, 31) $f_{\text{CLKout}} = 250 \text{ MHz}$ Integrated RMS Jitter	BW = 12 kHz to 20 MHz		150	200	
		BW = 100 Hz to 20 MHz		190		
LMK040x3 (Notes 30, 31) $f_{\text{CLKout}} = 250 \text{ MHz}$ Integrated RMS Jitter	BW = 12 kHz to 20 MHz		145	200		
	BW = 100 Hz to 20 MHz		200			
$J_{\text{CLKout}}$ LVDS	LMK040x1 (Note 28) $f_{\text{CLKout}} = 250 \text{ MHz}$ Integrated RMS Jitter	BW = 12 kHz to 20 MHz		130		fs
		BW = 100 Hz to 20 MHz		190		
	LMK040x3 (Note 30) $f_{\text{CLKout}} = 250 \text{ MHz}$ Integrated RMS Jitter	BW = 12 kHz to 20 MHz		145		
		BW = 100 Hz to 20 MHz		200		
$J_{\text{CLKout}}$ LVCMOS	LMK040x0 (Note 27) $f_{\text{CLKout}} = 250 \text{ MHz}$ Integrated RMS Jitter	BW = 12 kHz to 20 MHz		150		fs
		BW = 100 Hz to 20 MHz		190		
	LMK040x1 (Note 28) $f_{\text{CLKout}} = 250 \text{ MHz}$ Integrated RMS Jitter	BW = 12 kHz to 20 MHz		125		
		BW = 100 Hz to 20 MHz		185		
	LMK040x2 (Note 29) $f_{\text{CLKout}} = 250 \text{ MHz}$ Integrated RMS Jitter	BW = 12 kHz to 20 MHz		150		
		BW = 100 Hz to 20 MHz		190		
	LMK040x3 (Note 30) $f_{\text{CLKout}} = 250 \text{ MHz}$ Integrated RMS Jitter	BW = 12 kHz to 20 MHz		145		
		BW = 100 Hz to 20 MHz		195		

Symbol	Parameter	Conditions	Min	Typ	Max	Units
<b>CLKout's Internal VCO Closed Loop Jitter Specifications using the Integrated Low Noise Crystal Oscillator Circuit</b>						
$J_{CLKout}$ LVPECL/2VPECL/LVDS	LMK040x0 (Note 32) $f_{CLKout} = 245.76$ MHz Integrated RMS Jitter	BW = 12 kHz to 20 MHz		190		fs
		BW = 100 Hz to 20 MHz		230		
	LMK040x1 (Note 33) $f_{CLKout} = 245.76$ MHz Integrated RMS Jitter	BW = 12 kHz to 20 MHz		200		
		BW = 100 Hz to 20 MHz		230		
	LMK040x2 (Note 34) $f_{CLKout} = 245.76$ MHz Integrated RMS Jitter	BW = 12 kHz to 20 MHz		195		
		BW = 100 Hz to 20 MHz		230		
	LMK040x3 (Note 35) $f_{CLKout} = 245.76$ MHz Integrated RMS Jitter	BW = 12 kHz to 20 MHz		245		
		BW = 100 Hz to 20 MHz		260		
$J_{CLKout}$ LVCMOS	LMK040x0 (Note 32) $f_{CLKout} = 245.76$ MHz Integrated RMS Jitter	BW = 12 kHz to 20 MHz		195		fs
		BW = 100 Hz to 20 MHz		230		
	LMK040x1 (Note 33) $f_{CLKout} = 245.76$ MHz Integrated RMS Jitter	BW = 12 kHz to 20 MHz		195		
		BW = 100 Hz to 20 MHz		220		
	LMK040x2 (Note 34) $f_{CLKout} = 245.76$ MHz Integrated RMS Jitter	BW = 12 kHz to 20 MHz		195		
		BW = 100 Hz to 20 MHz		230		
	LMK040x3 (Note 35) $f_{CLKout} = 245.76$ MHz Integrated RMS Jitter	BW = 12 kHz to 20 MHz		240		
		BW = 100 Hz to 20 MHz		260		

Symbol	Parameter	Conditions	Min	Typ	Max	Units
<b>Digital Inputs (CLKuWire, DATAuWire, LEuWire)</b>						
$V_{IH}$	High-Level Input Voltage		1.6		$V_{CC}$	V
$V_{IL}$	Low-Level Input Voltage				0.4	V
$I_{IH}$	High-Level Input Current	$V_{IH} = V_{CC}$	-5		25	$\mu A$
$I_{IL}$	Low-Level Input Current	$V_{IL} = 0$	-5.0		5.0	$\mu A$
<b>Digital Inputs (GOE, SYNC*)</b>						
$V_{IH}$	High-Level Input Voltage		1.6		$V_{CC}$	V
$V_{IL}$	Low-Level Input Voltage				0.4	V
$I_{IH}$	High-Level Input Current	$V_{IH} = V_{CC}$	-5.0		5.0	$\mu A$
$I_{IL}$	Low-Level Input Current	$V_{IL} = 0$	-40.0		5.0	$\mu A$
<b>Digital Outputs (CLKinX_LOS, LD)</b>						
$V_{OH}$	High-Level Output Voltage	$I_{OH} = -500 \mu A$	$V_{CC} - 0.4$			V
$V_{OL}$	Low-Level Output Voltage	$I_{OL} = 500 \mu A$			0.4	V

Symbol	Parameter	Conditions	Min	Typ	Max	Units
<b>Default Power On Reset Clock Output Frequency</b>						
$f_{\text{CLKout-startup}}$	Default output clock frequency at device power on	CLKout2, LM040x0		50		MHz
		CLKout2, LM040x1		62		
		CLKout2, LM040x2		68		
		CLKout2, LM040x3		81		
<b>LVDS Clock Outputs (CLKoutX)</b>						
$f_{\text{CLKout}}$	Maximum Frequency (Note 36)	$R_L = 100 \Omega$	1080			MHz
$T_{\text{SKEW}}$	CLKoutX to CLKoutY (Note 37)	LVDS-LVDS, $T = 25^\circ\text{C}$ , $F_{\text{CLK}} = 800 \text{ MHz}$ , $R_L = 100 \Omega$			30	ps
$V_{\text{OD}}$	Differential Output Voltage	$R = 100 \Omega$ differential termination, AC coupled to receiver input, $F_{\text{CLK}} = 800 \text{ MHz}$ , $T = 25^\circ\text{C}$	250	350	450	mV
$\Delta V_{\text{OD}}$	Change in Magnitude of $V_{\text{OD}}$ for complementary output states		-50		50	mV
$V_{\text{OS}}$	Output Offset Voltage		1.125	1.25	1.375	V
$\Delta V_{\text{OS}}$	Change in $V_{\text{OS}}$ for complementary output states				35	ImVl
$I_{\text{SA}}$ $I_{\text{SB}}$	Output short circuit current - single ended	Single-ended output shorted to GND, $T = 25^\circ\text{C}$	-24		24	mA
$I_{\text{SAB}}$	Output short circuit current - differential	Complimentary outputs tied together	-12		12	mA
<b>LVPECL Clock Outputs (CLKoutX) (Note 38)</b>						
$f_{\text{CLKout}}$	Maximum Frequency (Note 36)		1080			MHz
$T_{\text{SKEW}}$	CLKoutX to CLKoutY (Note 37)	LVPECL-to-LVPECL, $T = 25^\circ\text{C}$ , $F_{\text{CLK}} = 800 \text{ MHz}$ , each output terminated with $120 \Omega$ to GND.			40	ps
$V_{\text{OH}}$	Output High Voltage	$F_{\text{CLK}} = 100 \text{ MHz}$ , $T = 25^\circ\text{C}$ Termination = $50 \Omega$ to $V_{\text{CC}} - 2 \text{ V}$		$V_{\text{CC}} - 0.93$		V
$V_{\text{OL}}$	Output Low Voltage			$V_{\text{CC}} - 1.82$		V
$V_{\text{OD}}$	Output Voltage		660	890	965	mV
<b>2VPECL Clock Outputs (CLKoutX)</b>						
$f_{\text{CLKout}}$	Maximum Frequency (Note 36)		1080			MHz
$T_{\text{SKEW}}$	CLKoutX to CLKoutY (Note 37)	2VPECL-2VPECL, $T=25^\circ\text{C}$ , $F_{\text{CLK}} = 800 \text{ MHz}$ , each output terminated with $120 \Omega$ to GND.			40	ps
$V_{\text{OH}}$	Output High Voltage	$F_{\text{CLK}} = 100 \text{ MHz}$ , $T = 25^\circ\text{C}$ Termination = $50 \Omega$ to $V_{\text{CC}} - 2 \text{ V}$		$V_{\text{CC}} - 0.95$		V
$V_{\text{OL}}$	Output Low Voltage			$V_{\text{CC}} - 1.98$		V
$V_{\text{OD}}$	Output Voltage		800	1030	1200	mV

Symbol	Parameter	Conditions	Min	Typ	Max	Units
<b>LVC MOS Clock Outputs (CLKoutX)</b>						
$f_{CLKout}$	Maximum Frequency	5 pF Load	250			MHz
$V_{OH}$	Output High Voltage	1 mA Load	$V_{CC} - 0.1$			V
$V_{OL}$	Output Low Voltage	1 mA Load			0.1	V
$I_{OH}$	Output High Current (Source)	$V_{CC} = 3.3\text{ V}$ , $V_O = 1.65\text{ V}$		28		mA
$I_{OL}$	Output Low Current (Sink)	$V_{CC} = 3.3\text{ V}$ , $V_O = 1.65\text{ V}$		28		mA
$T_{SKEW}$	Skew between any two LVC MOS outputs, same channel or different channel	$R_L = 50\ \Omega$ , $C_L = 10\text{ pF}$ , $T = 25\ ^\circ\text{C}$ , $F_{CLK} = 100\text{ MHz}$ . (Note 37)			100	ps
$DUTY_{CLK}$	Output Duty Cycle	$V_{CC}/2$ to $V_{CC}/2$ , $F_{CLK} = 100\text{ MHz}$ , $T = 25\ ^\circ\text{C}$ (Note 39)	45	50	55	%
$T_R$	Output Rise Time	20% to 80%, $R_L = 50\ \Omega$ , $C_L = 5\text{ pF}$		400		ps
$T_F$	Output Fall Time	80% to 20%, $R_L = 50\ \Omega$ , $C_L = 5\text{ pF}$		400		ps
<b>Mixed Clock Skew</b>						
$T_{SKEW}\text{ ChanX} - \text{ChanY}$	LVPECL to LVDS skew	Same device, $T = 25\ ^\circ\text{C}$ , 250 MHz		-230		ps
	LVDS to LVC MOS skew	Same device, $T = 25\ ^\circ\text{C}$ , 250 MHz		770		ps
	LVC MOS to LVPECL skew	Same device, $T = 25\ ^\circ\text{C}$ , 250 MHz		-540		ps
<b>Microwire Interface Timing</b>						
$T_{CS}$	Data to Clock Set Up Time	See Microwire Input Timing	25			ns
$T_{CH}$	Data to Clock Hold Time	See Microwire Input Timing	8			ns
$T_{CWH}$	Clock Pulse Width High	See Microwire Input Timing	25			ns
$T_{CWL}$	Clock Pulse Width Low	See Microwire Input Timing	25			ns
$T_{ES}$	Clock to Latch Enable Set Up Time	See Microwire Input Timing	25			ns
$T_{EW}$	Load Enable Pulse Width	See Microwire Input Timing	25			ns

**Note 8:** Load conditions for output clocks: LVPECL: 50  $\Omega$  to  $V_{CC}-2\text{ V}$ . 2VPECL: 50  $\Omega$  to  $V_{CC}-2.36\text{ V}$ . LVDS: 100  $\Omega$  differential. LVC MOS: 10 pF.

**Note 9:** Additional test conditions for  $I_{CC}$  limits: All clock delays disabled, CLKoutX\_DIV = 510, PLL1 and PLL2 locked. (See Table 31 for more information)

**Note 10:** CLKin0 and CLKin1 maximum of 400 MHz is guaranteed by characterization, production tested at 200 MHz.

**Note 11:** In order to meet the jitter performance listed in the subsequent sections of this data sheet, the minimum recommended slew rate for all input clocks is 0.5 V/ns. This is especially true for single-ended clocks. Phase noise performance will begin to degrade as the clock input slew rate is reduced. However, the device will function at slew rates down to the minimum listed. When compared to single-ended clocks, differential clocks (LVDS, LVPECL) will be less susceptible to degradation in phase noise performance at lower slew rates due to their common mode noise rejection. However, it is also recommended to use the highest possible slew rate for differential clocks to achieve optimal phase noise performance at the device outputs.

**Note 12:** This parameter is programmable

**Note 13:**  $F_{OSCIin}$  maximum frequency guaranteed by characterization. Production tested at 200 MHz.

**Note 14:** The EN\_PLL2\_REF2X bit (Register 13) enables/disables a frequency doubler mode for the PLL2 OSCin path.

**Note 15:** See Application Section discussion of Crystal Power Dissipation.

**Note 16:** A specification in modeling PLL in-band phase noise is the 1/f flicker noise,  $L_{PLL\_flicker}(f)$ , which is dominant close to the carrier. Flicker noise has a 10 dB/decade slope. PN10kHz is normalized to a 10 kHz offset and a 1 GHz carrier frequency.  $PN10kHz = L_{PLL\_flicker}(10\text{ kHz}) - 20\log(F_{out} / 1\text{ GHz})$ , where  $L_{PLL\_flicker}(f)$  is the single side band phase noise of only the flicker noise's contribution to total noise, L(f). To measure  $L_{PLL\_flicker}(f)$  it is important to be on the 10 dB/decade slope close to the carrier. A high compare frequency and a clean crystal are important to isolating this noise source from the total phase noise, L(f).  $L_{PLL\_flicker}(f)$  can be masked by the reference oscillator performance if a low power or noisy source is used. The total PLL inband phase noise performance is the sum of  $L_{PLL\_flicker}(f)$  and  $L_{PLL\_flat}(f)$ .

**Note 17:** A specification modeling PLL in-band phase noise. The normalized phase noise contribution of the PLL,  $L_{PLL\_flat}(f)$ , is defined as:  $PN1Hz = L_{PLL\_flat}(f) - 20\log(N) - 10\log(f_{COMP})$ .  $L_{PLL\_flat}(f)$  is the single side band phase noise measured at an offset frequency, f, in a 1 Hz bandwidth and  $f_{COMP}$  is the phase detector frequency of the synthesizer.  $L_{PLL\_flat}(f)$  contributes to the total noise, L(f).

**Note 18:** Maximum Allowable Temperature Drift for Continuous Lock is how far the temperature can drift in either direction from the value it was at the time that the R0 register was last programmed, and still have the part stay in lock. The action of programming the R0 register, even to the same value, activates a frequency calibration routine. This implies the part will work over the entire frequency range, but if the temperature drifts more than the maximum allowable drift for continuous lock, then it will be necessary to reload the R0 register to ensure it stays in lock. Regardless of what temperature the part was initially programmed at, the temperature can never drift outside the frequency range of -40  $^\circ\text{C}$  to 85  $^\circ\text{C}$  without violating specifications.

**Note 19:** For LMK040x0,  $f_{VCO} = 1200$  MHz. PLL1 is powered down. A 100 MHz Wenzel XO (model: 501-04623G) drives the OSCin input of PLL2. PLL2 parameters: VCO\_DIV = 3, N2 = 5, R2 = 1,  $F_{DET} = 100$  MHz, ICP2 = 1.6 mA, C1 = 22 pF, C2 = 5.6 nF, R2 = 1.8 k $\Omega$ , LBW = 268 kHz, PM = 75°. Wenzel XO phase noise: 100 Hz: -132 dBc/Hz; 1 kHz: -147 dBc/Hz; 10 kHz: -159 dBc/Hz; 100 kHz: -167 dBc/Hz.

**Note 20:** For LMK040x1,  $f_{VCO} = 1500$  MHz. PLL1 is powered down. A 100 MHz Wenzel XO (model: 501-04623G) drives the OSCin input of PLL2. PLL2 parameters: VCO\_DIV = 3, N2 = 5, R2 = 1,  $F_{DET} = 100$  MHz, ICP2 = 1.6 mA, C1 = 22 pF, C2 = 5.6 nF, R2 = 1.8 k $\Omega$ , LBW = 268 kHz, PM = 75°. Wenzel XO phase noise: 100 Hz: -132 dBc/Hz; 1 kHz: -147 dBc/Hz; 10 kHz: -159 dBc/Hz; 100 kHz: -167 dBc/Hz.

**Note 21:** For LMK040x2,  $f_{VCO} = 1600$  MHz. PLL1 is powered down. A 100 MHz Wenzel XO (model: 501-04623G) drives the OSCin input of PLL2. PLL2 parameters: VCO\_DIV = 2, N2 = 8, R2 = 1,  $F_{DET} = 100$  MHz, ICP2 = 1.6 mA, C1 = 22 pF, C2 = 5.6 nF, R2 = 1.8 k $\Omega$ , LBW = 252 kHz, PM = 76°. Wenzel XO phase noise: 100 Hz: -132 dBc/Hz; 1 kHz: -147 dBc/Hz; 10 kHz: -159 dBc/Hz; 100 kHz: -167 dBc/Hz.

**Note 22:** For LMK040x3,  $f_{VCO} = 2000$  MHz. PLL1 is powered down. A 100 MHz Wenzel XO (model: 501-04623G) drives the OSCin input of PLL2. PLL2 parameters: VCO\_DIV = 2, N2 = 10, R2 = 1,  $F_{DET} = 100$  MHz, ICP2 = 1.6 mA, C1 = 22 pF, C2 = 5.6 nF, R2 = 1.8 k $\Omega$ , LBW = 434 kHz, PM = 69°. Wenzel XO phase noise: 100 Hz: -132 dBc/Hz; 1 kHz: -147 dBc/Hz; 10 kHz: -159 dBc/Hz; 100 kHz: -167 dBc/Hz.

**Note 23:** For LMK040x0,  $f_{VCO} = 1250$  MHz. PLL1 is powered down. A 100 MHz Wenzel XO (model: 501-04623G) drives the OSCin input of PLL2. PLL2 parameters: VCO\_DIV = 5, N2 = 5, R2 = 2,  $F_{DET} = 50$  MHz, ICP2 = 3.2 mA, C1 = 22 pF, C2 = 5.6 nF, R2 = 1.8 k $\Omega$ , LBW = 251 kHz, PM = 69°. Wenzel XO phase noise: 100 Hz: -132 dBc/Hz; 1 kHz: -147 dBc/Hz; 10 kHz: -159 dBc/Hz; 100 kHz: -167 dBc/Hz. CLKoutX\_DIV = Bypass. CLKout\_DLY = OFF.

**Note 24:** For LMK040x1,  $f_{VCO} = 1500$  MHz. PLL1 is powered down. A 100 MHz Wenzel XO (model: 501-04623G) drives the OSCin input of PLL2. PLL2 parameters: VCO\_DIV = 3, N2 = 5, R2 = 1,  $F_{DET} = 100$  MHz, ICP2 = 1.6 mA, C1 = 22 pF, C2 = 5.6 nF, R2 = 1.8 k $\Omega$ , LBW = 268 kHz, PM = 75°. Wenzel XO phase noise: 100 Hz: -132 dBc/Hz; 1 kHz: -147 dBc/Hz; 10 kHz: -159 dBc/Hz; 100 kHz: -167 dBc/Hz. CLKoutX\_DIV = 2. CLKout\_DLY = OFF.

**Note 25:** For LMK040x2,  $f_{VCO} = 1750$  MHz. PLL1 is powered down. A 100 MHz Wenzel XO (model: 501-04623G) drives the OSCin input of PLL2. PLL2 parameters: VCO\_DIV = 7, N2 = 5, R2 = 2,  $F_{DET} = 50$  MHz, ICP2 = 1.6 mA, C1 = 22 pF, C2 = 5.6 nF, R2 = 1.8 k $\Omega$ , LBW = 354 kHz, PM = 73°. Wenzel XO phase noise: 100 Hz: -132 dBc/Hz; 1 kHz: -147 dBc/Hz; 10 kHz: -159 dBc/Hz; 100 kHz: -167 dBc/Hz. CLKoutX\_DIV = Bypass. CLKout\_DLY = OFF.

**Note 26:** For LMK040x3,  $f_{VCO} = 2000$  MHz. PLL1 is powered down. A 100 MHz Wenzel XO (model: 501-04623G) drives the OSCin input of PLL2. PLL2 parameters: VCO\_DIV = 2, N2 = 10, R2 = 1,  $F_{DET} = 100$  MHz, ICP2 = 1.6 mA, C1 = 22 pF, C2 = 5.6 nF, R2 = 1.8 k $\Omega$ , LBW = 434 kHz, PM = 69°. Wenzel XO phase noise: 100 Hz: -132 dBc/Hz; 1 kHz: -147 dBc/Hz; 10 kHz: -159 dBc/Hz; 100 kHz: -167 dBc/Hz. CLKoutX\_DIV = 4. CLKout\_DLY = OFF.

**Note 27:** For LMK040x0,  $F_{VCO} = 1250$  MHz. PLL1 parameters:  $F_{DET} = 1$  MHz, ICP1 = 100  $\mu$ A, loop bandwidth = 20 Hz. A 100 MHz VCXO drives the OSCin input of PLL2. PLL2 parameters: VCO\_DIV = 5, N2 = 5, R2 = 2,  $F_{DET} = 50$  MHz, ICP2 = 3.2 mA, C1 = 0 pF, C2 = 12 nF, R2 = 1.8 k $\Omega$ , LBW = 254 kHz, PM = 81°. CLKDIST parameters: CLKoutX\_DIV = Bypass, CLKout\_DLY = OFF. VCXO phase noise: 100 Hz: -100 dBc/Hz; 1 kHz: -128 dBc/Hz; 10 kHz: -144 dBc/Hz; 100 kHz: -147 dBc/Hz.

**Note 28:** For LMK040x1,  $F_{VCO} = 1500$  MHz. PLL1 parameters:  $F_{DET} = 1$  MHz, ICP1 = 100  $\mu$ A, loop bandwidth = 20 Hz. A 100 MHz VCXO drives the OSCin input of PLL2. PLL2 parameters: VCO\_DIV = 3, N2 = 5, R2 = 1,  $F_{DET} = 100$  MHz, ICP2 = 1.6 mA, C1 = 0 pF, C2 = 12 nF, R2 = 1.8 k $\Omega$ , LBW = 271 kHz, PM = 80°. CLKDIST parameters: CLKoutX\_DIV = 2, CLKout\_DLY = OFF. VCXO phase noise: 100 Hz: -100 dBc/Hz; 1 kHz: -128 dBc/Hz; 10 kHz: -144 dBc/Hz; 100 kHz: -147 dBc/Hz.

**Note 29:** For LMK040x2,  $F_{VCO} = 1750$  MHz. PLL1 parameters:  $F_{DET} = 1$  MHz, ICP1 = 100  $\mu$ A, loop bandwidth = 20 Hz. A 100 MHz VCXO drives the OSCin input of PLL2. PLL2 parameters: VCO\_DIV = 7, N2 = 5, R2 = 2,  $F_{DET} = 50$  MHz, ICP2 = 3.2 mA, C1 = 0 pF, C2 = 12 nF, R2 = 1.8 k $\Omega$ , LBW = 360 kHz, PM = 79°. CLKDIST parameters: CLKoutX\_DIV = Bypass, CLKout\_DLY = OFF. VCXO phase noise: 100 Hz: -100 dBc/Hz; 1 kHz: -128 dBc/Hz; 10 kHz: -144 dBc/Hz; 100 kHz: -147 dBc/Hz.

**Note 30:** For LMK040x3,  $F_{VCO} = 2000$  MHz. PLL1 parameters:  $F_{DET} = 1$  MHz, ICP1 = 100  $\mu$ A, loop bandwidth = 20 Hz. A 100 MHz VCXO drives the OSCin input of PLL2. PLL2 parameters: VCO\_DIV = 2, N2 = 10, R2 = 1,  $F_{DET} = 100$  MHz, ICP2 = 1.6 mA, C1 = 0 pF, C2 = 12 nF, R2 = 1.8 k $\Omega$ , LBW = 445 kHz, PM = 76°. CLKDIST parameters: CLKoutX\_DIV = 4, CLKout\_DLY = OFF. VCXO phase noise: 100 Hz: -100 dBc/Hz; 1 kHz: -128 dBc/Hz; 10 kHz: -144 dBc/Hz; 100 kHz: -147 dBc/Hz.

**Note 31:** Max jitter specification applies to CH3 (LVPECL) output and guaranteed by test in production.

**Note 32:** For LMK040x0,  $F_{VCO} = 1228.8$  MHz. PLL1 parameters:  $F_{DET} = 1.024$  MHz, ICP1 = 100  $\mu$ A, loop bandwidth = 20 Hz. A 12.288 MHz Vectron crystal (model: VXB1-1127-12M288000) and tuning circuitry is used with on-chip XO circuitry. PLL2 parameters: VCO\_DIV = 5, N2 = 10, EN\_PLL2\_REF2X = 1,  $F_{DET} = 24.576$  MHz, ICP2 = 3.2 mA, C1 = 0 pF, C2 = 12 nF, R2 = 1.8 k $\Omega$ , R3 = 600  $\Omega$ , R4 = 10 k $\Omega$ , C3 = 150 pF, C4 = 60 pF, LBW = 109 kHz, PM = 43°, CLKoutX\_DIV = 2, CLKout\_DLY = OFF.

**Note 33:** For LMK040x1,  $F_{VCO} = 1474.56$  MHz. PLL1 parameters:  $F_{DET} = 1.024$  MHz, ICP1 = 100  $\mu$ A, loop bandwidth = 20 Hz. A 12.288 MHz Ecliptek crystal (model: ECX-6465) and tuning circuitry is used with on-chip XO circuitry. PLL2 parameters: VCO\_DIV = 3, N2 = 20, EN\_PLL2\_REF2X = 1,  $F_{DET} = 24.576$  MHz, ICP2 = 3.2 mA, C1 = 0 pF, C2 = 12 nF, R2 = 1.8 k $\Omega$ , R3 = 600  $\Omega$ , R4 = 10 k $\Omega$ , C3 = 150 pF, C4 = 60 pF, LBW = 103 kHz, PM = 44°, CLKoutX\_DIV = 2, CLKout\_DLY = OFF.

**Note 34:** For LMK040x2,  $F_{VCO} = 1720.32$  MHz. PLL1 parameters:  $F_{DET} = 1.024$  MHz, ICP1 = 100  $\mu$ A, loop bandwidth = 20 Hz. A 12.288 MHz Vectron crystal (model: VXB1-1127-12M288000) and tuning circuitry is used with on-chip XO circuitry. PLL2 parameters: VCO\_DIV = 7, N2 = 10, EN\_PLL2\_REF2X = 1,  $F_{DET} = 24.576$  MHz, ICP2 = 3.2 mA, C1 = 0 pF, C2 = 12 nF, R2 = 1.8 k $\Omega$ , R3 = 600  $\Omega$ , R4 = 10 k $\Omega$ , C3 = 150 pF, C4 = 60 pF, LBW = 120 kHz, PM = 40°, CLKoutX\_DIV = 2, CLKout\_DLY = OFF.

**Note 35:** For LMK040x3,  $F_{VCO} = 1966.08$  MHz. PLL1 parameters:  $F_{DET} = 1.024$  MHz, ICP1 = 100  $\mu$ A, loop bandwidth = 20 Hz. A 12.288 MHz Ecliptek crystal (model: ECX-6465) and tuning circuitry is used with on-chip XO circuitry. PLL2 parameters: VCO\_DIV = 4, N2 = 20, EN\_PLL2\_REF2X = 1,  $F_{DET} = 24.576$  MHz, ICP2 = 3.2 mA, C1 = 0 pF, C2 = 12 nF, R2 = 1.8 k $\Omega$ , R3 = 600  $\Omega$ , R4 = 10 k $\Omega$ , C3 = 150 pF, C4 = 60 pF, LBW = 91 kHz, PM = 47°, CLKoutX\_DIV = 2, CLKout\_DLY = OFF.

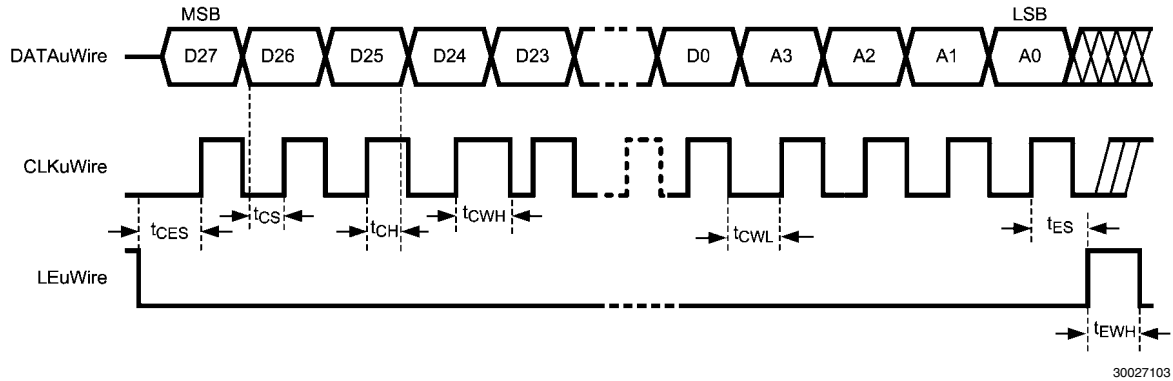
**Note 36:** For Clock output frequencies > 1 GHz, the maximum allowable clock delay is limited to  $\frac{1}{2}$  of a period, or,  $0.5/F_{CLKoutX}$ .

**Note 37:** Equal loading and identical channel configuration on each channel is required for specification to be valid. Specification not valid for delay mode.

**Note 38:** LVPECL/2VPECL is programmable for all NSIDs.

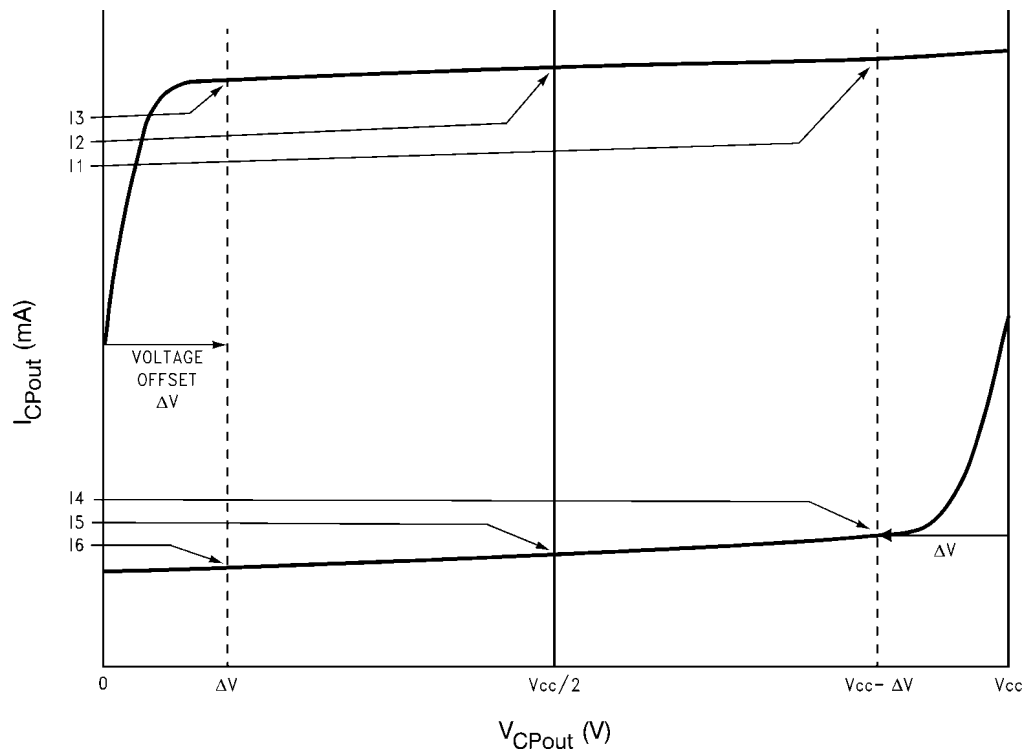
**Note 39:** Guaranteed by characterization.

## 11.0 Serial Data Timing Diagram



Register programming information on the DATAuWire pin is clocked into a shift register on each rising edge of the CLKuWire signal. On the rising edge of the LEuWire signal, the register is sent from the shift register to the register addressed. A slew rate of at least 30 V/ $\mu$ s is recommended for these signals. After programming is complete the CLKuWire, DATAuWire, and LEuWire signals should be returned to a low state. If the CLKuWire or DATAuWire lines are toggled while the VCO is in lock, as is sometimes the case when these lines are shared with other parts, the phase noise may be degraded during this programming.

## 12.0 Charge Pump Current Specification Definitions



- 11 = Charge Pump Sink Current at  $V_{CPout} = V_{CC} - \Delta V$
- 12 = Charge Pump Sink Current at  $V_{CPout} = V_{CC}/2$
- 13 = Charge Pump Sink Current at  $V_{CPout} = \Delta V$
- 14 = Charge Pump Source Current at  $V_{CPout} = V_{CC} - \Delta V$
- 15 = Charge Pump Source Current at  $V_{CPout} = V_{CC}/2$
- 16 = Charge Pump Source Current at  $V_{CPout} = \Delta V$

$\Delta V$  = Voltage offset from the positive and negative supply rails. Defined to be 0.5 V for this device.

### 12.1 CHARGE PUMP OUTPUT CURRENT MAGNITUDE VARIATION VS. CHARGE PUMP OUTPUT VOLTAGE

$$I_{CPout} \text{ Vs } V_{CPout} = \frac{|I1| - |I3|}{|I1| + |I3|} \times 100\%$$

$$= \frac{|I4| - |I6|}{|I4| + |I6|} \times 100\%$$

30027132

### 12.2 CHARGE PUMP SINK CURRENT VS. CHARGE PUMP OUTPUT SOURCE CURRENT MISMATCH

$$I_{CPout} \text{ Sink Vs } I_{CPout} \text{ Source} = \frac{|I2| - |I5|}{|I2| + |I5|} \times 100\%$$

30027133

### 12.3 CHARGE PUMP OUTPUT CURRENT MAGNITUDE VARIATION VS. TEMPERATURE

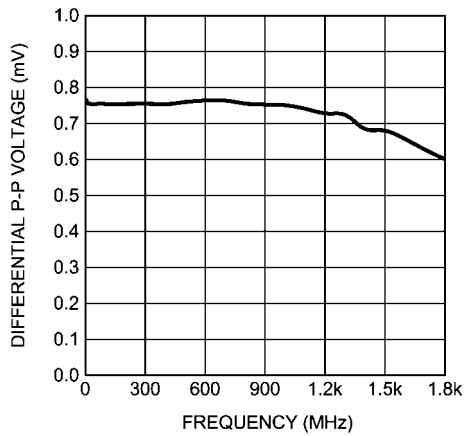
$$I_{CPout} \text{ Vs } T_A = \frac{|I2|_{T_A} - |I2|_{T_A = 25^\circ\text{C}}}{|I2|_{T_A = 25^\circ\text{C}}} \times 100\%$$

$$= \frac{|I5|_{T_A} - |I5|_{T_A = 25^\circ\text{C}}}{|I5|_{T_A = 25^\circ\text{C}}} \times 100\%$$

30027134

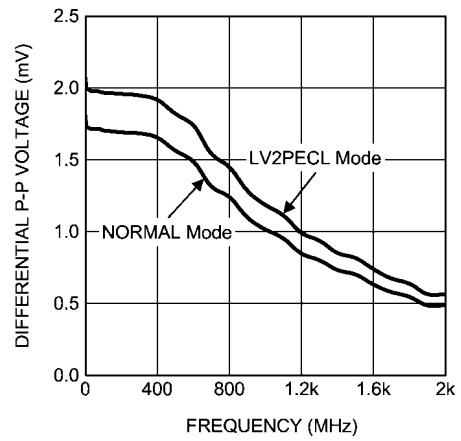
## 13.0 Typical Performance Characteristics

### 13.1 CLOCK OUTPUT AC CHARACTERISTICS



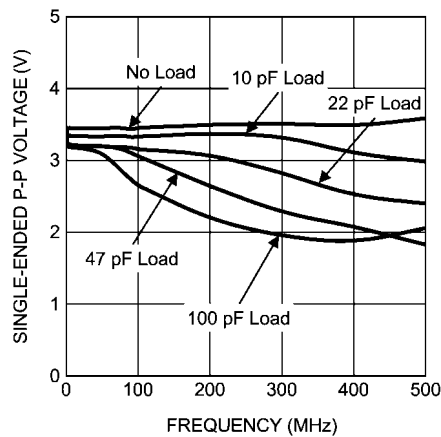
LVDS VOD vs. Frequency

30027146



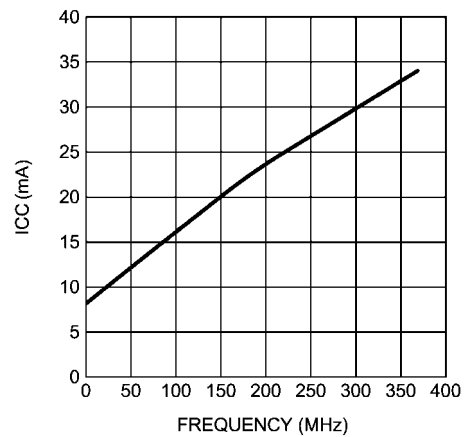
LVPECL VOD vs. Frequency

30027144



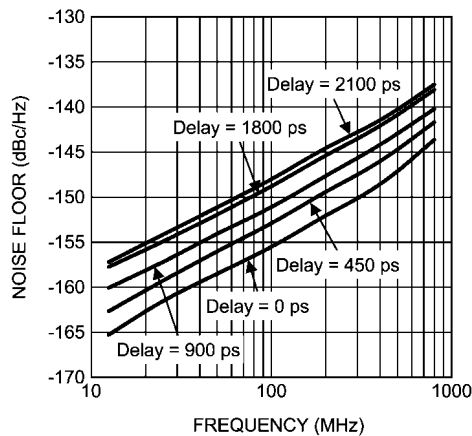
LVCMOS Vpp vs. Frequency

30027145



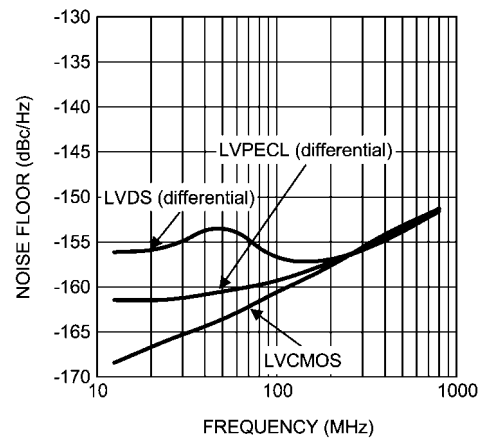
Typical Dynamic  $I_{CC}$ , LVCMOS Driver,  $V_{CC} = 3.3 V$ ,  
Temp = 25 °C, CL= 5 pF

30027162



Clock Channel Delay Noise Floor vs. Frequency (Note 41)

30027149



Clock Output Noise Floor vs. Frequency (Note 40)

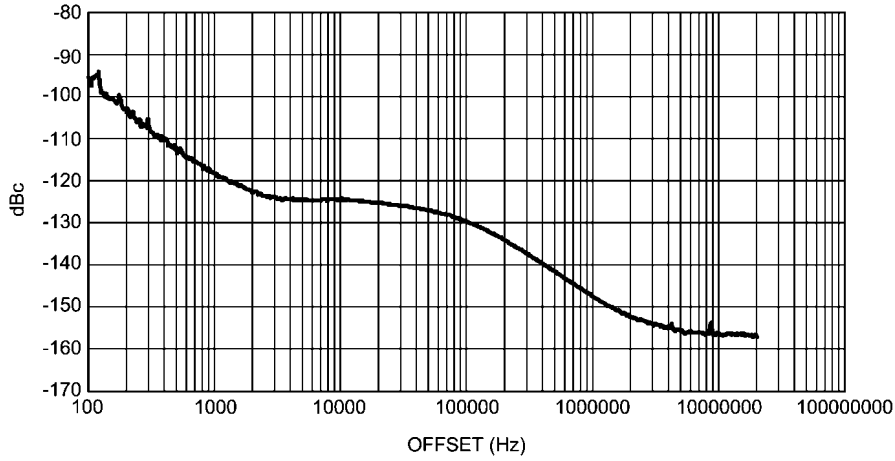
30027148

**Note 40:** To estimate this noise, only the output frequency is required. Divide value and input frequency are not relevant.

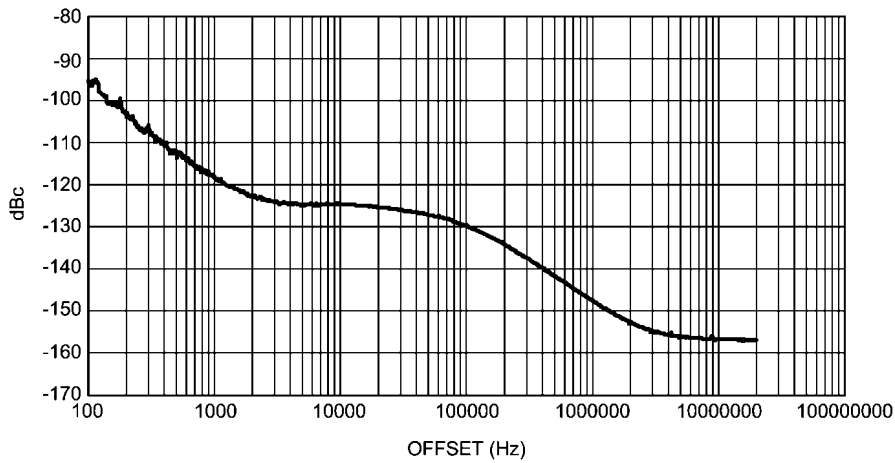
**Note 41:** The noise of the delay block is independent of output type and only applies if the delay is enabled. The noise floor, due to the distribution section accounting for the delay noise, can be calculated as: Total Output Noise =  $10 \times \log(10^{\text{Output Buffer Noise}/10} + 10^{\text{Delay Noise Floor}/10})$ .



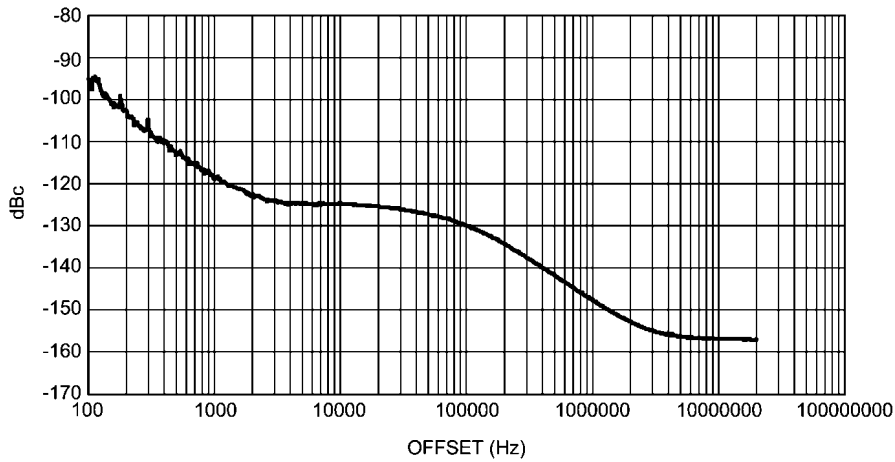
13.1 Clock Output AC Characteristics (continued)



Typical LVDS Phase Noise,  $F_{CLK} = 250$  MHz, RMS Jitter = 192 fs (100 Hz to 20 MHz) (Note 42) <sup>30027141</sup>



Typical LVPECL Phase Noise,  $F_{CLK} = 250$  MHz, RMS Jitter = 196 fs (100 Hz to 20 MHz) (Note 42) <sup>30027142</sup>



Typical LVCMOS Phase Noise,  $F_{CLK} = 250$  MHz, RMS Jitter = 188 fs (100 Hz to 20 MHz) (Note 42) <sup>30027143</sup>

**Note 42:** Reference clock = 10 MHz, PLL1\_R = 10, PLL1\_N = 100, PLL1\_CP\_GAIN = 100  $\mu$ A, PLL1 Loop BW = 20 Hz, VCXO = 100 MHz Crystek CVPD-920-100, PLL2\_R = 2, PLL2\_N = 10, PLL2\_CP\_GAIN = 1600  $\mu$ A, PLL2 Loop BW = 137 kHz,  $f_{VCO} = 1500$  MHz, VCO\_DIV = 3, CLKoutX\_DIV = 2, CLK\_DLY = OFF.

## 14.0 Features

### 14.1 SYSTEM ARCHITECTURE

The cascaded PLL architecture of the LMK040xx was chosen to provide the lowest jitter performance over the widest range of output frequencies and phase noise offset frequencies. The first stage PLL (PLL1) is used in conjunction with an external reference clock and an external VCXO to provide a frequency accurate, low phase noise reference clock for the second stage frequency multiplication PLL (PLL2). PLL1 typically uses a narrow loop bandwidth (10 Hz to 200 Hz) to retain the frequency accuracy of the reference clock input signal while at the same time suppressing the higher offset frequency phase noise that the reference clock may have accumulated along its path or from other circuits. The “cleaned” reference clock frequency accuracy is combined with the low phase noise of an external VCXO to provide the reference input to PLL2. The low phase noise reference provided to PLL2 allows it to use wider loop bandwidths (50 kHz to 200 kHz). The chosen loop bandwidth for PLL2 should take best advantage of the superior high offset frequency phase noise profile of the internal VCO and the good low offset frequency phase noise of the reference VCXO for PLL2. Ultra low jitter is achieved by allowing the external VCXO’s phase noise to dominate the final output phase noise at low offset frequencies and the internal VCO’s phase noise to dominate the final output phase noise at high offset frequencies. This results in best overall phase noise and jitter performance.

### 14.2 REDUNDANT REFERENCE INPUTS (CLKin0/CLKin0\*, CLKin1/CLKin1\*)

The LMK040xx has two LVDS/LVPECL/LVCMOS compatible reference clock inputs for PLL1, CLKin0 and CLKin1. The selection of the preferred input may be fixed to either CLKin0 or CLKin1, or may be configured to employ one of two automatic switching modes when redundant clock signals are present. The PLL1 reference clock input buffers may also be individually configured as either a CMOS buffered input or a bipolar buffered input.

### 14.3 PLL1 CLKinX (X=0,1) LOSS OF SIGNAL (LOS)

When either of the two auto-switching modes is selected for the reference clock input mode, the signal status of the selected reference clock input is indicated by the state of the CLKinX\_LOS (loss-of-signal) output. These outputs may be configured as either CMOS (active HIGH on loss-of-signal), NMOS open-drain or PMOS open-drain. If PLL1 was originally locked and then both reference clocks go away, then the frequency accuracy of the LMK04000 device will be set by the absolute tuning range of the VCXO used on PLL1. The absolute tuning range of the VCXO can be determined by multiplying its’ tuning constant by the charge pump voltage.

### 14.4 INTEGRATED LOOP FILTER POLES

The LMK040xx features programmable 3rd and 4th order loop filter poles for PLL2. When enabled, internal resistors and capacitor values may be selected from a fixed range of values to achieve either 3rd or 4th order loop filter response. These programmable components compliment external components mounted near the chip.

### 14.5 CLOCK DISTRIBUTION

The LMK040xx features a clock distribution block with a minimum of five outputs that are a mixture of LVPECL, 2VPECL, LVDS, and LVCMOS. The exact combination is determined by the part number. The 2VPECL is a National Semiconductor proprietary configuration that produces a 2 Vpp differential

swing for compatibility with many data converters. More than five outputs may be available for device versions that offer dual LVCMOS outputs.

### 14.6 CLKout DIVIDE (CLKoutX\_DIV, X = 0 to 4)

Each individual clock distribution channel includes a channel divider. The range of divide values is 2 to 510, in steps of 2. “Bypass” mode operates as a divide-by-1.

### 14.7 CLKout DELAY (CLKoutX\_DLY, X = 0 to 4)

Each individual clock distribution channel includes a delay adjustment. Clock output delay registers (CLKoutX\_DLY) support a nominal 150 ps step size and range from 0 to 2250 ps of total delay.

### 14.8 GLOBAL CLOCK OUTPUT SYNCHRONIZATION (SYNC\*)

The SYNC\* input is used to synchronize the active clock outputs. When SYNC\* is held in a logic low state, the outputs are also held in a logic low state. When SYNC\* goes high, the clock outputs are activated and will transition to a high state simultaneously with one another.

SYNC\* must be held low for greater than one clock cycle of the Clock Distribution Path. After this low event has been registered, the outputs will not reflect the low state for four more cycles. Similarly after SYNC\* becomes high, the outputs will simultaneously transition high after four Clock Distribution Path cycles have passed. See *Figure 1* for further detail.

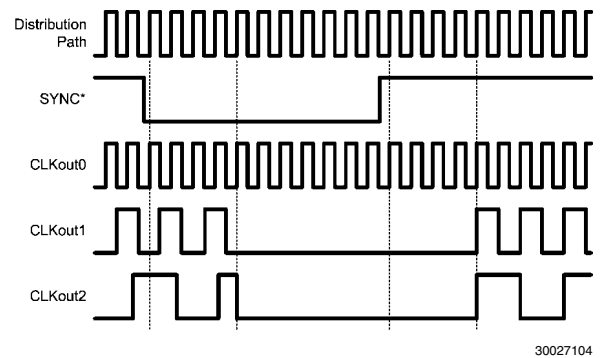


FIGURE 1. Clock Output synchronization using the SYNC\* pin

### 14.9 GLOBAL OUTPUT ENABLE AND LOCK DETECT

Each Clock Output Channel may be either enabled or put into a high impedance state via the Clock Output Enable control bit (one for each channel). Each output enable control bit is gated with the Global Output Enable input pin (GOE). The GOE pin provides an internal pull-up so that if it is un-terminated externally, then the clock output states are determined by the Clock Channel Output Enable Register bits. All clock outputs can be disabled simultaneously if the GOE pin is pulled low by an external signal.

TABLE 1. Clock Output Control

CLKoutX _EN bit	EN_CLKout _Global bit	GOE pin	CLKoutX Output State
1	1	Low	Low
Don't care	0	Don't care	Off
0	Don't care	Don't care	Off
1	1	High / No Connect	Enabled

The Lock Detect (LD) signal can be connected to the GOE pin in which case all outputs are disabled automatically if the synthesizer is not locked. See *Section 16.3.2 EN\_CLKoutX: Clock Channel Output Enable* in Functional Description for actual implementation details.

The Lock Detect (LD) pin can be programmed to output a 'High' when both PLL1 and PLL2 are locked, or only when PLL1 is locked or only when PLL2 is locked.

## 15.0 Functional Description

### 15.1 ARCHITECTURAL OVERVIEW

The LMK040xx chip consists of two high performance synthesizer blocks (Phase Locked Loop, internal VCO/VCO Divider, and loop filter), source selection, distribution system, and independent clock output channels.

The Phase Frequency Detector in PLL1 compares the divided (R Divider 1) system clock signal from the selected CLKinX and CLKinX\* input with the divided (N Divider 1) output of the external VCXO attached to the PLL2 OSCin port. The external loop filter for PLL1 should be narrow to provide an ultra clean reference clock from the external VCXO to the OSCin/OSCin\* pins for PLL2.

The Phase Frequency Detector in PLL2 then compares the divided (R Divider 2) reference signal from the PLL2 OSCin port with the divided (N Divider 2 and VCO Divider) output of the internal VCO. The bandwidth of the external loop filter for PLL2 should be designed to be wide enough to take advantage of the low in-band phase noise of PLL2 and the low high offset phase noise of the internal VCO. The VCO output is passed through a common VCO divider block and placed on a distribution path for the clock distribution section. It is also routed to the PLL2\_N counter. Each clock output channel allows the user to select a path with a programmable divider block, a phase synchronization circuit, a programmable delay, and LVDS/LVPECL/2VPECL/LVCMOS compatible output buffers.

### 15.2 PHASE DETECTOR 1 (PD1)

Phase Detector 1 in PLL1 (PD1) can operate up to 40 MHz. Since a narrow loop bandwidth should be used for PLL1, the need to operate at high phase detector rate to lower the in-band phase noise becomes unnecessary.

### 15.3 PHASE DETECTOR 2 (PD2)

Phase Detector 2 in PLL2 (PD2) supports a maximum comparison rate of 100 MHz, though the actual maximum frequency at the input port (PLL2 OSCin/OSCin\*) is 250 MHz. Operating at highest possible phase detector rate will ensure low in-band phase noise for PLL2 which in turn produces lower total jitter, as the in-band phase noise from the reference input and PLL are proportional to  $N^2$ .

### 15.4 PLL2 FREQUENCY DOUBLER

The PLL2 reference input at the OSCin port may be optionally routed through a frequency doubler function rather than

through the PLL2\_R counter. The maximum phase comparison frequency of the PLL2 phase detector is 100 MHz, so the input to the frequency doubler is limited to a maximum of 50 MHz. The frequency doubler feature allows the phase comparison frequency to be increased when a relative low frequency oscillator is driving the OSCin port. By doubling the PLL2 phase comparison frequency, the in-band PLL2 noise is reduced by about 3 dB.

### 15.5 INPUTS / OUTPUTS

#### 15.5.1 PLL1 Reference Inputs (CLKin0 / CLKin0\*, CLKin1 / CLKin1\*)

The reference clock inputs for PLL1 may be selected from either CLKin0 and CLKin1. The user has the capability to manually select one of the two inputs or to configure an automatic switching mode operation. A detailed description of this function is described in the uWire programming section of this data sheet.

#### 15.5.2 PLL2 OSCin / OSCin\* Port

The feedback from the external oscillator being locked with PLL1 is injected to the PLL2 OSCin/OSCin\* pins. This input may be driven with either a single-ended or differential signal. If operated in single ended mode, the unused input should be tied to GND with a 0.1  $\mu$ F capacitor. Either AC or DC coupling is acceptable. Internal to the chip, this signal is routed to the PLL1\_N Counter and to the reference input for PLL2. The internal circuitry of the OSCin port also supports the optional implementation of a crystal based oscillator circuit. A crystal, varactor diode and a small number of other external components may be used to implement the oscillator. The internal oscillator circuit is enabled by setting the EN\_PLL2\_XTAL bit.

#### 15.5.3 CPout1 / CPout2

The CPout1 pin provides the charge pump current output to drive the loop filter for PLL1. This loop filter should be configured so that the total loop bandwidth for PLL1 is less than 200 Hz. When combined with an external oscillator that has low phase noise at offsets close to the carrier, PLL1 generates a reference for PLL2 that is frequency locked to the PLL1 reference clock but has the phase noise performance of the oscillator. The CPout2 pin provides the charge pump current output to drive the loop filter for PLL2. This loop filter should be configured so that the total loop bandwidth for PLL2 is in the range of 50 kHz to 200 kHz. See the section on uWire device control for a description of the charge pump current gain control.

#### 15.5.4 Fout

The buffered output of the internal VCO is available at the Fout pin. This is a single-ended output (sinusoid). Each time the PLL2\_N counter value is updated via the uWire interface, an internal algorithm is triggered that optimizes the VCO performance.

### 15.5.5 Digital Lock Detect 1 Bypass

The VCO coarse tuning algorithm requires a stable OSCin clock (reference clock to PLL2) to frequency calibrate the internal VCO correctly. In order to ensure a stable OSCin clock, the first PLL must achieve lock status. A digital lock detect is used in PLL1 to monitor its lock status. After lock is achieved by PLL1, the coarse tuning circuitry is enabled and frequency calibration for the internal VCO begins.

The (DLD\_BYP) pin is provided to allow an external bypass cap to be connected to the digital lock detect 1. This capacitor will eliminate potential glitches at initial startup of PLL1 due to unknown phase relationships between the Ncntr1 and Rcntr1.

### 15.5.6 Bias

Proper bypassing of this pin by a 1  $\mu$ F capacitor connected to  $V_{CC}$  is important for low noise performance.

## 16.0 General Programming Information

LMK040xx devices are programmed using several 32-bit registers. Each register consists of a 4-bit address field and 28-bit data field. The address field is formed by bits 0 through 3 (LSBs) and the data field is formed by bits 4 through 31 (MSBs). The contents of each register are clocked in MSB first (bit

31), and the LSB (bit 0) last. During programming, the LE signal should be held LOW. The serial data is clocked in on the rising edge of the CLK signal. After the LSB (bit 0) is clocked in the LE signal should be toggled LOW-to-HIGH-to-LOW to latch the contents into the register selected in the address field. Registers R0-R4, R7, and R8-R15 must be programmed in order to achieve proper device operation. Figure 2 illustrates the serial data timing sequence.

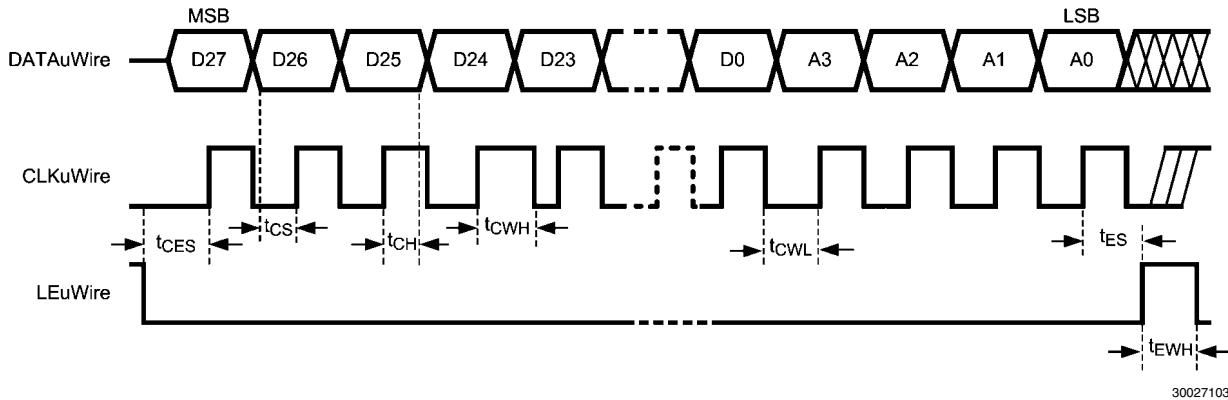


FIGURE 2. uWire Timing Diagram

To achieve proper frequency calibration, the OSCin port must be driven with a valid signal before programming Register 15. Changes to PLL2\_R Counter or the OSCin port signal require Register 15 to be reloaded in order to activate the frequency calibration process.

### 16.1 RECOMMENDED PROGRAMMING SEQUENCE

The recommended programming sequence involves programming R7 with the reset bit set to 1 (Reg. 7, bit 4) to ensure the device is in a default state. If R7 is programmed again, the reset bit should be set to 0. Registers are programmed in order with R15 being the last register programmed. An example programming sequence is shown below:

- Program R7 with the RESET bit = 1 (b4 = 1). This ensures that the device is configured with default settings. When RESET = 1, all other R7 bits are ignored.
  - If R7 is programmed again during the initial configuration of the device, the RESET bit should be cleared (b4 = 0)
- Program R0 through R4 as necessary to configure the clock outputs as desired. These registers configure clock

channel functions such as the channel multiplexer output selection, divide value, delay value, and enable/disable bit.

- Program R5 and R6 with the default values shown in the register map on the following pages.
- Program R7 with RESET = 0.
- Program R8 through R10 with the default values shown in the register map on the following pages.
- Program R11 to configure the reference clock inputs (CLKin0 and CLKin1).
  - type, LOS timeout, LOS type, and mode (manual or auto-switching)
- Program R12 to configure PLL1.
  - Charge pump gain, polarity, R counter and N counter
- Program R13 through R15 to configure PLL2 parameters, crystal mode options, and certain globally asserted functions.

The following table provides the register map for device programming:

Register Map																																
Register	31	30	29	28	27	26	25	24	23	22	21	20	19	18	17	16	15	14	13	12	11	10	9	8	7	6	5	4	3	2	1	0
	Data [31:4]																A3	A2	A1	A0												
R0	0	0	0	0	0	0	0	1	CLKout0_PECL_LVL	0	0	0	0	0	CLKout0_MUX	EN_CLKout0	CLKout0_DIV [7:0]	CLKout0_DLY [3:0]	0	0	0	0	0	0	0	0	0	0	0	0	0	0
R1	0	0	0	0	0	0	0	1	CLKout1_PECL_LVL	0	0	0	0	0	CLKout1_MUX [1:0]	EN_CLKout1	CLKout1_DIV [7:0]	CLKout1_DLY [3:0]	0	0	0	0	0	0	0	0	0	0	0	0	0	1
R2	0	0	0	0	0	0	0	1	CLKout2_PECL_LVL	0	0	0	0	0	CLKout2_MUX [1:0]	EN_CLKout2	CLKout2_DIV [7:0]	CLKout2_DLY [3:0]	0	0	0	0	0	0	0	0	0	0	0	1	0	
R3	0	0	0	0	0	0	0	1	CLKout3_PECL_LVL	0	0	0	0	0	CLKout3_MUX [1:0]	EN_CLKout3	CLKout3_DIV [7:0]	CLKout3_DLY [3:0]	0	0	0	0	0	0	0	0	0	0	1	1	0	
R4	0	0	0	0	0	0	0	1	CLKout4_PECL_LVL	0	0	0	0	0	CLKout4_MUX [1:0]	EN_CLKout4	CLKout4_DIV [7:0]	CLKout4_DLY [3:0]	0	1	0	0	0	0	0	0	0	0	0	0	0	



## 16.2 DEFAULT DEVICE REGISTER SETTINGS AFTER POWER ON/RESET

Table 2 illustrates the default register settings programmed in silicon for the LMK040xx after power on or asserting the reset bit.

**TABLE 2. Default Device Register Settings after Power On/Reset**

Field Name	Default Value (decimal)	Default State	Field Description	Register	Bit Location (MSB:LSB)
CLKoutX_PECL_LVL	0	2VPECL disabled	This bit sets LVPECL clock level. Valid when the clock channel is configured as LVPECL/2VPECL; otherwise, not relevant.	R0 to R4	23
CLKoutXB_STATE	0	Inverted	This field sets the state of output B of an LVCMOS Clock channel.	R1 to R3	22:21
CLKoutXA_STATE	1	Non-Inverted	This field sets the state of output A of an LVCMOS Clock channel.	R1 to R3	20:19
EN_CLKoutX	0	OFF	Clock Channel enable bit. Note: The state of CLKout2 is ON by default.	R0 to R4	16
Reserved Registers		(Note 43)	(Note 43)	R5,R6,R8 R9,R10	NA
RC_DLD1_Start	1	Enabled	Forces the VCO tuning algorithm state machine to wait until PLL1 is locked.	R10	29
CLKin1_BUFTYPE	1	MOS mode	CLKin1 Input Buffer Type	R11	11
CLKin0_BUFTYPE	1	MOS mode	CLKin0 Input Buffer Type	R11	10
LOS_TIMEOUT	1	3 MHz (min.)	Selects Lower Reference Clock input frequency for LOS Detection.	R11	9:8
LOS_TYPE	3	CMOS	Selects LOS output type (Note 44)	R11	7:6
CLKin_SEL	0	CLKin0	Selects Reference Clock source	R11	5:4
PLL1 CP Polarity	1	Positive polarity	Selects the charge pump output polarity, i.e., the tuning slope of the external VCXO	R12	31
PLL1_CP_GAIN	6	100 $\mu$ A	Sets the PLL1 Charge Pump Gain	R12	30:28
PLL1_R Counter	1	Divide = 1	Sets divide value for PLL1_R Counter	R12	27:16
PLL1_N Counter	1	Divide = 1	Sets divide value for PLL1_N Counter	R12	15:4
EN_PLL2_REF2X	0	Disabled	Enables or disables the OSCin frequency doubler path for the PLL2 reference input	R13	16
EN_PLL2_XTAL	0	OFF	Enables or Disables internal circuits that support an external crystal driving the OSCin pins	R13	21
EN_Fout	0	OFF	Enables or disables the VCO output buffer	R13	20
CLK Global Enable	1	Enabled	Global enable or disable for output clocks	R13	18
POWER DOWN	0	Disabled (device is active)	Device power down control	R13	17
PLL2 CP TRI-STATE	0	TRI-STATE disabled	Enables or disables TRI-STATE for PLL2 Charge Pump	R13	15
PLL1 CP TRI-STATE	0	TRI-STATE disabled	Enables or disables TRI-STATE for PLL1 Charge Pump	R13	14
OSCin_FREQ	200	200 MHz	Source frequency driving OSCin port	R14	28:21
PLL_MUX	31	Reserved	Selects output routed to LD pin	R14	20:16
PLL2_R Counter	1	Divide = 1	Sets Divide value for PLL2_R Counter	R14	15:4
PLL2_CP_GAIN	2	1600 $\mu$ A	Sets PLL2 Charge Pump Gain	R15	27:26
VCO_DIV	2	Divide = 2	Sets divide value for VCO output divider	R15	25:22
PLL2_N Counter	1	Divide = 1	Sets PLL2_N Counter value	R15	21:4

**Note 43:** These registers are reserved. The Power On/Reset values for these registers are shown in the register map and should not be changed during programming.

**Note 44:** If the CLKin\_SEL value is set to either [0,0] or [0,1], the LOS\_TYPE field should be set to [0,0].



### 16.3 REGISTER R0 TO R4

Registers R0 through R4 control the five clock outputs. Register R0 controls CLKout0, Register R1 controls CLKout1, and so on. Aside from this, the functions of the bits in these registers are identical. The X in CLKoutX\_MUX, CLKoutX\_DIV, CLKoutX\_DLY, and CLKoutX\_EN denote the actual clock output which may be from 0 to 4.

#### 16.3.1 CLKoutX\_DIV: Clock Channel Divide Registers

Each of the five clock output channels (0 through 4) has a dedicated 8-bit divider followed by a fixed divide by 2 that is used to generate even integer related versions of the distribution path clock frequency (VCO Divider output). If the VCO Divider value is even then the Channel Divider may be bypassed (See CLK Output Mux), giving an effective divisor of 1 while preserving a 50% duty cycle output waveform.

**TABLE 3. CLKoutX\_DIV: Clock Channel Divide Values**

CLKoutX_DIV [ 7:0 ]								Total Divide Value
b7	b6	b5	b4	b3	b2	b1	b0	
0	0	0	0	0	0	0	0	invalid
0	0	0	0	0	0	0	1	2
0	0	0	0	0	0	1	0	4
0	0	0	0	0	0	1	1	6
0	0	0	0	0	1	0	0	8
0	0	0	0	0	1	0	1	10
-	-	-	-	--	-	-	-	-
1	1	1	1	1	1	1	1	510

#### 16.3.2 EN\_CLKoutX: Clock Channel Output Enable

Each Clock Output Channel may be either enabled or disabled via the Clock Output Enable control bits. Each output enable control bit is gated with the Global Output Enable input pin (GOE) and Global Output Enable bit (EN\_CLKout\_Global). The GOE pin provides an internal pull-up so that if it is unterminated externally, the clock output states are determined by the Clock Output Enable Register bits. All clock outputs can be set to the low state simultaneously if the GOE pin is pulled low by an external signal. If EN\_CLKout\_Global is programmed to 0 all outputs are turned off. If both GOE and EN\_CLKout\_Global are low the clock outputs are turned off.

**TABLE 4. EN\_CLKoutX: Clock Channel Output Enable Control Bits**

BIT NAME	BIT = 1	BIT = 0	DEFAULT
EN_CLKout0	ON	OFF	OFF
EN_CLKout1	ON	OFF	OFF
EN_CLKout2	ON	OFF	ON
EN_CLKout3	ON	OFF	OFF
EN_CLKout4	ON	OFF	OFF
EN_CLKout_Global	According to individual channel settings	All EN_CLKout_X = OFF	-

Note the default state of CLKout2 is ON after power on or RESET assertion. The nominal frequency is 62 MHz (LMK040x1) or 81 MHz (LMK040x3). This is based on a channel divide value of 12 and default VCO\_DIV value of 2. If an active CLKout2 at power on is inappropriate for the user's application, the following method can be employed to shut off CLKout2 during system initialization:

- When the device is powered on, holding the GOE pin LOW will disable all clock outputs. The device can be programmed while the GOE is held LOW. The state of CLKout2 can be altered during device programming according to the user's specific application needs. After device configuration is complete, the GOE pin should be set HIGH to enable the active clock channels.

#### 16.3.3 CLKoutX\_DLY: Clock Channel Phase Delay Adjustment

Each output channel has an output delay register that can be used to introduce a lag relative to the distribution path frequency (VCO Divider output). These registers support a 150 ps stepsize and range from 0 to 2.25 ns of total delay. When the channel phase delay registers are enabled, a nominal fixed delay of 300 ps of delay is incurred in addition to the programmed delay. The Channel Phase Delay Adjustment Registers are 4 bits wide and are programmed as follows:

**TABLE 5. CLKoutX\_DLY: Clock Channel Delay Control Bit Values**

CLKoutX_DLY [ 3:0 ]				DELAY (ps)
b3	b2	b1	b0	
0	0	0	0	0
0	0	0	1	150
0	0	1	0	300
0	0	1	1	450
0	1	0	0	600
0	1	0	1	750
0	1	1	0	900
0	1	1	1	1050
1	0	0	0	1200
1	0	0	1	1350
1	0	1	0	1500
1	0	1	1	1650
1	1	0	0	1800
1	1	0	1	1950
1	1	1	0	2100
1	1	1	1	2250

#### 16.3.4 CLKoutX/CLKoutX\* LVCMOS Mode Control

For clock outputs that are configured as LVCMOS, the LVCMOS CLKoutX/CLKoutX\* outputs can be independently configured by uWire CLKoutXA\_STATE and CLKoutXB\_STATE bits. The following choices are available for LVCMOS outputs:

**TABLE 6. CLKoutXA\_STATE, CLKoutXB\_STATE Control Bits for LVCMOS Modes**

CLKoutXA_STATE		CLKoutXB_STATE		LVCMOS Modes
b1	b0	b1	b0	
0	0	0	0	Inverted
0	1	0	1	Normal
1	0	1	0	Low
1	1	1	1	TRI-STATE

### 16.3.5 CLKoutX/CLKoutX\* LVPECL Mode Control

Clock outputs designated as LVPECL can be configured in one of two possible output levels. The default mode is the common LVPECL swing of 800 mVp-p single-ended (1.6 Vp-p differential). A second mode, 2VPECL, can be enabled in which the swing is increased to 1000 mVp-p single-ended (2 Vp-p differential).

**TABLE 7. LVPECL Output Format Control**

CLKoutX_PECL_LVL	Output Format
0	LVPECL (800 mVpp)
1	2VPECL (1000 mVpp)

### 16.3.6 CLKoutX\_MUX: Clock Output Mux

The output of each CLKoutX channel pair is controlled by its channel multiplexer (mux). The mux can select between several signals: bypassed, divided only, divided and delayed, or delayed only.

**TABLE 8. CLKoutX\_MUX: Clock Channel Multiplexer Control Bits**

CLKoutX_MUX [1:0]		Clock Mode
b1	b0	
0	0	Bypassed
0	1	Divided
1	0	Delayed
1	1	Divided and Delayed

### 16.4 REGISTERS 5, 6

These registers are reserved. These register values should not be modified from the values shown in the register map.

### 16.5 REGISTER 7

#### 16.5.1 RESET bit

This bit is only in register R7. The use of this bit is optional and it should be set to '0' if not used. Setting this bit to a '1' forces all registers to their power on reset condition and therefore automatically clears this bit.

### 16.6 REGISTERS 8, 9

These registers are reserved. These register values should not be modified from the values shown in the register map.

### 16.7 REGISTER 10

#### 16.7.1 RC\_DLD1\_Start: PLL1 Digital Lock Detect Run Control bit

This bit is used to control the state machine for the PLL2 VCO tuning algorithm. The following table describes the function of this bit.

**TABLE 9. RC\_DLD1\_Start bit states**

RC_DLD1_Start	Description
1	The PLL2 VCO tuning algorithm trigger is delayed until PLL1 Digital Lock Detect is valid.
0	The PLL2 VCO tuning algorithm runs immediately after any PLL2_N counter update, despite the state of PLL1 Digital Lock Detect.

If the user is unsure of the state of the reference clock input at startup of the LMK040xx device, setting RC\_DLD1\_Start = 0 will allow PLL2 to tune and lock the internal VCO to the oscillator attached to the OSCin port. This ensures that the active clock outputs will start up at frequencies close to their desired values. The error in clock output frequency will depend on the open loop accuracy of the oscillator driving the OSCin port. The frequency of an active clock output is normally given by:

$$F_{\text{CLK}} = \frac{N}{R} \cdot \frac{F_{\text{OSCin}}}{(\text{VCO\_DIV} \cdot \text{CLK\_DIV})}$$

30027160

If the open loop frequency accuracy of the external oscillator (either a VCXO or crystal based oscillator) is "X" ppm, then the error in the output clock frequency ( $F_{\text{CLK}}$  error) will be:

$$F_{\text{CLK error}} = \frac{N}{R} \cdot \frac{X \cdot F_{\text{OSCin}}}{(\text{VCO\_DIV} \cdot \text{CLK\_DIV})}$$

30027161

Setting this bit to 0 does not prevent PLL1 from locking the external oscillator to the reference clock input after the latter input becomes valid.

### 16.8 REGISTER 11

#### 16.8.1 CLKinX\_BUFTYPE: PLL1 CLKinX/CLKinX\* Buffer Mode Control

The user may choose between one of two input buffer modes for the PLL1 reference clock inputs: either bipolar junction differential or MOS. Both CLKinX and CLKinX\* input pins must be AC coupled when driven differentially. In single ended mode, the CLKinX\* pin must be coupled to ground through a capacitor. The active CLKinX buffer mode is selected by the CLKinX\_TYPE bits programmed via the uWire interface.

**TABLE 10. PLL1 CLKinX\_BUFTYPE Mode Control Bits**

b1	b0	CLKin1_TYPE	CLKin0_TYPE
0	0	BJT Differential	BJT Differential
0	1	BJT Differential	MOS
1	0	MOS	BJT Differential
1	1	MOS	MOS

### 16.8.2 CLKin\_SEL: PLL1 Reference Clock Selection and Revertive Mode Control Bits

This register allows the user to set the reference clock input that is used to lock PLL1, or to select an auto-switching mode. The automatic switching modes are revertive or non-revertive. In either revertive or non-revertive mode, CLKin0 is the initial default reference source for the auto-switching mode. When revertive mode is active, the switching control logic will always select CLKin0 as the reference if it is active, otherwise it selects CLKin1. When non-revertive mode is active, the switching logic will only switch the reference input if the currently selected input fails.

Table 11 illustrates the control modes. Modes [1,0] and [1,1] are the auto-switching modes. The behavior of both modes is tied to the state of the LOS signals for the respective reference clock inputs.

If the reference clock inputs are active prior to configuration of the device, then the normal programming sequence described under Section 16.0 General Programming Information can be used without modification. If it cannot be guaranteed that the reference clocks are active prior to device programming, then the device programming sequence should be modified in order to ensure that CLKin0 is selected as the default. Under this scenario, the device should be programmed as described in "General Programming Information", with CLKin\_SEL bits programmed to [0,0] in register R11. The other R11 fields for clock type and LOS timeout should be programmed with the appropriate values for the given application. After the reference clock inputs have started, register R11 should be programmed a second time with the CLKin\_SEL field modified to set the desired mode. The clock type field and LOS field values should remain the same.

**TABLE 11. CLKin\_SEL: Reference Clock Selection Bits**

CLKin_SEL [1:0]		Function
b1	b0	
0	0	Force CLKin0 / CLKin0* as PLL1 reference
0	1	Force CLKin1 / CLKin1* as PLL1 reference
1	0	Non-revertive. Auto-switching. CLKin0 is the default reference clock. If CLKin0 fails, CLKin1 is automatically selected if active. If CLKin0 restarts, CLKin1 remains as the selected reference clock unless it fails, then CLKin0 is re-selected.
1	1	Revertive. Auto-switching. CLKin0 is the preferred reference clock and is selected when active.

### 16.8.3 CLKinX\_LOS

The CLKin0\_LOS and CLKin1\_LOS pins indicate the state of the respective PLL1 CLKinX reference input when the CLKin\_SEL bits are set to either [1,0] or [1,1]. The detection logic that determines the state of the reference inputs is sensitive to the frequency of the reference inputs and must be configured to operate with the appropriate frequency range of the reference inputs, as described in the next section.

### 16.8.4 PLL1 Reference Clock LOS Timeout Control

This register is used to tune the LOS timeout based upon the frequency of the reference clock input(s). The register value controls the timeout setting for both CLKin0 and CLKin1. The value programmed in the LOS\_TIMEOUT register represents the minimum input frequency for which loss of signal can be detected. For example, if the reference input frequency is 12.288 MHz, then either register values (0,0) or (0,1) will result in valid loss of signal detection. If the reference input frequency is 1 MHz, then only the register value (0,0) will result in valid detection of signal loss.

**TABLE 12. Reference Clock LOS Timeout Control Bits**

b1	b0	Corresponding Minimum Input Frequency
0	0	1 MHz
0	1	3.0 MHz
1	0	13 MHz
1	1	32 MHz

### 16.8.5 LOS Output Type Control

The output format of the LOS pins may be selected as active CMOS, open drain NMOS and open drain PMOS, as shown in the following table.

**TABLE 13. Loss of Signal (LOS) Output Pin Format Type**

LOS_TYPE [1:0]		Functional Description
b1	b0	
0	0	Reserved
0	1	NMOS open drain
1	0	PMOS open drain
1	1	Active CMOS

The LOS output signal is valid only when CLKin\_SEL bits are set to either [1,0] or [1,1]. If the CLKin\_SEL field is programmed to either of the fixed inputs, [0,0] or [0,1], the LOS\_TYPE bits should be set to [0,0].

## 16.9 REGISTER 12

### 16.9.1 PLL1\_N: PLL1\_N Counter

The size of the PLL1\_N counter is 12 bits. This counter will support a maximum divide ratio of 4095 and minimum divide ratio of 1. The 12 bit resolution is sufficient to support minimum phase detector frequency resolution of approximately 50 kHz when the VCXO frequency is 200 MHz.

For a 200 MHz external VCXO, the minimum phase detector rate will be  $PD_{min} = 200 \text{ MHz} / 4095 = 48.84 \text{ kHz}$

**TABLE 14. PLL1\_N Counter Values**

N [17:0]										VALUE
b11	b10	...	b6	b5	b4	b3	b2	b1	b0	
0	0		0	0	0	0	0	0	0	Not Valid
0	0		0	0	0	0	0	0	1	1
0	0		0	0	0	0	0	1	0	2
			.	.	.	.	.	.	.	...
1	1		1							4095

### 16.9.2 PLL1\_R: PLL1\_R Counter

The size of the PLL1\_R counter is 12 bits. This counter will support a maximum divide ratio of 4095 and minimum divide ratio of 1.

TABLE 15. PLL1\_R Counter Values

R [11:0]												VALUE
b11	b10	b9	b8	b7	b6	b5	b4	b3	b2	b1	b0	
0	0	0	0	0	0	0	0	0	0	0	0	Not Valid
0	0	0	0	0	0	0	0	0	0	0	1	1
.	.	.	.	.	.	.	.	.	.	.	.	...
1	1	1	1	1	1	1	1	1	1	1	1	4095

### 16.9.3 PLL1 Charge Pump Current Gain (PLL1\_CP\_GAIN) and Polarity Control (PLL1\_CP\_POL)

The Loop Band Width (LBW) on PLL1 should be narrow to suppress the noise from the system or input clocks at CLKinX/CLKinX\* port. This configuration allows the noise of the external VCXO to dominate at low offset frequencies. Given that the noise of the external VCXO is far superior than the noise of PLL1, this setting produces a very clean reference clock to PLL2 at the OSCin port.

In order to achieve a LBW as low as 10 Hz at the supported VCXO frequency (1 MHz to 200 MHz), a range of charge pump currents in PLL1 is provided. The table below shows the available current gains. A small charge pump current is required to obtain a narrow LBW at high phase detector rate (small N value).

TABLE 16. PLL1 Charge Pump Current Selections (PLL1\_CP\_GAIN)

PLL1_CP_GAIN [2:0]			PLL1 Charge Pump Current Magnitude ( $\mu$ A)
b2	b1	b0	
0	0	0	RESERVED
0	0	1	RESERVED
0	1	0	20
0	1	1	80
1	0	0	25
1	0	1	50
1	1	0	100
1	1	1	400

The PLL1\_CP\_POL bit sets the PLL1 charge pump for operation with a positive or negative slope VCO/VCXO. A positive slope VCO/VCXO increases frequency with increased tuning voltage. A negative slope VCO/VCXO increases frequency with decreased tuning voltage.

TABLE 17. PLL1 Charge Pump Polarity Control Bits (PLL1\_CP\_POL)

PLL1_CP_POL	DESCRIPTION
0	Negative Slope VCO/VCXO
1	Positive Slope VCO/VCXO

## 16.10 REGISTER 13

### 16.10.1 EN\_PLL2\_XTAL: Crystal Oscillator Option Enable

If an external crystal is being used to implement a discrete VCXO, the internal feedback amplifier must be enabled in order to complete the oscillator circuit.

TABLE 18. EN\_PLL2\_XTAL: External Crystal Option

EN_PLL2_XTAL	Oscillator Amplifier State
0	OFF
1	ON

### 16.10.2 EN\_Fout: Fout Power Down Bit

The EN\_Fout bit allows the Fout port to be enabled or disabled. By default EN\_Fout = 0.

### 16.10.3 CLK Global Enable: Clock Global enable bit

In addition to the external GOE pin, an internal Register 13 bit (b18) can be used to globally enable/disable the clock outputs via the uWire programming interface. The default value is 1. When CLK Global Enable = 1, the active output clocks are enabled. The active output clocks are disabled if this bit is 0.

### 16.10.4 POWERDOWN Bit -- Device Power Down

This bit can power down the entire device. Enabling this bit powers down the entire device and all functional blocks, regardless of the state of any of the other bits or pins.

TABLE 19. Power Down Bit Values

POWERDOWN Bit	Mode
0	Normal Operation
1	Entire device powered down

### 16.10.5 EN\_PLL2\_REF2X: PLL2 Frequency Doubler control bit

When  $F_{\text{OSCin}}$  is below 50 MHz, the PLL2 frequency doubler can be enabled by setting EN\_PLL2\_REF2X = 1. The default value is 0. When EN\_PLL2\_REF2X = 1, the signal at the OSCin port bypasses the PLL2\_R counter and is passed through a frequency doubler circuit. The output of this circuit is then input to the PLL2 phase comparator block. This feature allows the phase comparison frequency to be increased for lower frequency OSCin sources (< 50 MHz), and can be used with either VXCOs or crystals. For instance, when using a pullable crystal of 12.288 MHz to drive the OSCin port, the PLL2 phase comparison frequency is 24.576 MHz when EN\_PLL2\_REF2X = 1. A higher PLL phase comparison frequency reduces PLL2 in-band phase noise and RMS jitter. The PLL in-band phase noise can be reduced by approximately 2 to 3 dB. The on-chip loop filter typically is enabled to reduce PLL2 reference spurs when EN\_PLL2\_REF2X is enabled. Suggested values in this case are: R3 = 600  $\Omega$ , C3 = 50 pF, R4 = 10 k $\Omega$ , C4 = 60 pF.

### 16.10.6 PLL2 Internal Loop Filter Component Values

Internal loop filter components are available for PLL2, enabling the user to implement either 3rd or 4th order loop filters without requiring external components. The user may select from a fixed set of values for both the resistors and capacitors. Internal loop filter resistance values for R3 and R4 can be set individually according to Table 20 and Table 21.

**TABLE 20. PLL2 Internal Loop Filter Resistor Values, PLL2\_R3\_LF**

PLL2_R3_LF [2:0]			RESISTANCE
b2	b1	b0	
0	0	0	< 600 $\Omega$
0	0	1	10 k $\Omega$
0	1	0	20 k $\Omega$
0	1	1	30 k $\Omega$
1	0	0	40 k $\Omega$
1	0	1	Invalid
1	1	0	Invalid
1	1	1	Invalid

**TABLE 21. PLL2 Internal Loop Filter Resistor Values, PLL2\_R4\_LF**

PLL2_R4_LF [2:0]			RESISTANCE
b2	b1	b0	
0	0	0	< 200 $\Omega$
0	0	1	10 k $\Omega$
0	1	0	20 k $\Omega$
0	1	1	30 k $\Omega$
1	0	0	40 k $\Omega$
1	0	1	Invalid
1	1	0	Invalid
1	1	1	Invalid

Internal loop filter capacitors for C3 and C4 can be set individually according to the following table.

**TABLE 22. PLL2 Internal Loop Filter Capacitor Values**

PLL2_C3_C4_LF [3:0]				Loop Filter Capacitance (pF)
b3	b2	b1	b0	
0	0	0	0	C3 = 0, C4 = 10
0	0	0	1	C3 = 0, C4 = 60
0	0	1	0	C3 = 50, C4 = 10
0	0	1	1	C3 = 0, C4 = 110
0	1	0	0	C3 = 50, C4 = 110
0	1	0	1	C3 = 100, C4 = 110
0	1	1	0	C3 = 0, C4 = 160
0	1	1	1	C3 = 50, C4 = 160
1	0	0	0	C3 = 100, C4 = 10
1	0	0	1	C3 = 100, C4 = 60
1	0	1	0	C3 = 150, C4 = 110
1	0	1	1	C3 = 150, C4 = 60
1	1	0	0	Reserved
1	1	0	1	Reserved
1	1	1	0	Reserved
1	1	1	1	Reserved

**16.10.7 PLL1 CP TRI-STATE and PLL2 CP TRI-STATE**

The charge pump output of either CPout1 or CPout2 may be placed in a TRI-STATE mode by setting the appropriate PLLx CP TRI-STATE bit.

**TABLE 23. PLL1 Charge Pump TRI-STATE bit values**

PLL1 CP TRI-STATE	Description
1	PLL1 CPout1 is at TRI-STATE
0	PLL1 CPout1 is active

**TABLE 24. PLL2 Charge Pump TRI-STATE bit values**

PLL2 CP TRI-STATE	Description
1	PLL2 CPout2 is at TRI-STATE
0	PLL2 CPout2 is active

**16.11 REGISTER 14****16.11.1 OSCin\_FREQ: PLL2 Oscillator Input Frequency Register**

The frequency of the PLL2 reference input to the PLL2 Phase Detector (OSCin/OSCin\* port) must be programmed in order to support proper operation of the internal VCO tuning algorithm. This is an 8-bit register that sets the frequency to the nearest 1-MHz increment.

**TABLE 25. OSCin\_FREQ Register Values**

OSCin_FREQ [7:0]								VALUE
b7	b6	b5	b4	b3	b2	b1	b0	
0	0	0	0	0	0	0	0	Not Valid
0	0	0	0	0	0	0	1	1 MHz
0	0	0	0	0	0	1	0	2 MHz
.	.	.	.	.	.	.	.	...
1	1	1	1	1	0	1	0	250 MHz
1	1	0	0	1	0	0	1	Not Valid
.	.	.	.	.	.	.	.	.
1	1	1	1	1	1	1	1	Not Valid

**16.11.2 PLL2\_R: PLL2\_R Counter**

The PLL2 R Counter is 12 bits wide. It divides the PLL2 OSCin/OSCin\* clock and is connected to the PLL2 Phase Detector.

**TABLE 26. PLL2\_R: PLL2\_R Counter Values**

R [11:0]											VALUE	
b11	b10	b9	b8	b7	b6	b5	b4	b3	b2	b1		b0
0	0	0	0	0	0	0	0	0	0	0	0	Not Valid
0	0	0	0	0	0	0	0	0	0	0	1	1
.	.	.	.	.	.	.	.	.	.	.	.	...
1	1	1	1	1	1	1	1	1	1	1	1	4095

**16.11.3 PLL\_MUX: LD Pin Selectable Output**

The signal appearing on the LD pin is programmable via the uWire interface and provides access to several internal signals which may be valuable for either status monitoring during normal operation or for debugging during the hardware development phase. This pin may be forced to either a HIGH or LOW state, and may also be configured as specified in *Table 27*.

**TABLE 27. PLL\_MUX: LD Pin Selectable Outputs**

PLL_MUX [4:0]					LD Output
b4	b3	b2	b1	b0	
0	0	0	0	0	HiZ
0	0	0	0	1	Logic High
0	0	0	1	0	Logic Low
0	0	0	1	1	PLL2 Digital Lock Detect Active High
0	0	1	0	0	PLL2 Digital Lock Detect Active Low
0	0	1	0	1	PLL2 Analog Lock Detect Push Pull
0	0	1	1	0	PLL2 Analog Lock Detect Open Drain NMOS
0	0	1	1	1	PLL2 Analog Lock Detect Open Drain PMOS
0	1	0	0	0	Reserved
0	1	0	0	1	PLL2_N Divider Output / 2
0	1	0	1	0	Reserved
0	1	0	1	1	PLL2_R Divider Output / 2
0	1	1	0	0	Reserved
0	1	1	0	1	Reserved
0	1	1	1	0	PLL1 Digital Lock Detect Active HIGH
0	1	1	1	1	PLL1 Digital Lock Detect Active LOW
1	0	0	0	0	Reserved
1	0	0	0	1	Reserved
1	0	0	1	0	Reserved
1	0	0	1	1	Reserved
1	0	1	0	0	PLL1_N Divider Output / 2
1	0	1	0	1	Reserved
1	0	1	1	0	PLL1_R Divider Output / 2
1	0	1	1	1	PLL1 and PLL2 Digital Lock Detect
1	1	0	0	0	Inverted PLL1 and PLL2 Digital Lock Detect
1	1	0	0	1	Reserved
1	1	0	1	0	Reserved
1	1	0	1	1	Reserved
1	1	1	0	0	Reserved
1	1	1	0	1	Reserved
1	1	1	1	0	Reserved
1	1	1	1	1	Reserved

**16.12 REGISTER 15**

**16.12.1 PLL2\_N: PLL2\_N Counter**

The PLL2\_N Counter is 18 bits wide. It divides the output of the VCO Divider and is connected to the PLL2 Phase Detector. Each time the PLL2\_N Counter value is updated via the uWire interface, an internal algorithm is triggered that optimizes the VCO performance.

**TABLE 28. PLL2\_N: PLL2\_N Counter Values**

N [17:0]										VALUE
b17	b16	...	b6	b5	b4	b3	b2	b1	b0	
0	0	...	0	0	0	0	0	0	0	Not Valid
0	0		0	0	0	0	0	0	1	1
0	0		0	0	0	0	0	1	0	2
			.	.	.	.	.	.	.	...
1	1		1	1	1	1	1	1	1	262143

**16.12.2 PLL2\_CP\_GAIN: PLL2 Charge Pump Current and Output Control**

The PLL2 charge pump output current level is controlled with the PLL2\_CP\_GAIN register. The following table presents the charge pump current control values.

**TABLE 29. PLL2\_CP\_GAIN: PLL2 Charge Pump Current Selections**

PLL2_CP_GAIN [1:0]		CP_TRI	Charge Pump Current (µA)
b1	b0		
X	X	1	Hi-Z
0	0	0	100
0	1	0	400
1	0	0	1600
1	1	0	3200

**16.12.3 VCO\_DIV: PLL2 VCO Divide Register**

A divider is provided on the output of the PLL2 VCO to enable a wide range of output clock frequencies. The output of this divider is placed on the input path for the clock distribution section, which feeds each of the individual clock channels. The divider provides integer divide ratios from 2 to 8.

**TABLE 30. VCO\_DIV: PLL2 VCO Divider Values**

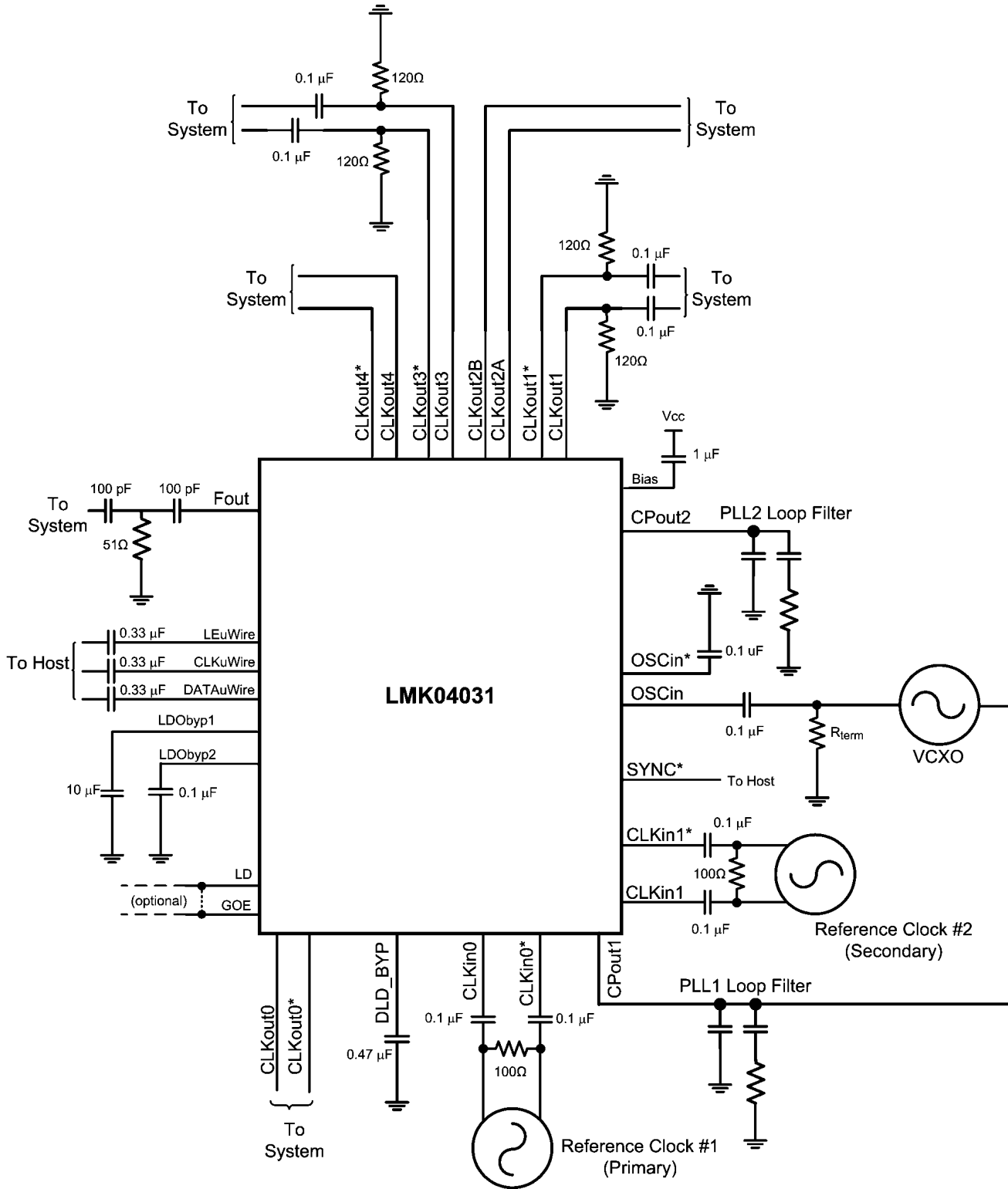
VCO_DIV [3:0]				Divide Value
b3	b2	b1	b0	
0	0	0	0	Invalid
0	0	0	1	Invalid
0	0	1	0	2
0	0	1	1	3
0	1	0	0	4
0	1	0	1	5
0	1	1	0	6
0	1	1	1	7
1	0	0	0	8



## 17.0 Application Information

### 17.1 SYSTEM LEVEL DIAGRAM

The following diagram illustrates the typical interconnection of the LMK040xx in a clocking application.



30027170

FIGURE 3. Typical Application

### 17.1 System Level Diagram (continued)

Figure 3 shows an LMK04000 family device with external circuitry. The primary reference clock input is at CLKin0/0\*. A secondary reference clock is driving CLKin1/1\*. Both clocks are depicted as AC coupled differential drivers. The VCXO attached to the OSCin/OSCin\* port is configured as an AC coupled single-ended driver. Any of the input ports (CLKin0/0\*, CLKin1/1\*, or OSCin/OSCin\*) may be configured as either differential or single-ended. These options are discussed later in the data sheet.

The diagram shows an optional connection between the LD pin and GOE. With this arrangement, the LD pin can be programmed to output a lock detect signal that is active HIGH (see Table 27 for optional LD pin outputs). If lock is lost, the LD pin will transition to a LOW, pulling GOE low and causing all clock outputs to be disabled. This scheme should be used only if disabling the clock outputs is desirable when lock is lost.

The loop filter for PLL2 consists of three external components that implement two lower order poles, plus optional internal integrated components if 3rd or 4th order poles are needed. The loop filter components for PLL1 must be external components.

The VCO output buffer signal that appears at the Fout pin when enabled (EN\_Fout = 1) should be AC coupled using a 100 pF capacitor. This output is a single-ended signal by default. If a differential signal is required, a 50  $\Omega$  balun may be connected to this pin to convert it to differential.

The clock outputs are all AC coupled with 0.1  $\mu$ F capacitors. CLKout1 and CLKout3 are depicted as LVPECL, with 120  $\Omega$  emitter resistors as source termination. However, the output format of the clock channels will vary by device part number, so the designer should use the appropriate source termination for each channel. Later sections of this data sheet illustrate alternative methods for AC coupling, DC coupling and terminating the clock outputs.

### 17.2 LDO BYPASS AND BIAS PIN

The LDObyp1 and LDObyp2 pins should be connected to GND through external capacitors, as shown in the diagram. Furthermore, the Bias pin should be connected to  $V_{CC}$  through a 1  $\mu$ F capacitor in series.

### 17.3 LOOP FILTER

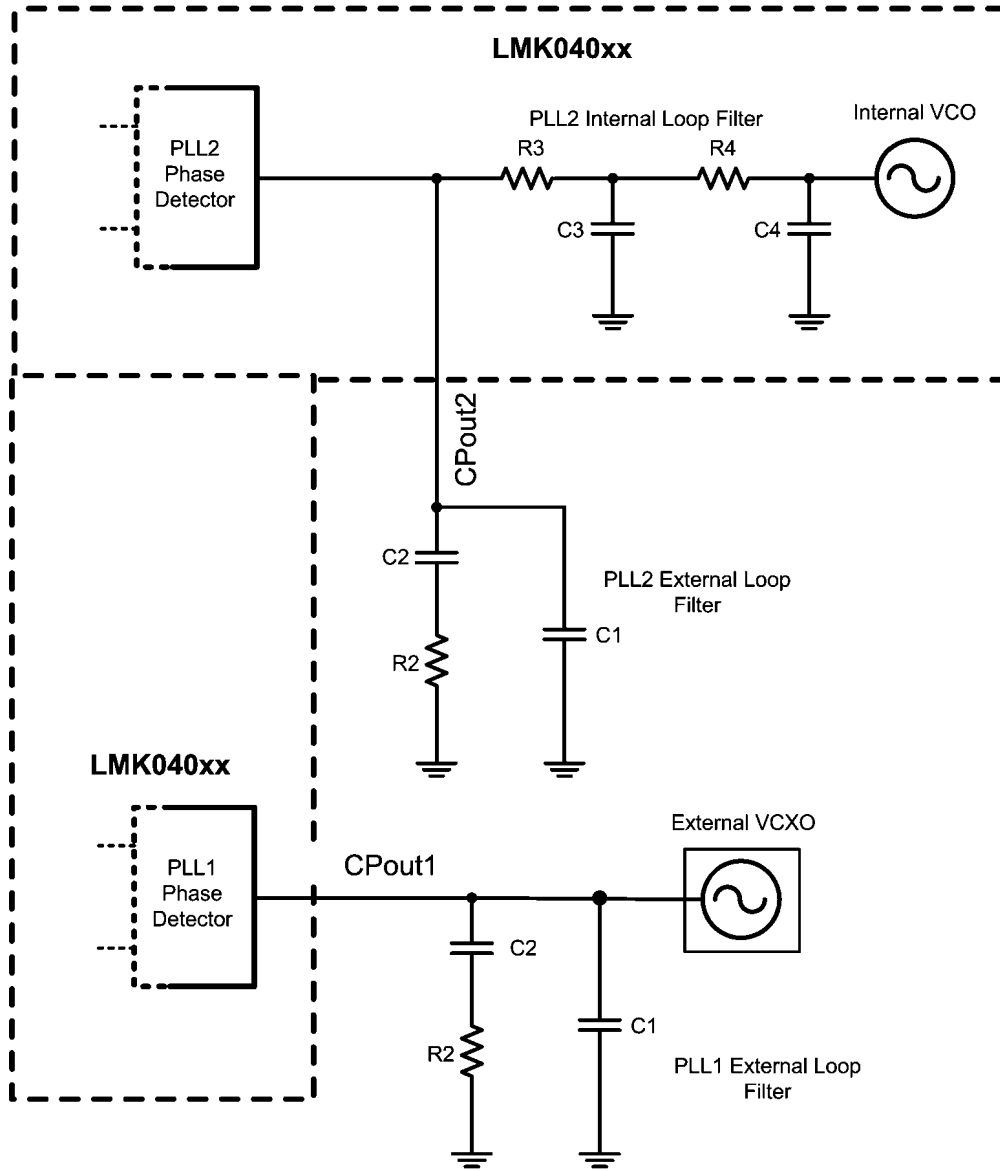
Each PLL of the LMK04000 family requires a dedicated loop filter. The loop filter for PLL1 must be connected to the CPout1

pin. Figure 4 shows a simple 2-pole loop filter. The output of the filter drives an external VCXO module or discrete implementation of a VCXO using a crystal resonator. Higher order loop filters may be implemented using additional external R and C components. It is recommended the loop filter for PLL1 result in a total closed loop bandwidth in the range of 10 Hz to 200 Hz. The design of the loop filter is application specific and highly dependent on parameters such as the phase noise of the reference clock, VCXO phase noise, and phase detector frequency for PLL1. National's Clock Conditioner Owner's Manual covers this topic in detail and National's Clock Design Tool can be used to simulate loop filter designs for both PLLs. These resources may be found: <http://www.national.com/timing/>.

As shown in the diagram, the charge pump for PLL2 is directly connected to the optional internal loop filter components, which are normally used only if either a third or fourth pole is needed. The first and second poles are implemented with external components. The loop must be designed to be stable over the entire application-specific tuning range of the VCO. The designer should note the range of  $K_{VCO}$  listed in the table of Electrical Characteristics and how this value can change over the expected range of VCO tuning frequencies. Because loop bandwidth is directly proportional to  $K_{VCO}$ , the designer should model and simulate the loop at the expected extremes of the desired tuning range, using the appropriate values for  $K_{VCO}$ .

When designing with the integrated loop filter of the LMK04000 family, considerations for minimum resistor thermal noise often lead one to the decision to design for the minimum value for integrated resistors, R3 and R4. Both the integrated loop filter resistors and capacitors (C3 and C4) also restrict the maximum loop bandwidth. However, these integrated components do have the advantage that they are closer to the VCO and can therefore filter out some noise and spurs better than external components. For this reason, a common strategy is to minimize the internal loop filter resistors and then design for the largest internal capacitor values that permit a wide enough loop bandwidth. In situations where spurs requirements are very stringent and there is margin on phase noise, it might make sense to design for a loop filter with integrated resistor values larger than their minimum value.





30027171

FIGURE 4. Loop Filter

TABLE 31. Typical Current Consumption for Selected Functional Blocks

Block	Condition	Typical $I_{CC}$ (Temp = 25 °C, $V_{CC} = 3.3$ V) (mA)	Power Dissipated in device (mW)	Power Dissipated in LVPECL/ 2VPECL Emitter Resistors (mW)
Entire device, core current	Single input clock (CLKIN_SEL = 0 or 1); LOS disabled; PLL1 and PLL2 locked; All CLKouts are off; No LVPECL emitter resistors connected	115	380	-
REFMUX	Enable auto-switch mode (CLKIN_SEL = 2 or 3)	4.3	14	-
LOS	Enable LOS (LOS_TYPE = 1, or 2, or 3)	3.6	12	-
Low Channel Internal Buffer	The low channel internal buffer is enabled when CLKout0 is enabled	10	33	-
High Channel Internal Buffer	The high channel internal buffer is enabled when one of CLKout1 through CLKout4 is enabled	10	33	-
Divide circuitry per output	Divider bypassed (CLKout_MUX = 0, 2)	0	0	-
	Divider enabled, divide = 2 (CLKout_MUX = 1, 3)	5.3	17	-
	Divider enabled, divide > 2 (CLKout_MUX = 1, 3)	8.5	28	-
Delay circuitry per output	Delay bypassed (CLKout_MUX = 0, 1)	0	0	-
	Delay enabled, delay < 8 (CLKout_MUX = 2, 3)	5.8	19	-
	Delay enabled, delay > 7 (CLKout_MUX = 2, 3)	9.9	33	-
Fout Buffer	EN_Fout = 1	14.5	48	-
LVDS Buffer	LVDS buffer, enabled	19.3	64	-
LVPECL/ 2VPECL Buffer	LVPECL/2VPECL buffer (enabled and with 120 $\Omega$ emitter resistors)	40	82	50
	LVPECL/2VPECL buffer (disabled and with 120 $\Omega$ emitter resistors)	21.7	47	25
	LVPECL/2VPECL (disabled and with no emitter resistors)	0	0	-
LVCMOS Buffer (Note 45)	LVCMOS buffer static $I_{CC}$ , $C_L = 5$ pF	4.5	15	-
	LVCMOS buffer dynamic $I_{CC}$ , $C_L = 5$ pF, CLKout = 100 MHz	16	53	-
Entire device (Single input clock (CLKIN_SEL = 0 or 1); LOS disabled; PLL1 and PLL2 locked; Fout disabled; All CLKouts are on; No delay); Divide > 2 on each output.	LMK0400x (Notes 46, 47)	379.5	1102	150
	LMK0401x (Notes 46, 47)	377.5	996	250
	LMK0403x (Notes 46, 47)	337.1	1012	100

**Note 45:** Dynamic power dissipation of LVCMOS buffer varies with output frequency and can be found in the LVCMOS dynamic  $I_{CC}$  vs frequency plot, as shown in Section 13.1 CLOCK OUTPUT AC CHARACTERISTICS. Total power dissipation of the LVCMOS buffer is the sum of static and dynamic power dissipation. CLKoutXa and CLKoutXb are each considered an LVCMOS buffer.

**Note 46:** Assuming  $\Theta_{JA} = 27.4$  °C/W, the total power dissipated on chip must be less than  $40/27.4 = 1450$  mW to guarantee a junction temperature is less than 125 °C.

**Note 47:** Worst case power dissipation can be estimated by multiplying typical power dissipation with a factor of 1.2.

## 17.4 CURRENT CONSUMPTION / POWER DISSIPATION CALCULATIONS

Due to the myriad of possible configurations the following table serves to provide enough information to allow the user to calculate estimated current consumption of the device. Unless otherwise noted  $V_{CC} = 3.3\text{ V}$ ,  $T_A = 25\text{ }^\circ\text{C}$ .

From *Table 31* the current consumption can be calculated in any configuration. For example, the current for the entire device with 1 LVDS (CLKout0) & 1 LVPECL (CLKout1) output in bypassed mode can be calculated by adding up the following blocks: core current, clock buffer, one LVDS output buffer current, and one LVPECL output buffer current. There will also be one LVPECL output drawing emitter current, but some of the power from the current draw is dissipated in the external  $120\ \Omega$  resistors which doesn't add to the power dissipation budget for the device. If delays or dividers are switched in, then the additional current for these stages needs to be added as well.

For power dissipated by the device, the total current entering the device is multiplied by the voltage at the device minus the power dissipated in any emitter resistors connected to any of the LVPECL outputs. If no emitter resistors are connected to the LVPECL outputs, this power will be 0 watts. For example, in the case of 1 LVDS (CLKout0) & 1 LVPECL (CLKout1) operating at 3.3 V, we calculate  $3.3\text{ V} \times (115 + 10 + 10 + 19.3 + 40)\text{ mA} = 3.3\text{ V} \times 194.3\text{ mA} = 641.2\text{ mW}$ . Because the LVPECL output (CLKout1) has the emitter resistors hooked up and the power dissipated by these resistors is 50 mW, the total device power dissipation is  $641.2\text{ mW} - 50\text{ mW} = 591.2\text{ mW}$ .

When the LVPECL output is active,  $\sim 1.7\text{ V}$  is the average voltage on each output as calculated from the LVPECL  $V_{OH}$  &  $V_{OL}$  typical specification. Therefore the power dissipated in each emitter resistor is approximately  $(1.7\text{ V})^2 / 120\ \Omega = 25\text{ mW}$ . When the LVPECL output is disabled, the emitter resistor voltage is  $\sim 1.07\text{ V}$ . Therefore the power dissipated in each emitter resistor is approximately  $(1.07\text{ V})^2 / 120\ \Omega = 9.5\text{ mW}$ .

## 17.5 POWER SUPPLY CONDITIONING

The recommended technique for power supply management is to connect the power pins for the clock outputs (pins 13, 37, 40, 43, and 46) to a dedicated power plane and connect all other power pins on the device (pins 3, 8, 18, 19, 22, 24, 30, 31, and 33) to a second power plane. Note: the LMK04000 family has internal voltage regulators for the PLL and VCO blocks to provide noise immunity.

## 17.6 THERMAL MANAGEMENT

Power consumption of the LMK04000 family of devices can be high enough to require attention to thermal management.

For reliability and performance reasons the die temperature should be limited to a maximum of  $125\text{ }^\circ\text{C}$ . That is, as an estimate,  $T_A$  (ambient temperature) plus device power consumption times  $\theta_{JA}$  should not exceed  $125\text{ }^\circ\text{C}$ .

The package of the device has an exposed pad that provides the primary heat removal path as well as excellent electrical grounding to a printed circuit board. To maximize the removal of heat from the package a thermal land pattern including multiple vias to a ground plane must be incorporated on the PCB within the footprint of the package. The exposed pad must be soldered down to ensure adequate heat conduction out of the package. A recommended land and via pattern is shown in *Figure 5*. More information on soldering LLP packages can be obtained: <http://www.national.com/analog/packaging/>.

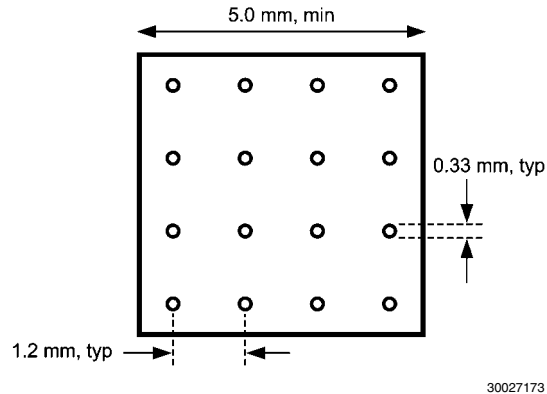
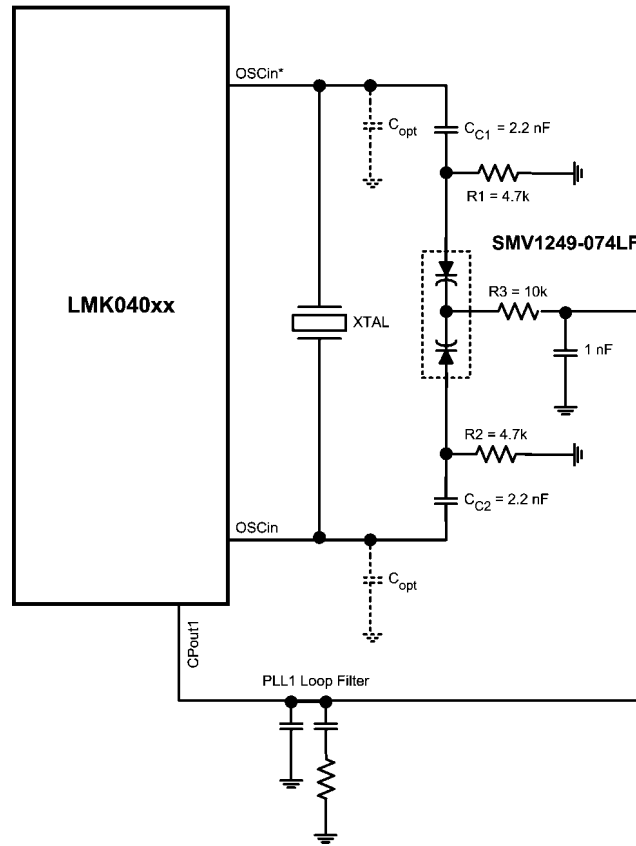


FIGURE 5. Recommended Land and Via Pattern

To minimize junction temperature it is recommended that a simple heat sink be built into the PCB (if the ground plane layer is not exposed). This is done by including a copper area of about 2 square inches on the opposite side of the PCB from the device. This copper area may be plated or solder coated to prevent corrosion but should not have conformal coating (if possible), which could provide thermal insulation. The vias shown in *Figure 5* should connect these top and bottom copper layers and to the ground layer. These vias act as "heat pipes" to carry the thermal energy away from the device side of the board to where it can be more effectively dissipated.



30027163

FIGURE 6. Reference Design Circuit for Crystal Oscillator Option

**17.7 OPTIONAL CRYSTAL OSCILLATOR IMPLEMENTATION (OSCin/OSCin\*)**

The LMK04000 family features supporting circuitry for a discretely implemented oscillator driving the OSCin port pins. Figure 6 illustrates a reference design circuit for a crystal oscillator:

This circuit topology represents a parallel resonant mode oscillator design. When selecting a crystal for parallel resonance, the total load capacitance, C<sub>L</sub>, must be specified. The load capacitance is the sum of the tuning capacitance (C<sub>TUNE</sub>), the capacitance seen looking into the OSCin port (C<sub>IN</sub>), and stray capacitance due to PCB parasitics (C<sub>STRAY</sub>), and is given by:

$$C_L = C_{TUNE} + C_{IN} + \frac{C_{STRAY}}{2}$$

30027164

C<sub>TUNE</sub> is provided by the varactor diode shown in Figure 6, Skyworks model SMV1249-074. A dual diode package with common cathode and provides the variable capacitance for tuning. The single diode capacitance ranges from approximately 31 pF at 0.3 V to 3.4 pF at 3 V. The capacitance range of the dual package (anode to anode) is approximately 15.5 pF at 3 V to 1.7 pF at 0.3 V. The desired value of V<sub>TUNE</sub> applied to the diode should be V<sub>CC</sub>/2, or 1.65 V for V<sub>CC</sub> = 3.3 V. The typical performance curve from the data sheet for the SMV1249-074 indicates that the capacitance at this voltage is approximately 6 pF (12 pF/2).

The nominal input capacitance (C<sub>IN</sub>) of the LMK04000 family OSCin pins is 6 pF. The stray capacitance (C<sub>STRAY</sub>) of the PCB should be minimized by arranging the oscillator circuit layout to achieve trace lengths as short as possible and as narrow as possible trace width (50 Ω characteristic impedance is not required). As an example, assume that C<sub>STRAY</sub> is 4 pF. The total load capacitance is nominally:

$$C_L = 6 + 6 + \frac{4}{2} = 14 \text{ pF}$$

30027165

Consequently the load capacitance specification for the crystal in this case should be nominally 14 pF.

The 2.2 nF capacitors shown in the circuit are coupling capacitors that block the DC tuning voltage applied by the 4.7 k and 10 k resistors. The value of these coupling capacitors should be large, relative to the value of C<sub>TUNE</sub> (C<sub>C1</sub> = C<sub>C2</sub> >> C<sub>TUNE</sub>), so that C<sub>TUNE</sub> becomes the dominant capacitance.

For a specific value of C<sub>L</sub>, the corresponding resonant frequency (F<sub>L</sub>) of the parallel resonant mode circuit is:

$$F_L = F_S \cdot \left\{ \frac{C_1}{2(C_0 + C_{L1})} + 1 \right\} = F_S \cdot \left\{ \frac{1}{2 \left( \frac{C_0}{C_1} + \frac{C_L}{C_1} \right)} + 1 \right\}$$

30027166

F<sub>S</sub> = Series resonant frequency  
 C<sub>1</sub> = Motional capacitance of the crystal

$C_L$  = Load capacitance  
 $C_0$  = Shunt capacitance of the crystal, specified on the crystal datasheet

The normalized tuning range of the circuit is closely approximated by:

$$\frac{\Delta F}{F} = \frac{F_{CL1} - F_{CL2}}{F_{FCL1}} = \frac{C_1}{2} \cdot \left\{ \frac{1}{(C_0 + C_{L1})} - \frac{1}{(C_0 + C_{L2})} \right\} = \frac{1}{2} \cdot \left\{ \frac{1}{\left(\frac{C_0}{C_1} + \frac{C_{L1}}{C_1}\right)} - \frac{1}{\left(\frac{C_0}{C_1} + \frac{C_{L2}}{C_1}\right)} \right\}$$

30027167

$C_{L1}$ ,  $C_{L2}$  = The endpoints of the circuit's load capacitance range, assuming a variable capacitance element is one component of the load.  $F_{CL1}$ ,  $F_{CL2}$  = parallel resonant frequencies at the extremes of the circuit's load capacitance range.

A common range for the pullability ratio,  $C_0/C_1$ , is 250 to 280. The ratio of the load capacitance to the shunt capacitance is  $\sim(n * 1000)$ ,  $n < 10$ . Hence, picking a crystal with a smaller

pullability ratio supports a wider tuning range because this allows the scale factors related to the load capacitance to dominate.

Examples of the phase noise and jitter performance of the LMK04031 with a crystal oscillator are shown in *Table 32*. This table illustrates the clock output phase noise when a 12.288 MHz crystal is paired with PLL1.

**TABLE 32. Example RMS Jitter and Clock Output Phase Noise for LMK04031 with a 12.288 MHz Crystal Driving OSCin (T = 25 °C, V<sub>CC</sub> = 3.3 V) (Note 48)**

RMS Jitter (ps)				
Integration Bandwidth	Clock Output Type	PLL2 PDF = 12.288 MHz (EN_PLL2_REF2X = 0)		PLL2 PDF = 24.576 MHz (EN_PLL2_REF2X = 1)
		F <sub>CLK</sub> = 122.88 MHz	F <sub>CLK</sub> = 153.6 MHz	F <sub>CLK</sub> = 122.88 MHz
100 Hz – 20 MHz	LVPECL	0.279	0.263	0.300
	LVC MOS	0.244	0.248	0.218
	LVDS	0.272	0.269	0.245
10 kHz – 20 MHz	LVPECL	0.251	0.234	0.284
	LVC MOS	0.211	0.215	0.193
	LVDS	0.236	0.235	0.217
Phase Noise (dBc/Hz)				
Offset	Clock Output Type	PLL2 FPD = 12.288 MHz (EN_PLL2_REF2X = 0)		PLL2 FPD = 24.576 MHz (EN_PLL2_REF2X = 1)
		F <sub>CLK</sub> = 122.88 MHz	F <sub>CLK</sub> = 153.6 MHz	F <sub>CLK</sub> = 122.88 MHz
100 Hz	LVPECL	-107	-106	-106
	LVC MOS	-105	-103	-104
	LVDS	-105	-104	-106
1 kHz	LVPECL	-126	-124	-130
	LVC MOS	-125	-124	-127
	LVDS	-126	-123	-126
10 kHz	LVPECL	-125	-124	-131
	LVC MOS	-127	-125	-128
	LVDS	-126	-124	-131
100 kHz	LVPECL	-134	-133	-134
	LVC MOS	-135	-133	-134
	LVDS	-134	-132	-134
1 MHz	LVPECL	-155	-154	-154
	LVC MOS	-157	-155	-155
	LVDS	-155	-153	-154
10 MHz	LVPECL	-158	-158	-158
	LVC MOS	-160	-159	-159
	LVDS	-158	-158	-157

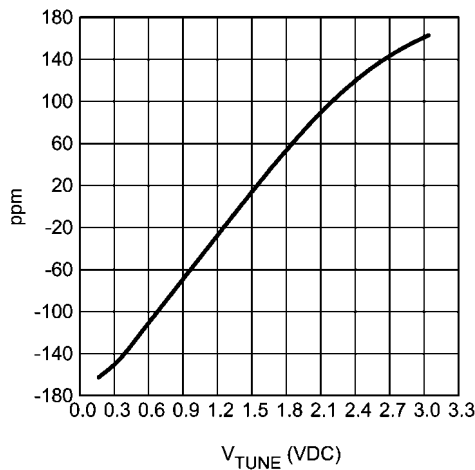
**Note 48:** Performance data and crystal specifications contained in this section are based on Ecliptek model ECX-6465, 12.288 MHz.

Example crystal specifications are presented in Table 33.

**TABLE 33. Example Crystal Specifications**

Parameter	Value
Nominal Frequency (MHz)	12.288
Frequency Stability, T = 25 °C	± 10 ppm
Operating temperature range	-40 °C to +85 °C
Frequency Stability, -40 °C to +85 °C	± 15 ppm
Load Capacitance	14 pF
Shunt Capacitance (C <sub>0</sub> )	5 pF Maximum
Motional Capacitance (C <sub>1</sub> )	20 fF ± 30%
Equivalent Series Resistance	25 Ω Maximum
Drive level	2 mWatts Maximum
C <sub>0</sub> /C <sub>1</sub> ratio	225 typical, 250 Maximum

See Figure 7 for a representative tuning curve.



30027168

**FIGURE 7. Example Tuning Curve, 12.288 MHz Crystal**

The tuning curve achieved in the user's application may differ from the curve shown above due to differences in PCB layout and component selection.

This data is measured on the bench with the crystal integrated with the LMK04000 family. Using a voltmeter to monitor the V<sub>TUNE</sub> node for the crystal, the PLL1 reference clock input frequency is swept in frequency and the resulting tuning voltage generated by PLL1 is measured at each frequency. At each value of the reference clock frequency, the lock state of PLL1 should be monitored to ensure that the tuning voltage applied to the crystal is valid.

The curve shows over the tuning voltage range of 0.17 VDC to 3.0 VDC, the frequency range is ± 163 ppm; or equivalently, a crystal frequency range of ± 2000 Hz. The measured tuning voltage at the nominal crystal frequency (12.288 MHz) is 1.4 V. Using the diode data sheet tuning characteristics, this voltage results in a tuning capacitance of approximately 6.5 pF.

The tuning curve data can be used to calculate the gain of the oscillator (K<sub>VCO</sub>). The data used in the calculations is taken from the most linear portion of the curve, a region centered on the crossover point at the nominal frequency (12.288 MHz). For a well designed circuit, this is the most likely operating range. In this case, the tuning range used for the calculations is ± 1000 Hz (± 0.001 MHz), or ± 81.4 ppm. The simplest method is to calculate the ratio:

$$K_{VCO} = \frac{\Delta F}{\Delta V} = \left( \frac{\Delta F_2 - \Delta F_1}{V_{TUNE2} - V_{TUNE1}} \right), \frac{\text{MHz}}{\text{V}}$$

30027169

ΔF<sub>2</sub> and ΔF<sub>1</sub> are in units of MHz. Using data from the curve this becomes:

$$\frac{0.001 - (-0.001)}{2.03 - 0.814} = 0.00164 \frac{\text{MHz}}{\text{V}}$$

30027135

A second method uses the tuning data in units of ppm:

$$K_{VCO} = \frac{F_{NOM} \cdot (\Delta \text{ppm}_2 - \Delta \text{ppm}_1)}{\Delta V \cdot 10^6}$$

30027136

$F_{NOM}$  is the nominal frequency of the crystal and is in units of MHz. Using the data, this becomes:

$$\frac{12.288 \cdot (81.4 - (-81.4))}{(2.03 - 0.814) \cdot 10^6} = 0.00164, \frac{\text{MHz}}{\text{V}}$$

30027137

In order to ensure startup of the oscillator circuit, the equivalent series resistance (ESR) of the selected crystal should conform to the specifications listed in the table of Electrical Characteristics. It is also important to select a crystal with adequate power dissipation capability, or *drive level*. If the drive level supplied by the oscillator exceeds the maximum specified by the crystal manufacturer, the crystal will undergo excessive aging and possibly become damaged. Drive level is directly proportional to resonant frequency, capacitive load seen by the crystal, voltage and equivalent series resistance (ESR). For more complete coverage of crystal oscillator design, see Application Note AN-1939 at <http://www.national.com/analog/timing/clocking> or <http://www.national.com/appnotes>.

### 17.8 TERMINATION AND USE OF CLOCK OUTPUT (DRIVERS)

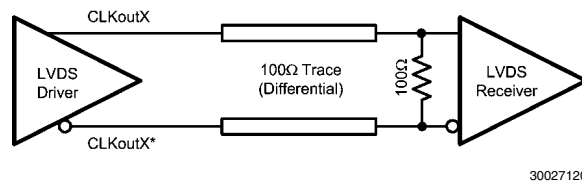
When terminating clock drivers keep in mind these guidelines for optimum phase noise and jitter performance:

- Transmission line theory should be followed for good impedance matching to prevent reflections.
- Clock drivers should be presented with the proper loads. For example:
  - LVDS drivers are current drivers and require a closed current loop.
  - LVPECL drivers are open emitters and require a DC path to ground.
- Receivers should be presented with a signal biased to their specified DC bias level (common mode voltage) for proper operation. Some receivers have self-biasing inputs that automatically bias to the proper voltage level. In this case, the signal should normally be AC coupled.

It is possible to drive a non-LVPECL or non-LVDS receiver with an LVDS or LVPECL driver as long as the above guidelines are followed. Check the datasheet of the receiver or input being driven to determine the best termination and coupling method to be sure that the receiver is biased at its optimum DC voltage (common mode voltage). For example, when driving the OSCin/OSCin\* input of the LMK04000 family, OSCin/OSCin\* should be AC coupled because OSCin/OSCin\* biases the signal to the proper DC level (See Figure 3) This is only slightly different from the AC coupled cases described in Section 17.9.2 Driving CLKin Pins with a Single-Ended Source because the DC blocking capacitors are placed between the termination and the OSCin/OSCin\* pins, but the concept remains the same. The receiver (OSCin/OSCin\*) sets the input to the optimum DC bias voltage (common mode voltage), not the driver.

#### 17.8.1 Termination for DC Coupled Differential Operation

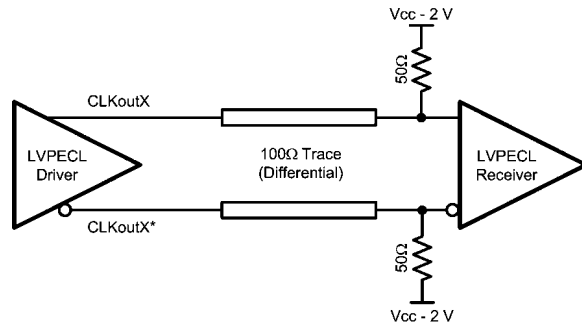
For DC coupled operation of an LVDS driver, terminate with 100 Ω as close as possible to the LVDS receiver as shown in Figure 8.



30027120

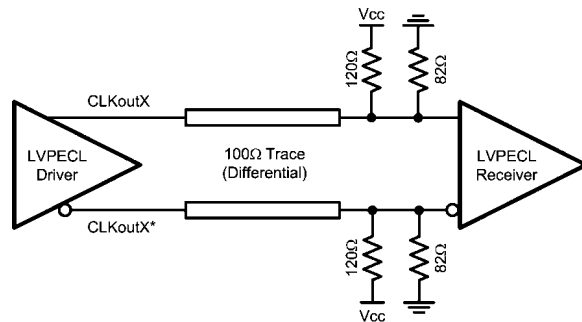
**FIGURE 8. Differential LVDS Operation, DC Coupling, No Biasing of the Receiver**

For DC coupled operation of an LVPECL driver, terminate with 50 Ω to  $V_{CC} - 2 \text{ V}$  as shown in Figure 9. Alternatively terminate with a Thevenin equivalent circuit (120 Ω resistor connected to  $V_{CC}$  and an 82 Ω resistor connected to ground with the driver connected to the junction of the 120 Ω and 82 Ω resistors) as shown in Figure 10 for  $V_{CC} = 3.3 \text{ V}$ .



30027118

**FIGURE 9. Differential LVPECL Operation, DC Coupling**



30027121

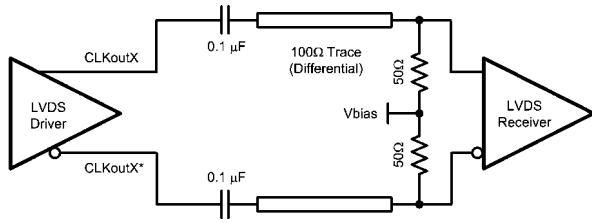
**FIGURE 10. Differential LVPECL Operation, DC Coupling, Thevenin Equivalent**

#### 17.8.2 Termination for AC Coupled Differential Operation

AC coupling allows for shifting the DC bias level (common mode voltage) when driving different receiver standards. Since AC coupling prevents the driver from providing a DC bias voltage at the receiver it is important to ensure the receiver is biased to its ideal DC level.

When driving non-biased LVDS receivers with an LVDS driver, the signal may be AC coupled by adding DC blocking capacitors, however the proper DC bias point needs to be established at the receiver. One way to do this is with the termination circuitry in Figure 11.

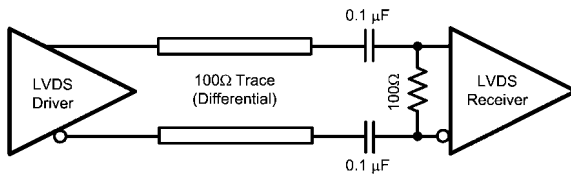




30027119

**FIGURE 11. Differential LVDS Operation, AC Coupling, External Biasing at the Receiver**

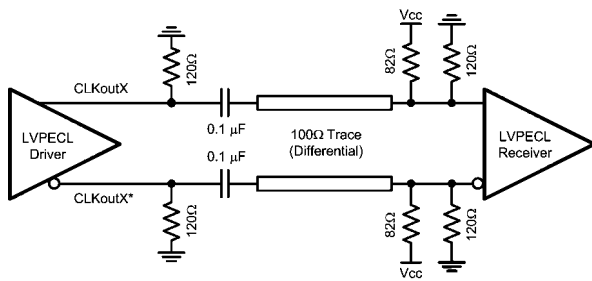
Some LVDS receivers may effectively have internal biasing on the inputs. In this case, the circuit shown in *Figure 11* is modified by replacing the 50 Ω terminations to  $V_{CC}-2$  V with a single 100 Ω resistor across the input pins of the receiver, as shown in *Figure 12*. When using AC coupling with LVDS outputs, there may be a startup delay observed in the clock output due to capacitor charging. The previous figures employ a 0.1 μF capacitor. This value may need to be adjusted to meet the startup requirements for a particular application.



30027182

**FIGURE 12. LVDS Termination for a Self-Biased Receiver**

LVPECL drivers require a DC path to ground. When AC coupling an LVPECL signal use 120 Ω emitter resistors close to the LVPECL driver to provide a DC path to ground as shown in *Figure 13*. For proper receiver operation, the signal should be biased to the DC bias level (common mode voltage) specified by the receiver. The typical DC bias voltage for LVPECL receivers is 2 V. A Thevenin equivalent circuit (82 Ω resistor connected to  $V_{CC}$  and a 120 Ω resistor connected to ground with the driver connected to the junction of the 82 Ω and 120 Ω resistors) is a valid termination as shown in *Figure 13* for  $V_{CC} = 3.3$  V. Note this Thevenin circuit is different from the DC coupled example in *Figure 10*.



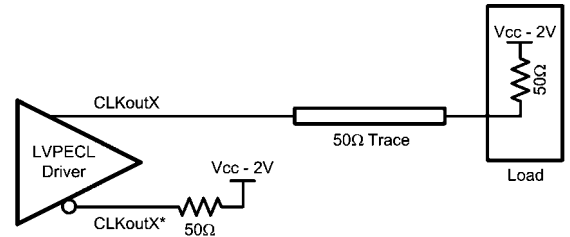
30027117

**FIGURE 13. Differential LVPECL Operation, AC Coupling, Thevenin Equivalent, External Biasing at the Receiver**

**17.8.3 Termination for Single-Ended Operation**

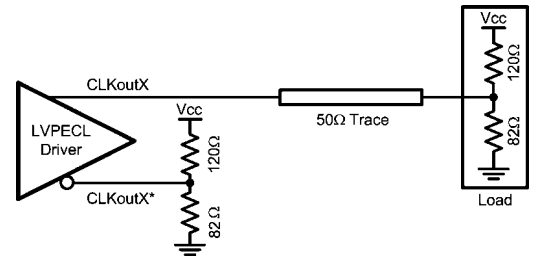
A balun can be used with either LVDS or LVPECL drivers to convert the balanced, differential signal into an unbalanced, single-ended signal.

It is possible to use an LVPECL driver as one or two separate 800 mVpp signals. When using only one LVPECL driver of a CLKoutX/CLKoutX\* pair, be sure to properly terminated the unused driver. When DC coupling one of the LMK04000 family clock LVPECL drivers, the termination should be 50 Ω to  $V_{CC} - 2$  V as shown in *Figure 14*. The Thevenin equivalent circuit is also a valid termination as shown in *Figure 15* for  $V_{CC} = 3.3$  V.



30027115

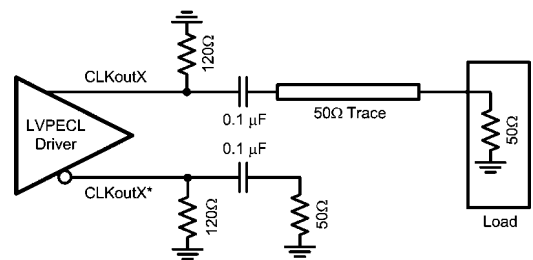
**FIGURE 14. Single-Ended LVPECL Operation, DC Coupling**



30027116

**FIGURE 15. Single-Ended LVPECL Operation, DC Coupling, Thevenin Equivalent**

When AC coupling an LVPECL driver use a 120 Ω emitter resistor to provide a DC path to ground and ensure a 50 Ω termination with the proper DC bias level for the receiver. The typical DC bias voltage for LVPECL receivers is 2 V (See *Section 17.9.2 Driving CLKin Pins with a Single-Ended Source*). If the companion driver is not used it should be terminated with either a proper AC or DC termination. This latter example of AC coupling a single-ended LVPECL signal can be used to measure single-ended LVPECL performance using a spectrum analyzer or phase noise analyzer. When using most RF test equipment no DC bias point (0 VDC) is required for safe and proper operation. The internal 50 Ω termination of the test equipment correctly terminates the LVPECL driver being measured as shown in *Figure 16*.



30027114

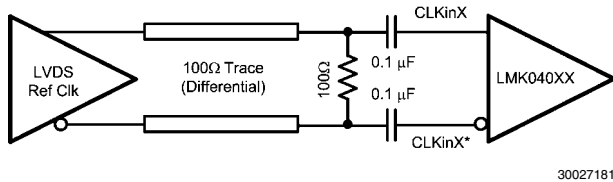
**FIGURE 16. Single-Ended LVPECL Operation, AC Coupling**



## 17.9 DRIVING CLKin AND OSCin INPUTS

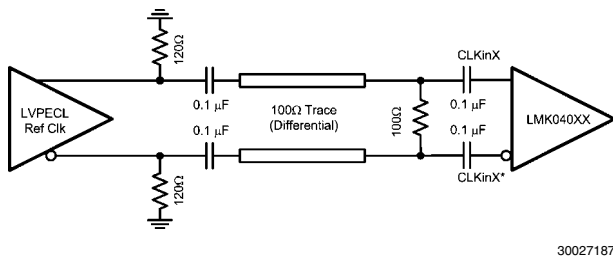
### 17.9.1 Driving CLKin Pins with a Differential Source

Both CLKin ports can be driven by differential signals. It is recommended that the input mode be set to bipolar (CLKinX\_TYPE = 0) when using differential reference clocks. The LMK04000 family internally biases the input pins so the differential interface should be AC coupled. The recommended circuits for driving the CLKin pins with either LVDS or LVPECL are shown in Figure 17 and Figure 18.



30027181

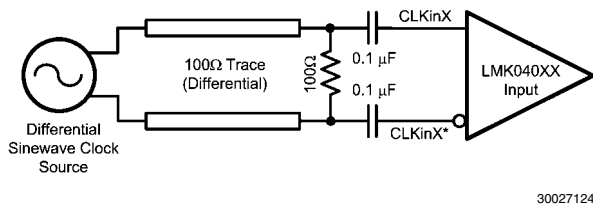
**FIGURE 17. CLKinX/X\* Termination for an LVDS Reference Clock Source**



30027187

**FIGURE 18. CLKinX/X\* Termination for an LVPECL Reference Clock Source**

Finally, a reference clock source that produces a differential sinewave output can drive the CLKin pins using the following circuit. Note: the signal level must conform to the requirements for the CLKin pins listed in the Electrical Characteristics table.



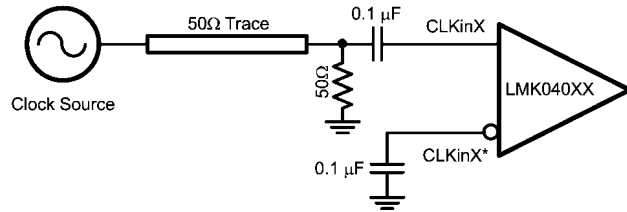
30027124

**FIGURE 19. CLKinX/X\* Termination for a Differential Sinewave Reference Clock Source**

### 17.9.2 Driving CLKin Pins with a Single-Ended Source

The CLKin pins of the LMK04000 family can be driven using a single-ended reference clock source, for example, either a sinewave source or an LVCMOS/LVTTL source. Either AC coupling or DC coupling may be used. In the case of the sinewave source that is expecting a 50 Ω load, it is recommended that AC coupling be used as shown in the circuit below with a 50 Ω termination.

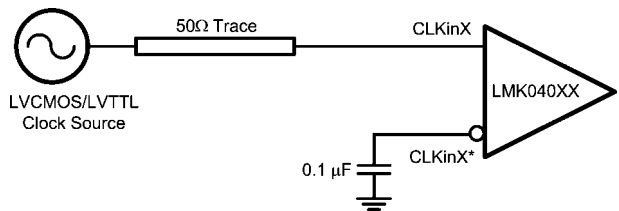
Note: The signal level must conform to the requirements for the CLKin pins listed in the Electrical Characteristics table. CLKinX\_TYPE in Register 11 is recommended to be set to bipolar mode (CLKinX\_TYPE = 0).



30027122

**FIGURE 20. CLKinX/X\* Single-ended Termination**

If the CLKin pins are being driven with a single-ended LVCMOS/LVTTL source, either DC coupling or AC coupling may be used. If DC coupling is used, the CLKinX\_TYPE should be set to MOS buffer mode (CLKinX\_TYPE = 1) and the voltage swing of the source must meet the specifications for DC coupled, MOS-mode clock inputs given in the table of Electrical Characteristics. If AC coupling is used, the CLKinX\_TYPE should be set to the bipolar buffer mode (CLKinX\_TYPE = 0). The voltage swing at the input pins must meet the specifications for AC coupled, bipolar mode clock inputs given in the table of Electrical Characteristics. In this case, some attenuation of the clock input level may be required. A simple resistive divider circuit before the AC coupling capacitor is sufficient.



30027185

**FIGURE 21. DC Coupled LVCMOS/LVTTL Reference Clock**

## 17.10 ADDITIONAL OUTPUTS WITH AN LMK04000 FAMILY DEVICE

The number of outputs on a LMK04000 family device can be expanded in many ways. The first method is to use the differential outputs as two single-ended outputs. For CMOS outputs, both the positive and negative outputs can be programmed to be in phase, or 180 degrees out of phase. LVDS/LVPECL positive and negative outputs are always 180 degrees out of phase. LVDS single-ended is not recommended.

In addition to this technique, the number of outputs can be expanded with a LMK01000 family device. To do this, one of the clock outputs of a LMK04000 can drive the LMK01000 device. For more information on phase synchronization with multiple devices, please refer to application note AN-1864: <http://www.national.com/an/AN/AN-1864.pdf>.

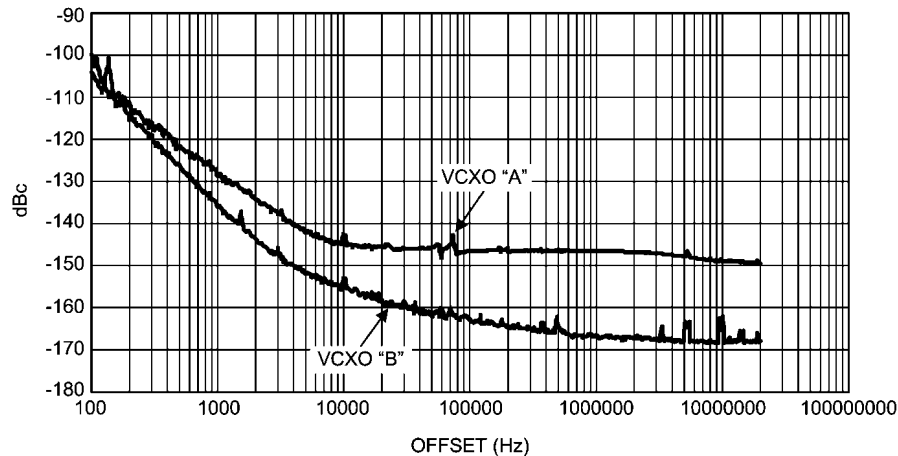
## 17.11 OUTPUT CLOCK PHASE NOISE PERFORMANCE VS. VCXO PHASE NOISE

The jitter cleaning capability of the LMK04000 family is highly dependent on the phase noise performance of the VCXO (or crystal) that is integrated with PLL1. The VCXO is the reference for PLL2 which provides the clock for the output distribution path. Consequently, the designer must choose a VCXO (or crystal) that supports the required performance at the clock outputs.

An example of the difference in performance that can be obtained from various VCXOs is illustrated in the following plots.

Figure 22 compares the phase noise of two different VCXOs: VCXO "A" and VCXO "B". Both VCXOs have a center frequency of 100 MHz. The figure of merit, RMS jitter, is mea-

sured over the bandwidth 100 Hz to 200 kHz. This is the most relevant integration bandwidth for the VCXO because it will have the most impact inside the loop bandwidth of PLL2.



30027147

FIGURE 22. VCXO Phase Noise Comparison, 100 MHz

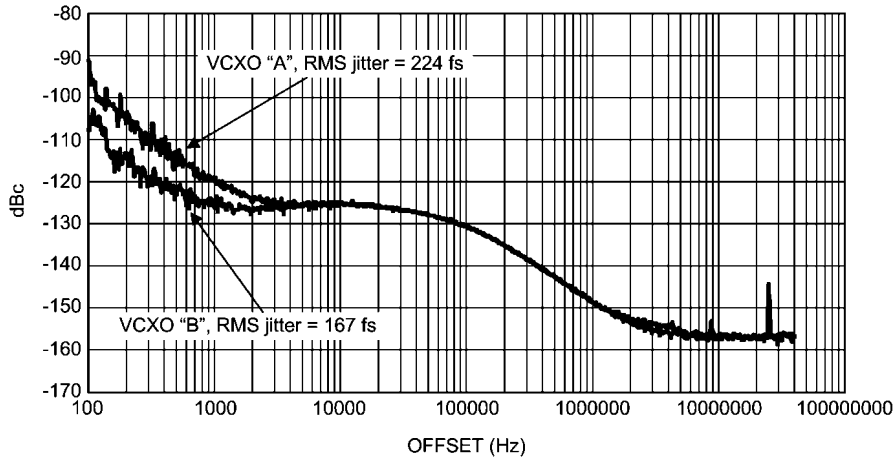
This plot shows that VCXO "B" exhibits superior phase noise when compared to VCXO "A". Both VCXOs offer excellent jitter performance from 100 Hz to 200 kHz. VCXO "A" exhibits RMS jitter of 151 femtoseconds (fs), while VCXO "B" has RMS jitter of 90 fs.

Figures 23, 24, 25 present a side-by-side comparison of clock output phase noise at 250 MHz, organized by output format and associated VCXO. The total RMS jitter listed on the plots is integrated from 100 Hz to 20 MHz. Examining these plots, the clock output phase noise associated with VCXO "B" is superior in all cases. The average improvement in RMS jitter due to VCXO "B" is approximately 47 fs. The plots show the primary difference in clock output phase noise is in the band from 100 Hz to approximately 4 kHz. Across this range, the VCXO phase noise dominates that of the PLL, given the loop bandwidth of this design, which is 152 kHz. Above 4 kHz, the PLL noise dominates (inside the loop bandwidth), so it is ba-

sically the same for either VCXO. Comparing the jitter of two VCXOs in the 100 Hz to 4 kHz band, it can be shown that VCXO "A" exhibits jitter of 142 fs, and VCXO "B" exhibits jitter of 90 fs. The difference, 52 fs, accounts for the majority of the average difference in RMS jitter at the clock outputs when comparing VCXOs.

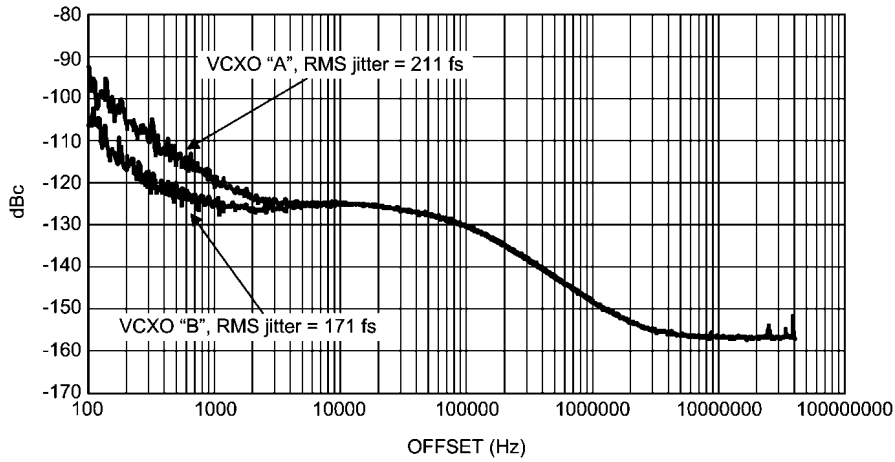
The PLL configurations listed below were the same for both VCXOs/LMK040xx pair:

- PLL1 loop filter components: C1 = 100 nF, C2 = 680 nF, R2 = 39 k $\Omega$
- PLL1  $f_{PD}$  = 1 MHz, CP gain = 100  $\mu$ A, loop BW = 20 Hz
- PLL2 loop filter components: C1 = 0, C2 = 12 nF, R2 = 1.8 k $\Omega$
- PLL2  $f_{PD}$  = 25 MHz, CP gain = 3200  $\mu$ A, loop BW = 152 kHz



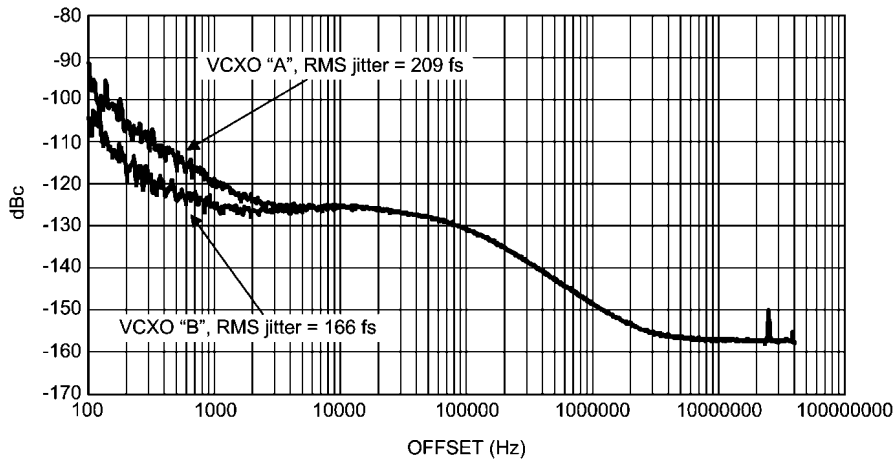
30027150

FIGURE 23. LVDS Clock Output Phase Noise Comparison, 250 MHz



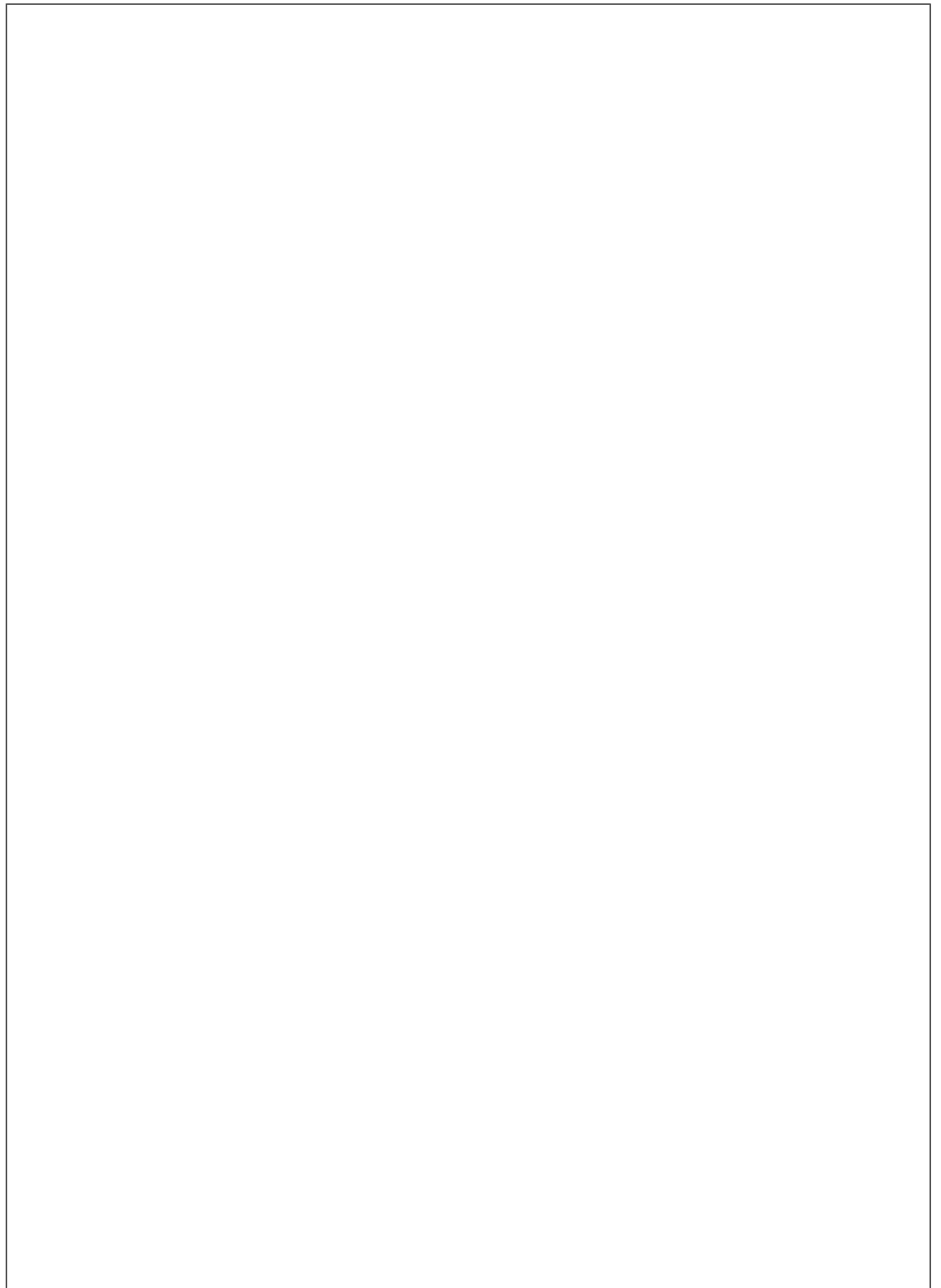
30027151

FIGURE 24. LVPECL Clock Output Phase Noise Comparison, 250 MHz

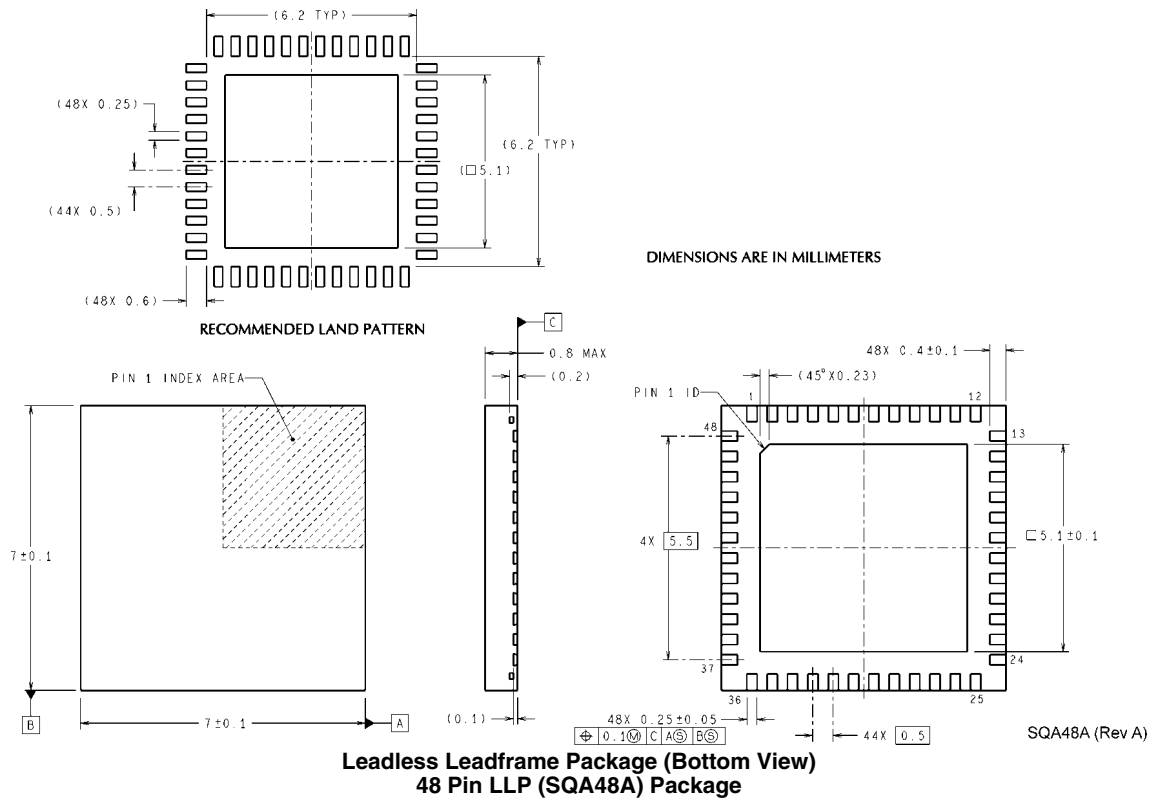


30027152

FIGURE 25. LVCMOS Clock Output Phase Noise Comparison, 250 MHz



## 18.0 Physical Dimensions inches (millimeters) unless otherwise noted



## 19.0 Ordering Information

Order Number	VCO Frequency Band	Packing	Package Marking
LMK04000BISQX	1.2 GHz	2500 Unit Tape and Reel	K04000BI
LMK04000BISQ	1.2 GHz	1000 Unit Tape and Reel	K04000BI
LMK04000BISQE	1.2 GHz	250 Unit Tape and Reel	K04000BI
LMK04001BISQX	1.5 GHz	2500 Unit Tape and Reel	K04001BI
LMK04001BISQ	1.5 GHz	1000 Unit Tape and Reel	K04001BI
LMK04001BISQE	1.5 GHz	250 Unit Tape and Reel	K04001BI
LMK04002BISQX	1.6 GHz	2500 Unit Tape and Reel	K04002BI
LMK04002BISQ	1.6 GHz	1000 Unit Tape and Reel	K04002BI
LMK04002BISQE	1.6 GHz	250 Unit Tape and Reel	K04002BI
LMK04010BISQX	1.2 GHz	2500 Unit Tape and Reel	K04010BI
LMK04010BISQ	1.2 GHz	1000 Unit Tape and Reel	K04010BI
LMK04010BISQE	1.2 GHz	250 Unit Tape and Reel	K04010BI
LMK04011BISQX	1.5 GHz	2500 Unit Tape and Reel	K04011BI
LMK04011BISQ	1.5 GHz	1000 Unit Tape and Reel	K04011BI
LMK04011BISQE	1.5 GHz	250 Unit Tape and Reel	K04011BI
LMK04031BISQX	1.5 GHz	2500 Unit Tape and Reel	K04031BI
LMK04031BISQ	1.5 GHz	1000 Unit Tape and Reel	K04031BI
LMK04031BISQE	1.5 GHz	250 Unit Tape and Reel	K04031BI
LMK04033BISQX	2.0 GHz	2500 Unit Tape and Reel	K04033BI
LMK04033BISQ	2.0 GHz	1000 Unit Tape and Reel	K04033BI
LMK04033BISQE	2.0 GHz	250 Unit Tape and Reel	K04033BI

## Notes

For more National Semiconductor product information and proven design tools, visit the following Web sites at:

Products		Design Support	
Amplifiers	<a href="http://www.national.com/amplifiers">www.national.com/amplifiers</a>	WEBENCH® Tools	<a href="http://www.national.com/webench">www.national.com/webench</a>
Audio	<a href="http://www.national.com/audio">www.national.com/audio</a>	App Notes	<a href="http://www.national.com/appnotes">www.national.com/appnotes</a>
Clock and Timing	<a href="http://www.national.com/timing">www.national.com/timing</a>	Reference Designs	<a href="http://www.national.com/refdesigns">www.national.com/refdesigns</a>
Data Converters	<a href="http://www.national.com/adc">www.national.com/adc</a>	Samples	<a href="http://www.national.com/samples">www.national.com/samples</a>
Interface	<a href="http://www.national.com/interface">www.national.com/interface</a>	Eval Boards	<a href="http://www.national.com/evalboards">www.national.com/evalboards</a>
LVDS	<a href="http://www.national.com/lvds">www.national.com/lvds</a>	Packaging	<a href="http://www.national.com/packaging">www.national.com/packaging</a>
Power Management	<a href="http://www.national.com/power">www.national.com/power</a>	Green Compliance	<a href="http://www.national.com/quality/green">www.national.com/quality/green</a>
Switching Regulators	<a href="http://www.national.com/switchers">www.national.com/switchers</a>	Distributors	<a href="http://www.national.com/contacts">www.national.com/contacts</a>
LDOs	<a href="http://www.national.com/ldo">www.national.com/ldo</a>	Quality and Reliability	<a href="http://www.national.com/quality">www.national.com/quality</a>
LED Lighting	<a href="http://www.national.com/led">www.national.com/led</a>	Feedback/Support	<a href="http://www.national.com/feedback">www.national.com/feedback</a>
Voltage Reference	<a href="http://www.national.com/vref">www.national.com/vref</a>	Design Made Easy	<a href="http://www.national.com/easy">www.national.com/easy</a>
PowerWise® Solutions	<a href="http://www.national.com/powerwise">www.national.com/powerwise</a>	Solutions	<a href="http://www.national.com/solutions">www.national.com/solutions</a>
Serial Digital Interface (SDI)	<a href="http://www.national.com/sdi">www.national.com/sdi</a>	Mil/Aero	<a href="http://www.national.com/milaero">www.national.com/milaero</a>
Temperature Sensors	<a href="http://www.national.com/tempensors">www.national.com/tempensors</a>	SolarMagic™	<a href="http://www.national.com/solarmagic">www.national.com/solarmagic</a>
Wireless (PLL/VCO)	<a href="http://www.national.com/wireless">www.national.com/wireless</a>	PowerWise® Design University	<a href="http://www.national.com/training">www.national.com/training</a>

THE CONTENTS OF THIS DOCUMENT ARE PROVIDED IN CONNECTION WITH NATIONAL SEMICONDUCTOR CORPORATION ("NATIONAL") PRODUCTS. NATIONAL MAKES NO REPRESENTATIONS OR WARRANTIES WITH RESPECT TO THE ACCURACY OR COMPLETENESS OF THE CONTENTS OF THIS PUBLICATION AND RESERVES THE RIGHT TO MAKE CHANGES TO SPECIFICATIONS AND PRODUCT DESCRIPTIONS AT ANY TIME WITHOUT NOTICE. NO LICENSE, WHETHER EXPRESS, IMPLIED, ARISING BY ESTOPPEL OR OTHERWISE, TO ANY INTELLECTUAL PROPERTY RIGHTS IS GRANTED BY THIS DOCUMENT.

TESTING AND OTHER QUALITY CONTROLS ARE USED TO THE EXTENT NATIONAL DEEMS NECESSARY TO SUPPORT NATIONAL'S PRODUCT WARRANTY. EXCEPT WHERE MANDATED BY GOVERNMENT REQUIREMENTS, TESTING OF ALL PARAMETERS OF EACH PRODUCT IS NOT NECESSARILY PERFORMED. NATIONAL ASSUMES NO LIABILITY FOR APPLICATIONS ASSISTANCE OR BUYER PRODUCT DESIGN. BUYERS ARE RESPONSIBLE FOR THEIR PRODUCTS AND APPLICATIONS USING NATIONAL COMPONENTS. PRIOR TO USING OR DISTRIBUTING ANY PRODUCTS THAT INCLUDE NATIONAL COMPONENTS, BUYERS SHOULD PROVIDE ADEQUATE DESIGN, TESTING AND OPERATING SAFEGUARDS.

EXCEPT AS PROVIDED IN NATIONAL'S TERMS AND CONDITIONS OF SALE FOR SUCH PRODUCTS, NATIONAL ASSUMES NO LIABILITY WHATSOEVER, AND NATIONAL DISCLAIMS ANY EXPRESS OR IMPLIED WARRANTY RELATING TO THE SALE AND/OR USE OF NATIONAL PRODUCTS INCLUDING LIABILITY OR WARRANTIES RELATING TO FITNESS FOR A PARTICULAR PURPOSE, MERCHANTABILITY, OR INFRINGEMENT OF ANY PATENT, COPYRIGHT OR OTHER INTELLECTUAL PROPERTY RIGHT.

### LIFE SUPPORT POLICY

**NATIONAL'S PRODUCTS ARE NOT AUTHORIZED FOR USE AS CRITICAL COMPONENTS IN LIFE SUPPORT DEVICES OR SYSTEMS WITHOUT THE EXPRESS PRIOR WRITTEN APPROVAL OF THE CHIEF EXECUTIVE OFFICER AND GENERAL COUNSEL OF NATIONAL SEMICONDUCTOR CORPORATION.** As used herein:

Life support devices or systems are devices which (a) are intended for surgical implant into the body, or (b) support or sustain life and whose failure to perform when properly used in accordance with instructions for use provided in the labeling can be reasonably expected to result in a significant injury to the user. A critical component is any component in a life support device or system whose failure to perform can be reasonably expected to cause the failure of the life support device or system or to affect its safety or effectiveness.

National Semiconductor and the National Semiconductor logo are registered trademarks of National Semiconductor Corporation. All other brand or product names may be trademarks or registered trademarks of their respective holders.

Copyright© 2009 National Semiconductor Corporation

For the most current product information visit us at [www.national.com](http://www.national.com)



**National Semiconductor Americas Technical Support Center**  
 Email: [support@nsc.com](mailto:support@nsc.com)  
 Tel: 1-800-272-9959

**National Semiconductor Europe Technical Support Center**  
 Email: [europe.support@nsc.com](mailto:europe.support@nsc.com)

**National Semiconductor Asia Pacific Technical Support Center**  
 Email: [ap.support@nsc.com](mailto:ap.support@nsc.com)

**National Semiconductor Japan Technical Support Center**  
 Email: [jpn.feedback@nsc.com](mailto:jpn.feedback@nsc.com)