

8-CHANNEL ELECTRONIC VOLUME WITH INPUT SELECTOR

■ GENERAL DESCRIPTION

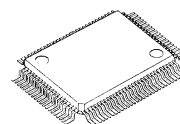
The **NJW1298** is a 8-channel electronic volume with Input Selector. It includes 13-in 4-out stereo audio selector, REC Output and Multi-channel inputs.

The **NJW1298** performs low noise and low distortion characteristics with resistance ladder circuit.

All of functions are controlled via three-wired serial bus. Selectable 2-Chip address is available for using two chips on same serial bus line.

The **NJW1298** is suitable for multi-channel audio system, such as AV amplifier, DVD receiver, and others.

■ PACKAGE OUTLINE

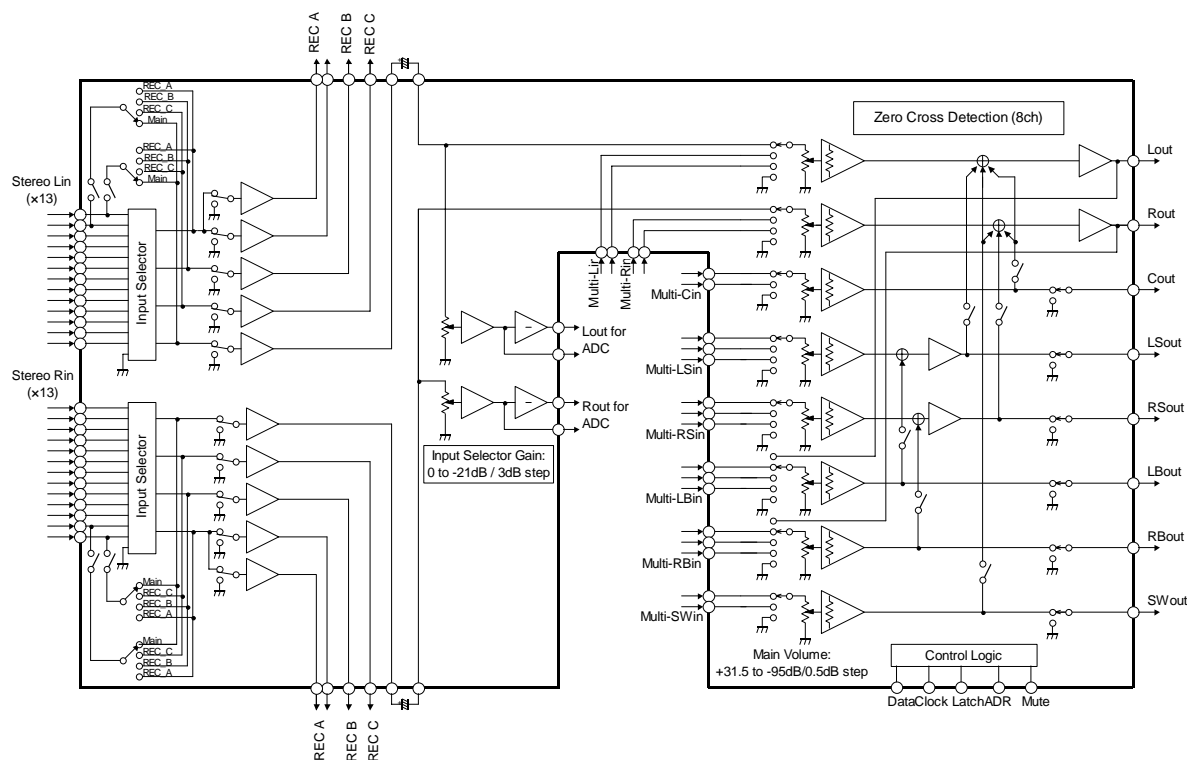


NJW1298FU1

■ FEATURES

- Operating Voltage ±4.5 to ±7.5V
- 3-Wired Serial Control Chip Address Select Function
- 13-input 4-output stereo selector
- Multi-Channel input (8ch x 2)
- Input Selector Gain Control Gain : 0 to -21dB / 3dB step
- Volume +31.5 to -95dB / 0.5dB step, Mute
- SWch, Cch, LS/RSch output addition to L/R ch output
- LB/RBch output addition to LS/RS ch output
- Zero Cross Detection
- Bi-CMOS Technology
- Package Outline QFP100-U1

■ BLOCK DIAGRAM



■ ABSOLUTE MAXIMUM RATING (Ta=25°C)

PARAMETER	SYMBOL	RATING	UNIT
Power Supply Voltage	V ⁺ /V ⁻	+8/-8	V
Maximum Input Voltage	V _{IM}	V ⁺ /V ⁻	V
Power Dissipation	P _D	2,500 NOTE: EIA/JEDEC STANDARD Test board (76.2x114.3x1.6mm, 2layer, FR-4) mounting	mW
Operating Temperature Range	T _{opr}	-40 to +75	°C
Storage Temperature Range	T _{stg}	-40 to +150	°C

■ ELECTRICAL CHARACTERISTICS (Ta=25°C, V⁺/V⁻=±7V, R_L=47kΩ, Volume=0dB)

PARAMETER	SYMBOL	TEST CONDITION	MIN.	TYP.	MAX.	UNIT
◆ Power Supply						
Operating Voltage	V ⁺ /V ⁻		±4.5	±7.0	±7.5	V
Supply Current 1	I _{CC}	No signal	-	45	60	mA
Supply Current 2	I _{EE}	No signal	-	45	60	mA
◆ Input/Output Characteristics (Output)						
Maximum Output Voltage	V _{OM}	f=1kHz, THD=1% Volume=0dB	3.6	4.2	-	V _{rms}
Maximum Input Voltage	V _{IM}	f=1kHz, THD=1% Volume=-20dB	3.6	-	-	V _{rms}
Voltage Gain 1	G _{V1}	V _{IN} =2V _{rms} , f=1kHz Volume=0dB	-0.7	0	+0.7	dB
Voltage Gain 2	G _{V2}	V _{IN} =100mV _{rms} , f=1kHz Volume=+15dB	+14	+15	+16	dB
Voltage Gain Error	ΔG _V	V _{IN} =2V _{rms} , f=1kHz Volume=0dB	-0.5	0	0.5	dB
Maximum Attenuation	A _{TT}	f=1kHz, V _{IN} =2V _{rms} Volume=Mute, A-weight	-	-120	-	dB
Attenuation Error	ΔA _{TT}	f=1kHz, V _{IN} =2V _{rms} Volume=-60dB	-1	0	1	dB
Output Noise1	V _{NO1}	Volume=0dB, R _g =0, A-weight	-	-116 (1.58μ)	-104 (6.3μ)	dBV (V _{rms})
Output Noise2	V _{NO2}	Volume=-95dB, R _g =0, A-weight	-	-116 (1.58μ)	-104 (6.3μ)	dBV (V _{rms})

■ ELECTRICAL CHARACTERISTICS (Ta=25°C, V⁺/V⁻=±7V, RL=47kΩ, Volume=0dB)

PARAMETER	SYMBOL	TEST CONDITION	MIN.	TYP.	MAX.	UNIT
◆ Input/Output Characteristics (Output)						
Total Harmonic Distortion 1	T.H.D.1	f=1kHz, V _{IN} =200mVrms, Volume=0dB, BW=400Hz-30kHz	-	0.0015	-	%
Total Harmonic Distortion 2	T.H.D.2	f=10kHz, V _{IN} =200mVrms, Volume=0dB, BW=400Hz-30kHz	-	0.0015	-	%
Total Harmonic Distortion 3	T.H.D.3	f=1kHz, V _{IN} =2Vrms, Volume=0dB, BW=400Hz-30kHz	-	0.0015	-	%
Total Harmonic Distortion 4	T.H.D.4	f=10kHz, V _{IN} =2Vrms, Volume=0dB, BW=400Hz-30kHz	-	0.0025	-	%
Total Harmonic Distortion 5	T.H.D.5	f=1kHz, V _{IN} =200mVrms, Volume=+15dB, BW=400Hz-30kHz	-	0.0015	-	%
Total Harmonic Distortion 6	T.H.D.6	f=10kHz, V _{IN} =200mVrms, Volume=+15dB, BW=400Hz-30kHz	-	0.002	-	%
Total Harmonic Distortion 7	T.H.D.7	f=1kHz, V _{IN} =2Vrms, Volume=-18dB, BW=400Hz-30kHz	-	0.0025	0.02	%
Total Harmonic Distortion 8	T.H.D.8	f=10kHz, V _{IN} =2Vrms, Volume=-18dB, BW=400Hz-30kHz	-	0.0025	-	%
Cross Talk 1	CT1	f=1kHz, V _{IN} =2Vrms, A-weight Volume=0dB, Rg=0Ω	-	-120	-	dB
Cross Talk 2	CT2	f=20kHz, V _{IN} =2Vrms, Volume=0dB, Rg=0Ω	-	-100	-	dB
Channel Separation 1	CS1	f=1kHz, V _{IN} =2Vrms, A-weight Volume=0dB, Rg=0Ω	-	-110	-80	dB
Channel Separation 2	CS2	f=20kHz, V _{IN} =2Vrms, Volume=0dB, Rg=0Ω	-	-85	-	dB
◆ Input/Output Characteristics (REC output)						
REC Out Voltage Gain	G _{VREC}	V _{IN} =2Vrms, f=1kHz	-0.5	0	0.5	dB
REC Out Output Noise	V _{NOREC}	Rg=0Ω, A-weight	-	-115 (1.79μ)	-	dBV (Vrms)
REC Out Total Harmonic Distortion 1	T.H.D _{REC1}	f=1kHz, V _{IN} =2Vrms, BW=400Hz-30kHz	-	0.0005	0.05	%
REC Out Total Harmonic Distortion 2	T.H.D _{REC2}	f=1kHz, V _{IN} =1Vrms, BW=400Hz-30kHz	-	0.0005	-	%
REC Out Maximum Attenuation	A _{TTREC}	f=1kHz, V _{IN} =2Vrms REC Out=Mute, A-weight	-	-120	-	dB
◆ Input Selector Gain Control Characteristics						
Input Selector Gain Control Voltage Gain 1	G _{VINC1}	f=1kHz, V _{IN} =2Vrms, Input Selector Gain = 0dB	-1.0	0	+1.0	dB
Input Selector Gain Control Voltage Gain 2	G _{VINC2}	f=1kHz, V _{IN} =2Vrms, Input Selector Gain = -12dB	-13.0	-12.0	-11.0	dB
Input Selector Gain Control Voltage Gain 3	G _{VINC3}	f=1kHz, V _{IN} =2Vrms, Input Selector Gain = -21dB	-22.0	-21.0	-20.0	dB
◆ Logic Control Characteristics						
High Level Input Voltage	V _{IH}	DATA, CLOCK, LATCH, ADR, MUTE Terminal Input	2.5	-	V ⁺	V
Low Level Input Voltage	V _{IL}	DATA, CLOCK, LATCH, ADR, MUTE Terminal Input	0	-	1.5	V

[CAUTION]
The specifications on this databook are only given for information, without any guarantee as regards either mistakes or omissions. The application circuits in this databook are described only to show representative usages of the product and not intended for the guarantee or permission of any right including the industrial rights.