

PC87311A/PC87312 (SuperI/O™ II/III) Floppy Disk Controller with Dual UARTs, Parallel Port, and IDE Interface

General Description

The PC87311A/12 incorporates a floppy disk controller (FDC), two full function UARTs, a bidirectional parallel port, and IDE interface control logic in one chip. The PC87311A includes standard AT/XT address decoding for on-chip functions and a Configuration Register, offering a single chip solution to the most commonly used IBM® PC®, PC-XT®, and PC-AT® peripherals. The PC87312 includes standard AT address decoding for on-chip functions and a Configuration Register set, offering a single chip solution to the most commonly used ISA, EISA and Micro Channel peripherals.

The on-chip FDC is software compatible to the PC8477, which contains a superset of the DP8473 and NEC μ PD765 and the N82077 floppy disk controller functions. The on-chip analog data separator requires no external components and supports the 4 Mb drive format as well as the other standard floppy drives used with 5.25" and 3.5" media.

In the PC87311A, the UARTs are equivalent to two INS8250N-Bs or NS16450s. The bidirectional parallel port maintains complete compatibility with the IBM PC, XT and AT. In the PC87312 the UARTs are equivalent to two NS16450s or PC16550s. The bidirectional parallel port maintains complete compatibility with the ISA, EISA and Micro Channel parallel ports.

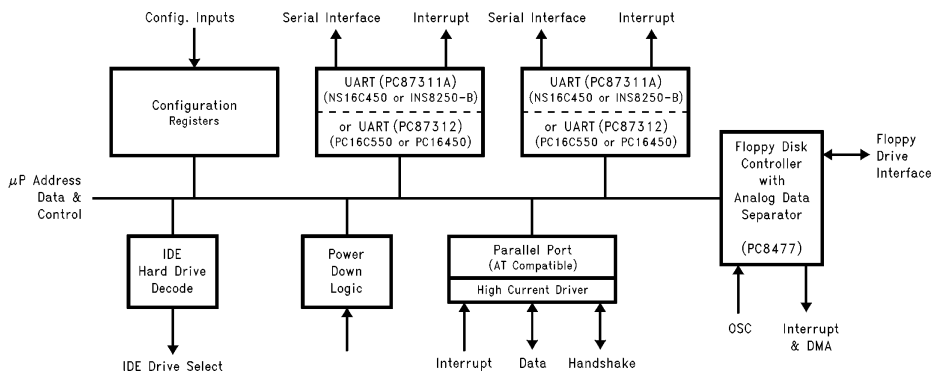
The IDE control logic provides a complete IDE interface except for the signal buffers. The Configuration Registers consist of three byte-wide registers. An Index and a Data Register which can be relocated within the ISA I/O address space access the Configuration Registers.

Features

- 100% compatible with IBM PC, XT, and AT architectures (PC87311A), or ISA, EISA, and Micro Channel architectures (PC87312)
- FDC:
 - Software compatible with the DP8473, the 765A and the N82077
 - 16-byte FIFO (default disabled)
 - Burst and Non-Burst modes
 - Perpendicular Recording drive support
 - High performance internal analog data separator (no external filter components required)
 - Low power CMOS with power down mode
- UARTs:
 - Software compatible with the INS8250N-B and the NS16450 (PC87311A), or PC16550A and PC16450 (PC87312)
- Parallel Port:
 - Bidirectional under either software or hardware control
 - Compatible with all IBM PC, XT and AT architectures (PC87311A), or all ISA, EISA, and Micro Channel architectures (PC87312)
 - Back Voltage protection circuit against damage caused when printer is powered up
- IDE Control Logic:
 - Provides a complete IDE interface except for optional buffers
- Address Decoder:
 - Provides selection of all primary and secondary ISA addresses including COM 1–4.
- 100-pin QFP package
 - The PC87311A and PC87312 are pin compatible

PC87311A/PC87312 (SuperI/O II/III) Floppy Disk Controller with Dual UARTs, Parallel Port, and IDE Interface

Block Diagram



TL/F/11362-1

TRI-STATE® is a registered trademark of National Semiconductor Corporation.
 SuperI/O™ is a trademark of National Semiconductor Corporation.
 IBM®, PC®, PC-AT®, PC-XT® and PS/2® are registered trademarks of International Business Machines Corporation.

Table of Contents

1.0 PIN DESCRIPTION	6	4.2.10 Read Deleted Data Command	36
2.0 CONFIGURATION REGISTERS	12	4.2.11 Read ID Command	36
2.1 Overview	12	4.2.12 Read A Track Command	36
2.2 Software Configuration	12	4.2.13 Recalibrate Command	36
2.3 Hardware Configuration	12	4.2.14 Relative Seek Command	36
2.4 Index and Data Registers	14	4.2.15 Scan Commands	37
2.5 Base Configuration Registers	14	4.2.16 Seek Command	37
2.5.1 Function Enable Register (FER)	14	4.2.17 Sense Drive Status Command	37
2.5.2 Function Address Register (FAR)	16	4.2.18 Sense Interrupt Command	37
2.5.3 Power and Test Register (PTR)	16	4.2.19 Set Track Command	38
2.6 Power Down Options	16	4.2.20 Specify Command	38
2.7 Power Up Procedure and Considerations	17	4.2.21 Verify Command	39
2.7.1 Crystal Stabilization	17	4.2.22 Version Command	39
2.7.2 UART Power-Up	17	4.2.23 Write Data Command	39
2.7.3 FDC Power-Up	17	4.2.24 Write Deleted Data Command	40
3.0 FDC REGISTER DESCRIPTION	17	5.0 FDC FUNCTIONAL DESCRIPTION	40
3.1 Status Register A (SRA)	18	5.1 Microprocessor Interface	40
3.1.1 SRA—PS/2 Mode	19	5.2 Modes of Operation	41
3.1.2 SRA—Model 30 Mode	19	5.3 Controller Phases	41
3.2 Status Register B (SRB)	19	5.3.1 Command Phase	41
3.2.1 SRB—PS/2 Mode	19	5.3.2 Execution Phase	41
3.2.2 SRB—Model 30 Mode	19	5.3.2.1 DMA Mode—FIFO Disabled	41
3.3 Digital Output Register (DOR)	20	5.3.2.2 DMA Mode—FIFO Enabled	42
3.4 Tape Drive Register (TDR)	20	5.3.2.3 Interrupt Mode—FIFO Disabled	42
3.5 Main Status Register (MSR)	20	5.3.2.4 Interrupt Mode—FIFO Enabled	43
3.6 Data Rate Select Register (DSR)	21	5.3.2.5 Software Polling	43
3.7 Data Register (FIFO)	22	5.3.3 Result Phase	43
3.8 Digital Input Register (DIR)	22	5.3.4 Idle Phase	43
3.8.1 DIR—PC-AT Mode	22	5.3.5 Drive Polling Phase	43
3.8.2 DIR—PS/2 Mode	22	5.4 Data Separator	43
3.8.3 DIR—Model 30 Mode	22	5.5 Crystal Oscillator	45
3.9 Configuration Control Register (CCR)	23	5.6 Perpendicular Recording Mode	46
3.9.1 CCR—PC-AT and PS/2 Modes	23	5.7 Data Rate Selection	47
3.9.2 CCR—Model 30 Mode	23	5.8 Write Precompensation	47
3.10 Result Phase Status Registers	23	5.9 FDC Low Power Mode Logic	47
3.10.1 Status Register 0 (ST0)	23	5.10 Reset Operation	47
3.10.2 Status Register 1 (ST1)	23	6.0 SERIAL PORTS	48
3.10.3 Status Register 2 (ST2)	24	6.1 Introduction	48
3.10.4 Status Register 3 (ST3)	24	6.2 PC87311A Serial Ports	48
4.0 FDC COMMAND SET DESCRIPTION	24	6.2.1 Serial Port Registers	48
4.1 Command Set Summary	24	6.2.2 Line Control Register (LCR)	48
4.2 Command Description	28	6.2.3 Programmable Baud Rate Generator	51
4.2.1 Configure Command	28	6.2.4 Line Status Register (LSR)	51
4.2.2 Dumpreg Command	29	6.2.5 Interrupt Identification Register (IIR)	52
4.2.3 Format Track Command	29	6.2.6 Interrupt Enable Register (IER)	52
4.2.4 Invalid Command	32	6.2.7 MODEM Control Register (MCR)	52
4.2.5 Lock Command	32	6.2.8 MODEM Status Register (MSR)	53
4.2.6 Mode Command	32	6.2.9 Scratchpad Register (SCR)	53
4.2.7 NSC Command	33	6.3 PC87312 Serial Ports	53
4.2.8 Perpendicular Mode Command	33	6.3.1 Serial Port Registers	53
4.2.9 Read Data Command	34	6.3.2 Line Control Register (LCR)	53
		6.3.3 Programmable Baud Rate Generator	56

Table of Contents

6.3.4 Line Status Register (LSR)	56	9.2 AC Electrical Characteristics	64
6.3.5 FIFO Control Register (FCR)	57	9.2.1 AC Test Conditions	64
6.3.6 Interrupt Identification Register (IIR)	57	9.2.2 Clock Timing	64
6.3.7 Interrupt Enable Register (IER)	57	9.2.3 Microprocessor Interface Timing	65
6.3.8 MODEM Control Register (MCR)	58	9.2.4 Baudout Timing	66
6.3.9 MODEM Status Register (MSR)	59	9.2.5 Transmitter Timing	67
6.3.10 Scratchpad Register (SCR)	59	9.2.6 Receiver Timing	68
7.0 PARALLEL PORT	59	9.2.7 MODEM Control Timing	69
7.1 Introduction	59	9.2.8 DMA Timing	70
7.2 Data Register (DTR)	60	9.2.9 Reset Timing	71
7.3 Status Register (STR)	60	9.2.10 Write Data Timing	71
7.4 Control Register (CTR)	60	9.2.11 Drive Control Timing	72
8.0 INTEGRATED DEVICE ELECTRONICS		9.2.12 Read Data Timing	72
INTERFACE (IDE)	61	9.2.13 IDE Timing	72
8.1 Introduction	61	9.2.14 Parallel Port Timing	73
8.2 IDE Signals	61	10.0 REFERENCE SECTION	74
9.0 DEVICE DESCRIPTION	62	10.1 Mnemonic Definitions for FDC Commands	74
9.1 DC Electrical Characteristics	62	10.2 Example Four Drive Circuit Using the PC87311A/12	75

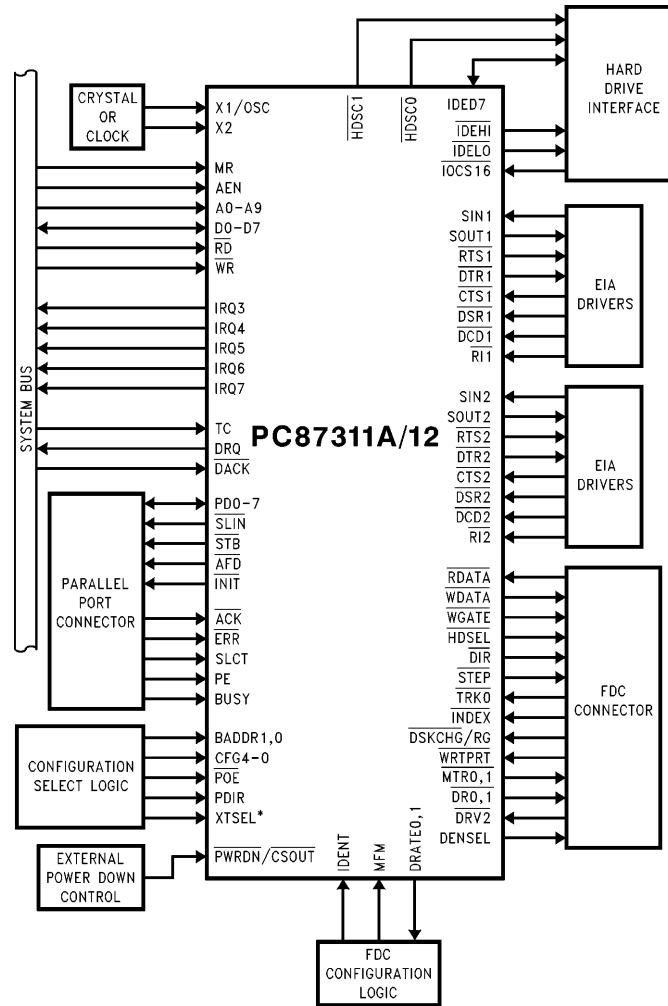
List of Figures

FIGURE 2-1	PC87311A/87312 Configuration Registers	12
FIGURE 3-1	FDC Functional Block Diagram	18
FIGURE 4-1	IBM, Perpendicular, and ISO Formats Supported by Format Command	30
FIGURE 5-1	FDC Data Separator Block Diagram	44
FIGURE 5-2	PC87311A/87312 Dynamic Window Margin Performance	45
FIGURE 5-3	Read Data Algorithm—State Diagram	46
FIGURE 5-4	Perpendicular Recording Drive R/W Head and Pre-Erase Head	46
FIGURE 6-1	PC87311A Composite Serial Data	48
FIGURE 6-2	PC87312 Composite Serial Data	54
FIGURE 9-1	Clock Timing	64
FIGURE 9-2	Microprocessor Read Timing	65
FIGURE 9-3	Microprocessor Write Timing	66
FIGURE 9-4	Baudout Timing	66
FIGURE 9-5	Transmitter Timing	67
FIGURE 9-6a	Receiver Timing	68
FIGURE 9-6b	PC87312 FIFO Mode Receiver Timing	68
FIGURE 9-6c	PC87312 Timeout Receiver Timing	69
FIGURE 9-7	MODEM Control Timing	69
FIGURE 9-8	DMA Timing	70
FIGURE 9-9	Reset Timing	71
FIGURE 9-10	Write Data Timing	71
FIGURE 9-11	Drive Control Timing	72
FIGURE 9-12	Read Data Timing	72
FIGURE 9-13	IDE Timing	72
FIGURE 9-14	Parallel Port Interrupt Timing (Compatible Mode)	73
FIGURE 9-15	Parallel Port Interrupt Timing (Extended Mode)	73
FIGURE 9-16	Typical Parallel Port Data Exchange	73
FIGURE 10-1	PC87311A/87312 Four Floppy Drive Circuit	75
FIGURE 10-2	IDE Interface Signal Equations	75
FIGURE 10-3	PC87311A/87312 Adapter Card Schematic	76

List of Tables

TABLE 2-1	Default Configurations Controlled by Hardware	13
TABLE 2-2	Index and Data Register Optional Locations	14
TABLE 2-3	Primary and Secondary Drive Address Selection	15
TABLE 2-4	Encoded Drive and Motor Pin Information	15
TABLE 2-5	Parallel Port Addresses	16
TABLE 2-6a	COM Port Selection for UART1	16
TABLE 2-6b	COM Port Selection for UART2	16
TABLE 2-7	Address Selection for COM3 and COM4	16
TABLE 3-1	Register Description and Addresses	18
TABLE 3-2	Drive Enable Values	20
TABLE 3-3	Tape Drive Assignment Values	20
TABLE 3-4	Write Precompensation Delays	21
TABLE 3-5	Default Precompensation Delays	21
TABLE 3-6	Data Rate Select Encoding	22
TABLE 4-1	Typical Format Gap Length Values	31
TABLE 4-2	DENSEL Encoding	33
TABLE 4-3	DENSEL Default Encoding	33
TABLE 4-4	Effect of Drive Mode and Data Rate on Format and Write Commands	34
TABLE 4-4a	Effect of GAP and WG on Format and Write Commands	34
TABLE 4-5	Sector Size Selection	34
TABLE 4-6	SK Effect on Read Data Command	35
TABLE 4-7	Result Phase Termination Values with No Error	35
TABLE 4-8	SK Effect on Read Deleted Data Command	36
TABLE 4-9	Maximum Recalibrate Step Pulses Based on R255 and ETR	36
TABLE 4-10	Scan Command Termination Values	37
TABLE 4-11	Status Register 0 Termination Codes	38
TABLE 4-12	Set Track Register Address	38
TABLE 4-13	Step Rate (SRT) Values	38
TABLE 4-14	Motor Off Time (MFT) Values	39
TABLE 4-15	Motor On Time (MNT) Values	39
TABLE 4-16	Verify Command Result Phase Table	40
TABLE 6-1	PC87311A UART Register Addresses (AEN = 0)	48
TABLE 6-2	PC87311A Register Summary for an Individual UART Channel	49
TABLE 6-3	PC87311A UART Reset Configuration	50
TABLE 6-4	PC87311A UART Divisors, Baud Rates, and Clock Frequencies	51
TABLE 6-5	PC87311A Interrupt Control Functions	52
TABLE 6-6	PC87312 UART Register Addresses (AEN = 0)	53
TABLE 6-7	PC87312 Register Summary for an Individual UART Channel	54
TABLE 6-8	PC87312 UART Reset Configuration	55
TABLE 6-9	PC87312 UART Divisors, Baud Rates, and Clock Frequencies	56
TABLE 6-10	PC87312 Interrupt Control Functions	58
TABLE 7-1	Parallel Interface Register Addresses	59
TABLE 7-2	Data Register Read and Write Modes	59
TABLE 7-3	Parallel Port Mode of Operation	59
TABLE 7-4	Parallel Port Reset States	60
TABLE 8-1	IDE Registers and Their ISA Addresses	61
TABLE 9-1	Nominal t_{ICP} , t_{DRP} Values	64
TABLE 9-2	Minimum t_{WDW} Values	71
TABLE 10-1	PC87311A/87312 Four Floppy Drive Encoding	75

Basic Configuration

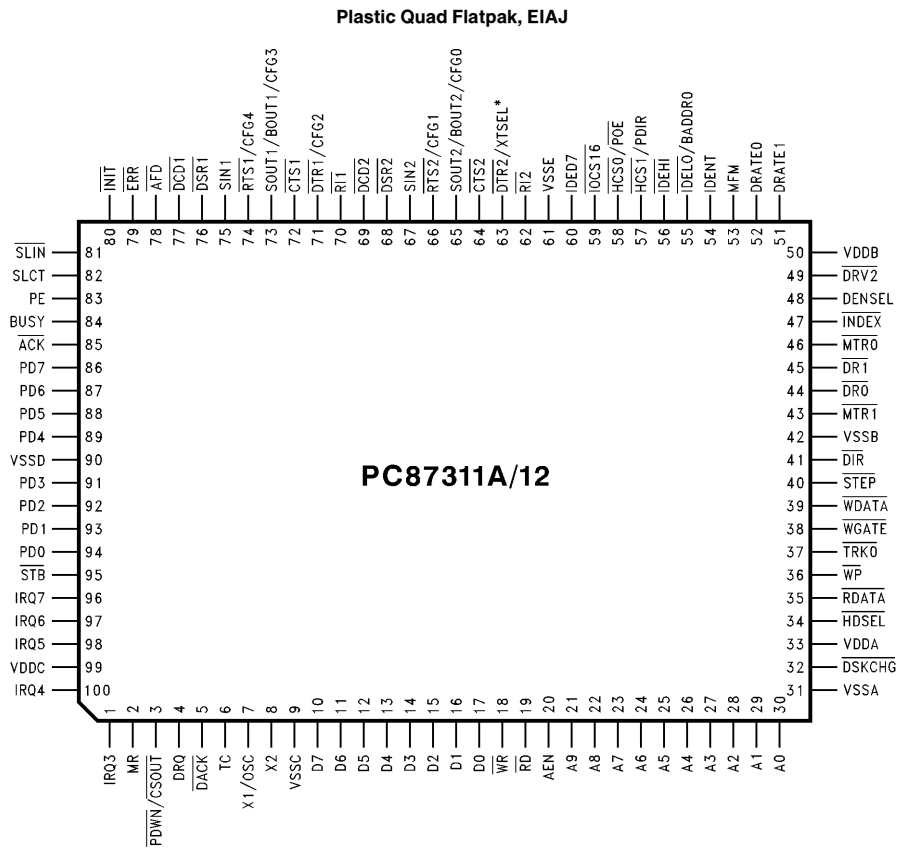


*Note: PC87311A only

TL/F/11362-2

1.0 Pin Description

Connection Diagram



*Note: XTSEL PC87311A only

Order Number PC87311AVF or PC87312VF
See NS Package Number VLJ100A

TL/F/11362-3

1.0 Pin Description (Continued)

Symbol	Pin	I/O	Function
A9–A0	21–30	I	Address. These address lines from the microprocessor determine which internal register is accessed. A0–A9 are don't cares during an FDC DMA transfer.
$\overline{\text{ACK}}$	85	I	Acknowledge. This input is pulsed low by the printer to indicate that it has received data from the parallel port. This pin has a nominal 25 k Ω pull-up resistor attached.
$\overline{\text{AFD}}$	78	O	Automatic Feed XT. When this signal is low the printer should automatically line feed after each line is printed. This pin will be in a TRI-STATE [®] condition 10 ns after a zero is loaded into the corresponding Control Register bit. The system should pull this pin high using a 4.7 k Ω resistor.
AEN	20	I	Address Enable. This input disables function selection via A9–A0 when it is high. Access to the FDC Data Register during DMA transfer is NOT affected by this pin.
BADDR0	55	I	Base Address. This bit determines one of two base addresses from which the Index and Data Registers will be offset (see Table 2-2). An internal pull-down resistor of 40 k Ω is on each pin. Use a 10 k Ω resistor to pull this pin to the required level during reset.
BOUT1,2	73, 65	O	BAUD Output. This multi-function pin provides the associated serial channel Baud Rate generator output signal, if test mode is selected in the Power and Test Configuration Register and the DLAB bit (LCR7) is set. After Master Reset this pin provides the SOUT function. (See SOUT and CFG0–4 for further information.)
BUSY	84	I	Busy. This pin is set high by the printer when it can't accept another character. This pin has a nominal 25 k Ω pull-down resistor attached to it.
CFG0–4	65, 66, 71, 73, 74	I	Default Configuration. These CMOS inputs select 1 of 32 default configurations in which the PC87311A/12 will power-up (see Table 2-1). An internal pull-down resistor of 40 k Ω is on each pin. Use a 10 k Ω resistor to pull these pins to the required level during reset.
$\overline{\text{CSOUT}}$	3	O	Chip Select Output. When the associated bit in the Power and Test Configuration Register is set, this multi-function pin provides an active signal each time the internal address decoder decodes an address enabled for the PC87311A/12. (See $\overline{\text{PWN}}$ for further information.)
$\overline{\text{CTS}}_{1,2}$	72, 64	I	Clear to Send. When low, this indicates that the MODEM or data set is ready to exchange data. The $\overline{\text{CTS}}$ signal is a MODEM status input whose condition the CPU can test by reading bit 4 (CTS) of the MODEM Status Register (MSR) for the appropriate serial channel. Bit 4 is the complement of the $\overline{\text{CTS}}$ signal. Bit 0 (DCTS) of the MSR indicates whether the $\overline{\text{CTS}}$ input has changed state since the previous reading of the MSR. $\overline{\text{CTS}}$ has no effect on the transmitter. Note: Whenever the DCTS bit of the MSR is set an interrupt is generated if MODEM Status interrupts are enabled.
D7–D0	10–17	I/O	Data. Bi-directional data lines to the microprocessor. D0 is the LSB and D7 is the MSB. These signals all have 24 mA (sink) buffered outputs.
$\overline{\text{DACK}}$	5	I	DMA Acknowledge. Active low input to acknowledge the FDC DMA request and enable the $\overline{\text{RD}}$ and $\overline{\text{WR}}$ inputs during a DMA transfer. When in PC-AT or Model 30 mode, this signal is enabled by bit D3 of the Digital Output Register (DOR). When in PS/2 [®] mode, $\overline{\text{DACK}}$ is always enabled, and bit D3 of the DOR is reserved. $\overline{\text{DACK}}$ should be held high during PIO accesses.
$\overline{\text{DCD}}_{1,2}$	77, 69	I	Data Carrier Detect. When low, this indicates that the data carrier has been detected by the MODEM or data set. The $\overline{\text{DCD}}$ signal is a MODEM status input whose condition the CPU can test by reading bit 7 (DCD) of the MODEM Status Register (MSR) for the appropriate serial channel. Bit 7 is the complement of the $\overline{\text{DCD}}$ signal. Bit 3 (DDCD) of the MSR indicates whether the $\overline{\text{DCD}}$ input has changed state since the previous reading of the MSR. Note: Whenever the DDCCD bit of the MSR is set, an interrupt is generated if MODEM Status interrupts are enabled.
DENSEL	48	O	Density Select. Indicates when a high FDC density data rate (500 kb/s or 1 Mb/s) or a low density data rate (250 or 300 kb/s) has been selected. DENSEL is active high for high density (5.25" drives) when IDENT is high, and active low for high density (3.5" drives) when IDENT is low. DENSEL is also programmable via the Mode command (see Section 4.2.6).
$\overline{\text{DIR}}$	41	O	Direction. This output determines the direction of the floppy disk drive (FDD) head movement (active = step in, inactive = step out) during a seek operation. During read or writes, $\overline{\text{DIR}}$ will be inactive.

1.0 Pin Description (Continued)

Symbol	Pin	I/O	Function
$\overline{DR0,1}$	44, 45	O	Drive Select 0,1. These are the decoded drive select outputs that are controlled by Digital Output Register bits D0, D1. The Drive Select outputs are gated with DOR bits 4–7. These are active low outputs. They are encoded with information to control four FDDs when bit 4 of the Function Enable Register (FER) is set. (See MTR0,1 and Table 2-4 for more information.)
DRATE0,1	52, 51	O	Data Rate 0,1. These outputs reflect the currently selected FDC data rate, (bits 0 and 1 in the Configuration Control Register (CCR) or the Data Rate Select Register (DSR), whichever was written to last). These pins are totem-pole buffered outputs (6 mA sink, 6 mA source).
DRQ	4	O	DMA Request. Active high output to signal the DMA controller that a FDC data transfer is needed. When in PC-AT or Model 30 mode, this signal is enabled by bit D3 of the DOR. When in PS/2 mode, DRQ is always enabled, and bit D3 of the DOR is reserved.
$\overline{DRV2}$	49	I	Drive2. This input indicates whether a second disk drive has been installed. The state of this pin is available from Status Register A in PS/2 mode.
DSKCHG	32	I	Disk Change. The input indicates if the drive door has been opened. The state of this pin is available from the Digital Input register. This pin can also be configured as the RGATE data separator diagnostic input via the Mode command (see Section 4.2.6).
$\overline{DSR1,2}$	76, 68	I	Data Set Ready. When low, this indicates that the data set or MODEM is ready to establish a communications link. The DSR signal is a MODEM status input whose condition the CPU can test by reading bit 5 (DSR) of the MODEM Status Register (MSR) for the appropriate channel. Bit 5 is the complement of the \overline{DSR} signal. Bit 1 (DDSR) of the MSR indicates whether the \overline{DSR} input has changed state since the previous reading of the MSR. Note: Whenever the DDSR bit of the MSR is set, an interrupt is generated if MODEM Status interrupts are enabled.
$\overline{DTR1,2}$	71, 63	O	Data Terminal Ready. When low, this output indicates to the MODEM or data set that the UART is ready to establish a communications link. The DTR signal can be set to an active low by programming bit 0 (DTR) of the MODEM Control Register to a high level. A Master Reset operation sets this signal to its inactive (high) state. In the PC87312, loop mode operation holds this signal to its inactive state. (See CFG4–0 for further information.) In the PC87311A, loop mode operation holds this signal to its inactive state if the XTSEL pin is high during reset. If the XTSEL pin is low during reset, the associated pin state is controlled by the MCR0 bit during loop mode operation. (See XTSEL and CFG0–4 for further information.)
\overline{ERR}	79	I	Error. This input is set low by the printer when it has detected an error. This pin has nominal 25 k Ω pull-up resistor attached to it.
HCS0	58	O	Hard Drive Chip Select 0. This output is active in the AT mode when the hard drive registers from 1F0–1F7h are selected if the primary address is used or when 170–177h are selected if the secondary address is used. In the XT mode (PC87311A) this output is active if the addresses from 320–324h are selected. This output is inactive if the IDE interface is disabled via the Configuration Register. (See POE for further information.)
HCS1	57	O	Hard Drive Chip Select 1. This output is active in the AT mode when the hard drive registers from 3F6–7 are selected if the primary address is used or when 376–377 are selected if the secondary address is used. In the XT mode (PC87311A) this output is inactive. This output is also inactive if the IDE interface is disabled via the Configuration Register. (See PDIR for further information.)
\overline{HDSEL}	34	O	Head Select. This output determines which side of the FDD is accessed. Active selects side 1, inactive selects side 0.
IDED7	60	I/O	IDE Bit 7. This pin provides the data bus bit 7 signal to the IDE hard drive during accesses in the address range 1F0–1F7h, 170–177h and 3F6h and 376h. This pin is TRI-STATE during read or write accesses to 3F7h and 377h.
\overline{IDEHI}	56	O	IDE High Byte. This output enables the high byte data latch during a read or write to the hard drive if the hard drive returns $\overline{IOCS16}$. This output is inactive if the IDE interface is disabled via the Configuration Register.
$\overline{IDEL0}$	55	O	IDE Low Byte. This output enables the low byte data latch during a read or write to the hard drive. This output is inactive if the IDE interface is disabled via the Configuration Register. (See BADDR0 for further information.)

1.0 Pin Description (Continued)

Symbol	Pin	I/O	Function															
IDENT	54	I	<p>Identity. During chip reset, the IDENT and MFM pins are sampled to determine the mode of operation according to the following table:</p> <table border="1"> <thead> <tr> <th>IDENT</th> <th>MFM</th> <th>MODE</th> </tr> </thead> <tbody> <tr> <td>1</td> <td>1 or NC</td> <td>PC-AT Mode</td> </tr> <tr> <td>1</td> <td>0</td> <td>Illegal</td> </tr> <tr> <td>0</td> <td>1 or NC</td> <td>PS/2 Mode</td> </tr> <tr> <td>0</td> <td>0</td> <td>Model 30 Mode</td> </tr> </tbody> </table> <p>AT Mode—The DMA enable bit in the DOR is valid. TC is active high. Status Registers A and B are disabled (TRI-STATE).</p> <p>Model 30 Mode—The DMA enable bit in the DOR is valid. TC is active high. Status Registers A and B are enabled.</p> <p>PS/2 Mode—The DMA enable bit in the DOR is a don't care, and the DRQ and IRQ6 signals will always be enabled. TC is active low. Status Registers A and B are enabled.</p> <p>After chip reset, the state of IDENT determines the polarity of the DENSEL output. When IDENT is a logic "1", DENSEL is active high for the 500 kbs/1 Mbs data rates. When IDENT is a logic "0", DENSEL is active low for the 500 kbs/1 Mbs data rates. (See Mode command for further explanation of DENSEL.)</p>	IDENT	MFM	MODE	1	1 or NC	PC-AT Mode	1	0	Illegal	0	1 or NC	PS/2 Mode	0	0	Model 30 Mode
IDENT	MFM	MODE																
1	1 or NC	PC-AT Mode																
1	0	Illegal																
0	1 or NC	PS/2 Mode																
0	0	Model 30 Mode																
$\overline{\text{INDEX}}$	47	I	Index. This input signals the beginning of a FDD track.															
$\overline{\text{INIT}}$	80	O	Initialize. When this signal is low it causes the printer to be initialized. This pin will be in a TRI-STATE condition 10 ns after a zero is loaded into the corresponding Control Register bit. The system should pull this pin high using a 4.7 k Ω resistor.															
$\overline{\text{IOCS16}}$	59	I	I/O Chip Select 16-Bit. This input will be driven by the peripheral device when it can accommodate a 16-bit access.															
IRQ3,4	1, 100	O	Interrupt 3 and 4. These are active high interrupts associated with the serial ports. IRQ3 presents the signal if the serial channel has been designated as COM2 or COM4. IRQ4 presents the signal if the serial port is designated as COM1 or COM3. The appropriate interrupt goes active whenever it is enabled via IER, the associated Interrupt Enable bit (Modem Control Register bit 3, MCR3), and any of the following conditions are active: Receiver Error, Receive Data available, Transmitter Holding Register Empty, or a Modem Status Flag is set. The interrupt is reset low (inactive) after the appropriate interrupt service routine is executed, after being disabled via the IER, or after a Master Reset. Either interrupt can be disabled, putting them into TRI-STATE, by setting the MCR3 bit low.															
IRQ5	98	O	Interrupt 5. Active high output that indicates a parallel port interrupt. When enabled this bit follows the ACK signal input. When bit 4 in the parallel port Control Register is set and the parallel port address is designated as shown in Table 2-5, this interrupt is enabled. When it is not enabled or when operating in the XT mode this signal is TRI-STATE.															
IRQ6	97	O	Interrupt 6. Active high output to signal the completion of the execution phase for certain FDC commands. Also used to signal when a data transfer is ready during a Non-DMA operation. When in PC-AT or Model 30 mode, this signal is enabled by bit D3 of the DOR. When in PS/2 mode, IRQ6 is always enabled, and bit D3 of the DOR is reserved.															
IRQ7	96	O	Interrupt 7. Active high output that indicates a parallel port interrupt. When enabled this bit follows the ACK signal input. When bit 4 in the parallel port Control Register is set and the parallel port address is designated as shown in Table 2-5, this interrupt is enabled. When it is not enabled this signal is TRI-STATE.															
MR	2	I	Master Reset. Active high input that resets the controller to the idle state, and resets all disk interface outputs to their inactive states. The DOR, DSR, CCR, Mode command, Configure command, and Lock command parameters are cleared to their default values. The Specify command parameters are not affected. The Configuration Registers are set to their selected default values.															

1.0 Pin Description (Continued)

Symbol	Pin	I/O	Function
MFM	53	I/O	MFM. During a chip reset when in PS/2 mode (IDENT low), this pin is sampled to select the PS/2 mode (MFM high), or the Model 30 mode (MFM low). An internal pull-up or external pull-down 10 kΩ resistor will select between the two PS/2 modes. When the PC-AT mode is desired, (IDENT high), MFM should be left pulled high internally. MFM reflects the current data encoding format when RESET is inactive. MFM = high, FM = low. Defaults to low after a chip reset. This signal can also be configured as the PUMP data separator diagnostic output via the Mode command (see Section 4.2.6).
$\overline{\text{MTR0,1}}$	46, 43	O	Motor Select 0,1. These are the motor enable lines for drives 0 and 1, and are controlled by bits D7–D4 of the Digital Output register. They are active low outputs. They are encoded with information to control four FDDs when bit 4 of the Function Enable Register (FER) is set. (See $\overline{\text{DR0,1}}$ and Table 2-4 for more information.)
PD0–7	94–91, 89–86	I/O	Parallel Port Data. These bidirectional pins transfer data to and from the peripheral data bus and the parallel port Data Register. These pins have high current drive capability. (See DC Electrical Characteristics.)
PDIR	57	I	Parallel Port Direction. During reset the state of this pin determines the direction of the parallel port data, if the PTR7 = 0. The direction will be output (printer) when PDIR = 0 and PTR7 = 0 and it will be input (scanner) when PDIR = 1 and PTR7 = 0. An internal pull-down resistor or 40 kΩ is on this pin. Use a 10 kΩ resistor to pull this pin to the required level during reset.
$\overline{\text{PDWN}}$	3	I	Power Down. This multi-function pin will stop the clocks and/or the external crystal based on the selections made in the Power and Test Register bits 1-2. (See CSOUT for additional information.)
PE	83	I	Paper End. This input is set high by the printer when it is out of paper. This pin has a nominal 25 kΩ pull-down resistor attached to it.
$\overline{\text{POE}}$	58	I	Parallel Port Output Enable. This pin is sensed during reset. If it is low, bit 7 of the Power and Test Register (PTR7) is set high and the parallel port will operate in the Extended Mode. In this mode software determines the direction of parallel port data via the parallel port Control Register (CTR5). If this pin is high (PTR7 = 0) then the Compatible Mode is selected and the data direction is determined by the state of PDIR pin at reset. An internal pull-down resistor of 40 kΩ is on this pin. Use a 10 kΩ resistor to pull this pin to the required level during reset.
$\overline{\text{RD}}$	19	I	Read. Active low input to signal a data read by the microprocessor.
$\overline{\text{RDATA}}$	35	I	Read Data. This input is the raw serial data read from the floppy disk drive.
$\overline{\text{RI1,2}}$	70, 62	I	Ring Indicator. When low this indicates that a telephone ringing signal has been received by the MODEM. The $\overline{\text{RI}}$ signal is a MODEM status input whose condition the CPU can test by reading bit 6 (RI) of the MODEM Status Register (MSR) for the appropriate serial channel. Bit 6 is the complement of the $\overline{\text{RI}}$ signal. Bit 2 (TERI) of the MSR indicates whether the $\overline{\text{RI}}$ input has changed from low to high since the previous reading of the MSR. Note: Whenever the TERI bit of the MSR is set, an interrupt is generated if MODEM Status interrupts are enabled.
$\overline{\text{RTS1,2}}$	74, 66	O	Request to Send. When low, this output indicates to the MODEM or data set that the UART is ready to exchange data. The RTS signal can be set to an active low by programming bit 1 (RTS) of the MODEM Control Register to a high level. A Master Reset operation sets this signal to its inactive (high) state. In the PC87312, loop mode operation holds this signal to its inactive state. (See CFG0–4 for further information.) In the PC87311A, loop mode operation holds this signal to its inactive state if the XTSEL pin is high during reset. If the XTSEL pin is low during reset, the associated pin state is controlled by the MCR1 bit during loop mode operation. (See CFG0–4 for further information.)
SIN1,2	75, 67	I	Serial Input. This input receives composite serial data from the communications link (peripheral device, MODEM, or data set).
SLCT	82	I	Select. This input is set high by the printer when it is selected. This pin has a nominal 25 kΩ pull-down resistor attached to it.
$\overline{\text{SLIN}}$	81	O	Select Input. When this signal is low it selects the printer. This pin will be in a TRI-STATE condition 10 ns after a zero is loaded into the corresponding Control Register bit. The system should pull this pin high using a 4.7 kΩ resistor.

1.0 Pin Description (Continued)

Symbol	Pin	I/O	Function
SOUT1,2	73, 65	O	Serial Output. This output sends composite serial data to the communications link (peripheral device, MODEM, or data set). The SOUT signal is set to a marking state (logic 1) after a Master Reset operation. (See BOUT and CFG0–4 for further information on these pins.)
\overline{STB}	95	O	Data Strobe. This output indicates to the printer that valid data is available at the printer port. This pin will be in a TRI-STATE condition 10 ns after a zero is loaded into the corresponding Control Register bit. The system should pull this pin high using a 4.7 k Ω resistor.
\overline{STEP}	40	O	Step. This output signal issues pulses to the disk drive at a software programmable rate to move the head during a seek operation.
TC	6	I	Terminal Count. Control signal from the DMA controller to indicate the termination of a DMA transfer. TC is accepted only when \overline{DACK} is active. TC is active high in PC-AT and Model 30 modes, and active low in PS/2 mode.
$\overline{TRK0}$	37	I	Track 0. This input indicates to the controller that the head of the selected floppy disk drive is at track zero.
VDDA	33		Analog Supply. This pin is the 5V supply for the analog data separator.
VDDB,C	50, 99		Digital Supply. This is the 5V supply voltage for the digital circuitry.
VSSA	31		Analog Ground. This is the analog ground for the data separator.
VSSB-E	42, 9, 90, 61		Digital Ground. This is the ground for the digital circuitry.
\overline{WR}	18	I	Write. Active low input to signal a write from the microprocessor to the controller.
\overline{WDATA}	39	O	Write Data. This output is the write precompensated serial data that is written to the selected floppy disk drive. Precompensation is software selectable.
\overline{WGATE}	38	O	Write Gate. This output signal enables the write circuitry of the selected disk drive. WGATE has been designed to prevent glitches during power up and power down. This prevents writing to the disk when power is cycled.
\overline{WP}	36	I	Write Protect. This input indicates that the disk in the selected drive is write protected.
X1/OSC	7	I	Crystal1/Clock. One side of an external 24 MHz crystal is attached here. If a crystal is not used, a TTL or CMOS compatible clock is connected to this pin.
X2	8	O	Crystal2. One side of an external 24 MHz crystal is attached here. This pin is left unconnected if an external clock is used.
XTSEL*	63	I	XT Select. When this pin is high during reset the chip will operate in the XT mode. When this pin is low during reset the chip will operate in the AT mode. An internal pull-down resistor of 40 k Ω is on this pin. Use a 10 k Ω resistor to pull this pin to the required level during reset. There are five differences between AT and XT mode. One concerns hard disk operation and the other four concern UART operation. In AT mode the IDE hard drive chip selects (HCS0, HCS1) will be active for addresses 1F0–7H and 3F6, 7H; respectively. In XT mode the IDE chip select HCS0 responds to addresses 320–3H and HCS1 is inactive. The differences in UART operation are: the function of LSR bit (see Section 6.5 bit 6), the modem control outputs during loop back mode (see Section 6.8 bit 4), the Scratch Pad Register (see Section 6.10), and the availability of edge (XT) or level (AT) sensitive UART interrupts.

*Note: XTSEL is an option for the PC87311A only.

2.0 Configuration Registers

2.1 OVERVIEW

Three registers constitute the Base Configuration Register set which controls the set-up of the PC87311A/12. In general, these registers control the enabling of each major function (e.g., FDC, UARTs, parallel port, etc.), the I/O addresses of those functions, and whether those functions power down via hardware control or not. These three configuration registers are called the Function Enable Register (FER), the Function Address (FAR) Register and the Power and Test Register (PTR).

These registers can be accessed via hardware or software. During reset, the PC87311A/12 loads a set of default values selected by a hardware strapping option into the Configuration Registers. This defines the setting of all Configuration Registers via hardware.

An index and data register pair are used to read and write these registers. Each Configuration Register is pointed to by the value loaded into the Index Register. The data to be written into the Configuration Register is transferred via the Data register. Reading a Configuration Register is done in a similar way (i.e., by pointing to it via the Index Register and then reading its contents via the Data Register).

Accessing the Configuration Registers in this way requires only two system I/O addresses. Since that I/O space is shared by other devices the Index and Data Registers could still be inadvertently accessed, even though, there are only two registers in this I/O address space. In order to reduce the chances of an inadvertent access, a simple procedure (Section 2.2) has been developed.

2.2 SOFTWARE CONFIGURATION

If the system requires access to the Configuration Registers after reset, then the following procedure is used to change data in the registers.

1. Determine the default location of the PC87311A/12 Index Register.
 - A. Check the two possible default locations (see Table 2-2) by reading them twice. The first byte is the ID byte (88H). The second byte read is always 00H. Compare the data read with the ID byte and then 00h. A match will occur at the correct location. Note that the ID byte is only issued from the Index Register during the first read after a reset. Subsequent reads return the value loaded into the Index Register. Bits 2-6 are reserved and always read 0.
2. Load the Configuration Registers.
 - A. Disable CPU interrupts.
 - B. Write the index of the Configuration Register (00h-02h) to the Index Register one time.
 - C. Write the correct data for the Configuration Register in two consecutive write accesses to the Data Register.
 - D. Enable CPU interrupts.
3. Load the Configuration Registers (read-modify-write).
 - A. Disable CPU interrupts.
 - B. Write the index of the Configuration Register (00h-02h) to the Index Register one time.
 - C. Read the configuration data in that register via the Data Register.

D. Modify the configuration data.

E. Write the changed data for the Configuration Register in two consecutive writes to the Data Register. The register updates on the second consecutive write.

F. Enable CPU interrupts.

A single read access to the Index and Data Registers can be done at any time without disabling CPU interrupts. When the Index Register is read, the last value loaded into the Index Register will be returned. When the Data Register is read, the Configuration Register data pointed to by the Index Register will be returned.

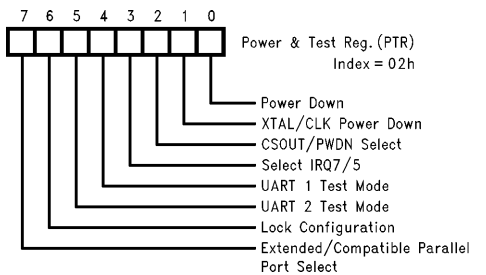
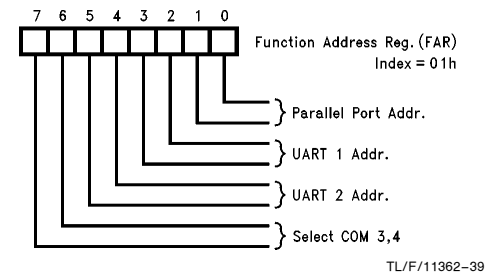
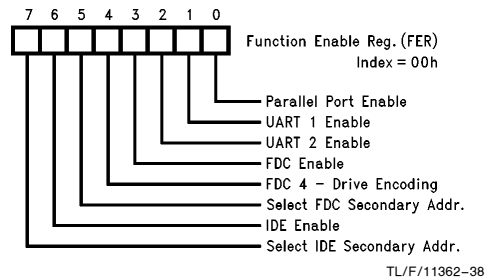


FIGURE 2-1. PC87311A/12 Configuration Registers

2.3 HARDWARE CONFIGURATION

During reset, 1 of 32 possible sets of default values are loaded into the Configuration Registers. A strapping option on five pins (CFG0-4) selects the set of values that is loaded. This allows for automatic configuration without software intervention. Table 2-1 shows the 32 possible default configurations. The default configuration can be modified by software at any time after reset by using the access procedure described in the Software Configuration Section.

2.0 Configuration Registers (Continued)

TABLE 2-1. Default Configurations Controlled by Hardware

Configuration Pins (CFGn)					Data (Hex)	Activated Functions
4	3	2	1	0		
					FER = 4F, CF	FDC, IDE, UART1, UART2, PORT
					PTR = 00	Power Down Clocks Option
0	0	0	0	0	FAR = 10	PRI, PRI, COM1, COM2, LPT2
0	0	0	0	1	FAR = 11	PRI, PRI, COM1, COM2, LPT1
0	0	0	1	0	FAR = 11	PRI, SEC, COM1, COM2, LPT1
0	0	0	1	1	FAR = 39	PRI, PRI, COM3, COM4, LPT1
0	0	1	0	0	FAR = 24	PRI, PRI, COM2, COM3, LPT2
0	0	1	0	1	FAR = 38	PRI, SEC, COM3, COM4, LPT2
					FER = 4B, CB	FDC, IDE, UART1, PORT
					PTR = 00	Power Down Clocks Option
0	0	1	1	0	FAR = 00	PRI, PRI, COM1, LPT2
0	0	1	1	1	FAR = 01	PRI, PRI, COM1, LPT1
0	1	0	0	0	FAR = 01	PRI, SEC, COM1, LPT1
0	1	0	0	1	FAR = 09	PRI, PRI, COM3, LPT1
0	1	0	1	0	FAR = 08	PRI, PRI, COM3, LPT2
0	1	0	1	1	FAR = 08	PRI, SEC, COM3, LPT2
					FER = 0F	FDC, UART1, UART2, PORT
					PTR = 00	Power Clocks Option
0	1	1	0	0	FAR = 10	PRI, COM1, COM2, LPT2
0	1	1	0	1	FAR = 11	PRI, COM1, COM2, LPT1
0	1	1	1	0	FAR = 39	PRI, COM3, COM4, LPT1
0	1	1	1	1	FAR = 24	PRI, COM2, COM3, LPT2
					FER = 49, C9	FDC, IDE, PORT
					PTR = 00	Power Down Clocks Option
1	0	0	0	0	FAR = 00	PRI, PRI, LPT2
1	0	0	0	1	FAR = 01	PRI, PRI, LPT1
1	0	0	1	0	FAR = 01	PRI, SEC, LPT1
1	0	0	1	1	FAR = 00	PRI, SEC, LPT2
					FER = 07	UART1, UART2, PORT
					PTR = 00	Power Down Clocks Option
1	0	1	0	0	FAR = 10	COM1, COM2, LPT2
1	0	1	0	1	FAR = 11	COM1, COM2, LPT1
1	0	1	1	0	FAR = 39	COM3, COM4, LPT1
1	0	1	1	1	FAR = 24	COM2, COM3, LPT2
					FER = 47, C7	IDE, UART1, UART2, PORT
					PTR = 00	Power Down Clocks Option
1	1	0	0	0	FAR = 10	PRI, COM1, COM2, LPT2
1	1	0	0	1	FAR = 11	PRI, COM1, COM2, LPT1

2.0 Configuration Registers (Continued)

TABLE 2-1. Default Configurations Controlled by Hardware (Continued)

Configuration Pins (CFGn)					Data (Hex)	Activated Functions
4	3	2	1	0		
1	1	0	1	0	FAR = 11	SEC, COM1, COM2, LPT1
1	1	0	1	1	FAR = 39	PRI, COM3, COM4, LPT1
1	1	1	0	0	FAR = 24	PRI, COM2, COM3, LPT2
1	1	1	0	1	FAR = 38	SEC, COM3, COM4, LPT2
1	1	1	1	0	FER = 08	FDC
					PTR = 00	Power Down Clocks Option
					FAR = 10, 80	PRI
1	1	1	1	1	FER = 00	None
					PTR = 02, 82	Power Down XTAL and Clocks
					FAR = 10	NA

Table 2-1 is organized in the following way. The logic values of the 5 external Configuration Pins are associated with the resulting Configuration Register Data and the activated functions. The activated functions are grouped into 7 categories based on the data in the FER. In some cases the data in the FER is given as one of two options. This is because the primary or secondary IDE address is chosen via the FER.

The PTR has one value associated with the active functions in the FER. This value allows the power down of all clocks when the PWDN pin goes active. In the last case where no functions are active after reset, activating the PWDN pin will also stop the crystal.

Most of the variability available is through the FAR. Addresses controlled by the FAR are coded in the following way:

PRI is the PRImary floppy or IDE address (i.e., 3F0–7h or 1F0–7, 3F6, 7h)

SEC is the SEcONDary IDE address (170–7, 376, 7h)

COM1 is the UART address at 3F8–Fh

COM2 is the UART address at 2F8–Fh

COM3 is the UART address at 3E8–Fh

COM4 is the UART address at 2E8–Fh

LPT1 is the parallel port (|| PORT) address at 3BC–3BEh

LPT2 is the || PORT address at 378–37Fh

The chosen addresses are given under active functions and are in the same order as the active functions they are associated with. In other words, if the active functions are given as FDC, IDE, UART1, UART2, || PORT and the addresses are given as PRI, PRI, COM1, COM2, LPT2; then the functions and the addresses are associated as follows: FDC = PRI, IDE = PRI, UART1 = COM1, UART2 = COM2, || PORT = LPT2.

2.4 INDEX AND DATA REGISTERS

One more general aspect of the Configuration Registers is that the Index and the Data Register pair can be relocated to any one of two locations. This is controlled through a hardware strapping option on one pin (BADDR0) and it allows the registers to avoid conflicts with other adapters in the I/O address space. Table 2-2 shows the address options.

TABLE 2-2. Index and Data Register Optional Locations

BADDR0	Index Addr.	Data Addr.
0	398h	399h
1	26Eh	26Fh

2.5 BASE CONFIGURATION REGISTERS

2.5.1 Function Enable Register (FER, Index 0)

This register enables and disables all major chip functions. Disabled functions have their clocks automatically powered down, but the data in their registers remains intact. It also selects whether the FDC and the IDE controller will be located at their primary or secondary address.

Bit 0 When this bit is one the parallel port can be accessed at the address specified in the FAR.

Bit 1 When this bit is one, UART1 can be accessed at the address specified in the FAR. When this bit is zero, access to UART1 is blocked and it will be in power down mode. The UART1 registers retain all data in power down mode. **Caution:** Any UART1 interrupt that is enabled and active or becomes active after UART1 is disabled will assert the associated IRQ pin when UART1 is disabled. If disabling UART1 via software, clear the IRQ Enable bit (MCR3) to zero before clearing FER 1. This is not an issue after reset because MCR3 will be zero until it is written.

Bit 2 When this bit is one, UART2 can be accessed at the address specified in the FAR. When this bit is zero, access to UART2 is blocked and it will be in power down mode. The UART2 registers retain all data in power down mode. **Caution:** Any UART2 interrupt that is enabled and active or becomes active after UART2 is disabled will assert the associated IRQ pin when UART2 is disabled. If disabling UART2 via software, clear the IRQ Enable bit (MCR3) to zero before clearing FER2. This is not an issue after reset because MCR3 will be zero until it is written.

2.0 Configuration Registers (Continued)

Bit 3 When this bit is one, the FDC can be accessed at the address specified in FER[5]. When this bit is zero access to the FDC is blocked and it will be in power down mode. The FDC registers retain all data in power down mode.

Bit 4 When this bit is zero the PC87311A/12 can control two floppy disk drives directly without an external decoder. When this bit is one the two drive select signals and two motor enable signals from the FDC are encoded so that four floppy disk drives can be controlled (see Table 2-4). Controlling four FDDs requires an external decoder. The pin states shown in Table 2-4 are a direct result of the bit patterns shown. All other bit patterns produce pin states that should not be decoded to enable any drive or motor.

Bit 5 This bit selects the primary or secondary FDC address in the PC87312. In the PC87311A, this bit selects the primary or secondary FDC address when in the AT mode. In the XT mode it has no significance (see Table 2-3).

Bit 6 When this bit is a one the IDE drive interface can be accessed at the address specified by FER bit 7. When it is zero, access to the IDE interface is blocked, the IDE control signals (i.e., HCS0, HCS1, IDELO, IDEHI) are held in the inactive state, and the IDE7 signal will be in TRI-STATE.

Bit 7 This bit selects the primary or secondary IDE address in the PC87312. In the PC87311A, this bit selects the primary or secondary IDE address when in the AT mode. In the XT mode it has no significance (see Table 2-3).

TABLE 2-3. Primary and Secondary Drive Address Selection

BIT 5	BIT 7	DRIVE	AT	AT	XT (Note)
—	—	—	Primary	Secondary	—
0	X	FDC	3F0–7h	—	—
1	X	FDC	—	370–7h	—
X	X	FDC	—	—	3F0–7h
X	0	IDE	1F0–7, 3F6, 3F7h	—	—
X	1	IDE	—	170–7, 376-7h	—
X	X	IDE	—	—	320–3h

Note: PC87311A only

TABLE 2-4. Encoded Drive and Motor Pin Information (FER 4 = 1)

Digital Output Reg								Drive Control Pins				Decoded Functions
7	6	5	4	3	2	1	0	MTR1	MTR0	DR1	DR0	
X	X	X	1	X	X	0	0	(Note 1)	0	0	0	Activate Drive 0 and Motor 0
X	X	1	X	X	X	0	1	(Note 1)	0	0	1	Activate Drive 1 and Motor 1
X	1	X	X	X	X	1	0	(Note 1)	0	1	0	Activate Drive 2 and Motor 2
1	X	X	X	X	X	1	1	(Note 1)	0	1	1	Activate Drive 3 and Motor 3
X	X	X	0	X	X	0	0	(Note 1)	1	0	0	Activate Drive 0 and Deactivate Motor 0
X	X	0	X	X	X	0	1	(Note 1)	1	0	1	Activate Drive 1 and Deactivate Motor 1
X	0	X	X	X	X	1	0	(Note 1)	1	1	0	Activate Drive 2 and Deactivate Motor 2
0	X	X	X	X	X	1	1	(Note 1)	1	1	1	Activate Drive 3 and Deactivate Motor 3

Note 1: When FER4 = 1, MTR1 will present a pulse that is the inverted image of the IOW strobe. This inverted pulse will be active whenever an I/O write to address 3F2h or 372h takes place. This pulse is delayed by 25 ns–80 ns after the leading edge of IOW and its leading edge can be used to clock data into an external latch (e.g., 74LS175). Address 3F2h will be used if the FDC is located at the primary address (FER5 = 0) and address 372h will be used if the FDC is located at the secondary address (FER5 = 1). See the AC Electrical Characteristics (Section 9.2) for detailed timing.

2.0 Configuration Registers (Continued)

2.5.2 Function Address Register (FAR, Index = 1)

This register selects the ISA I/O address range to which each peripheral function will respond.

Bits 0,1 These bits select the parallel port address as shown in Table 2-5:

TABLE 2-5. Parallel Port Addresses

Bit 1	Bit 0	Parallel Port Address	AT Interrupt	XT Interrupt
0	0	LPT2 (378–37F)	IRQ5 (Note)	IRQ7
0	1	LPT1 (3BC–3BE)	IRQ7	IRQ7
1	0	LPT3 (278–27F)	IRQ5	IRQ7
1	1	Reserved	TRI-STATE (CTR4 = 0)	TRI-STATE (CTR4 = 0)

Note: The interrupt assigned to this address can be changed to IRQ7 by setting Bit 3 of the power and test register.

Bits 2–5 These bits determine which ISA I/O address range is associated with each UART (see Tables 2-6a, 2-6b).

TABLE 2-6a. COM Port Selection for UART1

FAR		UART1
Bit 3	Bit 2	COM #
0	0	1 (3F8-F)
0	1	2 (2F8-F)
1	0	3 (Table 2–7)
1	1	4 (Table 2–7)

TABLE 2-6b. COM Port Selection for UART2

FAR		UART2
Bit 5	Bit 4	COM #
0	0	1
0	1	2
1	0	3
1	1	4

Note: COM3 and COM4 addresses are determined by Bits 6 and 7.

Bits 6,7 These bits select the addresses that will be used for COM3 and COM4 (see Table 2-7).

TABLE 2-7. Address Selection for COM3 and COM4

Bit 7	Bit 6	COM3 IRQ4	COM4 IRQ3
0	0	3E8–Fh	2E8–Fh
0	1	338–Fh	238–Fh
1	0	2E8–Fh	2E0–7h
1	1	220–7h	228–Fh

2.5.3 Power and Test Register (PTR, Index = 2)

This register determines several power down features: the power down method used when the power down pin

($\overline{\text{PWRN}}$) is asserted (crystal and clocks vs clocks only), whether hardware power down is enabled, and provides a bit for software power down of all enabled functions. It selects whether IRQ7 or IRQ5 is associated with LPT2. It puts the enabled UARTs into their test mode. Independent of this register the floppy disk controller can enter low power mode via the Mode Command or the Data Rate Select Register.

Bit 0 Setting this bit causes all enabled functions to be powered down. If the crystal power down option is selected (see Bit 1) the crystal will also be powered down. All register data is retained when the crystal or clocks are stopped.

Bit 1 When the Power Down pin or Bit 0 is asserted this bit determines whether the enabled functions will have their internal clocks stopped (Bit 1 = 0) or the external crystal (Bit 1 = 1) will be stopped. Stopping the crystal is the lowest power consumption state of the part. However, if the crystal is stopped, a finite amount of time (~8 ms) will be required for crystal stabilization once the Power Down pin ($\overline{\text{PWRN}}$) or Bit 0 is deasserted. If all internal clocks are stopped, but the crystal continues to oscillate, no stabilization period is required after the Power Down pin or Bit 0 is deasserted.

Bit 2 Setting this bit enables the chip select function of the $\overline{\text{PWRN}}/\text{CSOUT}$ pin. Resetting this bit enables the power down function of this pin.

Bit 3 Setting this bit associates the parallel port with IRQ7 when the address for the parallel port is 378–37Fh (LPT2). This bit is a “don’t care” when the parallel port address is 3BC–3BEh (LPT1) or 278–27Fh (LPT3).

Bit 4 Setting this bit puts UART1 into a test mode, which causes its Baudout clock to be present on its SOUT1 pin if the Line Control Register bit 7 is set to 1.

Bit 5 Setting this bit puts UART2 into a test mode, which causes its Baudout clock to be present on its SOUT2 pin if the Line Control Register bit 7 is set to 1.

Bit 6 Setting this bit to a one prevents all further write accesses to the Configuration Registers. Once this bit is set by software it can only be cleared by a hardware reset. After the initial hardware reset this bit is zero.

Bit 7 This bit determines the operating mode of the parallel port. If PTR7 is low, then the parallel port is in Compatible Mode. If PTR7 is high, then the parallel port is in Extended Mode. This bit will be the inverse of the state of the $\overline{\text{POE}}$ pin immediately after reset has occurred. PTR7 can be programmed at any time.

2.6 POWER DOWN OPTIONS

There are various methods for entering the power down mode. All methods result in one of three possible modes. This section associates the methods of entering the power down with the resulting mode.

Mode 1: The internal clock stops for a specific function (i.e., UART1 and/or UART2 and/or FDC).

This mode is entered by:

- Clearing the FER bit for the specific function that will be powered down. See Section 2.5.1 FER bits 1–3.
- Also during reset by setting certain CFG0–4 pins. See Table 2-1.

2.0 Configuration Registers (Continued)

C. Or by executing the FDC Mode Command with the PTR bit 1 = 0. (XTAL/CLK) See Section 4.2.6 LOW PWR.

D. Or by setting Data Rate Select Register bit 6 high in the FDC with the PTR bit 1 = 0. See Section 3.6 bit 6.

Mode 2: The internal clocks are stopped for all enabled functions.

Note: Clocks to disabled functions are always inactive.

This mode is entered by:

A. Clearing all FER bits for any enabled function. See Section 2.5.1 (FER bits 1–3).

B. Or by clearing PTR bits 1 (XTAL/CLK) and 2 (CSOUT/PWDN select) and then asserting the PWDN signal low. See Section 2.5.3 PTR bits 1,2 and Section 1.0 PWDN pin.

C. Or by clearing PTR bit 1 and then setting PTR bit 0 (Power Down) high. See Section 2.5.3 (PTR bits 0 and 1).

Mode 3: The external crystal is stopped and internal clocks are stopped for all enabled functions.

This mode is entered by:

A. Clearing all FER bits that enable the FDC, UART1, and UART2 functions. See Section 2.5.1 (FER bits 1–3).

B. Setting PTR bit 1 (XTAL/CLK), clearing PTR bit 2 (CSOUT/PWDN select), and then asserting the PWDN signal low. See Section 2.5.3 PTR bits 1,2 and Section 1.0 PWDN pin.

C. Or by setting PTR bit 1 and then setting PTR bit 0 high. See Section 2.5.3 PTR bits 0 and 1.

D. Or during reset by pulling CFG0–4 pins high.

E. Or by executing the FDC Mode Command with the PTR bit 1 = 1. See Section 4.2.6 LOW PWR.

F. Or by setting Data Rate Select Register bit 6 high in the FDC with the PTR bit 1 = 1. See Section 3.6 bit 6.

2.7 POWER-UP PROCEDURE AND CONSIDERATIONS

2.7.1 Crystal Stabilization

If the crystal is stopped by putting either the FDC or the UARTs into low power mode, then a finite amount of time (~8 ms) must be allowed for crystal stabilization during subsequent power-up. The stabilization period can be sensed by reading the Main Status Register in the FDC, if the FDC is being powered up. (The Request for Master bit will not be set for ~8 ms.) If either one of the UARTs are being powered up, but the FDC is not, then the software must determine the ~8 ms crystal stabilization period. Stabilization of the crystal can also be sensed by putting the UART into local loopback mode and sending bytes until they are received correctly.

2.7.2 UART Power-Up

The clock signal to the UARTs is controlled through the Configuration Registers (FER, PTR). In order to restore the clock signal to one or both UARTs the following conditions must exist:

1. The appropriate enable bit (FER1,2) for the UART(s) must be set
2. and the Power Down bit (PTR0) must not be set

3. and if the PWDN pin option (PTR2) is used the CSOUT/PDWN pin must be inactive.

If the crystal has been stopped follow the guidelines in Section 2.7.1 before sending data or signaling that the receiver channel is ready.

2.7.3 FDC Power-Up

The clock signal to the FDC is controlled through the Configuration Registers, the FDC Mode Command and the Data Rate Select Register. In order to restore the clock signal to the FDC the following conditions must exist:

1. The appropriate enable bit (FER3) must be set
2. and the Power Down bit (PTR0) must not be set
3. and if the PWDN pin option (PTR2) is used the CSOUT/PDWN pin must be inactive.

In addition to these conditions, one of the following must be done to initiate the recovery from Power Down mode:

1. Read the Main Status Register until the ROM bit (MSR7) is set
2. or write to the Data Rate Select Register and set the Software Reset bit (DSR7)
3. or write to the Digital Output Register and set, and then the clear Reset bit (DOR2)
4. or read the Data Register and the Main Status Register until the ROM bit is set.

If the crystal has been stopped, read the RQM bit in the Main Status Register until it is set. The RQM bit does not get set until the crystal has stabilized.

3.0 FDC Register Description

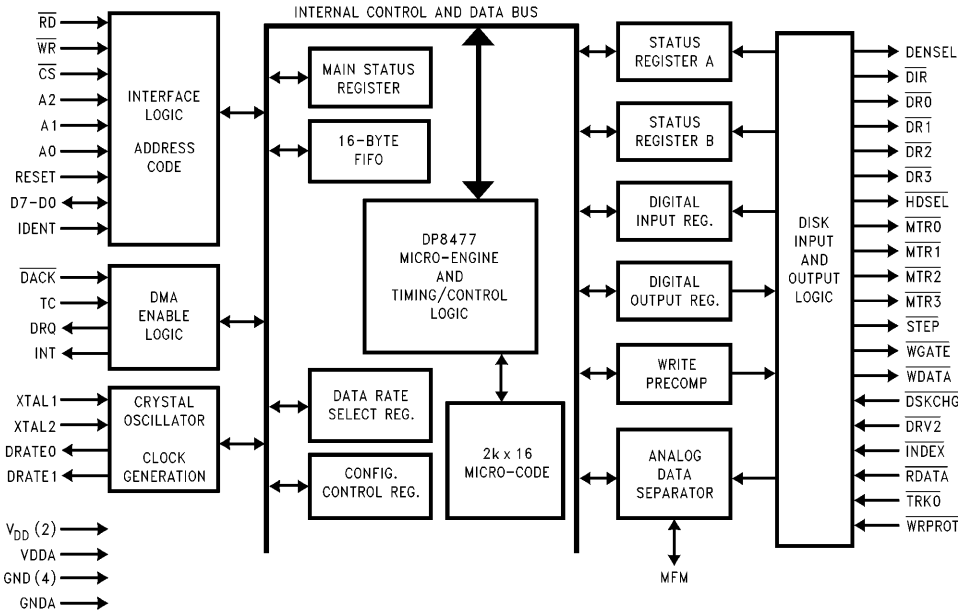
The floppy disk controller is suitable for all PC-AT, EISA, PS/2, and general purpose applications. The operational mode (PC-AT, PS/2, and Model 30) of the FDC is determined by hardware strapping of the IDENT and MFM pins. DP8473 and N82077 software compatibility is provided. Key features include the 16-byte FIFO, PS/2 diagnostic register support, the perpendicular recording mode, CMOS disk interface, and a high performance analog data separator.

The FDC supports the standard PC data rates of 250 kb/s, 300 kb/s and 500 kb/s, and 1 Mb/s in MFM encoded data mode, but is no longer guaranteed through functional testing to support the older FM encoded data mode. References to the older FM mode remain in this document to clarify the true functional operation of the device.

The 1 Mb/s data rate is used by new high performance tape and floppy drives emerging in the PC market today. The new floppy drives utilize high density media which requires the FDC supported perpendicular recording mode format. When used with the 1 Mb/s data rate this new format allows the use of 4 MB floppy drives which format ED media to 2.88 MB data capacity.

The high performance internal analog data separator needs no external components. It improves on the window margin performance standards of the DP8473, and is compatible with the strict data separator requirements of floppy and floppy-tape drives.

3.0 FDC Register Description (Continued)



TL/F/11362-4

FIGURE 3-1. FDC Functional Block Diagram

The FDC contains write precompensation circuitry that will default to 125 ns for 250, 300, and 500 kb/s (41.67 ns at 1 Mb/s). These values can be overridden in software to disable write precompensation or to provide levels of precompensation up to 250 ns. The FDC has internal 24 mA data bus buffers which allow direct connection to the system bus. The internal 40 mA totem-pole disk interface buffers are compatible with both CMOS drive inputs and 150Ω resistor terminated disk drive inputs.

The following FDC registers are mapped into the addresses shown below, with the base address range being provided by the on-chip address decoder pin. For PC-AT or PS/2 applications, the diskette controller primary address range is 3F0 to 3F7 (hex), and the secondary address range is 370 to 377 (hex). The FDC supports three different register modes: the PC-AT mode, PS/2 mode (Micro Channel systems), and the Model 30 mode (Model 30). See Section 5.1 for more details on how each register mode is enabled. When applicable, the register definition for each mode of operation will be given. If no special notes are made, then the register is valid for all three register modes.

TABLE 3-1. Register Description and Addresses

A2	A1	A0	IDENT	R/W	Register	
0	0	0	0	R	Status Register A	SRA
0	0	1	0	R	Status Register B	SRB
0	1	0	X	R/W	Digital Output Register	DOR
0	1	1	X	R/W	Tape Drive Register	TDR
1	0	0	X	R	Main Status Register	MSR
1	0	0	X	W	Data Rate Select Register	DSR
1	0	1	X	R/W	Data Register (FIFO)	FIFO
1	1	0	X	X	None (Bus TRI-STATE)	
1	1	1	X	R	Digital Input Register	DIR
1	1	1	X	W	Configuration Control Register	CCR

Note: SRA and SRB are enabled by IDENT = 0 during a chip reset only.

3.1 STATUS REGISTER A (SRA) Read Only

This is a read-only diagnostic register that is part of the PS/2 floppy controller register set, and is enabled when in the PS/2 or Model 30 mode. This register monitors the state of the IRQ6 pin and some of the disk interface signals. The SRA can be read at any time when in PS/2 mode. In the PC-AT mode, D7-D0 are TRI-STATE during a μP read.

3.0 FDC Register Description (Continued)

3.1.1 SRA—PS/2 Mode

	D7	D6	D5	D4	D3	D2	D1	D0
DESC	IRQ6 PEND	DRV2	STEP	TRK0	HDSEL	INDX	WP	DIR
RESET COND	0	N/A	0	N/A	0	N/A	N/A	0

- D7 Interrupt Pending:** This active high bit reflects the state of the IRQ6 pin.
- D6 2nd Drive Installed:** Active low status of the DRV2 disk interface input, indicating if a second drive has been installed.
- D5 Step:** Active high status of the STEP disk interface output.
- D4 Track 0:** Active low status of the TRK0 disk interface input.
- D3 Head Select:** Active high status of the HDSEL disk interface output.
- D2 Index:** Active low status of the INDEX disk interface input.
- D1 Write Protect:** Active low status of the WP disk interface input.
- D0 Direction:** Active high status of the DIR disk interface output.

3.1.2 SRA—Model 30 Mode

	D7	D6	D5	D4	D3	D2	D1	D0
DESC	IRQ6 PEND	DRQ	STEP	TRK0	HDSEL	INDX	WP	DIR
RESET COND	0	0	0	N/A	1	N/A	N/A	1

- D7 Interrupt Pending:** This active high bit reflects that state of the IRQ6 pin.
- D6 DMA Request:** Active high status of the DRQ signal.
- D5 Step:** Active high status of the latched STEP disk interface output. This bit is latched with the STEP output going active, and is cleared with a read from the DIR, or with a hardware or software reset.
- D4 Track 0:** Active high status of TRK0 disk interface input.
- D3 Head Select:** Active low status of the HDSEL disk interface output.
- D2 Index:** Active high status of the INDEX disk interface input.
- D1 Write Protect:** Active high status of the WP disk interface input.
- D0 Direction:** Active low status of the DIR disk interface output.

3.2 STATUS REGISTER B (SRB) Read Only

This is a read-only diagnostic register that is part of the PS/2 floppy controller register set, and is enabled when in the PS/2 or Model 30 mode. The SRB can be read at any time when in PS/2 mode. In the PC-AT mode, D7–D0 are TRI-STATE during a μ P read.

3.2.1 SRB—PS/2 Mode

	D7	D6	D5	D4	D3	D2	D1	D0
DESC	1	1	DR0	WDATA	RDATA	WGATE	MTR1	MTR0
RESET COND	N/A	N/A	0	0	0	0	0	0

- D7 Reserved:** Always 1.
- D6 Reserved:** Always 1.
- D5 Drive Select 0:** Reflects the status of the Drive Select 0 bit in the DOR (address 2, bit 0). This bit is cleared after a hardware reset, not a software reset.
- D4 Write Data:** Every inactive edge transition of the WDATA disk interface output causes this bit to change states.
- D3 Read Data:** Every inactive edge transition of the RDATA disk interface output causes this bit to change states.
- D2 Write Gate:** Active high status of the WGATE disk interface output.
- D1 Motor Enable 1:** Active high status of the MTR1 disk interface output. Low after a hardware reset, unaffected by a software reset.
- D0 Motor Enable 0:** Active high status of the MTR0 disk interface output. Low after a hardware reset, unaffected by a software reset.

3.2.2 SRB—Model 30 Mode

	D7	D6	D5	D4	D3	D2	D1	D0
DESC	DRV2	DR1	DR0	WDATA	RDATA	WGATE	DR3	DR2
RESET COND	N/A	1	1	0	0	0	1	1

- D7 2nd Drive Installed:** Active low status of the DRV2 disk interface input.
- D6 Drive Select 1:** Active low status of the DR1 disk interface output.
- D5 Drive Select 0:** Active low status of the DR0 disk interface output.
- D4 Write Data:** Active high status of latched WDATA signal. This bit is latched by the inactive going edge of WDATA and is cleared by a read from the DIR. This bit is not gated by WGATE.

3.0 FDC Register Description (Continued)

- D3 Read Data:** Active high status of latched RDATA signal. This bit is latched by the inactive going edge of RDATA and is cleared by a read from the DIR.
- D2 Write Gate:** Active high status of latched WGATE signal. This bit is latched by the active going edge of WGATE and is cleared by a read from the DIR.
- D1 Drive Select 3:** Active low status of the DR3 disk interface output. (Note 1)
- D0 Drive Select 2:** Active low status of the DR2 disk interface output. (Note 1)

3.3 DIGITAL OUTPUT REGISTER (DOR) Read/Write

The DOR controls the drive select and motor enable disk interface outputs, enables the DMA logic, and contains a software reset bit. The content of the DOR is set to 00 (hex) after a hardware reset, and is unaffected by a software reset. (Note 2)

DOR

	D7	D6	D5	D4	D3	D2	D1	D0
DESC	MTR3	MTR2	MTR1	MTR0	DMAEN	RESET	DRIVE SEL 1	DRIVE SEL 0
RESET COND	0	0	0	0	0	0	0	0

- D7 Motor Enable 3:** This bit controls the MTR3 disk interface output. A 1 in this bit causes the MTR3 pin to go active. (Note 1)
- D6 Motor Enable 2:** Same function as D7 except for MTR2. (Note 1)
- D5 Motor Enable 1:** Same function as D7 except for MTR1.
- D4 Motor Enable 0:** Same function as D7 except for MTR0.
- D3 DMA Enable:** This bit has two modes of operation.
PC-AT mode or Model 30 mode: Writing a 1 to this bit will enable the DRQ, DACK, TC, and IRQ6 pins. Writing a 0 to this bit will disable the DACK and TC pins and TRI-STATE the DRQ and the IRQ6 pins. This bit is a 0 after a reset when in these modes.
PS/2 mode: This bit is reserved, and the DRQ, DACK, TC, and IRQ6 pins will always be enabled. During a reset, the DRQ, DACK, TC, and IRQ6 lines will remain enabled, and D3 will be a 0.
- D2 Reset Controller:** Writing a 0 to this bit resets the controller. It will remain in the reset condition until a 1 is written to this bit. A software reset does not affect the DSR, CCR, and other bits of the DOR. A software reset will affect the Configure and Mode command bits (see Section 4.0 Command Set Description). The minimum time that this bit must be low is 100 ns. Thus, toggling the Reset Controller bit during consecutive writes to the DOR is an acceptable method of issuing a software reset.
- D1,D0 Drive Select:** These two bits are binary encoded for the four drive selects DR0–DR3, so that only one drive select output is active at a time. (Note 1)

Note 1: The MTR3, MTR2, DRV3, DRV2 pins are only available in 4-drive mode (FER4 = 1) and require external logic.

Note 2: The DOR can be written to at any time, but only one drive select output in conjunction with its corresponding motor is active at a time.

It is common programming practice to enable both the motor enable and drive select outputs for a particular drive. Table 3-2 below shows the DOR values to enable each of the four drives.

TABLE 3-2. Drive Enable Values

Drive	DOR Value
0	1C (hex)
1	2D
2	4E
3	8F

3.4 TAPE DRIVE REGISTER (TDR) Read/Write

This register is used to assign a particular drive number with the tape drive support mode of the data separator. All other logical drives are assigned floppy drive support with the data separator. Any future reference to the assigned tape drive will invoke tape drive support. The TDR is unaffected by a software reset.

TDR

	D7	D6	D5	D4	D3	D2	D1	D0
DESC	X	X	X	X	X	X	TAPE SEL 1	TAPE SEL 0
RESET COND	N/A	N/A	N/A	N/A	N/A	N/A	0	0

D7–D2 Reserved: These bits are ignored when written to and are TRI-STATE when read.

D1,D0 Tape Select 1,0: These two bits assign a logical drive number to be a tape drive. Drive 0 is not available as a tape drive, and is reserved as the floppy disk boot drive. See Table 3-3 for the tape drive assignment values.

TABLE 3-3. Tape Drive Assignment Values

TAPSEL1	TAPSEL0	Drive Selected
0	0	None
0	1	1
1	0	2
1	1	3

3.5 MAIN STATUS REGISTER (MSR) Read Only

The read-only Main Status Register indicates the current status of the disk controller. The Main Status Register is always available to be read. One of its functions is to control the flow of data to and from the Data Register (FIFO). The Main Status Register indicates when the disk controller is ready to send or receive data through the Data Register. It should be read before each byte is transferred to or from the Data Register except during a DMA transfer. No delay is required when reading this register after a data transfer.

3.0 FDC Register Description (Continued)

After a hardware or software reset, or recovery from a power down state, the Main Status Register is immediately available to be read by the μ P. It will contain a value of 00 hex until the oscillator circuit has stabilized, and the internal registers have been initialized. When the FDC is ready to receive a new command, it will report an 80 hex to the μ P. The system software can poll the MSR until it is ready. The worst case time allowed for the MSR to report an 80 hex value (RQM set) is 2.5 μ s after reset or power up.

MSR

	D7	D6	D5	D4	D3	D2	D1	D0
DESC	RQM	DIO	NON DMA	CMD PROG	DRV3 BUSY	DRV2 BUSY	DRV1 BUSY	DRV0 BUSY
RESET COND	0	0	0	0	0	0	0	0

- D7 Request for Master:** Indicates that the controller is ready to send or receive data from the μ P through the FIFO. This bit is cleared immediately after a byte transfer and will become set again as soon as the disk controller is ready for the next byte. During a Non-DMA Execution phase, the RQM indicates the status of the interrupt pin.
- D6 Data I/O (Direction):** Indicates whether the controller is expecting a byte to be written to (0) or read from (1) the Data Register.
- D5 Non-DMA Execution:** Indicates that the controller is in the Execution Phase of a byte transfer operation in the Non-DMA mode. Used for multiple byte transfers by the μ P in the Execution Phase through interrupts or software polling.
- D4 Command in Progress:** This bit is set after the first byte of the Command Phase is written. This bit is cleared after the last byte of the Result Phase is read. If there is no Result Phase in a command, the bit is cleared after the last byte of the Command Phase is written.
- D3 Drive 3 Busy:** Set after the last byte of the Command Phase of a Seek or Recalibrate command is issued for drive 3. Cleared after reading the first byte in the Result Phase of the Sense Interrupt Command for this drive.
- D2 Drive 2 Busy:** Same as above for drive 2.
- D1 Drive 1 Busy:** Same as above for drive 1.
- D0 Drive 0 Busy:** Same as above for drive 0.

3.6 DATA RATE SELECT REGISTER (DSR) Write Only

This write-only register is used to program the data rate, amount of write precompensation, power down mode, and software reset. The data rate is programmed via the CCR, not the DSR, for PC-AT and PS/2 Model 30 and MicroChannel applications. Other applications can set the data rate in the DSR. The data rate of the floppy controller is determined by the most recent write to either the DSR or CCR.

The DSR is unaffected by a software reset. A hardware reset will set the DSR to 02 (hex), which corresponds to the default precompensation setting and 250 kb/s.

DSR

	D7	D6	D5	D4	D3	D2	D1	D0
DESC	S/W RESET	LOW POWER	0	PRE- COMP2	PRE- COMP1	PRE- COMP0	DRATE1	DRATE0
RESET COND	0	0	0	0	0	0	1	0

- D7 Software Reset:** This bit has the same function as the DOR RESET (D2) except that this software reset is self-clearing.
- D6 Low Power:** A 1 to this bit will put the controller into the Manual Low Power mode. The oscillator and data separator circuits will be turned off. Manual Low Power can also be accessed via the Mode command. The chip will come out of low power after a software reset, or access to the Data Register or Main Status Register.
- D5** Undefined. Should be set to 0.
- D4–D2 Precompensation Select:** These three bits select the amount of write precompensation the floppy controller will use on the WDATA disk interface output. Table 3-4 shows the amount of precompensation used for each bit pattern. In most cases, the default values (Table 3-5) can be used; however, alternate values can be chosen for specific types of drives and media. Track 0 is the default starting track number for precompensation. The starting track number can be changed in the Configure command.

TABLE 3-4. Write Precompensation Delays

Precomp 432	Precompensation Delay
111	0.0 ns
001	41.7 ns
010	83.3 ns
011	125.0 ns
100	166.7 ns
101	208.3 ns
110	250.0 ns
000	DEFAULT

TABLE 3-5. Default Precompensation Delays

Data Rate	Precompensation Delay
1 Mb/s	41.7 ns
500 kb/s	125.0 ns
300 kb/s	125.0 ns
250 kb/s	125.0 ns

3.0 FDC Register Description (Continued)

D1,D0 Data Rate Select 1,0: These bits determine the data rate for the floppy controller. See Table 3-6 for the corresponding data rate for each value of D1, D0. The data rate select bits are unaffected by a software reset, and are set to 250 kb/s after a hardware reset.

TABLE 3-6. Data Rate Select Encoding

Data Rate Select		Data Rate	
1	0	MFM	FM
1	1	1 Mb/s	Illegal
0	0	500 kb/s	250 kb/s
0	1	300 kb/s	150 kb/s
1	0	250 kb/s	125 kb/s

Note: FM mode is not guaranteed through functional testing.

3.7 DATA REGISTER (FIFO) Read/Write

The FIFO (read/write) is used to transfer all commands, data, and status between the μ P and the FDC. During the Command Phase, the μ P writes the command bytes into the FIFO after polling the RQM and DIO bits in the MSR. During the Result Phase, the μ P reads the result bytes from the FIFO after polling the RQM and DIO bits in the MSR.

The enabling of the FIFO and setting of the FIFO threshold is done via the Configure command. If the FIFO is enabled, only the Execution Phase byte transfers use the 16 byte FIFO. The FIFO is always disabled during the Command and Result Phases of a controller operation. If the FIFO is enabled, it will not be disabled after a software reset if the LOCK bit is set in the Lock Command. After a hardware reset, the FIFO is disabled to maintain compatibility with PC-AT systems.

The 16-byte FIFO can be used for DMA, Interrupt, or software polling type transfers during the execution of a read, write, format, or scan command. In addition, the FIFO can be put into a Burst or Non-Burst mode with the Mode command. In the Burst mode, DRQ or IRQ6 remains active until all of the bytes have been transferred to or from the FIFO. In the Non-Burst mode, DRQ or IRQ6 is deasserted for 350 ns to allow higher priority transfer requests to be serviced. The Mode command can also disable the FIFO for either reads or writes separately. The FIFO allows the system a larger latency without causing a disk overrun/underrun error. Typical uses of the FIFO would be at the 1 Mb/s data rate, or with multi-tasking operating systems. The default state of the FIFO is disabled, with a threshold of zero. The default state is entered after a hardware reset.

Data Register (FIFO)

	D7	D6	D5	D4	D3	D2	D1	D0
DESC	Data [7:0]							
RESET COND	Byte Mode							

During the Execution Phase of a command involving data transfer to/from the FIFO, the system must respond to a data transfer service request based on the following formula:

Maximum Allowable Data Transfer Service Time

$$(\text{THRESH} + 1) \times 8 \times t_{\text{DRP}} - (16 \times t_{\text{ICP}})$$

This formula is good for all data rates with the FIFO enabled or disabled. THRESH is a four bit value programmed in the

Configure command, which sets the FIFO threshold. If the FIFO is disabled, THRESH is zero in the above formula. The last term of the formula, $(16 \times t_{\text{ICP}})$ is an inherent delay due to the microcode overhead required by the FDC. This delay is also data rate dependent. See Table 9-1 for the t_{DRP} and t_{ICP} times.

The programmable FIFO threshold (THRESH) is useful in adjusting the floppy controller to the speed of the system. In other words, a slow system with a sluggish DMA transfer capability would use a high value of THRESH, giving the system more time to respond to a data transfer service request (DRQ for DMA mode or IRQ6 for Interrupt mode). Conversely, a fast system with quick response to a data transfer service request would use a low value of THRESH.

3.8 DIGITAL INPUT REGISTER (DIR) Read Only

This diagnostic register is used to detect the state of the DSKCHG disk interface input and some diagnostic signals. The function of this register depends on the register mode of operation. When in the PC-AT mode, the D6–D0 are TRI-STATE to avoid conflict with the fixed disk status register at the same address. The DIR is unaffected by a software reset.

3.8.1 DIR—PC-AT Mode

	D7	D6	D5	D4	D3	D2	D1	D0
DESC	DSKCHG	X	X	X	X	X	X	X
RESET COND	N/A	N/A	N/A	N/A	N/A	N/A	N/A	N/A

D7 Disk Changed: Active high status of DSKCHG disk interface input. During power down this bit will be invalid, if it is read by the software.

D6–D0 Undefined: TRI-STATE. Used by Hard Disk Controller Status Register.

3.8.2 DIR—PS/2 Mode

	D7	D6	D5	D4	D3	D2	D1	D0
DESC	DSKCHG	1	1	1	1	DRATE1	DRATE0	HIGH DEN
RESET COND	N/A	N/A	N/A	N/A	N/A	N/A	N/A	1

D7 Disk Changed: Active high status of DSKCHG disk interface input. During power down this bit will be invalid, if it is read by the software.

D6–D3 Reserved: Always 1.

D2,D1 Data Rate Select 1,0: These bits indicate the status of the DRATE1,0 bits programmed through the DSR CCR.

D0 High Density: This bit is low when the 1 Mb/s or 500 kb/s data rate is chosen, and high when the 300 kb/s or 250 kb/s data rate is chosen. This bit is independent of the IDENT value.

3.8.3 DIR—Model 30 Mode

	D7	D6	D5	D4	D3	D2	D1	D0
DESC	DSKCHG	0	0	0	DMAEN	NOPRE	DRATE1	DRATE0
RESET COND	N/A	0	0	0	0	0	1	0

3.0 FDC Register Description (Continued)

D7 Disk Changed: Active low status of DSKCHG disk interface input. During power down this bit will be invalid, if it is read by the software.

D6–D4 Reserved: Always 0.

D3 DMA Enable: Active high status of the DMAEN bit in the DOR.

D2 No Precompensation: Active high status of the NOPRE bit in the CCR.

D1,D0 Data Rate Select 1,0: These bits indicate the status of the DRATE 1,0 bits programmed through the DSR/CCR.

3.9 CONFIGURATION CONTROL REGISTER (CCR)

Write Only

This is the write-only data rate register commonly used in PC-AT applications. This register is not affected by a software reset, and is set to 250 kb/s after a hardware reset. The data rate of the floppy controller is determined by the last write to either the CCR or DSR.

3.9.1 CCR—PC-AT and PS/2 Modes

	D7	D6	D5	D4	D3	D2	D1	D0
DESC	0	0	0	0	0	0	DRATE1	DRATE0
RESET COND	N/A	N/A	N/A	N/A	N/A	N/A	1	0

D7–D2 Reserved: Should be set to 0.

D1,D0 Data Rate Select 1,0: These bits determine the data rate of the floppy controller. See Table 3-6 for the appropriate values.

3.9.2 CCR—Model 30 Mode

	D7	D6	D5	D4	D3	D2	D1	D0
DESC	0	0	0	0	0	NOPRE	DRATE1	DRATE0
RESET COND	N/A	N/A	N/A	N/A	N/A	N/A	1	0

D7–D3 Reserved: Should be set to 0.

D2 No Precompensation: This bit can be set by software, but it has no functionality. It can be read by bit D2 of the DIR when in the Model 30 register mode. Unaffected by a software reset.

D1,D0 Data Rate Select 1,0: These bits determine the data rate of the floppy controller. See Table 3-6 for the appropriate values.

3.10 RESULT PHASE STATUS REGISTERS

The Result Phase of a command contains bytes that hold status information. The format of these bytes is described below. Do not confuse these status bytes with the Main Status Register, which is a read only register that is always valid. The Result Phase status registers are read from the Data Register (FIFO) only during the Result Phase of certain commands (see Section 4.1 Command Set Summary). The status of each register bit is indicated when the bit is a 1.

3.10.1 Status Register 0 (ST0)

	D7	D6	D5	D4	D3	D2	D1	D0
DESC	IC	IC	SE	EC	0	HDS	DS1	DS0
RESET COND	0	0	0	0	0	0	0	0

D7–D6 Interrupt Code:

00 = Normal Termination of Command.

01 = Abnormal Termination of Command. Execution of command was started, but was not successfully completed.

10 = Invalid Command Issued. Command issued was not recognized as a valid command.

11 = Internal drive ready status changed state during the drive polling mode. Only occurs after a hardware or software reset.

D5 Seek End: Seek, Relative Seek, or Recalibrate command completed by the controller. (Used during a Sense Interrupt command.)

D4 Equipment Check: After a Recalibrate command, Track 0 signal failed to occur. (Used during Sense Interrupt command.)

D3 Not Used. Always 0.

D2 Head Select: Indicates the active high status of the HDSEL pin at the end of the Execution Phase.

D1,D0 Drive Select 1,0: These two binary encoded bits indicate the logical drive selected at the end of the Execution Phase.

00 = Drive 0 selected.

01 = Drive 1 selected.

10 = Drive 2 selected.

11 = Drive 3 selected.

3.10.2 Status Register 1 (ST1)

	D7	D6	D5	D4	D3	D2	D1	D0
DESC	ET	0	CE	OR	0	ND	NW	MA
RESET COND	0	0	0	0	0	0	0	0

D7 End of Track: Controller transferred the last byte of the last sector without the TC pin becoming active. The last sector is the End of Track sector number programmed in the Command Phase.

D6 Not Used. Always 0.

D5 CRC Error: If this bit is set and bit 5 of ST2 is clear, then there was a CRC error in the Address Field of the correct sector. If bit 5 of ST2 is also set, then there was a CRC error in the Data Field.

D4 Overrun: Controller was not serviced by the μ P soon enough during a data transfer in the Execution Phase. For read operations, indicates a data overrun. For write operations, indicates a data underrun.

D3 Not Used. Always 0.

D2 No Data: Three possible problems:

1. Controller cannot find the sector specified in the Command Phase during the execution of a Read, Write, Scan, or Verify command. An address mark was found however, so it is not a blank disk.
2. Controller cannot read any Address Fields without a CRC error during a Read ID command.
3. Controller cannot find starting sector during execution of Read A Track command.

D1 Not Writable: Write Protect pin is active when a Write or Format command is issued.

3.0 FDC Register Description

(Continued)

D0 Missing Address Mark: If bit 0 of ST2 is clear then the controller cannot detect any Address Field Address Mark after two disk revolutions. If bit 0 of ST2 is set then the controller cannot detect the Data Field Address Mark after finding the correct Address Field.

3.10.3 Status Register 2 (ST2)

	D7	D6	D5	D4	D3	D2	D1	D0
DESC	0	CM	CD	WT	SEH	SNS	BT	MD
RESET COND	0	0	0	0	0	0	0	0

D7 Not Used. Always 0.

D6 Control Mark: Controller tried to read a sector which contained a deleted data address mark during execution of Read Data or Scan commands. Or, if a Read Deleted Data command was executed, a regular address mark was detected.

D5 CRC Error in Data Field: Controller detected a CRC error in the Data Field. Bit 5 of ST1 is also set.

D4 Wrong Track: Only set if desired sector is not found, and the track number recorded on any sector of the current track is different from the track address specified in the Command Phase.

D3 Scan Equal Hit: "Equal" condition satisfied during any Scan command.

D2 Scan Not Satisfied: Controller cannot find a sector on the track which meets the desired condition during any Scan command.

D1 Bad Track: Only set if the desired sector is not found, the track number recorded on any sector on the track is FF (hex) indicating a hard error in IBM format, and is different from the track address specified in the Command Phase.

D0 Missing Address Mark in Data Field: Controller cannot find the Data Field AM during a Read, Scan, or Verify command. Bit 0 of ST1 is also set.

3.10.4 Status Register 3 (ST3)

	D7	D6	D5	D4	D3	D2	D1	D0
DESC	0	WP	1	TK0	1	HDS	DS1	DS0
RESET COND	0	0	1	0	1	0	0	0

D7 Not Used. Always 0.

D6 Write Protect: Indicates active high status of the WP pin.

D5 Not Used. Always 1.

D4 Track 0: Indicates active high status of the TRK0 pin.

D3 Not Used. Always 1.

D2 Head Select: Indicates the active high status of the HD bit in the Command Phase.

D1,D0 Drive Select 1,0: These two binary encoded bits indicate the DS1,DS0 bits in the Command Phase.

4.0 FDC Command Set Description

The following is a table of the FDC command set. Each command contains a unique first command byte called the opcode byte which will identify to the controller how many command bytes to expect. If an invalid command byte is issued to the controller, it will immediately go into the Result Phase and the status will be 80 (hex), which signifies Invalid Command.

4.1 COMMAND SET SUMMARY

CONFIGURE

Command Phase

0	0	0	1	0	0	1	1
0	0	0	0	0	0	0	0
0	EIS	FIFO	POLL	THRESH			
PRETRK							

Execution Phase: Internal registers written.

No Result Phase

DUMPREG

Command Phase

0	0	0	0	1	1	1	0
---	---	---	---	---	---	---	---

Execution Phase: Internal registers read.

Result Phase

PTR Drive 0							
PTR Drive 1							
PTR Drive 2							
PTR Drive 3							
Step Rate Time				Motor Off Time			
Motor On Time							DMA
Sector per Track/End of Track							
LOCK	0	DC3	DC2	DC1	DC0	GAP	WG
0	EIS	FIFO	POLL	THRESH			
PRETRK							

Note: Sectors per Track parameter returned if last command issued was Format. End of Track parameter returned if last command issued was Read or Write.

FORMAT TRACK

Command Phase

0	MFM	0	0	1	1	0	1
X	X	X	X	X	HD	DR1	DR0
Bytes per Sector							
Sectors per Track							
Format Gap							
Data Pattern							

Execution Phase: System transfers four ID bytes (track, head, sector, bytes/sector) per sector to the floppy controller via DMA or Non-DMA modes. The entire track is formatted. The data block in the Data Field of each sector is filled with the data pattern byte.

4.0 FDC Command Set Description (Continued)

Result Phase

Status Register 0
Status Register 1
Status Register 2
Undefined
Undefined
Undefined
Undefined

INVALID

Command Phase

Invalid Op Codes

Result Phase

Status Register 0 (80 hex)

LOCK

Command Phase

LOCK	0	0	1	0	1	0	0
------	---	---	---	---	---	---	---

Execution Phase: Internal register is written.

Result Phase

0	0	0	LOCK	0	0	0	0
---	---	---	------	---	---	---	---

MODE

Command Phase

0	0	0	0	0	0	0	1
TMR	IAF	IPS	0	LOW PWR	1	ETR	
FWR	FRD	BST	R255	0	0	0	0
DENSEL	BFR	WLD	Head Settle				
0	0	0	0	0	RG	0	PU

Execution Phase: Internal registers are written.

No Result Phase

NSC

Command Phase

0	0	0	1	1	0	0	0
---	---	---	---	---	---	---	---

Result Phase

0	1	1	1	0	0	1	1
---	---	---	---	---	---	---	---

PERPENDICULAR MODE

Command Phase

0	0	0	1	0	0	1	0
OW	0	DC3	DC2	DC1	DC0	GAP	WG

Execution Phase: Internal registers are written.

No Result Phase

READ DATA

Command Phase

MT	MFM	SK	0	0	1	1	0
IPS	X	X	X	X	HD	DR1	DR0
Track Number							
Drive Head Number							
Sector Number							
Bytes per Sector							
End of Track Sector Number							
Intersector Gap Length							
Data Length							

Execution Phase: Data read from disk drive is transferred to system via DMA or Non-DMA modes.

Result Phase

Status Register 0
Status Register 1
Status Register 2
Track Number
Head Number
Sector Number
Bytes per Sector

READ DELETED DATA

Command Phase

MT	MFM	SK	0	1	1	0	0
IPS	X	X	X	X	HD	DR1	DR0
Track Number							
Drive Head Number							
Sector Number							
Bytes per Sector							
End of Track Sector Number							
Intersector Gap Length							
Data Length							

Execution Phase: Data read from disk drive is transferred to system via DMA or Non-DMA modes.

Result Phase

Status Register 0
Status Register 1
Status Register 2
Track Number
Head Number
Sector Number
Bytes per Sector

4.0 FDC Command Set Description (Continued)

READ ID

Command Phase

0	MFM	0	0	1	0	1	0
X	X	X	X	X	HD	DR1	DR0

Execution Phase: Controller reads first ID Field header bytes it can find and reports these bytes to the system in the result bytes.

Result Phase

Status Register 0
Status Register 1
Status Register 2
Track Number
Head Number
Sector Number
Bytes per Sector

READ A TRACK

Command Phase

0	MFM	0	0	0	0	1	0
IPS	X	X	X	X	HD	DR1	DR0

Track Number
Drive Head Number
Sector Number
Bytes per Sector
End of Track Sector Number
Intersector Gap Length
Data Length

Execution Phase: Data read from disk drive is transferred to system via DMA or non-DMA modes.

Result Phase

Status Register 0
Status Register 1
Status Register 2
Track Number
Head Number
Sector Number
Bytes per Sector

RECALIBRATE

Command Phase

0	0	0	0	0	1	1	1
0	0	0	0	0	0	DR1	DR0

Execution Phase: Disk drive head is stepped out to Track 0.

No Result Phase

RELATIVE SEEK

Command Phase

1	DIR	0	0	1	1	1	1
X	X	X	X	X	HD	DR1	DR0

Relative Track Number

Execution Phase: Disk drive head stepped in or out a programmable number of tracks.

No Result Phase

SCAN EQUAL

Command Phase

MT	MFM	SK	1	0	0	0	1
IPS	X	X	X	X	HD	DR1	DR0

Track Number
Drive Head Number
Sector Number
Bytes per Sector
End of Track Sector Number
Intersector Gap Length
Sector Step Size

Execution Phase: Data transferred from system to controller is compared to data read from disk.

Result Phase

Status Register 0
Status Register 1
Status Register 2
Track Number
Head Number
Sector Number
Bytes per Sector

SCAN HIGH OR EQUAL

Command Phase

MT	MFM	SK	1	1	1	0	1
IPS	X	X	X	X	HD	DR1	DR0

Track Number
Drive Head Number
Sector Number
Bytes per Sector
End of Track Sector Number
Intersector Gap Length
Sector Step Size

Execution Phase: Data transferred from system to controller is compared to data read from disk.

4.0 FDC Command Set Description (Continued)

Result Phase

Status Register 0
Status Register 1
Status Register 2
Track Number
Head Number
Sector Number
Bytes per Sector

SCAN LOW OR EQUAL

Command Phase

MT	MFM	SK	1	1	0	0	1
IPS	X	X	X	X	HD	DR1	DR0
Track Number							
Drive Head Number							
Sector Number							
Bytes per Sector							
End of Track Sector Number							
Intersector Gap Length							
Sector Step Size							

Execution Phase: Data transferred from system to controller is compared to data read from disk.

Result Phase

Status Register 0
Status Register 1
Status Register 2
Track Number
Head Number
Sector Number
Bytes per Sector

SEEK

Command Phase

0	0	0	0	1	1	1	1
X	X	X	X	X	HD	DR1	DR0
New Track Number							
MSN of Track Number				0	0	0	0

Note: Last Command Phase byte is required only if ETR is set in Mode Command.

Execution Phase: Disk drive head is stepped in or out to a programmable track.

No Result Phase

SENSE DRIVE STATUS

Command Phase

0	0	0	0	0	1	0	0
X	X	X	X	X	HD	DR1	DR0

Execution Phase: Disk drive status information is detected and reported.

Result Phase

Status Register 3

SENSE INTERRUPT

Command Phase

0	0	0	0	1	0	0	0
---	---	---	---	---	---	---	---

Execution Phase: Status of interrupt is reported.

Result Phase

Status Register 0					
Present Track Number (PTR)					
MSN of PTR		0	0	0	0

Note: Third Result Phase byte can only be read if ETR is set in the Mode Command.

SET TRACK

Command Phase

0	WNR	1	0	0	0	0	1
0	0	1	1	0	MSB	DR1	DR0
New Track Number (PTR)							

Execution Phase: Internal register is read or written.

Result Phase

Value

SPECIFY

Command Phase

0	0	0	0	0	0	1	1
Step Rate Time				Motor Off Time			
Motor On Time						DMA	

Execution Phase: Internal registers are written.

No Result Phase

VERIFY

Command Phase

MT	MFM	SK	1	0	1	1	0
EC	X	X	X	X	HD	DR1	DR0
Track Number							
Drive Head Number							
Sector Number							
Bytes per Sector							
End of Track Sector Number							
Intersector Gap Length							
Data Length/Sector Count							

Execution Phase: Data is read from disk but not transferred to the system.

4.0 FDC Command Set Description (Continued)

Result Phase

Status Register 0
Status Register 1
Status Register 2
Track Number
Head Number
Sector Number
Bytes per Sector

VERSION

Command Phase

0	0	0	1	0	0	0	0
---	---	---	---	---	---	---	---

Result Phase

1	0	0	1	0	0	0	0
---	---	---	---	---	---	---	---

WRITE DATA

Command Phase

MT	MFM	0	0	0	1	0	1
IPS	X	X	X	X	HD	DR1	DR0
Track Number							
Drive Head Number							
Sector Number							
Bytes per Sector							
End of Track Sector Number							
Intersector Gap Length							
Data Length							

Execution Phase: Data is transferred from the system to the controller via DMA or Non-DMA modes and written to the disk.

Result Phase

Status Register 0
Status Register 1
Status Register 2
Track Number
Head Number
Sector Number
Bytes per Sector

WRITE DELETED DATA

Command Phase

MT	MFM	0	0	1	0	0	1
IPS	X	X	X	X	HD	DR1	DR0
Track Number							
Drive Head Number							
Sector Number							
Bytes per Sector							
End of Track Sector Number							
Intersector Gap Length							
Data Length							

Execution Phase: Data is transferred from the system to the controller via DMA or Non-DMA modes and written to the disk.

Result Phase

Status Register 0
Status Register 1
Status Register 2
Track Number
Head Number
Sector Number
Bytes per Sector

4.2 COMMAND DESCRIPTION

4.2.1 Configure Command

The Configure Command will control some operation modes of the controller. It should be issued during the initialization of the FDC after power up. The function of the bits in the Configure registers are described below. These bits are set to their default values after a hardware reset. The value of each bit after a software reset is explained. The default value of each bit is denoted by a "bullet" to the left of each item.

EIS: Enable Implied Seeks. Default after a software reset.

- **0** = Implied seeks disabled through Configure command. Implied seeks can still be enabled through the Mode command when EIS = 0. (default)
- 1** = Implied seeks enabled for a read, write, scan, or verify operation. A seek and sense interrupt operation will be performed prior to the execution of the read, write, scan, or verify operation. The IPS bit does not need to be set.

4.0 FDC Command Set Description (Continued)

FIFO: Enable FIFO for Execution Phase data transfers. Default after a software reset if the LOCK bit is 0. If the LOCK bit is 1, then the FIFO bit will retain its previous value after a software reset.

0 = FIFO enabled for both reads and writes.

• **1** = FIFO disabled. (default)

POLL: Disable for Drive Polling Mode. Default after a software reset.

• **0** = Enable polling mode. An interrupt is generated after a reset. (default)

1 = Disable drive polling mode. If the Configure command is issued within 500 μ s of a hardware or software reset, then an interrupt will not be generated. In addition, the four Sense Interrupt commands to clear the "Ready Changed State" of the four logical drives will not be required.

THRESH: The FIFO threshold in the Execution Phase of read and write data transfers. Programmable from 00 to 0F hex. Defaults to 00 after a software reset if the LOCK bit is 0. If the LOCK bit is 1, then THRESH will retain its value. A high value of THRESH is suited for slow response systems, and a low value of THRESH is better for fast response systems.

PRETRK: Starting track number for write precompensation. Programmable from track 0 ("00") to track 255 ("FF"). Defaults to track 0 ("00") after a software reset if the LOCK bit is 0. If the LOCK bit is 1, then PRETRK will retain its value.

4.2.2 Dumpreg Command

The Dumpreg command is designed to support system runtime diagnostics and application software development and debug. This command has a one byte command phase and a ten byte result phase, which return the values of parameters set in other commands. That is, the PTR (Present Track Register) contains the least significant byte of the track the microcode has stored for each drive. The Step Rate Time, Motor Off and Motor On Times, and the DMA bit are all set in the Specify command.

The sixth byte of the result phase varies depending on what commands have been previously executed.

If a format command has previously been issued, and no reads or writes have been issued since then, this byte will contain the sectors per track value. If a read or write command has been executed more recently than a format command, this byte will contain the end of track value. The LOCK bit is set in the Lock command. The eighth result byte also contains the bits programmed in the Perpendicular Mode command. The last two bytes of the Dumpreg Result Phase are set in the Configure command. After a hardware or software reset, the parameters in the result bytes will be set to their appropriate default values.

Note: Some of these parameters are unaffected by a software reset, depending on the state of the LOCK bit.

4.2.3 Format Track Command

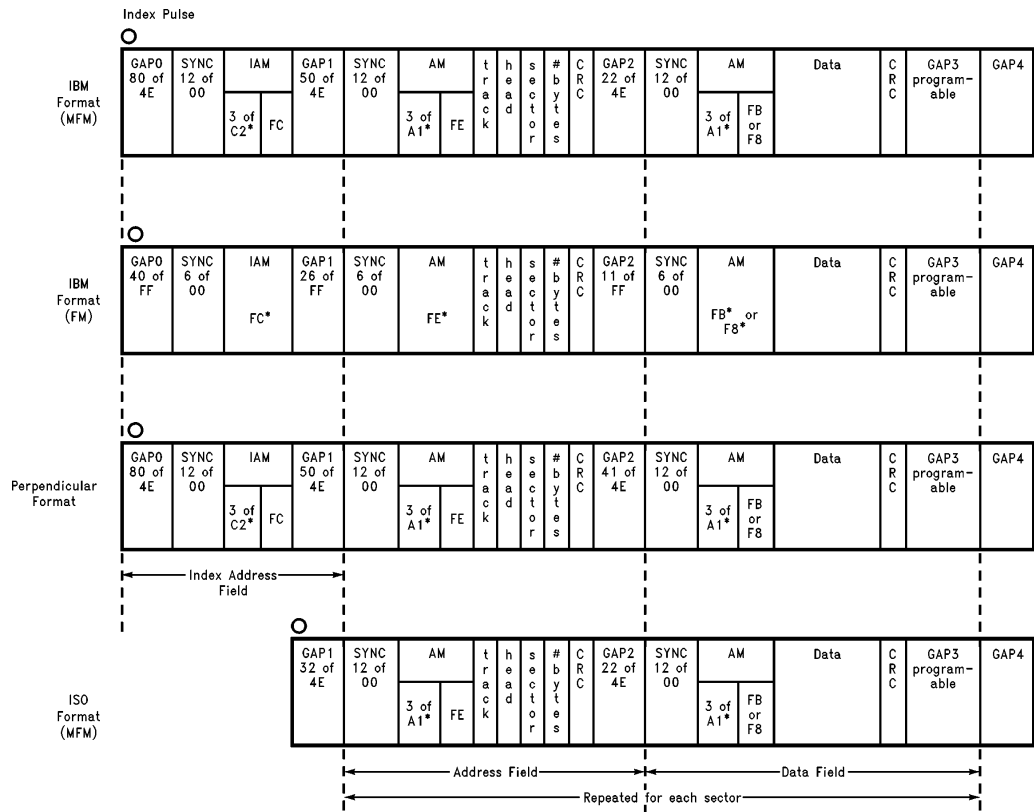
This command will format one track on the disk in IBM, ISO, or Perpendicular Format. After the index hole is detected, data patterns are written on the disk including all gaps, address marks, Address Fields, and Data Fields. The exact format is determined by the following parameters:

1. The MFM bit in the Opcode (first command) byte, which determines the format of the Address Marks and the encoding scheme.
2. The IAF bit in the Mode command, which selects between IBM and ISO format.
3. The WGATE and GAP bits in the Perpendicular Mode command, which select between the conventional and Toshiba Perpendicular format.
4. The Bytes per Sector code, which determines the sector size.
5. The Sector per Track parameter, which determines how many sectors will be formatted on the track.
6. The Data Pattern byte, which is used as the filler byte in the Data Field of each sector.

4.0 FDC Command Set Description (Continued)

To allow for flexible formatting, the μP must supply the four Address Field bytes (track, head, sector, bytes per sector code) for each sector formatted during the Execution Phase. This allows for non-sequential sector interleaving. This transfer of bytes from the μP to the controller can be done in the DMA or Non-DMA mode, with the FIFO enabled or disabled.

The Format command terminates when the index hole is detected a second time, at which point an interrupt is generated. Only the first three status bytes in the Result Phase are significant. The Format Gap byte in the Command Phase is dependent on the data rate and type of disk drive, and will control the length of GAP3. Some typical values for the programmable GAP3 are given in Table 4-1 (next page). *Figure 4-1* shows the track format for the three types of formats supported by the floppy controller.



TL/F/11362-5

Notes:

FE* = Data Pattern of FE, Clock Pattern of C7
 FC* = Data Pattern of FC, Clock Pattern of D7
 FB* = Data Pattern of FB, Clock Pattern of C7
 F8* = Data Pattern of F8, Clock Pattern of C7
 A1* = Data Pattern of A1, Clock Pattern of 0A
 C2* = Data Pattern of C2, Clock Pattern of 14

All byte counts in decimal
 All byte values in hex
 CRC uses standard polynomial $x^{16} + x^{12} + x^5 + 1$
 Perpendicular Format GAP2 = 41 bytes for 1 Mb/s.
 All other data rates use GAP2 = 22 bytes
 FM mode is not guaranteed through functional testing.

FIGURE 4-1. IBM, Perpendicular, and ISO Formats Supported by Format Command

4.0 FDC Command Set Description (Continued)

TABLE 4-1. Typical Format Gap Length Values

Mode	Sector Size	Sector Code	EOT	Sector Gap	Format GAP3
	Decimal	Hex	Hex	Hex	Hex
125 kb/s FM	128	00	12	07	09
	128	00	10	10	19
	256	01	08	18	30
	512	02	04	46	87
	1024	03	02	C8	FF
	2048	04	01	C8	FF
250 kb/s MFM	256	01	12	0A	0C
	256	01	10	20	32
	512	02	08	2A	50
	512	02	09	2A	50
	1024	03	04	80	F0
	2048	04	02	C8	FF
	4096	05	01	C8	FF
250 kb/s FM	128	00	1A	07	1B
	256	01	0F	0E	2A
	512	02	08	1B	3A
	1024	03	04	47	8A
	2048	04	02	C8	FF
	4096	05	01	C8	FF
500 kb/s MFM	256	01	1A	0E	36
	512	02	0F	1B	54
	512	02	12	1B	6C
	1024	03	08	35	74
	2048	04	04	99	FF
	4096	05	02	C8	FF
	8192	06	01	C8	FF

Note: FM mode is not guaranteed through functional testing.

Typical Values for PC Compatible Diskette Media

Media Type	Sector Size	Sector Code	EOT	Sector Gap	Format GAP3
	Decimal	Hex	Hex	Hex	Hex
360k	512	02	09	2A	50
1.2M	512	02	0F	1B	54
720k	512	02	09	1B	50
1.44M	512	02	12	1B	6C
2.88M	512	02	24	1B	53

Note 1: Sector Gap refers to the Intersector Gap Length parameter specified in the Command Phase of the Read, Write, Scan, and Verify commands. Although this is the recommended value, the FDC treats this byte as a don't care in the Read, Write, Scan, and Verify commands.

Note 2: Format Gap is the suggested value to use in the Format Gap parameter of the Format command. This is the programmable GAP3 as shown in Figure 4-1.

Note 3: The 2.88M diskette media is a Barium Ferrite media intended for use in Perpendicular Recording drives at the data rate of up to 1 Mb/s.

4.0 FDC Command Set Description (Continued)

4.2.4 Invalid Command

If an invalid command (Illegal Opcode byte in the Command Phase) is received by the controller, the controller will respond with ST0 in the Result Phase. The controller does not generate an interrupt during this condition. Bits 6 and 7 in the MSR are both set to a 1, indicating to the μ P that the controller is in the Result Phase and the contents of ST0 must be read. The system will read an 80 (hex) value from ST0, indicating an invalid command was received.

4.2.5 Lock Command

The Lock command allows the user full control of the FIFO parameters after a software reset. If the LOCK bit is set to 1, then the FIFO, THRESH, and PRETRK bits in the Configure command are not affected by a software reset. In addition, the FWR, FRD, and BST bits in the Mode command will be unaffected by a software reset. If the LOCK is 0 (default after a hardware reset), then the above bits will be set to their default values after a software reset. This command is useful if the system designer wishes to keep the FIFO enabled and retain the other FIFO parameter values (such as THRESH) after a software reset.

After the command byte is written, the result byte must be read before continuing to the next command. The execution of the Lock command is not performed until the result byte is read by the μ P. If the part is reset after the command byte is written but before the result byte is read, then the Lock command execution will not be performed. This is done to prevent accidental execution of the Lock command.

4.2.6 Mode Command

This command is used to select the special features of the controller. The bits for the Command Phase bytes are shown in Section 4.1, Command Set Summary, and their function is described below. These bits are set to their default values after a hardware reset. The default value of each bit is denoted by a "bullet" to the left of each item. The value of each parameter after a software reset will be explained.

TMR: Motor Timer mode. Default after a software reset.

- 0 = Timers for motor on and motor off are defined for Mode 1. (See Specify command.) (default)
- 1 = Timers for motor on and motor off are defined for Mode 2. (See Specify command.)

IAF: Index Address Format. Default after a software reset.

- 0 = The controller will format tracks with the Index Address Field included. (IBM and Perpendicular format.)
- 1 = The controller will format tracks without including the Index Address Field. (ISO format.)

IPS: Implied Seek. Default after a software reset.

- 0 = The implied seek bit in the command byte of a read, write, scan, or verify is ignored. Implied seeks could still be enabled by the EIS bit in the Configure command.
- 1 = The IPS bit in the command byte of a read, write, scan, or verify is enabled so that if it is set, the controller will perform seek and sense interrupt operations before executing the command.

LOW PWR: Low Power mode. Default after a software reset.

- 00 = Completely disable the low power mode. (default)
- 01 = Automatic low power. Go into low power mode 512 ms after the head unload timer times out. (This assumes a 500 kb/s data rate.) For 250 kb/s the timeout period is doubled to 1 μ s.
- 10 = Manual low power. Go into low power mode now.
- 11 = Not used.

ETR: Extended Track Range. Default after a software reset.

- 0 = Track number is stored as a standard 8-bit value compatible with the IBM, ISO, and Perpendicular formats. This will allow access of up to 256 tracks during a seek operation.
- 1 = Track number is stored as a 12-bit value. The upper four bits of the track value are stored in the upper four bits of the head number in the sector Address Field. This allows access of up to 4096 tracks during a seek operation. With this bit set, an extra byte is required in the Seek Command Phase and Sense Interrupt Result Phase.

FWR: FIFO Write Disable for μ P write transfers to controller. Default after a software reset if LOCK is 0. If LOCK is 1, FWR will retain its value after a software reset.

Note: This bit is only valid if the FIFO is enabled in the Configure command. If the FIFO is not enabled in the Configure command, then this bit is a don't care.

- 0 = Enable FIFO. Execution Phase μ P write transfers use the internal FIFO. (default)
- 1 = Disable FIFO. All write data transfers take place without the FIFO.

FRD: FIFO Read Disable for μ P read transfers from controller. Default after a software reset if LOCK is 0. If LOCK is 1, FRD will retain its value after a software reset.

Note: This bit is only valid if the FIFO is enabled in the Configure command. If the FIFO is not enabled in the Configure command, then this bit is a don't care.

- 0 = Enable FIFO. Execution Phase μ P read transfers use the internal FIFO. (default)
- 1 = Disable FIFO. All read data transfers take place without the FIFO.

BST: Burst Mode Disable. Default after a software reset if LOCK is 0. If LOCK is 1, BST will retain its value after a software reset.

Note: This bit is only valid if the FIFO is enabled in the Configure command. If the FIFO is not enabled in the Configure command, then this bit is a don't care.

- 0 = Burst mode enabled for FIFO Execution Phase data transfers. (default)
- 1 = Non-Burst mode enabled. The DRQ or IRQ6 pin will be strobed once for each byte to be transferred while the FIFO is enabled.

4.0 FDC Command Set Description (Continued)

R255: Recalibrate Step Pulses. The bit will determine the maximum number of recalibrate step pulses the controller will issue before terminating with an error. Default after a software reset.

- **0** = 85 maximum recalibrate step pulses. If ETR = 1, controller will issue 3925 recalibrate step pulses maximum.
- **1** = 255 maximum recalibrate step pulses. If ETR = 1, controller will issue 4095 maximum recalibrate step pulses.

DENSEL: Density Select Pin Configuration. This two bit value will configure the Density Select output to one of three possible modes. The default mode will configure the DENSEL pin according to the state of the IDENT input pin after a data rate has been selected. That is, if IDENT is high, the DENSEL pin is active high for the 500 kbs/1 Mbs data rates. If IDENT is low, the DENSEL pin is active low for the 500 kbs/1 Mbs data rates. In addition to these modes, the DENSEL output can be set to always low or always high, as shown in Table 4-2. This will allow the user more flexibility with new drive types.

TABLE 4-2. DENSEL Encoding

Bit 1	Bit 0	DENSEL Pin Definition
0	0	Pin Low
0	1	Pin High
1	0	Undefined
1	1	DEFAULT

TABLE 4-3. DENSEL Default Encoding

Data Rate	DENSEL (default)	
	IDENT = 1	IDENT = 0
250 kb/s	Low	High
300 kb/s	Low	High
500 kb/s	High	Low
1 Mb/s	High	Low

BFR: CMOS Disk Interface Buffer Enable.

- **0** = Drive output signals configured as standard 4 mA push-pull outputs (actually 40 mA sink, 4 mA source). (default)
- **1** = Drive output signals configured as 40 mA open-drain outputs.

WLD: Scan Wild Card.

- **0** = An FF (hex) from either the μ P or the disk during a Scan command is interpreted as a wildcard character that will always match true. (default)
- **1** = The Scan commands do not recognize FF (hex) as a wildcard character.

Head Settle: Time allowed for read/write head to settle after a seek during an Implied Seek operation. This is controlled as shown in table in next column, by loading a 4-bit value for N (the default value for N is 8).

Data Rate kbits/s	Multiplier 4 Bits	Head Settle Time (ms)
250	$N \times 8$	0–120
300	$N \times 6.666$	0–100
500	$N \times 4$	0–60
1000	$N \times 2$	0–30

RG: Read Gate Diagnostic.

- **0** = Enable DSKCHG disk interface input for normal operation. (default)
- **1** = Enable DSKCHG to act as an external Read Gate input signal to the Data Separator. This is intended as a test mode to aid in evaluation of the Data Separator.

PU: PUMP Pulse Output Diagnostic.

- **0** = Enable MFM output pin for normal operation. (default)
- **1** = Enable the MFM output to act as the active low output of the Data Separator charge pump. This signal consists of a series of pulses indicating when the phase comparator is making a phase correction. This Pump output will be active low for a pump up or pump down signal from the phase comparator, and is intended as a test mode to aid in the evaluation of the Data Separator.

4.2.7 NSC Command

The NSC command can be used to distinguish between the FDC versions and the 82077. The Result Phase byte uniquely identifies the floppy controller as a PC87311A/12, which returns a value of 72h. The 82077 and DP8473 return a value of 80h, signifying an invalid command. The lower four bits of this result byte are subject to change by NSC, and will reflect the particular version of the floppy disk controller part.

4.2.8 Perpendicular Mode Command

The Perpendicular Mode command is designed to support the unique Format and Write Data requirements of Perpendicular (Vertical) Recording disk drives (4 Mbytes unformatted capacity). The Perpendicular Mode command will configure each of the four logical drives as a perpendicular or conventional disk drive. Configuration of the four logical disk drives is done via the D3–D0 bits, or with the GAP and WG control bits. This command should be issued during the initialization of the floppy controller.

Perpendicular Recording drives operate in “Extra High Density” mode at 1 Mb/s, and are downward compatible with 1.44 Mbyte and 720 kbyte drives at 500 kb/s (High Density) and 250 kb/s (Double Density) respectively. If perpendicular drives are present in the system, this command should be issued during initialization of the floppy controller, which will configure each drive as perpendicular or conventional. Then, when a drive is accessed for a Format or Write Data command, the floppy controller will adjust the Format or Write Data parameters based on the data rate (see Table 4-4).

4.0 FDC Command Set Description (Continued)

Looking at the second command byte, DC3–DC0 correspond to the four logical drives. A 0 written to DCn sets drive n to conventional mode, and a 1 sets drive n to perpendicular mode. Also, the OW (Overwrite) bit offers additional control. When OW = 1, changing the values of DC3–DC0 (drive configuration bits) is enabled. When OW = 0, the internal values of DC3–DC0 are unaffected, regardless of what is written to DC3–DC0.

The function of the DCn bits must also be qualified by setting both WG and GAP to 0. If WG and GAP are used (i.e., not set to 00), they will override whatever is programmed in the DCn bits. Table 4-4a below indicates the operation of the FDC based on the values of GAP and WG. Note that when GAP and WG are both 0, the DCn bits are used to configure each logical drive as conventional or perpendicular. DC3–DC0 are unaffected by a software reset, but WG and GAP are both cleared to 0 after a software reset. A hardware reset will reset all the bits to zero (conventional mode for all drives). The Perpendicular Mode command bits may be rewritten at any time.

Note: When in the Perpendicular Mode for any drive at any data rate selected by the DC0–3 bits, write precompensation is set to zero.

Perpendicular Recording type disk drives have a Pre-Erase Head which leads the Read/Write Head by 200 μm , which translates to 38 bytes at the 1 Mb/s data transfer rate (19 bytes at 500 kb/s). The increased spacing between the two heads requires a larger GAP2 between the Address Field and Data Field of a sector at 1 Mb/s. (See Perpendicular Format in Table 4-1.) This GAP2 length of 41 bytes (at 1 Mb/s) will ensure that the Preamble in the Data Field is completely “pre-erased” by the Pre-Erase Head. Also, during Write Data operations to a perpendicular drive, a portion of GAP2 must be rewritten by the controller to guarantee that the Data Field Preamble has been pre-erased (see Table 4-4).

4.2.9 Read Data Command

The Read Data command reads logical sectors containing a Normal Data AM from the selected drive and makes the data available to the host μP . After the last Command Phase byte is written, the controller will simulate the Motor On time for the selected drive internally. The user must turn on the drive motor directly by enabling the appropriate drive and motor select disk interface outputs with the Digital Output Register (DOR).

If Implied Seekes are enabled, the controller will perform a Seek operation to the track number specified in the Command Phase. The controller will also issue a Sense Interrupt for the seek and wait the Head Settle time specified in the Mode command.

The correct ID information (track, head, sector, bytes per sector) for the desired sector must be specified in the command bytes. See Table 4-5 Sector Size Selection for details on the bytes per sector code. In addition, the End of Track Sector Number (EOT) should be specified, allowing the controller to read multiple sectors. The Data Length byte is a don't care and should be set to FF (hex).

TABLE 4-5. Sector Size Selection

Bytes per Sector Code	Number of Bytes in Data Field
0	128
1	256
2	512
3	1024
4	2048
5	4096
6	8192
7	16384

TABLE 4-4. Effect of Drive Mode and Data Rate on Format and Write Commands

Data Rate	Drive Mode	GAP2 Length Written during Format	Portion of GAP2 Re-Written by Write Data Command
250/300/500 kb/s	Conventional	22 Bytes	0 Bytes
	Perpendicular	22 Bytes	19 Bytes
1 Mb/s	Conventional	22 Bytes	0 Bytes
	Perpendicular	41 Bytes	38 Bytes

TABLE 4-4a. Effect of GAP and WG on Format and Write Commands

GAP	WG	Mode Description	GAP2 Length Written during Format	Portion of GAP2 Re-Written by Write Data Command
0	0	Conventional	22 Bytes	0 Bytes
0	1	Perpendicular (≤ 500 kb/s)	22 Bytes	19 Bytes
1	0	Reserved (Conventional)	22 Bytes	0 Bytes
1	1	Perpendicular (1 Mb/s)	41 Bytes	38 Bytes

4.0 FDC Command Set Description (Continued)

The controller then starts the Data Separator and waits for the Data Separator to find the next sector Address Field. The controller compares the Address Field ID information (track, head, sector, bytes per sector) with the desired ID specified in the Command Phase. If the sector ID bytes do not match, then the controller waits for the Data Separator to find the next sector Address Field. The ID comparison process repeats until the Data Separator finds a sector Address Field ID that matches it in the command bytes, or until an error occurs. Possible errors are:

1. The μ P aborted the command by writing to the FIFO. If there is no disk in the drive, the controller will hang up. The μ P must then take the controller out of this hung state by writing a byte to the FIFO. This will put the controller into the Result Phase.
2. Two index pulses were detected since the search began, and no valid ID has been found. If the track address ID differs, the WT bit or BT bit (if the track address is FF hex) will be set in ST2. If the head, sector, or bytes per sector code did not match, the ND bit is set in ST1. If the Address Field AM was never found, the MA bit is set in ST1.
3. The Address Field was found with a CRC error. The CE bit is set in ST1.

Once the desired sector Address Field is found, the controller waits for the Data Separator to find the subsequent Data Field for that sector. If the Data Field (normal or deleted) is not found within the expected time, the controller terminates the operation and enters the Result Phase (MD is set in ST2). If a Deleted Data Mark is found and SK was set in the Opcode command byte, the controller skips this sector and searches for the next sector Address Field as described above. The effect of SK on the Read Data command is summarized in Table 4-6.

Having found the Data Field, the controller then transfers data bytes from the disk drive to the host (described in Section 5.3 Controller Phases) until the bytes per sector count has been reached, or the host terminates the operation (through TC, end of track, or implicitly through overrun). The controller will then generate the CRC for the sector and compares this value with the CRC at the end of the Data Field.

Having finished reading the sector, the controller will continue reading the next logical sector unless one or more of the following termination conditions occurred:

1. The DMA controller asserted TC. The IC bits in ST0 are set to Normal Termination.
2. The last sector address (of side 1 if MT was set) was equal to EOT. The EOT bit in ST1 is set. The IC bits in ST0 are set to Abnormal Termination. This is the expected condition during Non-DMA transfers.
3. Overrun error. The OR bit in ST1 is set. The IC bits in ST0 are set to Abnormal Termination. If the μ P cannot service a transfer request in time, the last correctly read byte will be transferred.
4. CRC error. The CE bit in ST1 and CD bit in ST2 are set. The IC bits in ST0 are set to Abnormal Termination.

If MT was set in the Opcode command byte, and the last sector of side 0 has been transferred, the controller will then continue with side 1.

Upon terminating the Execution Phase of the Read Data command, the controller will assert IRQ6, indicating the beginning of the Result Phase. The μ P must then read the result bytes from the FIFO. The values that will be read back in the result bytes are shown in Table 4-7. If an error occurs, the result bytes will indicate the sector read when the error occurred.

TABLE 4-6. SK Effect on Read Data Command

SK	Data Type	Sector Read ?	CM Bit (ST2)	Description of Results
0	Normal	Y	0	Normal Termination
0	Deleted	Y	1	No Further Sectors Read
1	Normal	Y	0	Normal Termination
1	Deleted	N	1	Sector Skipped

TABLE 4-7. Result Phase Termination Values with No Error

MT	HD	Last Sector	ID Information at Result Phase			
			Track	Head	Sector	Bytes/Sector
0	0	< EOT	NC	NC	S + 1	NC
0	0	= EOT	T + 1	NC	1	NC
0	1	< EOT	NC	NC	S + 1	NC
0	1	= EOT	T + 1	NC	1	NC
1	0	< EOT	NC	NC	S + 1	NC
1	0	= EOT	NC	1	1	NC
1	1	< EOT	NC	NC	S + 1	NC
1	1	= EOT	T + 1	0	1	NC

EOT = End of Track Sector Number from Command Phase
NC = No Change in Value

S = Sector Number last operated on by controller
T = Track Number programmed in Command Phase

4.0 FDC Command Set Description (Continued)

4.2.10 Read Deleted Data Command

The Read Deleted Data command reads logical sectors containing a Deleted Data AM from the selected drive and makes the data available to the host μ P. This command is identical to the Read Data command, except for the setting of the CM bit in ST2 and the skipping of sectors. The effect of SK on the Read Deleted Data command is summarized in Table 4-8. See Table 4-7 for the state of the result bytes for a Normal Termination of the command.

4.2.11 Read ID Command

The Read ID command finds the next available Address Field and returns the ID bytes (track, head, sector, bytes per sector) to the μ P in the Result Phase. There is no data transfer during the Execution Phase of this command. An interrupt will be generated when the Execution Phase is completed.

The controller first simulates the Motor On time for the selected drive internally. The user must turn on the drive motor directly by enabling the appropriate drive and motor select disk interface outputs with the Digital Output Register (DOR). The Read ID command does not perform an implied seek.

After waiting the Motor On time, the controller starts the Data Separator and waits for the Data Separator to find the next sector Address Field. If an error condition occurs, the IC bits in ST0 are set to Abnormal Termination, and the controller enters the Result Phase. Possible errors are:

1. The μ P aborted the command by writing to the FIFO. If there is no disk in the drive, the controller will hang up. The μ P must then take the controller out of this hung state by writing a byte to the FIFO. This will put the controller into the Result Phase.
2. Two index pulses were detected since the search began, and no AM has been found. If the Address Field AM was never found, the MA bit is set in ST1.

4.2.12 Read A Track Command

The Read A Track command reads sectors in physical order from the selected drive and makes the data available to the host. This command is similar to the Read Data command except for the following differences:

1. The controller waits for the index pulse before searching for a sector Address Field. If the μ P writes to the FIFO before the index pulse, the command will enter the Result Phase with the IC bits in ST0 set to Abnormal Termination.
2. A comparison of the sector Address Field ID bytes will be performed, except for the sector number. The internal sector address is set to 1, and then incremented for each successive sector read.

3. If the Address Field ID comparison fails, the controller sets ND in ST1, but continues to read the sector. If there is a CRC error in the Address Field, the controller sets CE in ST1, but continues to read the sector.
4. Multi-track and Skip operations are not allowed. SK and MT should be set to 0.
5. If there is a CRC error in the Data Field, the controller sets CE in ST1 and CD in ST2, but continues reading sectors.
6. The controller reads a maximum of EOT physical sectors. There is no support for multi-track reads.

4.2.13 Recalibrate Command

The Recalibrate command is very similar to the Seek command. The controller sets the Present Track Register (PTR) of the selected drive to zero. It then steps the head of the selected drive out until the TRK0 disk interface input signal goes active, or until the maximum number of step pulses have been issued. See Table 4-9 for the maximum recalibrate step pulse values based on the R255 and ETR bits in the Mode command. If the number of tracks on the disk drive exceeds the maximum number of recalibrate step pulses, another Recalibrate command may need to be issued.

TABLE 4-9. Maximum Recalibrate Step Pulses Based on R255 and ETR

R255	ETR	Maximum Recalibrate Step Pulses
0	0	85 (default)
1	0	255
0	1	3925
1	1	4095

After the last command byte is issued, the DRx BUSY bit is set in the MSR for the selected drive. The controller will simulate the Motor On time, and then enter the Idle Phase. The execution of the actual step pulses occurs while the controller is in the Drive Polling Phase. An interrupt will be generated after the TRK0 signal is asserted, or after the maximum number of recalibrate step pulses are issued. There is no Result Phase. Recalibrates on more than one drive at a time should not be issued for the same reason as explained in the Seek command. No other command except the Sense Interrupt command should be issued while a Recalibrate command is in progress.

4.2.14 Relative Seek Command

The Relative Seek command steps the selected drive in or out a given number of steps. This command will step the read/write head an incremental number of tracks, as op-

TABLE 4-8. SK Effect on Read Deleted Data Command

SK	Data Type	Sector Read ?	CM Bit (ST2)	Description of Results
0	Normal	Y	1	No Further Sectors Read
0	Deleted	Y	0	Normal Termination
1	Normal	N	1	Sector Skipped
1	Deleted	Y	0	Normal Termination

4.0 FDC Command Set Description (Continued)

posed to comparing against the internal present track register for that drive. The Relative Seek parameters are defined as follows:

DIR: Read/Write Head Step Direction Control

0 = Step Head Out

1 = Step Head In

RTN: Relative Track Number. This value will determine how many incremental tracks to step the head in or out from the current track number.

The controller will issue RTN number of step pulses and update the Present Track Register for the selected drive. The one exception to this is if the TRK0 disk input goes active, which indicates that the drive read/write head is at the outermost track. In this case, the step pulses for the Relative Seek are terminated, and the PTR value is set according to the actual number of step pulses issued. The arithmetic is done modulo 255. The DRx BUSY bit in the MSR is set for the selected drive. The controller will simulate the Motor On time before issuing the step pulses. After the Motor On time, the controller will enter the Idle Phase. The execution of the actual step pulses occurs in the Idle Phase of the controller.

After the step operation is complete, the controller will generate an interrupt. There is no Result Phase. Relative Seeks on more than one drive at a time should not be issued for the same reason as explained in the Seek command. No other command except the Sense Interrupt command should be issued while a Relative Seek command is in progress.

4.2.15 Scan Commands

The Scan command allows data read from the disk to be compared against data sent from the μ P. There are three Scan commands to choose from:

Scan Equal Disk Data = μ P Data

Scan Low or Equal Disk Data \leq μ P Data

Scan High or Equal Disk Data \geq μ P Data

Each sector is interpreted with the most significant bytes first. If the Wildcard mode is enabled in the Mode command, an FF (hex) from either the disk or the μ P is used as a don't care byte that will always match equal. After each sector is read, if the desired condition has not been met, the next sector is read. The next sector is defined as the current sector number plus the Sector Step Size specified. The Scan command will continue until the scan condition has been met, or the EOT has been reached, or if TC is asserted.

Read errors on the disk will have the same error conditions as the Read Data command. If the SK bit is set, sectors with deleted data marks are ignored. If all sectors read are skipped, the command will terminate with D3 of ST2 set (Scan Equal Hit). The Result Phase of the command is shown in Table 4-10.

TABLE 4-10. Scan Command Termination Values

Command	Status Register 2		Conditions
	D2	D3	
Scan Equal	0	1	Disk = μ P
	1	0	Disk \neq μ P
Scan Low or Equal	0	1	Disk = μ P
	0	0	Disk < μ P
	1	0	Disk > μ P
Scan High or Equal	0	1	Disk = μ P
	0	0	Disk > μ P
	1	0	Disk < μ P

4.2.16 Seek Command

The Seek command issues step pulses to the selected drive in or out until the desired track number is reached. During the Execution Phase of the Seek command, the track number to seek to is compared with the present track number. The controller will determine how many step pulses to issue and the DIR disk interface output will indicate which direction the R/W head should move. The DRx BUSY bit is set in the MSR for the appropriate drive. The controller will wait the Motor On time before issuing the first step pulse.

After the Motor On time, the controller will enter the Idle Phase. The execution of the actual step pulses occurs in the Drive Polling phase of the controller. The step pulse rate is determined by the value programmed in the Specify command. An interrupt will be generated one step pulse period after the last step pulse is issued. There is no Result Phase. A Sense Interrupt command should be issued to determine the cause of the interrupt.

While the internal microengine is capable of multiple seek on 2 or more drives at the same time, software should ensure that only one drive is seeking or recalibrating at a time. This is because the drives are actually selected via the DOR, which can only select one drive at a time. No other command except a Sense Interrupt command should be issued while a Seek command is in progress.

If the extended track range mode is enabled with the ETR bit in the Mode command, a fourth command byte should be written in the Command Phase to indicate the four most significant bits of the desired track number. Otherwise, only three command bytes should be written.

4.2.17 Sense Drive Status Command

The Sense Drive Status command returns the status of the selected disk drive in ST3. This command does not generate an interrupt.

4.2.18 Sense Interrupt Command

The Sense Interrupt command is used to determine the cause of interrupt when the interrupt is a result of the

4.0 FDC Command Set Description (Continued)

change in status of any disk drive. Four possible causes of the interrupt are:

1. Upon entering the Result Phase of:
 - a. Read Data command
 - b. Read Deleted Data command
 - c. Read a Track command
 - d. Read ID command
 - e. Write Data command
 - f. Write Deleted Data command
 - g. Format command
 - h. Scan command
 - i. Verify command
2. During data transfers in the Execution Phase while in the Non-DMA mode.
3. Ready Changed State during the polling mode for an internally selected drive. (Occurs only after a hardware or software reset.)
4. Seek, Relative Seek, or Recalibrate termination.

An interrupt due to reasons 1 and 2 does not require the Sense Interrupt command and is cleared automatically. This interrupt occurs during normal command operations and is easily discernible by the μ P via the MSR. This interrupt is cleared reading or writing information from/to the Data Register (FIFO).

Interrupts caused by reasons 3 and 4 are identified with the aid of the Sense Interrupt command. The interrupt is cleared after the first result byte has been read. Use bits 5, 6, and 7 of ST0 to identify the cause of the interrupt as shown in Table 4-11.

TABLE 4-11. Status Register 0 Termination Codes

Status Register 0			Cause
Interrupt Code	Seek End		
D7	D6	D5	
1	1	0	Internal Ready Went True
0	0	1	Normal Seek Termination
0	1	1	Abnormal Seek Termination

Issuing a Sense Interrupt command without an interrupt pending is treated as an invalid command. If the extended track range mode is enabled, a third byte should be read in the Result Phase, which will indicate the four most significant bits of the present track number. Otherwise, only two result bytes should be read.

4.2.19 Set Track Command

This command is used to inspect or change the value of the internal Present Track Register. This could be useful for recovery from disk mis-tracking errors, where the real current track could be read through the Read ID command, and then the Set Track command could be used to set the internal Present Track Register to the correct value.

If the WNR bit is a 0, a track register is to be read. In this case, the Result Phase byte contains the value in the internal register specified, and the third byte in the Command Phase is a dummy byte.

If the WNR bit is a 1, data is written to a track register. In this case the third byte of the Command Phase is written to the specified internal track register, and the Result Phase byte contains this new value.

The DS1 and DS0 bits select the Present Track Register for the particular drive. The internal register address depends on MSB, DS1, and DS0 as shown in Table 4-12. This command does not generate an interrupt.

TABLE 4-12. Set Track Register Address

DS1	DS0	MSB	Register Addressed
0	0	0	PTR0 (LSB)
0	0	1	PTR0 (MSB)
0	1	0	PTR1 (LSB)
0	1	1	PTR1 (MSB)
1	0	0	PTR2 (LSB)
1	0	1	PTR2 (MSB)
1	1	0	PTR3 (LSB)
1	1	1	PTR3 (MSB)

4.2.20 Specify Command

The Specify command sets the initial values for three internal timers. The function of these Specify parameters is described below. The parameters of this command are undefined after power up, and are unaffected by any reset. Thus, software should always issue a Specify command as part of an initialization routine. This command does not generate an interrupt.

The Motor Off and Motor On timers are artifacts of the μ PD765. These timers determine the delay from selecting a drive motor until a read or write operation is started, and the delay of deselection of the drive motor after the command is completed. Since the FDC enables the drive and motor select line directly through the DOR, these timers only provide some delay from the initiation of a command until it is actually started.

Step Rate Time: These four bits define the time interval between successive step pulses during a seek, implied seek, recalibrate, or relative seek. The programming of this step rate is shown in Table 4-13.

TABLE 4-13. Step Rate Time (SRT) Values

Data Rate	Value	Range	Units
1 Mb/s	$(16 - \text{SRT})/2$	0.5–8	ms
500 kb/s	$(16 - \text{SRT})$	1–16	ms
300 kb/s	$(16 - \text{SRT}) \times 1.67$	1.67–26.7	ms
250 kb/s	$(16 - \text{SRT}) \times 2$	2–32	ms

Motor Off Time: These four bits determine the simulated Motor Off time as shown in Table 4-14.

Motor On Time: These seven bits determine the simulated Motor On time as shown in Table 4-15.

4.0 FDC Command Set Description (Continued)

TABLE 4-14. Motor Off Time (MFT) Values

Data Rate	Mode 1 (TMR = 0)		Mode 2 (TMR = 1)		Units
	Value	Range	Value	Range	
1 Mb/s	MFT × 8	8–128	MFT × 512	512–8192	ms
500 kb/s	MFT × 16	16–256	MFT × 512	512–8192	ms
300 kb/s	MFT × 80/3	26.7–427	MFT × 2560/3	853–13653	ms
250 kb/s	MFT × 32	32–512	MFT × 1024	1024–16384	ms

Note: Motor Off Time = 0 is treated as MFT = 16.

TABLE 4-15. Motor On Time (MNT) Values

Data Rate	Mode 1 (TMR = 0)		Mode 2 (TMR = 1)		Units
	Value	Range	Value	Range	
1 Mb/s	MNT	1–128	MNT × 32	32–4096	ms
500 kb/s	MNT	1–128	MNT × 32	32–4096	ms
300 kb/s	MNT × 10/3	3.3–427	MNT × 160/3	53–6827	ms
250 kb/s	MNT × 4	4–512	MNT × 64	64–8192	ms

Note: Motor On Time = 0 is treated as MNT = 128.

DMA: This bit selects the data transfer mode in the Execution Phase of a read, write, or scan operation.

0 = DMA mode is selected.

1 = Non-DMA mode is selected.

4.2.21 Verify Command

The Verify command reads logical sectors containing a Normal Data AM from the selected drive without transferring the data to the host. This command is identical to the Read Data command, except that no data is transferred during the Execution Phase.

The Verify command is designed for post-format or post-write verification. Data is read from the disk, as the controller checks for valid Address Marks in the Address and Data Fields. The CRC is computed and checked against the previously stored value on the disk. The EOT value should be set to the final sector to be checked on each side. If EOT is greater than the number of sectors per side, the command will terminate with an error and no useful Address Mark or CRC data will be given.

The TC pin cannot be used to terminate this command since no data is transferred. The command can simulate a TC by setting the EC bit to a 1. In this case, the command will terminate when SC (Sector Count) sectors have been read. (If SC = 0 then 256 sectors will be verified.) If EC = 0, then the command will terminate when EOT is equal to the last sector to be checked. In this case, the Data Length parameter should be set to FF hex. Refer to Table 4-7 for the Result Phase values for a successful completion of the command. Also see Table 4-16 for further explanation of the result bytes with respect to the MT and EC bits.

4.2.22 Version Command

The Version command can be used to determine the floppy controller being used. The Result Phase uniquely identifies the floppy controller version. The FDC returns a value of 90 hex in order to be compatible with the 82077. The DP8473 and other NEC765 compatible controllers will return a value of 80 hex (invalid command).

4.2.23 Write Data Command

The Write Data command receives data from the host and writes logical sectors containing a Normal Data AM to the selected drive. The operation of this command is similar to the Read Data command except that the data is transferred from the μ P to the controller instead of the other way around.

The controller will simulate the Motor On time before starting the operation. If implied seeks are enabled, the seek and sense interrupt functions are then performed. The controller then starts the Data Separator and waits for the Data Separator to find the next sector Address Field. The controller compares the Address ID (track, head, sector, bytes per sector) with the desired ID specified in the Command Phase. If there is no match, the controller waits to find the next sector Address Field. This process continues until the desired sector is found. If an error condition occurs, the IC bits in ST0 are set to Abnormal Termination, and the controller enters the Result Phase. Possible errors are:

1. The μ P aborted the command by writing to the FIFO. If there is no disk in the drive, the controller will hang up. The μ P must then take the controller out of this hung state by writing a byte to the FIFO. This will put the controller into the Result Phase.
2. Two index pulses were detected since the search began, and no valid ID has been found. If the track address ID differs, the WT bit or BT bit (if the track address is FF hex) will be set in ST2. If the head, sector, or bytes per sector code did not match, the ND bit is set in ST1. If the Address Field AM was never found, the MA bit is set in ST1.
3. The Address Field was found with a CRC error. The CE bit is set in ST1.
4. If the controller detects the Write Protect disk interface input is asserted, bit 1 of ST1 is set.

If the correct Address Field is found, the controller waits for all (conventional mode) or part (perpendicular mode) of GAP2 to pass. The controller will then write the preamble field, address marks, and data bytes to the Data Field. The data bytes are transferred to the controller by the μ P.

4.0 FDC Command Set Description (Continued)

TABLE 4-16. Verify Command Result Phase Table

MT	EC	SC/EOT Value	Termination Result
0	0	DTL used (should be FF hex) EOT ≤ # Sectors per Side	No Errors
0	0	DTL used (should be FF hex) EOT > # Sectors per Side	Abnormal Termination
0	1	SC ≤ # Sectors per Side AND SC ≤ EOT	No Errors
0	1	SC > # Sectors Remaining OR SC > EOT	Abnormal Termination
1	0	DTL used (should be FF hex) EOT ≤ # Sectors per Side	No Errors
1	0	DTL used (should be FF hex) EOT > # Sectors per Side	Abnormal Termination
1	1	SC ≤ # Sectors per Side AND SC ≤ EOT	No Errors
1	1	SC ≤ (EOT × 2) AND EOT ≤ # Sectors per Side	No Errors
1	1	SC > (EOT × 2)	Abnormal Termination

Note 1: # Sectors per Side = number of formatted sectors per each side of the disk.

Note 2: # Sectors Remaining = number of formatted sectors left which can be read, which includes side 1 of the disk if the MT bit is set to 1.

Note 3: If MT = 1 and the SC value is greater than the number of remaining formatted sectors on side 0, verifying will continue on side 1 of the disk.

Having finished writing the sector, the controller will continue reading the next logical sector unless one or more of the following termination conditions occurred:

1. The DMA controller asserted TC. The IC bits in ST0 are set to Normal Termination.
2. The last sector address (of side 1 if MT was set) was equal to EOT. The EOT bit in ST1 is set. The IC bits in ST0 are set to Abnormal Termination. This is the expected condition during Non-DMA transfers.
3. Underrun error. The OR bit in ST1 is set. The IC bits in ST0 are set to Abnormal Termination. If the μ P cannot service a transfer request in time, the last correctly written byte will be written to the disk.

If MT was set in the Opcode command byte, and the last sector of side 0 has been transferred, the controller will then continue with side 1.

4.2.24 Write Deleted Data

The Write Deleted Data command receives data from the host and writes logical sectors containing a Deleted Data AM to the selected drive. This command is identical to the Write Data command except that a Deleted Data AM is written to the Data Field instead of a Normal Data AM.

5.0 FDC Functional Description

The PC87311A/12 is software compatible with the DP8473 and 82077 floppy disk controllers. Upon a power on reset, the 16-byte FIFO will be disabled. Also, the disk interface outputs will be configured as active push-pull outputs, which are compatible with both CMOS inputs and open-collector resistor terminated disk drive inputs. The FIFO can be enabled with the Configure command. The FIFO can be very useful at the higher data rates, with systems that have a large amount of DMA bus latency, or with multi-tasking systems such as the EISA or MCA bus structures.

The FDC will support all the DP8473 Mode command features as well as some additional features. These include control over the enabling of the FIFO for reads and writes, a Non-Burst mode for the FIFO, a bit that will configure the disk interface outputs as open-drain outputs, and programmability of the DENSEL output.

5.1 MICROPROCESSOR INTERFACE

The FDC interface to the microprocessor consists of the A9-A3, AEN, \overline{RD} , and \overline{WR} lines, which access the chip for reads and writes; the data lines D7-D0; the address lines A2-A0, which select the appropriate register (see Table 3-1); the IRQ6 signal, and the DMA interface signals

5.0 FDC Functional Description (Continued)

DRQ, $\overline{\text{DACK}}$, and TC. It is through this microprocessor interface that the floppy controller receives commands, transfers data, and returns status information.

5.2 MODES OF OPERATION

The FDC has three modes of operation: PC-AT mode, PS/2 mode, and Model 30 mode, which are determined by the state of the IDENT pin and MFM pin. IDENT can be tied directly to V_{DD} or GND. The MFM pin must be tied high or low with a 10 k Ω resistor (there is an internal 40 k Ω –50 k Ω resistor on the MFM pin). The state of these pins is interrogated by the controller during a chip reset to determine the mode of operation. See Section 3.0 Register Description for more details on the register set used for each mode of operation. After chip reset, the state of IDENT can be changed to change the polarity of DENSEL (see Section 2.0 Pin Description).

PC-AT Mode—(IDENT tied high, MFM is a don't care): The PC-AT register set is enabled. The DMA enable bit in the Digital Output Register becomes valid (IRQ6 and DRQ can be TRI-STATE). TC and DENSEL become active high signals (defaults to a 5.25" floppy drive).

PS/2 Mode—(IDENT tied low, MFM pulled high internally): This mode supports the PS/2 Models 50/60/80 configuration and register set. The DMA enable bit in the Digital Output Register becomes a don't care (IRQ6 and DRQ signals will always be valid). TC and DENSEL become active low signals (default to 3.5" floppy drive).

Model 30 Mode—(IDENT tied low, MFM pulled low externally): This mode supports the PS/2 Model 30 configuration and register set. The DMA enable bit in the Digital Output Register becomes valid (IRQ6 and DRQ can be TRI-STATE). TC is active high and DENSEL becomes active low (default to 3.5" floppy drive).

5.3 CONTROLLER PHASES

The FDC has three separate phases of a command, the Command Phase, the Execution Phase, and the Result Phase. Each of these controller phases will determine how data is transferred between the floppy controller and the host microprocessor. In addition, when no command is in progress, the controller is in the Idle Phase or Drive Polling Phase.

5.3.1 Command Phase

During the Command Phase, the μP writes a series of bytes to the Data Register. The first command byte contains the opcode for the command, and the controller will know how many more bytes to expect based on this opcode byte. The remaining command bytes contain the particular parameters required for the command. The number of command bytes will vary for each particular command. All the command bytes must be written in the order specified in the Command Description Table. The Execution Phase starts immediately after the last byte in the Command Phase is written. Prior to performing the Command Phase, the Digital Output Register should be set and the data rate should be set with the Data Rate Select Register or Configuration Control Register.

The Main Status Register controls the flow of command bytes, and must be polled by the software before writing each Command Phase byte to the Data Register. Prior to writing a command byte, the RQM bit (D7) must be set and the DIO bit (D6) must be cleared in the MSR. After the first

command byte is written to the Data Register, the CMD PROG bit (D4) will also be set and will remain set until the last Result Phase byte is read. If there is no Result Phase, the CMD PROG bit will be cleared after the last command byte is written.

A new command may be initiated after reading all the result bytes from the previous command. If the next command requires selecting a different drive or changing the data rate, the DOR and DSR or CCR should be updated. If the command is the last command, then the software should deselect the drive.

Note: As a general rule, the operation of the controller core is independent of how the μP updates the DOR, DSR, and CCR. The software must ensure that the manipulation of these registers is coordinated with the controller operation.

5.3.2 Execution Phase

During the Execution Phase, the disk controller performs the desired command. Commands that involve data transfers, such as read, write, or format operation, will require the μP to write or read data to or from the Data Register at this time. Some commands such as a Seek or Recalibrate will control the read/write head movement on the disk drive during the Execution Phase via the disk interface signals. The execution of other commands does not involve any action by the μP or disk drive, and consists of an internal operation by the controller.

If there is data to be transferred between the μP and the controller during the Execution, there are three methods that can be used, DMA mode, interrupt transfer mode, and software polling mode. The last two modes are called the Non-DMA modes. The DMA mode is used if the system has a DMA controller. This allows the μP to do other tasks while the data transfer takes place during the Execution Phase. If the Non-DMA mode is used, an interrupt is issued for each byte transferred during the Execution Phase. Also, instead of using the interrupt during Non-DMA mode, the Main Status Register can be polled by software to indicate when a byte transfer is required. All of these data transfer modes will work with the FIFO enabled or disabled.

5.3.2.1 DMA Mode—FIFO Disabled

The DMA mode is selected by writing a 0 to the DMA bit in the Specify command and by setting the DMA enabled bit (D3) in the DOR. With the FIFO disabled, a DMA request (DRQ) is generated in the Execution Phase when each byte is ready to be transferred. The DMA controller should respond to the DRQ with a DMA acknowledge ($\overline{\text{DACK}}$) and a read or write strobe. The DRQ will be cleared by the leading edge of the active low $\overline{\text{DACK}}$ input signal. After the last byte is transferred, an interrupt is generated, indicating the beginning of the Result Phase. During DMA operations the chip select input ($\overline{\text{CS}}$) must be held high. The $\overline{\text{DACK}}$ signal will act as the chip select for the FIFO in this case, and the state of the address lines A2–A0 is a don't care. The Terminal Count (TC) signal can be asserted by the DMA controller to terminate the data transfer at any time. Due to internal gating, TC is only recognized when $\overline{\text{DACK}}$ is low.

PC-AT Mode. When in the PC-AT interface mode with the FIFO disabled, the controller will be in single byte transfer mode. That is, the system will have one byte time to service a DMA request (DRQ) from the controller. DRQ will be deasserted between each byte.

5.0 FDC Functional Description (Continued)

PS/2 and Model 30 Modes. When in the PS/2 or Model 30 modes, DMA transfers with the FIFO disabled are performed differently. Instead of a single byte transfer mode, the FIFO will actually be enabled with THRESH = 0F (hex). Thus, DRQ will be asserted when one byte has entered the FIFO during reads, and when one byte can be written to the FIFO during writes. DRQ will be deasserted by the leading edge of the $\overline{\text{DACK}}$ input, and will be reasserted when $\overline{\text{DACK}}$ goes inactive high. This operation is very similar to Burst mode transfer with the FIFO enabled except that DRQ is deasserted between each byte.

5.3.2.2 DMA Mode—FIFO Enabled

Read Data Transfers

Whenever the number of bytes in the FIFO is greater than or equal to (16 – THRESH), a DRQ is generated. This is the trigger condition for the FIFO read data transfers from the floppy controller to the μP .

Burst Mode. DRQ will remain active until enough bytes have been read from the controller to empty the FIFO.

Non-Burst Mode. DRQ will be deasserted after each read transfer. If the FIFO is not completely empty, DRQ will be reasserted after a 350 ns delay. This will allow other higher priority DMA transfers to take place between floppy transfers. In addition, this mode will allow the controller to work correctly in systems where the DMA controller is put into a read verify mode, where only $\overline{\text{DACK}}$ signals are sent to the FDC, with no $\overline{\text{RD}}$ pulses. This read verify mode of the DMA controller is used in some PC software. The FIFO Non-Burst mode allows the $\overline{\text{DACK}}$ input from the DMA controller to be strobed, which will correctly clock data from the FIFO.

For both the Burst and Non-Burst modes, when the last byte in the FIFO has been read, DRQ will go inactive. DRQ will then be reasserted when the FIFO trigger condition is satisfied. After the last byte of a sector has been read from the disk, DRQ is again generated even if the FIFO has not yet reached its threshold trigger condition. This will guarantee that all the current sector bytes are read from the FIFO before the next sector byte transfer begins.

Write Data Transfers

Whenever the number of bytes in the FIFO is less than or equal to THRESH, a DRQ is generated. This is the trigger condition for the FIFO write data transfers from the μP to the floppy controller.

Burst Mode. DRQ will remain active until enough bytes have been written to the controller to completely fill the FIFO.

Non-Burst Mode. DRQ will be deasserted after each write transfer. If the FIFO is not full yet, DRQ will be reasserted after a 350 ns delay. This deassertion of DRQ will allow other higher priority DMA transfers to take place between floppy transfers.

The FIFO has a byte counter which will monitor the number of bytes being transferred to the FIFO during write operations for both Burst and Non-Burst modes. When the last byte of a sector is transferred to the FIFO, DRQ will be deasserted even if the FIFO has not been completely filled. In this way, the FIFO will be cleared after each sector is written. Only after the floppy controller has determined that

another sector is to be written will DRQ be asserted again. Also, since DRQ is deasserted immediately after the last byte of a sector is written to the FIFO, the system does not need to tolerate any DRQ deassertion delay and is free to do other work.

DRQ Deassertion

The $\overline{\text{DACK}}$ input signal from the DMA controller may be held active during an entire burst or it may be strobed for each byte transferred during a read or write operation. If $\overline{\text{DACK}}$ is strobed for each byte, the leading edge of this strobe is used to deassert DRQ. If $\overline{\text{DACK}}$ is strobed, $\overline{\text{RD}}$ or $\overline{\text{WR}}$ are not required. This is the case during the Read-Verify mode of the DMA controller. If $\overline{\text{DACK}}$ is held active during the entire burst, the leading edge of the $\overline{\text{RD}}$ or $\overline{\text{WR}}$ strobe is used to deassert DRQ.

Overrun Errors

An overrun or underrun error will terminate the execution of the command if the system does not transfer data within the allotted data transfer time (see Section 3.7), which will put the controller into the Result Phase. During a read overrun, the μP is required to read the remaining bytes of the sector before the controller will assert IRQ6, signifying the end of execution. During a write operation, an underrun error will terminate the Execution Phase after the controller has written the remaining bytes of the sector with the last correctly written byte to the FIFO and generated the CRC bytes. Whether there is an error or not, an interrupt is generated at the end of the Execution Phase, and is cleared by reading the first Result Phase byte.

$\overline{\text{DACK}}$ asserted by itself without a $\overline{\text{RD}}$ or $\overline{\text{WR}}$ strobe is also counted as a transfer. If $\overline{\text{RD}}$ or $\overline{\text{WR}}$ are not being strobed for each byte, then $\overline{\text{DACK}}$ must be strobed for each byte so that the floppy controller can count the number of bytes correctly. A new command, the Verify command, has been added to allow easier verification of data written to the disk without the need of actually transferring the data on the data bus.

5.3.2.3 Interrupt Mode—FIFO Disabled

If the Interrupt (Non-DMA) mode is selected, IRQ6 is asserted instead of DRQ when each byte is ready to be transferred. The Main Status Register should be read to verify that the interrupt is for a data transfer. The RQM and NON DMA bits (D7 and D5) in the MSR will be set. The interrupt will be cleared when the byte is transferred to or from the Data Register. $\overline{\text{CS}}$ and $\overline{\text{RD}}$ or $\overline{\text{CS}}$ and $\overline{\text{WR}}$ must be used to transfer the data in or out of the Data Register (A2–A0 must be valid). $\overline{\text{CS}}$ asserted by itself is not significant. $\overline{\text{CS}}$ must be asserted with $\overline{\text{RD}}$ or $\overline{\text{WR}}$ for a read or write transfer to be recognized.

The μP should transfer the byte within the data transfer service time (see Section 3.7). If the byte is not transferred within the time allotted, an Overrun Error will be indicated in the Result Phase when the command terminates at the end of the current sector.

An interrupt will also be generated after the last byte is transferred. This indicates the beginning of the Result Phase. The RQM and DIO bits (D7 and D6) in the MSR will be set, and the NON DMA bit (D5) will be cleared. This interrupt is cleared by reading the first result byte.

5.0 FDC Functional Description (Continued)

5.3.2.4 Interrupt Mode—FIFO Enabled

The Interrupt (Non-DMA) mode with the FIFO enabled is very similar to the Non-DMA mode with the FIFO disabled. In this case, IRQ6 is asserted instead of DRQ under the exact same FIFO threshold trigger conditions. The MSR should be read to verify that the interrupt is for a data transfer. The RQM and NON DMA bits (D7 and D5) in the MSR will be set. \overline{CS} and \overline{RD} or \overline{CS} and \overline{WR} must be used to transfer the data in or out of the Data Register (A2–A0 must be valid). \overline{CS} asserted by itself is not significant. \overline{CS} must be asserted with \overline{RD} or \overline{WR} for a read or write transfer to be recognized.

The Burst mode may be used to hold the IRQ6 pin active during a burst, or the Non-Burst mode may be used to toggle the IRQ6 pin for each byte of a burst. The Main Status Register is always valid from the μ P point of view. For example, during a read command, after the last byte of data has been read from the disk and placed in the FIFO, the MSR will still indicate that the Execution Phase is active, and that data needs to be read from the Data Register. Only after the last byte of data has been read by the μ P from the FIFO will the Result Phase begin.

The same overrun and underrun error procedures from the DMA mode apply to the Non-DMA mode. Also, whether there is an error or not, an interrupt is generated at the end of the Execution Phase, and is cleared by reading the first Result Phase byte.

5.3.2.5 Software Polling

If the Non-DMA mode is selected and interrupts are not suitable, the μ P can poll the MSR during the Execution Phase to determine when a byte is ready to be transferred. The RQM bit (D7) in the MSR reflects the state of the IRQ6 signal. Otherwise, the data transfer is similar to the Interrupt Mode described above. This is true for the FIFO enabled or disabled.

5.3.3 Result Phase

During the Result Phase, the μ P reads a series of bytes from the data register. These bytes indicate the status of the command. This status may indicate whether the command executed properly, or contain some control information (see the Command Description Table and Status Register Description). These Result Phase bytes are read in the order specified for that particular command. Some commands will not have a result phase. Also, the number of result bytes varies with each command. All of the result bytes must be read from the Data Register before the next command can be issued.

Like the Command Phase, the Main Status Register controls the flow of result bytes, and must be polled by the software before reading each Result Phase byte from the Data Register. The RQM bit (D7) and DIO bit (D6) must both be set before each result byte can be read. After the last result byte is read, the COM PROG bit (D4) in the MSR will be cleared, and the controller will be ready for the next command.

5.3.4 Idle Phase

After a hardware or software reset, or after the chip has recovered from the power down mode, the controller enters the Idle Phase. Also, when there are no commands in prog-

ress the controller will be in the Idle Phase. The controller will be waiting for a command byte to be written to the Data Register. The RQM bit will be set and the DIO bit will be cleared in the MSR. After receiving the first command (opcode) byte, the controller will enter the Command Phase. When the command is completed the controller again enters the Idle Phase. The Data Separator will remain synchronized to the reference frequency while the controller is idle. While in the Idle Phase, the controller will periodically enter the Drive Polling Phase (see below).

5.3.5 Drive Polling Phase

While in the Idle Phase the controller will enter a Drive Polling Phase every 1 ms (based on the 500 kb/s data rate). While in the Drive Polling Phase, the controller will interrogate the Ready Changed status for each of the four logical drives. The internal Ready changed status for each drive is toggled only after a hardware or software reset, and an interrupt will be generated for drive 0. At this point, the software must issue four Sense Interrupt commands to clear the Ready Changed State status for each drive. This requirement can be eliminated if drive polling is disabled via the POLL bit in the Configure command. The Configure command must be issued within 500 μ s (worst case) of the hardware or software reset for drive polling to be disabled.

The controller uses the Drive Polling Phase to control the Automatic Low Power mode. Even if drive polling is disabled, drive stepping and delayed power down will occur in the Drive Polling Phase. The controller will check the status of each drive and if necessary it will issue a step pulse on the STEP output with the DIR signal at the appropriate logic level. When the Motor Off time has expired, the controller will wait 512 ms based on the 500 kb/s and 1 Mb/s data rate before automatic powering down if this function is enabled via the Mode command.

5.4 DATA SEPARATOR

The internal data separator consists of an analog PLL and its associated circuitry. The PLL synchronizes the raw data signal read from the disk drive. The synchronized signal is used to separate the encoded clock and data pulses. The data pulses are deserialized into bytes and then sent to the μ P by the controller.

The main PLL consists of five main components, a phase comparator, a charge pump, a filter, a voltage controlled oscillator (VCO), and a programmable divider. The phase comparator detects the difference between the phase of the divider's output and the phase of the raw data being read from the disk. This phase difference is converted to a current by the charge pump, which either charges or discharges one of three filters which is selected based on the data rate. The resulting voltage on the filter changes the frequency of the VCO and the divider output to reduce the phase difference between the input data and the divider's output. The PLL is "locked" when the frequency of the divider is exactly the same as the average frequency of the data read from the disk. A block diagram of the data separator is shown in *Figure 5-1*.

To ensure optimal performance, the data separator incorporates several additional circuits. The quarter period delay line is used to determine the center of each bit cell, and to disable the phase comparator when the raw data signal is

5.0 FDC Functional Description (Continued)

missing a clock or data pulse in the MFM or FM pattern. A secondary PLL is used to automatically calibrate the quarter period delay line. The secondary PLL also calibrates the center frequency of the VCO.

To eliminate the logic associated with controlling multiple data rates, the FDC supports each of the four data rates (250, 300, 500 kb/s, and 1 Mb/s) with a separate, optimized internal filter. The appropriate filter for each data rate is automatically switched into the data separator circuit when the data rate is selected via the Data Rate Select or Configuration Control Register. These filters have been optimized through lab experimentation, and are designed into the controller to reduce the external component cost associated with the floppy controller.

The FDC has a dynamic window margin and lock range performance capable of handling a wide range of floppy disk drives. Also, the data separator will work well under a variety of conditions, including the high motor speed fluctuations of floppy compatible tape drives.

Figure 5-2 shows the floppy disk controller dynamic window margin performance at the four different data rates. Dynamic window margin is the primary indicator of the quality and performance level of the data separator. This measurement indicates how much motor speed variation (MSV) of the drive spindle motor and bit jitter (or window margin) can be tolerated by the data separator.

MSV is shown on the x-axis of the dynamic window margin graph. MSV is translated directly to the actual data rate of the data as it is read from the disk by the data separator. That is, a faster than nominal motor will result in a higher frequency in the actual data rate.

The dynamic window margin performance curves also indicate how much bit jitter (or window margin) can be tolerated by the data separator. This parameter is shown on the y-axis of the graphs. Bit jitter is caused by the magnetic interaction of adjacent data pulses on the disk, which effectively shifts the bits away from their nominal positions in the middle of the bit window. Window margin is commonly measured as a percentage. This percentage indicates how far a data bit can be shifted early or late with respect to its nominal bit position, and still be read correctly by the data separator. If the data separator cannot correctly decode a shifted bit, then the data will be misread and a CRC will result.

The dynamic window margin performance curves contain two pieces of information: 1) the maximum range of MSV (also called "lock range") that the data separator can handle with no read errors, and 2) the maximum percentage of window margin (or bit jitter) that the data separator can handle with no read errors. Thus, the area under the dynamic window margin curves in Figure 5-2 is the range of MSV and bit jitter that the FDC can handle with no read errors.

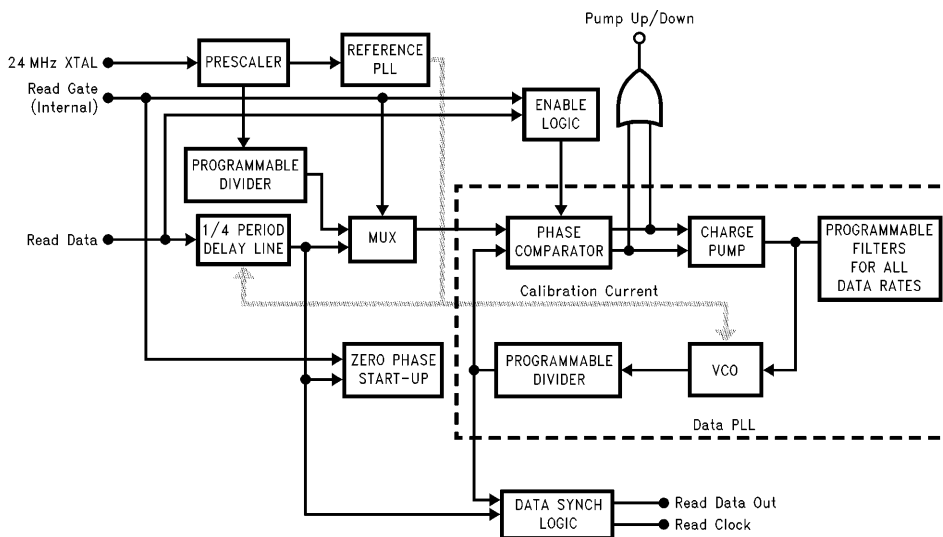


FIGURE 5-1. FDC Data Separator Block Diagram

TL/F/11362-10

5.0 FDC Functional Description (Continued)

The FDC internal analog data separator has a much better performance than comparable digital data separator designs, and does not require any external components.

Note: The dynamic window margin curves were generated using a FlexStar FS-540 Floppy Disk Simulator and a proprietary dynamic window margin test program written by National Semiconductor.

The controller takes best advantage of the internal analog data separator by implementing a sophisticated read algorithm. This ID search algorithm, shown in *Figure 5-3*, enhances the PLL's lock characteristics by forcing the PLL to relock to the crystal reference frequency any time the data separator attempts to lock to a non-preamble pattern. This algorithm ensures that the PLL is not thrown way out of lock by write splices or bad data fields.

5.5 CRYSTAL OSCILLATOR

The FDC is clocked by a single 24 MHz signal. An on-chip oscillator is provided to enable the attachment of a crystal or a clock signal.

A parallel resonant crystal is preferred if at all possible. In some cases, a series resonant crystal can be used, but care must be taken to ensure that the crystal does not oscillate at a sub-harmonic frequency. The oscillator is able to work with high profile, low profile, and surface mount type crystal enclosures. External bypass capacitors (5 pF to 10 pF) should be connected from XTAL1 and XTAL2 to GND. If an external oscillator circuit is used, it must have a duty cycle of at least 40%–60%, and minimum input levels of 2.4V and

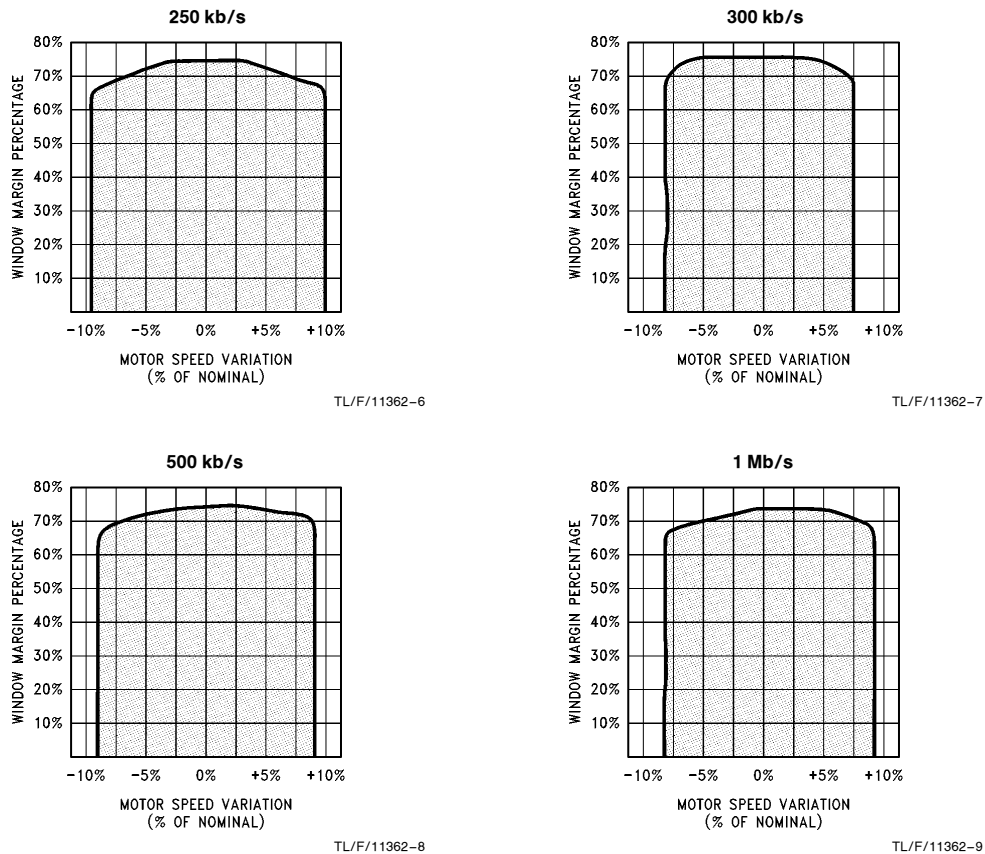


FIGURE 5-2. PC87311A/12 Dynamic Window Margin Performance

(Typical performance at $V_{CC} = 5.0V$, $25^{\circ}C$)

5.0 FDC Functional Description (Continued)

0.4V. The controller should be configured so that the external oscillator clock is input into the X1/OSC pin, and XTAL2 is left unconnected.

5.6 PERPENDICULAR RECORDING MODE

The FDC is fully compatible with perpendicular recording mode disk drives at all data rates. These perpendicular mode drives are also called 4 Mbyte (unformatted) or 2.88 Mbyte (formatted) drives, which refers to their maximum storage capacity. Perpendicular recording will orient the magnetic flux changes (which represent bits) vertically on the disk surface, allowing for a higher recording density than the conventional longitudinal recording methods. With this increase in recording density comes an increase in the data rate of up to 1 Mb/s, thus doubling the storage capacity. In addition, the perpendicular 2.88M drive is read/write compatible with 1.44M and 720k diskettes (500 kb/s and 250 kb/s respectively).

The 2.88M drive has unique format and write data timing requirements due to its read/write head and pre-erase head design (see *Figure 5-4*). Unlike conventional disk drives which have only a read/write head, the 2.88M drive has both a pre-erase head and read/write head. With conventional disk drives, the read/write head by itself is able to rewrite the disk without problems. For 2.88M drives, a pre-erase head is needed to erase the magnetic flux on the disk surface before the read/write can write to the disk surface. The pre-erase head is activated during disk write operations only, i.e., Format and Write Data commands.

In 2.88M drives, the pre-erase head leads the read/write head by 200 μm , which translates to 38 bytes at 1 Mb/s (19 bytes at 500 kb/s). For both conventional and perpendicular drives, WGATE is asserted with respect to the position of the read/write head. With conventional drives, this means that WGATE is asserted when the read/write head is located at the beginning of the Data Field preamble. With the

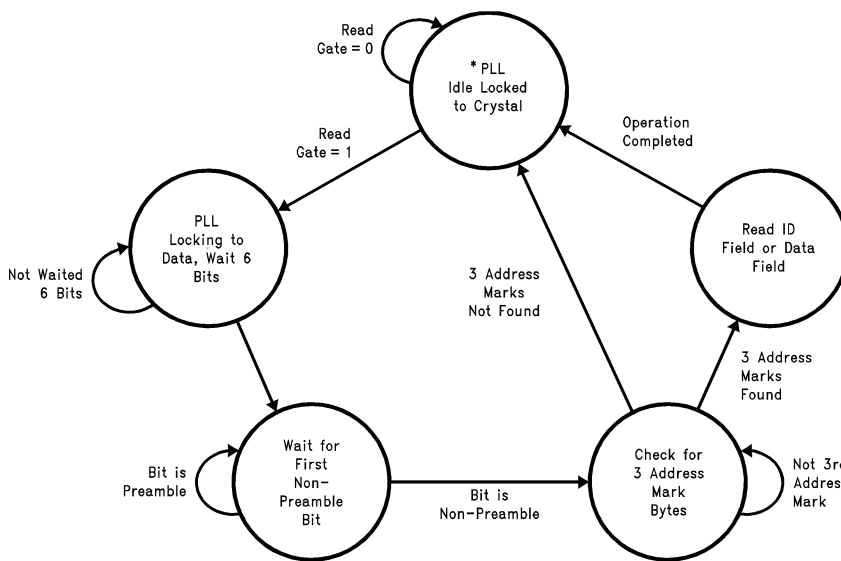


FIGURE 5-3. Read Data Algorithm—State Diagram

TL/F/11362-11

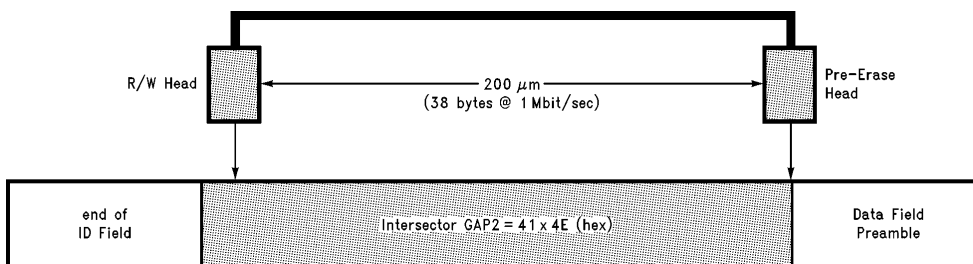


FIGURE 5-4. Perpendicular Recording Drive R/W Head and Pre-Erase Head

TL/F/11362-12

5.0 FDC Functional Description (Continued)

2.88M drives, since the preamble must be pre-erased before it is rewritten, WGATE should be asserted when the pre-erase head is located at the beginning of the Data Field preamble. This means that WGATE should be asserted when the read/write head is at least 38 bytes (at 1 Mb/s) before the preamble. See Table 4-4 for a description of the WGATE timing for perpendicular drives at the various data rates.

Because of the 38 byte spacing between the read/write head and the pre-erase head at 2 Mb/s, the GAP2 length of 22 bytes used in the standard IBM disk format is not long enough. There is a new format standard for 2.88M drives at 1 Mb/s called the Perpendicular Format, which increases the GAP2 length to 41 bytes (see Figure 4-1).

The Perpendicular Mode command will put the floppy controller into perpendicular recording mode, which allows it to read and write perpendicular media. Once this command is invoked, the read, write and format commands can be executed in the normal manner. The perpendicular mode of the floppy controller will work at all data rates, adjusting the format and write data parameters accordingly. See Section 4.2.8 for more details.

5.7 DATA RATE SELECTION

The data rate can be chosen two different ways with the FDC. For PC compatible software, the Configuration Control Register at address 3F7 (hex) is used to program the data rate for the floppy controller. The lower bits D1 and D0 are used in the CCR to set the data rate. The other bits should be set to zero. See Table 3-6 for the data rate select encoding.

The data rate can also be set using the Data Rate Select Register at address 4. Again, the lower two bits of the register are used to set the data rate. The encoding of these bits is exactly the same as those in the CCR. The remainder of the bits in the DSR are used for other functions. Consult the Register Description (Section 5.1) for more details.

The data rate is determined by the last value that is written to either the CCR or the DSR. In other words, either the CCR or the DSR can override the data rate selection of the other register. When the data rate is selected, the micro-engine and data separator clocks are scaled appropriately. Also, the DRATE0 and DRATE1 output pins will reflect the state of the data select bits that were last written to either the CCR or the DSR.

5.8 WRITE PRECOMPENSATION

Write precompensation is a way of preconditioning the WDATA output signal to adjust for the effects of bit shift on the data as it is written to the disk surface. Bit shift is caused by the magnetic interaction of data bits as they are written to the disk surface, and has the effect of shifting these data bits away from their nominal position in the serial MFM or FM data pattern. Data that is subject to bit shift is much harder to read by a data separator, and can cause soft read errors. Write precompensation predicts where bit shift could occur within a data pattern. It then shifts the individual data bits early, late, or not at all such that when they are written to the disk, the resultant shifted data bits will be back in their nominal position.

The FDC supports software programmable write precompensation. Upon power up, the default write precomp values

will be used (see Table 3-5). The programmer can choose a different value of write precomp with the DSR register if desired (see Table 3-4). Also on power up, the default starting track number for write precomp is track zero. This starting track number for write precomp can be changed with the Configure command.

5.9 FDC LOW POWER MODE LOGIC

The FDC section of the PC87311A/12 supports two low power modes described here in detail. Other low power modes of the PC87311A/12 described in Section 2.6 are covered below and in section 3.6 and 4.2.6. The microcode is driven from the clock, so it will be disabled while the clock is off. The FDC clock is always disabled upon entering this mode, however, the oscillator is only disabled when PTR1 = 1. Upon entering the power down state, the RQM (Request For Master) bit in the MSR will be cleared.

There are two modes of low power in the floppy controller: manual low power and automatic low power. Manual low power is enabled by writing a 1 to bit 6 of the DSR. The chip will go into low power immediately. This bit will be cleared to 0 after the chip is brought out of low power. Manual low power can also be accessed via the Mode command. The function of the manual low power mode is a logical OR function between the DSR low power bit and the Mode command manual low power bit setting.

Automatic low power mode will switch the controller into low power 500 ms (at the 500 kb/s MFM data rate) after it has entered the idle state. Once the auto low power mode is set, it does not have to be set again, and the controller will automatically go into low power mode after it has entered the idle state. Automatic low power mode can only be set with the Mode command.

There are two ways the FDC section can recover from the power down state. The part will power up after a software reset via the DOR or DSR. Since a software reset requires reinitialization of the controller, this method can be undesirable. The part will also power up after a read or write to either the Data Register or Main Status Register. This is the preferred method of power up since all internal register values are retained. It may take a few milliseconds for the oscillator to stabilize, and the μ P will be prevented from issuing commands during this time through the normal Main Status Register protocol. That is, the RQM bit in the MSR will be a 0 until the oscillator has stabilized. When the controller has completely stabilized from power up, the RQM bit in the MSR is set to 1 and the controller can continue where it left off.

The Data Rate Select, Digital Output, and Configuration Control Registers are unaffected by the power down mode. They will remain active. It is up to the user to ensure that the Motor and Drive Select signals are turned off.

Note: If the power to an external oscillator driving the PC87311A/12 is to be independently removed during the FDC low power mode, it must not be done until 2 ms after the FDC low power command is issued.

5.10 RESET OPERATION

The floppy controller can be reset by hardware or software. Hardware reset is enacted by pulsing the Master Reset input pin. A hardware reset will set all of the user addressable registers and internal registers to their default values. The

5.0 FDC Functional Description

(Continued)

Specify command values will be don't cares, so they must be reinitialized. The major default conditions are: FIFO disabled, FIFO threshold = 0, Implied Seeks disabled, and Drive Polling enabled.

A software reset can be performed through the Digital Output Register or Data Rate Select Register. The DSR reset bit is self-clearing, while the DOR reset bit is not self-clearing. If the LOCK bit in the Lock Status command was set to a 1 previous to the software reset, the FIFO, THRESH, and PRETRK parameters in the Configure command will be retained. In addition, the FWR, FRD, and BST parameters in the Mode command will be retained if LOCK is set to 1. This function eliminates the need for total reinitialization of the controller after a software reset.

After a hardware (assuming the FDC is enabled in the FER) or software reset, the Main Status Register is immediately available for read access by the μ P. It will return a 00 hex value until all the internal registers have been updated and the data separator is stabilized. When the controller is ready to receive a command byte, the MSR will return a value of 80 hex (Request for Master bit is set). The MSR is guaranteed to return the 80 hex value within 2.5 μ s after a hardware or software reset. All other user addressable registers other than the Main Status Register and Data Register (FIFO) can be accessed at any time, even while the part is in reset.

6.0 Serial Ports

6.1 INTRODUCTION

Each of these serial ports functions as a serial data input/output interface in a microcomputer system. The system software determines the functional configuration of the UARTs via a 8-bit bidirectional data bus.

The UARTs are completely independent. They perform serial-to-parallel conversion on data characters received from a peripheral device or a MODEM, and parallel-to-serial conversion on data characters received from the CPU. The CPU can read the complete status of either UART at any time during the functional operation. Status information reported includes the type and condition of the transfer operations being performed by the UART, as well as any error conditions (parity, overrun, framing, or break interrupt).

The UARTs have programmable baud rate generators that are capable of dividing the internal reference clock by divisors of 1 to ($2^{**}16-1$), and producing a 16 x clock for driving the transmitter logic. Provisions are also included to use this 16 x clock to drive the receiver logic. The UARTs have complete MODEM-control capability and a prioritized interrupt system. Interrupts can be programmed to the user's requirements, minimizing the computing required to handle the communications link.

The PC87311A UARTs can operate in the INS8250-B mode (XT) or the NS16450 mode (AT), depending on the state of the XTSEL pin during reset.

6.2 PC87311A SERIAL PORTS

6.2.1 Serial Port Registers

Two identical register sets, one for each channel, are in the PC87311A. All register descriptions in this section apply to the register sets in both channels.

TABLE 6-1. PC87311A UART Register Addresses (AEN = 0)

DLAB 1	A2	A1	A0	Selected Register
0	0	0	0	Receiver Buffer (Read), Transmitter Holding (Write)
0	0	0	1	Interrupt Enable
0	0	1	0	Interrupt Identification (Read)
X	0	1	1	Line Control
X	1	0	0	MODEM Control
X	1	0	1	Line Status
X	1	1	0	MODEM Status
X	1	1	1	Scratch (Note 1)
1	0	0	0	Divisor Latch (Least Significant Byte)
1	0	0	1	Divisor Latch (Most Significant Byte)

Note: This register is only present when operating in the AT, NS16450 mode (XTSEL is low during reset).

6.2.2 Line Control Register (LCR)

The system programmer uses the Line Control Register (LCR) to specify the format of the asynchronous data communications exchange and set the Divisor Latch Access bit. This is a read and write register. Table 6-2 shows the contents of the LCR. Details on each bit follow:

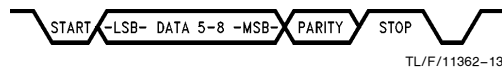


FIGURE 6-1. PC87311A Composite Serial Data

Bits 0,1 These two bits specify the number of data bits in each transmitted or received serial character. The encoding of bits 0 and 1 is as follows:

Bit 1	Bit 0	Data Length
0	0	5 Bits
0	1	6 Bits
1	0	7 Bits
1	1	8 Bits

Bit 2 This bit specifies the number of Stop bits transmitted with each serial character. If bit 2 is a logic 0, one Stop bit is generated in the transmitted data. If bit 2 is a logic 1 when a 5-bit data length is selected, one and a half Stop bits are generated. If bit 2 is a logic 1 when either a 6-, 7-, or 8-bit word length is selected, two Stop bits are generated. The receiver checks the first Stop bit only, regardless of the number of Stop bits selected.

Bit 3 This bit is the Parity Enable bit. When bit 3 is a logic 1, a Parity bit is generated (transmit data) or checked (receive data) between the last data bit and Stop bit of the serial data. (The Parity bit is used to produce an even or odd number of 1s when the data bits and the Parity bit are summed.)

6.0 Serial Ports (Continued)

TABLE 6-2. PC87311A Register Summary for an Individual UART Channel

Register Address											
	0DLAB = 0	0DLAB = 0	1DLAB = 0	2	3	4	5	6	7	0DLAB = 1	1DLAB = 1
Bit No.	Receiver Buffer Register (Read Only)	Transmitter Holding Register (Write Only)	Interrupt Enable Register	Interrupt Ident. Register (Read Only)	Line Control Register	MODEM Control Register	Line Status Register	MODEM Status Register	Scratch Pad Register (Note 4)	Divisor Latch (LS)	Divisor Latch (MS)
	RBR	THR	IER	IIR	LCR	MCR	LSR	MSR	SCR	DLL	DLM
0	Data Bit 0 (Note 1)	Data Bit 0	Enable Received Data Available Interrupt	"0" if Interrupt Pending	Word Length Select Bit 0	Data Terminal Ready (DTR)	Data Ready (DR)	Delta Clear to Send	Bit 0	Bit 0	Bit 8
1	Data Bit 1	Data Bit 1	Enable Transmitter Holding Register Empty Interrupt	Interrupt ID Bit	Word Length Select Bit 1	Request to Send (RTS)	Overrun Error (OE)	Delta Data Set Ready	Bit 1	Bit 1	Bit 9
2	Data Bit 2	Data Bit 2	Enable Receiver Line Status Interrupt	Interrupt ID Bit	Number of Stop Bits	Out1 Bit	Parity Error (PE)	Trailing Edge Ring Indicator	Bit 2	Bit 2	Bit 10
3	Data Bit 3	Data Bit 3	Enable MODEM Status Interrupt	0	Parity Enable	IRQ Enable (Note 3)	Framing Error (FE)	Delta Data Carrier Detect	Bit 3	Bit 3	Bit 11
4	Data Bit 4	Data Bit 4	0	0	Even Parity Select	Loop	Break Interrupt (BI)	Clear to Send (CTS)	Bit 4	Bit 4	Bit 12
5	Data Bit 5	Data Bit 5	0	0	Stick Parity	0	Transmitter Holding Register (THRE)	Data Set Ready (DSR)	Bit 5	Bit 5	Bit 13
6	Data Bit 6	Data Bit 6	0	0	Set Break	0	Transmitter Empty (TEMT) (Note 2)	Ring Indicator (RI)	Bit 6	Bit 6	Bit 14
7	Data Bit 7	Data Bit 7	0	0	Divisor Latch Access Bit (DLAB)	0	0	Data Carrier Detect (DCD)	Bit 7	Bit 7	Bit 15

Note 1: Bit 0 is the least significant bit. It is the first bit serially transmitted or received.

Note 2: When operating in the XT mode, this bit will be set any time that the transmitter shift register is empty.

Note 3: This bit no longer has a pin associated with it.

Note 4: When operating in the XT mode, this register is not available.

6.0 Serial Ports (Continued)

TABLE 6-3. PC87311A UART Reset Configuration

Register Signal	Reset Control	Reset State
Interrupt Enable Register	Master Reset	0000 0000 (Note 1)
Interrupt Identification Register	Master Reset	0000 0001
Line Control Register	Master Reset	0000 0000
MODEM Control Register	Master Reset	0000 0000
Line Status Register	Master Reset	0110 0000
MODEM Status Register	Master Reset	XXXX 0000 (Note 2)
SOUT	Master Reset	High
INTR (RCVR Errs)	Read LSR MR	Low/TRI-STATE
INTR (RCVR Data Ready)	Read RBR MR	Low/TRI-STATE
INTR (THRE)	Read IIR Write THR MR	Low/TRI-STATE
INTR (Modem Status Changes)	Read MSR MR	Low/TRI-STATE
Interrupt Enable Bit	Master Reset	Low
$\overline{\text{RTS}}$	Master Reset	High
$\overline{\text{DTR}}$	Master Reset	High

Note 1: Boldface bits are permanently low.

Note 2: Bits 7–4 are driven by the input signals.

Bit 4 This bit is the Even Parity Select bit. When parity is enabled and bit 4 is a logic 0, an odd number of logic 1s is transmitted or checked in the data word bits and Parity bit. When parity is enabled and bit 4 is a logic 1, an even number of logic 1s is transmitted or checked.

Bit 5 This bit is the Stick Parity bit. When parity is enabled it is used in conjunction with bit 4 to select Mark or Space Parity. When LCR bits 3, 4 and 5 are logic 1 the Parity bit is transmitted and checked as a logic 0 (Space Parity). If bits 3 and 5 are 1 and bit 4 is a logic 0 then the Parity bit is transmitted and checked as a logic 1 (Mark Parity). If bit 5 is a logic 0 Stick Parity is disabled.

Bit 6 This bit is the Break Control bit. It causes a break condition to be transmitted to the receiving UART. When it is set to a logic 1, the serial output (SOUT) is forced to the Spacing state (logic 0). The break is disabled by setting bit 6 to a logic 0. The Break

Control bit acts only on SOUT and has no effect on the transmitter logic.

Note: This feature enables the CPU to alert a terminal. If the following sequence is used, no erroneous characters will be transmitted because of the break.

1. Wait for the transmitter to be idle, (TEMT = 1).
2. Set break for the appropriate amount of time. If the transmitter will be used to time the break duration, then check that TEMT = 1 before clearing the Break Control bit.
3. Clear break when normal transmission has to be restored.

During the break, the Transmitter can be used as a character timer to accurately establish the break duration by sending characters and monitoring THRE and TEMT.

Bit 7 This bit is the Divisor Latch Access Bit (DLAB). It must be set high (logic 1) to access the Divisor Latches of the Baud rate Generator during a Read or Write operation or to have the BOUT signal appear on the BOUT pin. It must be set low (logic 0) to access any other register.

6.0 Serial Ports (Continued)

6.2.3 Programmable Baud Rate Generator

The PC87311A contains two independently programmable Baud rate Generators. The 24 MHz crystal oscillator frequency input is divided by 13, resulting in a frequency of 1.8462 MHz. This is sent to each Baud rate Generator and divided by the divisor of the associated UART. The output frequency of the Baud rate Generator (BOUT_{1,2}) is $16 \times$ the baud rate.

$$\text{divisor \#} = (\text{frequency input}) (\text{baud rate} \times 16)$$

The output of each Baud rate Generator drives the transmitter and receiver sections of the associated serial channel. Two 8-bit latches per channel store the divisor in a 16-bit binary format. These Divisor Latches must be loaded during initialization to ensure proper operation of the Baud rate Generator. Upon loading either of the Divisor Latches, a 16-bit Baud Counter is loaded. Table 6-4 provides decimal divisors to use with crystal frequencies of 24 MHz. The oscillator input to the chip should always be 24 MHz to ensure that the Floppy Disk Controller timing is accurate and that the UART divisors are compatible with existing software. Using a divisor of zero is not recommended.

TABLE 6-4. PC87311A UART Divisors, Baud Rates and Clock Frequencies

24 MHz Input Divided to 1.8432 MHz		
Baud Rate	Decimal Divisor for 16 x Clock	Percent Error
50	2304	0.1
75	1536	
110	1047	
134.5	857	0.4
150	768	—
300	384	—
600	192	—
1200	96	—
1800	64	—
2000	58	0.5
2400	48	—
3600	32	—
4800	24	—
7200	16	—
9600	12	—
19200	6	—
38400	3	—
57600	2	—
115200	1	—

Note: The percent error for all baud rates, except where indicated otherwise is 0.2%.

6.2.4 Line Status Register

This 8-bit register provides status information to the CPU concerning the data transfer. Table 6-2 shows the contents of the Line Status Register. Details on each bit follow:

Bit 0 This bit is the receiver Data Ready (DR) indicator. Bit 0 is set to logic 1 whenever a complete incoming character has been received and transferred into the Receiver Buffer Register. Bit 0 is reset to a logic 0 by reading the data in the Receiver Buffer Register.

Bit 1 This bit is the Overrun Error (OE) indicator. Bit 1 indicates that data in the Receiver Buffer Register was not read by the CPU before the next character was transferred into the Receiver Buffer Register, thereby destroying the previous character. The OE indicator is set to a logic 1 upon detection of an overrun condition and reset whenever the CPU reads the contents of the Line Status Register.

Bit 2 This bit is the Parity Error (PE) indicator. Bit 2 indicates that the received data character does not have the correct even or odd parity, as selected by the even-parity select bit. The PE bit is set to a logic 1 upon detection of a parity error and is reset to a logic 0 whenever the CPU reads the contents of the Line Status Register.

Bit 3 This bit is the Framing Error (FE) indicator. Bit 3 indicates that the received character did not have a valid Stop bit. Bit 3 is set to a logic 1 whenever the Stop bit following the last data bit or parity bit is a logic 0 (Spacing level). The FE indicator is reset whenever the CPU reads the contents of the Line Status Register. The UART will try to resynchronize after a framing error. To do this it assumes that the framing error was due to the next start bit, so it samples this "start" bit twice and then takes in the bits following it as the rest of the frame.

Bit 4 This bit is the Break Interrupt (BI) indicator. Bit 4 is set to a logic 1 whenever the received data input is held in the Spacing (logic 0) state for longer than a full word transmission time (that is, the total time of Start bit + data bits + Parity + Stop bits). The BI indicator is reset whenever the CPU reads the contents of the Line Status Register. Restarting after a break is received requires the SIN pin to be logical 1 for at least $\frac{1}{2}$ bit time.

Note: Bits 1 through 4 are the error conditions that produce a Receiver Line Status interrupt whenever any of the corresponding conditions are detected and the interrupt is enabled.

Bit 5 This bit is the Transmitter Holding Register Empty (THRE) indicator. Bit 5 indicates that the UART is ready to accept a new character for transmission. In addition, this bit causes the UART to issue an interrupt to the CPU when the Transmitter Holding Register Empty Interrupt enable is set high. The THRE bit is set to a logic 1 when a character is transferred from the Transmitter Holding Register into the Transmitter Shift Register. The bit is reset to logic 0 whenever the CPU loads the Transmitter Holding Register.

Bit 6 This bit changes its function depending on whether the device is operating in the XT or AT mode. When operating in the AT mode, this bit is the Transmitter Empty (TEMT) indicator. Bit 6 is set to a logic 1 whenever the Transmitter Holding Register (THR) and the Transmitter Shift Register (TSR) are both empty. It is reset to a logic 0 whenever either the THR or TSR contains a data character. When operating in the XT mode this bit is set whenever the Transmitter Shift Register is empty. It is cleared whenever a byte is loaded into the Transmitter Shift Register.

6.0 Serial Ports (Continued)

Bit 7 This bit is permanently set to logic 0.

Note: The Line Status Register is intended for read operations only. Writing to this register is not recommended as this operation is only used for factory testing.

6.2.5 Interrupt Identification Register (IIR)

In order to provide minimum software overhead during data character transfers, the UART prioritizes interrupts into four levels and records these in the Interrupt Identification Register. The four levels of interrupt conditions in order of priority are Receiver Line Status; Received Data Ready; Transmitter Holding Register Empty; and MODEM Status.

When the CPU accesses the IIR, the UART freezes all interrupts and indicates the highest priority pending interrupt to the CPU. While this CPU access is occurring, the UART records new interrupts, but does not change its current indication until the current access is complete. Table 6-2 shows the contents of the IIR. Details on each bit follow:

Bit 0 This bit can be used in an interrupt environment to indicate whether an interrupt condition is pending. When bit 0 is a logic 0, an interrupt is pending and the IIR contents may be used as a pointer to the appropriate interrupt service routine. When bit 0 is a logic 1, no interrupt is pending.

Bits 1, 2 These two bits of the IIR are used to identify the highest priority interrupt pending as indicated in Table 6-5.

Bits 3–7 These five bits of the IIR are always logic.

6.2.6 Interrupt Enable Register (IER)

This register enables the four types of UART interrupts. Each interrupt can individually activate the appropriate interrupt (IRQ3 or IRQ4) output signal. It is possible to totally disable the interrupt system by resetting bits 0 through 3 of the Interrupt Enable Register (IER). Similarly, setting bits of this register to a logic 1 enables the selected interrupt(s). Disabling an interrupt prevents it from being indicated as active in the IIR and from activating the interrupt output signal. All other system functions operate in their normal man-

ner, including the setting of the Line Status and MODEM Status Registers. Table 6-2 shows the contents of the IER. Details on each bit follow. See MODEM Control Register bit 3 for more information on enabling the interrupt pin.

Bit 0 This bit enables the Received Data Available Interrupt when set to logic 1.

Bit 1 This bit enables the Transmitter Holding Register Empty Interrupt when set to logic 1.

Bit 2 This bit enables the Receiver Line Status Interrupt when set to logic 1.

Bit 3 This bit enables the MODEM Status Interrupt when set to logic 1.

Bits 4–7 These four bits are always logic 0.

6.2.7 Modem Control Register (MCR)

This register controls the interface with the MODEM or data set (or a peripheral device emulating a MODEM). The contents of the MODEM Control Register (MCR) are indicated in Table 6-2 and are described below.

Bit 0 This bit controls the Data Terminal Ready (\overline{DTR}) output. When bit 0 is set to a logic 1, the \overline{DTR} output is forced to a logic 0. When bit 0 is reset to a logic 0, the \overline{DTR} output is forced to a logic 1. In Local Loopback Mode, this bit controls bit 5 of the MODEM Status Register.

Note: The \overline{DTR} and \overline{RTS} output of the UART may be applied to an EIA inverting line driver (such as the DS1488) to obtain the proper polarity input at the MODEM or data set.

Bit 1 This bit controls the Request to Send (\overline{RTS}) output. Bit 1 affects the \overline{RTS} output in a manner identical to that described above for bit 0. In Local Loopback Mode, this bit controls bit 4 of the MODEM Status Register.

Bit 2 This bit is the OUT1 bit. It does not have an output pin associated with it. It can be written to and read by the CPU. In Local Loopback Mode, this bit controls bit 6 of the MODEM Status Register.

TABLE 6-5. PC87311A Interrupt Control Functions

Interrupt Identification Register				Interrupt Set and Reset Functions		
Bit 2	Bit 1	Bit 0	Priority Level	Interrupt Type	Interrupt Source	Interrupt Reset Control
0	0	1	—	None	None	—
1	1	0	Highest	Receiver Line Status	Overrun Error, Parity Error, Framing Error or Break Interrupt	Reading the Line Status Register
1	0	0	Second	Received Data Available	Receiver Data Available	Read Receiver Buffer
0	1	0	Third	Transmitter Holding Register Empty	Transmitter Holding Register Empty	Reading the IIR Register (if Source of Interrupt) or Writing the Transmitter Holding Register
0	0	0	Fourth	MODEM Status	Clear to Send or Data Set Ready or Ring Indicator or Data Carrier Detect	Reading the MODEM Status Register

6.0 Serial Ports (Continued)

Bit 3 This bit enables the interrupt when set. No external pin is associated with this bit. In Local Loopback Mode, this bit controls bit 7 of the MODEM Status Register.

Bit 4 This bit provides a Local loopback feature for diagnostic testing of the UART. When bit 4 is set to logic 1, the following occur: the transmitter Serial Output (SOUT) is set to the Marking (logic 1) state; the receiver Serial Input (SIN) is disconnected; the output of the Transmitter Shift Register is "looped back" (connected) to the Receiver Shift Register; the four MODEM Control inputs ($\overline{\text{DSR}}$, $\overline{\text{CTS}}$, RI and DCD) are disconnected; and the DTR, RTS, OUT1, IRQ ENABLE bits in MCR are internally connected to DSR, CTS, RI and DCD in MSR, respectively. When operating in the AT mode the MODEM Control output pins are forced to their high (inactive) states. When operating in the XT mode the Modem Control output pins remain connected to their corresponding bits in the MCR. In the Loopback Mode, data that is transmitted is immediately received. This feature allows the processor to verify the transmit-and-received-data paths of the serial port.

In the Loopback Mode, the receiver and transmitter interrupts are fully operational. The MODEM Status Interrupts are also operational, but the interrupts' sources are the lower four bits of MCR instead of the four MODEM control inputs. Writing a 1 to any of these 4 MCR bits will cause an interrupt. In Loopback Mode the interrupts are still controlled by the Interrupt Enable Register. The IRQ3 and 4 pins respond as follows in Loopback mode: (1) If AT mode is set (see XTSEL pin) then the IRQ3 and 4 pins are TRI-STATE. If XT mode is set then the IRQ3 and 4 pins will be TRI-STATE only if the MCR3 bit is low.

Bits 5–7 These bits are permanently set to logic 0.

6.2.8 Modem Status Register (MSR)

This register provides the current state of the control lines from the MODEM (or peripheral device) to the CPU. In addition to this current-state information, four bits of the MODEM Status Register provide change information. These bits are set to a logic 1 whenever a control input from the MODEM changes state. They are reset to logic 0 whenever the CPU reads the MODEM Status Register. Table 6-2 shows the contents of the MSR. Details on each bit follow.

Bit 0 This bit is the Delta Clear to Send (DCTS) indicator. Bit 0 indicates that the $\overline{\text{CTS}}$ input to the chip has changed state since the last time it was read by the CPU.

Bit 1 This bit is the Delta Data Set Ready (DDSR) indicator. Bit 1 indicates that the $\overline{\text{DSR}}$ input to the chip has changed state since the last time it was read by the CPU.

Bit 2 This bit is the Trailing Edge of Ring Indicator (TERI) detector. Bit 2 indicates that the RI input to the chip has changed from a low to a high state.

Bit 3 This bit is the Delta Data Carrier Detect (DDCD) indicator. Bit 3 indicates that the DCD input to the chip has changed state.

Note: Whenever bit 0, 1, 2 or 3 is set to logic 1, a MODEM Status Interrupt is generated.

Bit 4 This bit is the complement of the Clear to Send ($\overline{\text{CTS}}$) input. If bit 4 (loopback) of the MCR is set to a 1, this bit is equivalent to RTS in the MCR.

Bit 5 This bit is the complement of the Data Set Ready ($\overline{\text{DSR}}$) input. If bit 4 of the MCR is set to a 1, this bit is equivalent to DTR in the MCR.

Bit 6 This bit is the complement of the Ring Indicator (RI) input. If bit 4 of the MCR is set to a 1, this bit is equivalent to OUT1 in the MCR.

Bit 7 This bit is the complement of the Data Carrier Detect (DCD) input. If bit 4 of the MCR is set to a 1, this bit is equivalent to IRQ ENABLE in the MCR.

6.2.9 Scratchpad Register (SCR)

This 8-bit Read/Write Register does not control the UART in any way. It is intended as a scratchpad register to be used by the programmer to hold data temporarily. When operating in the XT mode, this register is unavailable.

6.3 PC87312 SERIAL PORTS

6.3.1 Serial Port Registers

Two identical register sets, one for each channel, are in the PC87312. All register descriptions in this section apply to the register sets in both channels.

TABLE 6-6. PC87312 UART Register Addresses (AEN = 0)

DLAB 1	A2	A1	A0	Selected Register
0	0	0	0	Receiver Buffer (Read), Transmitter Holding (Write)
0	0	0	1	Interrupt Enable
0	0	1	0	Interrupt Identification (Read) FIFO Control (Write)
X	0	1	1	Line Control
X	1	0	0	MODEM Control
X	1	0	1	Line Status
X	1	1	0	MODEM Status
X	1	1	1	Scratch
1	0	0	0	Divisor Latch (Least Significant Byte)
1	0	0	1	Divisor Latch (Most Significant Byte)

6.3.2 Line Control Register (LCR)

The system programmer uses the Line Control Register (LCR) to specify the format of the asynchronous data communications exchange and set the Divisor Latch Access bit.

6.0 Serial Ports (Continued)

This is a read and write register. Table 6-7 shows the contents of the LCR. Details on each bit follow:

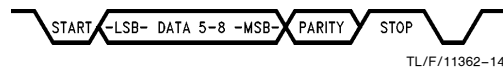


FIGURE 6-2. PC87312 Composite Serial Data

Bits 0, 1 These two bits specify the number of data bits in each transmitted or received serial character. The encoding of bits 0 and 1 is as follows:

Bit 1	Bit 0	Data Length
0	0	5 Bits
0	1	6 Bits
1	0	7 Bits
1	1	8 Bits

TABLE 6-7. PC87312 Register Summary for an Individual UART Channel

Bit No.	Register Address											
	ODLAB = 0	ODLAB = 0	1DLAB = 0	2	2	3	4	5	6	7	ODLAB = 1	1DLAB = 1
	Receiver Buffer Register (Read Only)	Transmitter Holding Register (Write Only)	Interrupt Enable Register	Interrupt Ident. Register (Read Only)	FIFO Control Register (Write Only)	Line Control Register	MODEM Control Register	Line Status Register	MODEM Status Register	Scratch Pad Register	(LS)	(MS)
	RBR	THR	IER	IIR	FCR	LCR	MCR	LSR	MSR	SCR	DLL	DLM
0	Data Bit 0 (Note 1)	Data Bit 0	Enable Received Data Available Interrupt	"0" if Interrupt Pending	FIFO Enable	Word Length Select Bit 0	Data Terminal Ready (DTR)	Data Ready (DR)	Delta Clear to Send	Bit 0	Bit 0	Bit 8
1	Data Bit 1	Data Bit 1	Enable Transmitter Holding Register Empty Interrupt	Interrupt ID Bit	RCVR FIFO Reset	Word Length Select Bit 1	Request to Send (RTS)	Overrun Error (OE)	Delta Data Set Ready	Bit 1	Bit 1	Bit 9
2	Data Bit 2	Data Bit 2	Enable Receiver Line Status Interrupt	Interrupt ID Bit	XMIT FIFO Reset	Number of Stop Bits	Out 1 Bit (Note 3)	Parity Error (PE)	Trailing Edge Ring Indicator	Bit 2	Bit 2	Bit 10
3	Data Bit 3	Data Bit 3	Enable MODEM Status Interrupt	Interrupt ID Bit (Note 2)	DMA Mode Select	Parity Enable	IRQ Enable	Framing Error (FE)	Delta Data Carrier Detect	Bit 3	Bit 3	Bit 11
4	Data Bit 4	Data Bit 4	0	0	Reserved	Even Parity Select	Loop	Break Interrupt (BI)	Clear to Send	Bit 4	Bit 4	Bit 12
5	Data Bit 5	Data Bit 5	0	0	Reserved	Stick Parity	0	Transmitter Holding Register (THRE)	Data Set Ready	Bit 5	Bit 5	Bit 13
6	Data Bit 6	Data Bit 6	0	FIFOs Enabled (Note 2)	RCVR Trigger (LSB)	Set Break	0	Transmitter Empty (TEMT)	Ring Indicator	Bit 6	Bit 6	Bit 14
7	Data Bit 7	Data Bit 7	0	FIFOs Enabled (Note 2)	RCVR Trigger (MSB)	Divisor Latch Access Bit (DLAB)	0	Error in RCVR FIFO (Note 2)	Data Carrier Detect	Bit 7	Bit 7	Bit 15

Note 1: Bit 0 is the least significant bit. It is the first bit serially transmitted or received.

Note 2: These bits are always 0 in the NS16450 Mode.

Note 3: This bit no longer has a pin associated with it.

6.0 Serial Ports (Continued)

- Bit 2** This bit specifies the number of Stop bits transmitted with each serial character. If bit 2 is a logic 0, one Stop bit is generated in the transmitted data. If bit 2 is a logic 1 when a 5-bit data length is selected, one and a half Stop bits are generated. If bit 2 is a logic 1 when either a 6-, 7-, or 8-bit word length is selected, two Stop bits are generated. The receiver checks the first Stop bit only, regardless of the number of Stop bits selected.
- Bit 3** This bit is the Parity Enable bit. When bit 3 is a logic 1, a Parity bit is generated (transmit data) or checked (receive data) between the last data bit and Stop bit of the serial data. (The Parity bit is used to produce an even or odd number of 1s when the data bits and the Parity bit are summed.)
- Bit 4** This bit is the Even Parity Select bit. When parity is enabled and bit 4 is a logic 0, an odd number of logic 1s is transmitted or checked in the data word bits and Parity bit. When parity is enabled and bit 4 is a logic 1, an even number of logic 1s is transmitted or checked.
- Bit 5** This bit is the Stick Parity bit. When parity is enabled it is used in conjunction with bit 4 to select Mark or Space Parity. When LCR bits 3, 4 and 5 are logic 1 the Parity bit is transmitted and checked as a logic 0 (Space Parity). If bits 3 and 5 are 1 and bit 4 is a logic 0 then the Parity bit is transmitted and checked as a logic 1 (Mark Parity). If bit 5 is a logic 0 Stick Parity is disabled.
- Bit 6** This bit is the Break Control bit. It causes a break condition to be transmitted to the receiving UART. When it is set to a logic 1, the serial output (SOUT) is forced to the Spacing state (logic 0). The break is disabled by setting bit 6 to a logic 0. The Break Control bit acts only on SOUT and has no effect on the transmitter logic.
- Note:** This feature enables the CPU to alert a terminal. If the following sequence is used, no erroneous characters will be transmitted because of the break.
1. Wait for the transmitter to be idle (TEMT = 1).
 2. Set break for the appropriate amount of time. If the transmitter will be used to time the break duration, then check that TEMT = 1 before clearing the Break Control bit.
 3. Clear break when normal transmission has to be restored.
- During the break, the Transmitter can be used as a character timer to accurately establish the break duration by sending characters and monitoring THRE and TEMT.
- Bit 7** This bit is the Divisor Latch Access Bit (DLAB). It must be set high (logic 1) to access the Divisor Latches of the Baud rate Generator during a Read or Write operation or to have the BOUT signal appear on the BOUT pin. It must be set low (logic 0) to access any other register.

TABLE 6-8. PC87312 UART Reset Configuration

Register Signal	Reset Control	Reset State
Interrupt Enable	Master Reset	0000 0000 (Note 1)
Interrupt Identification	Master Reset	0000 0001
FIFO Control	Master Reset	0000 0000
Line Control	Master Reset	0000 0000
MODEM Control	Master Reset	0000 0000
Line Status	Master Reset	0110 0000
MODEM Status	Master Reset	XXXX 0000 (Note 2)
SOUT	Master Reset	High
INTR (RCVR Errs)	Read LSR MR	Low/TRI-STATE
INTR (RCVR Data Ready)	Read RBR MR	Low/TRI-STATE
INTR (THRE)	Read IIR Write THR MR	Low/TRI-STATE
INTR (Modem Status Changes)	Read MSR MR	Low/TRI-STATE
Interrupt Enable Bit	Master Reset	Low
$\overline{\text{RTS}}$	Master Reset	High
$\overline{\text{DTR}}$	Master Reset	High
RCVR FIFO	MR/FCR1•FCR0/ΔFCR0	All Bits Low
XMIT FIFO	MR/FCR1•FCR0/ΔFCR0	All Bits Low

Note 1: Boldface bits are permanently low.

Note 2: Bits 7–4 are driven by the input signals.

6.0 Serial Ports (Continued)

6.3.3 Programmable Baud Rate Generator

The PC87312 contains two independently programmable Baud rate Generators. The 24 MHz crystal oscillator frequency input is divided by 13, resulting in a frequency of 1.8462 MHz. This is sent to each Baud rate Generator and divided by the divisor of the associated UART. The output frequency of the Baud rate Generator (BOUT1,2) is $16 \times$ the baud rate.

$$\text{divisor \#} = (\text{frequency input}) (\text{baud rate} \times 16)$$

The output of each Baud rate Generator drives the transmitter and receiver sections of the associated serial channel. Two 8-bit latches per channel store the divisor in a 16-bit binary format. These Divisor Latches must be loaded during initialization to ensure proper operation of the Baud rate Generator. Upon loading either of the Divisor Latches, a 16-bit Baud Counter is loaded. Table 6-9 provides decimal divisors to use with crystal frequencies of 24 MHz. The oscillator input to the chip should always be 24 MHz to ensure that the Floppy Disk Controller timing is accurate and that the UART divisors are compatible with existing software. Using a divisor of zero is not recommended.

TABLE 6-9. PC87312 UART Divisors, Baud Rates and Clock Frequencies

24 MHz Input Divided to 1.8461 MHz		
Baud Rate	Decimal Divisor for $16 \times$ Clock	Percent Error
50	2304	0.1
75	1536	—
110	1047	—
134.5	857	0.4
150	768	—
300	384	—
600	192	—
1200	96	—
1800	64	—
2000	58	0.5
2400	48	—
3600	32	—
4800	24	—
7200	16	—
9600	12	—
19200	6	—
38400	3	—
57600	2	—
115200	1	—

Note: The percent error for all baud rates, except where indicated otherwise is 0.2%.

6.3.4 Line Status Register (LSR)

This 8-bit register provides status information to the CPU concerning the data transfer. Table 6-7 shows the contents of the Line Status Register. Details on each bit follow:

Bit 0 This bit is the receiver Data Ready (DR) indicator. Bit 0 is set to a logic 1 whenever a complete incoming character has been received and transferred into the Receiver Buffer Register or the FIFO. Bit 0 is reset to a logic 0 by reading the data in the Receiver Buffer Register or the FIFO.

Bit 1 This bit is the Overrun Error (OE) indicator. Bit 1 indicates that data in the Receiver Buffer Register was not read by the CPU before the next character was transferred into the Receiver Buffer Register, thereby destroying the previous character. The OE indicator is set to a logic 1 upon detection of an overrun condition and reset whenever the CPU reads the contents of the Line Status Register. If the FIFO mode data continues to fill the FIFO beyond the trigger level, an Overrun error will occur only after the FIFO is completely full and the next character has been received in the shift register. OE is indicated to the CPU as soon as it happens. The character in the shift register is overwritten, but it is not transferred to the FIFO.

Bit 2 This bit is the Parity Error (PE) indicator. Bit 2 indicates that the received data character does not have the correct even or odd parity, as selected by the even-parity select bit. The PE bit is set to a logic 1 upon detection of a parity error and is reset to a logic 0 whenever the CPU reads the contents of the Line Status Register. In the FIFO mode this error is associated with the particular character in the FIFO that it applies to. This error is revealed to the CPU when its associated character is at the top of the FIFO.

Bit 3 This bit is the Framing Error (FE) indicator. Bit 3 indicates that the received character did not have a valid Stop bit. Bit 3 is set to a logic 1 whenever the Stop bit following the last data bit or parity bit is a logic 0 (Spacing level). The FE indicator is reset whenever the CPU reads the contents of the Line Status Register. In the FIFO mode this error is associated with the particular character in the FIFO that it applies to. This error is revealed to the CPU when its associated character is at the top of the FIFO. The UART will try to resynchronize after a framing error. To do this it assumes that the framing error was due to the next start bit, so it samples this "start" bit twice and then takes in the bits following it as the rest of the frame.

Bit 4 This bit is the Break Interrupt (BI) indicator. Bit 4 is set to a logic 1 whenever the received data input is held in the Spacing (logic 0) state for longer than a full word transmission time (that is, the total time of Start bit + data bits + Parity + Stop bits). The BI indicator is reset whenever the CPU reads the contents of the Line Status Register. In the FIFO mode this error is associated with the particular character in the FIFO that it applies to. This error is revealed to the CPU when its associated character is at the top of the FIFO. When break occurs only one character is loaded into the FIFO. Restarting after a break is received requires the SIN pin to be logical 1 for at least $\frac{1}{2}$ bit time.

Note: Bits 1 through 4 are the error conditions that produce a Receiver Line Status interrupt whenever any of the corresponding conditions are detected and that interrupt is enabled.

Bit 5 This bit is the Transmitter Holding Register Empty (THRE) indicator. Bit 5 indicates that the UART is ready to accept a new character for transmission. In addition, this bit causes the UART to issue an interrupt to the CPU when the Transmit Holding Register Empty Interrupt enable is set high. The THRE bit is

6.0 Serial Ports (Continued)

set to a logic 1 when a character is transferred from the Transmitter Holding Register into the Transmitter Shift Register. The bit is reset to logic 0 whenever the CPU loads the Transmitter Holding Register. In the FIFO mode this bit is set when the XMIT FIFO is empty; it is cleared when at least 1 byte is written to the XMIT FIFO.

Bit 6 This bit is the Transmitter Empty (TEMT) indicator. Bit 6 is set to a logic 1 whenever the Transmitter Holding Register (THR) and the Transmitter Shift Register (TSR) are both empty. It is reset to a logic 0 whenever either the THR or TSR contains a data character. In the FIFO mode this bit is set to one whenever the transmitter FIFO and the shift register are both empty.

Bit 7 In the NS16450 Mode this is a 0. In the FIFO Mode LSR7 is set when there is at least one parity error, framing error or break indication in the FIFO. LSR7 is cleared when the CPU reads the LSR, if there are no subsequent errors in the FIFO.

Note: The Line Status Register is intended for read operations only. Writing to this register is not recommended as this operation is only used for factory testing. In the FIFO mode the software must load a data byte in the Rx FIFO via the Loopback Mode in order to write to LSR2–LSR4. LSR0 and LSR7 can't be written to in FIFO Mode.

6.3.5 FIFO Control Register (FCR)

This is a write only register at the same location as the IIR (the IIR is a read only register). This register is used to enable the FIFOs, clear the FIFOs, set the RCVR FIFO trigger level, and select the type of DMA signaling.

Bit 0 Writing a 1 to FCR0 enables both the XMIT and RCVR FIFOs. Resetting FCR0 will clear all bytes in both FIFOs. When changing from FIFO Mode to NS16450 Mode and vice versa, data is automatically cleared from the FIFOs. This bit must be a 1 when other FCR bits are written to or they will not be programmed.

Bit 1 Writing a 1 to FCR1 clears all bytes in the RCVR FIFO and resets its counter logic to 0. The shift register is not cleared. The 1 that is written to this bit position is self-clearing.

Bit 2 Writing a 1 to FCR2 clears all bytes in the XMIT FIFO and resets its counter logic to 0. The shift register is not cleared. The 1 that is written to this bit position is self-clearing.

Bit 3 Writing to FCR3 causes no change in UART operations.

NOTE THAT THE $\overline{\text{TXRDY}}$ AND $\overline{\text{RXRDY}}$ PINS ARE NOT AVAILABLE IN THE PC87312.

Bits 4, 5 FCR4 to FCR5 are reserved for future use.

Bits 6, 7 FCR6 and FCR7 are used to designate the interrupt trigger level. When the number of bytes in the RCVR FIFO equals the designated interrupt trigger level, a Received Data Available Interrupt is activated. This interrupt must be enabled by setting IER0.

FCR Bits		RCVR FIFO
7	6	Trigger Level (Bytes)
0	0	01
0	1	04
1	0	08
1	1	14

6.3.6 Interrupt Identification Register (IIR)

In order to provide minimum software overhead during data character transfers, the UART prioritizes interrupts into four levels and records these in the Interrupt Identification Register. The four levels of interrupt conditions in order of priority are Receiver Line Status; Received Data Ready; Transmitter Holding Register Empty; and MODEM Status.

When the CPU accesses the IIR, the UART freezes all interrupts and indicates the highest priority pending interrupt to the CPU. While this CPU access is occurring, the UART records new interrupts, but does not change its current indication until the current access is complete. Table 6-2 shows the contents of the IIR. Details on each bit follow:

Bit 0 This bit can be used in an interrupt environment to indicate whether an interrupt condition is pending. When bit 0 is a logic 0, an interrupt is pending and the IIR contents may be used as a pointer to the appropriate interrupt service routine. When bit 0 is a logic 1, no interrupt is pending.

Bits 1, 2 These two bits of the IIR are used to identify the highest priority interrupt pending as indicated in Table 6-10.

Bit 3 In the 16450 mode this bit is 0. In the FIFO mode this bit is set along with bit 2 when a timeout interrupt is pending.

Bits 4, 5 These bits of the IIR are always logic 0.

Bits 6, 7 These two bits are set when FCR0 = 1. (FIFO Mode enabled.)

6.3.7 Interrupt Enable Register (IER)

This register enables the five types of UART interrupts. Each interrupt can individually activate the appropriate interrupt (IRQ3 or IRQ4) output signal. It is possible to totally disable the interrupt system by resetting bits 0 through 3 of the Interrupt Enable Register (IER). Similarly, setting bits of this register to a logic 1, enables the selected interrupt(s). Disabling an interrupt prevents it from being indicated as active in the IIR and from activating the interrupt output signal. All other system functions operate in their normal manner, including the setting of the Line Status and MODEM Status Registers. Table 6-7 shows the contents of the IER. Details on each bit follow. See MODEM Control Register bit 3 for more information on enabling the interrupt pin.

Bit 0 When set to logic 1 this bit enables the Received Data Available Interrupt and Timeout Interrupt in the FIFO Mode.

6.0 Serial Ports (Continued)

TABLE 6-10. PC87312 Interrupt Control Functions

FIFO Mode Only	Interrupt Identification Register			Interrupt Set and Reset Functions				
	Bit 3	Bit 2	Bit 1	Bit 0	Priority Level	Interrupt Type	Interrupt Source	Interrupt Reset Control
	0	0	0	1	—	None	None	—
	0	1	1	0	Highest	Receiver Line Status	Overrun Error, Parity Error, Framing Error or Break Interrupt	Reading the Line Status Register
	0	1	0	0	Second	Received Data Available	Receiver Data Available	Read Receiver Buffer
	1	1	0	0	Second	Character Timeout Indication	No Characters Have Been Removed from or Input to the RCVR FIFO during the Last 4 Char. Times and there is at least 1 Char. in it during this Time	Reading the Receiver Buffer Register
	0	0	1	0	Third	Transmitter Holding Register Empty	Transmitter Holding Register Empty	Reading the IIR Register (if Source of Interrupt) or Writing the Transmitter Holding Register
	0	0	0	0	Fourth	MODEM Status	Clear to Send or Data Set Ready or Ring Indicator or Data Carrier Detect	Reading the MODEM Status Register

Bit 1 This bit enables the Transmitter Holding Register Empty Interrupt when set to logic 1.

Bit 2 This bit enables the Receiver Line Status Interrupt when set to logic 1.

Bit 3 This bit enables the MODEM Status Interrupt when set to logic 1.

Bits 4–7 These four bits are always logic 0.

6.3.8 MODEM Control Register (MCR)

This register controls the interface with the MODEM or data set (or a peripheral device emulating a MODEM). The contents of the MODEM Control Register (MCR) are indicated in Table 6-7 and are described below.

Bit 0 This bit controls the Data Terminal Ready (\overline{DTR}) output. When bit 0 is set to a logic 1, the \overline{DTR} output is forced to a logic 0. When bit 0 is reset to a logic 0, the \overline{DTR} output is forced to a logic 1. In Local Loopback Mode, this bit controls bit 5 of the MODEM Status Register.

Note: The \overline{DTR} and \overline{RTS} output of the UART may be applied to an EIA inverting line driver (such as the DS1488) to obtain the proper polarity input at the MODEM or data set.

Bit 1 This bit controls the Request to Send (\overline{RTS}) output. Bit 1 affects the \overline{RTS} output in a manner identical to that described above for bit 0. In Local Loopback Mode, this bit controls bit 4 of the MODEM Status Register.

Bit 2 This bit is the OUT1 bit. It does not have an output pin associated with it. It can be written to and read by the CPU. In Local Loopback Mode, this bit controls bit 6 of the Modem Status Register.

Bit 3 This bit enables the interrupt when set. No external pin is associated with this bit other than IRQ3,4. In Local Loopback Mode, this bit controls bit 7 of the MODEM Status Register.

Bit 4 This bit provides a Local loopback feature for diagnostic testing of the UART. When bit 4 is set to logic 1, the following occur: the transmitter Serial Output (SOUT) is set to the Marking (logic 1) state; the receiver Serial Input (SIN) is disconnected; the output of the Transmitter Shift Register is “looped back” (connected) to the Receiver Shift Register; the four MODEM Control inputs (\overline{DSR} , \overline{CTS} , RI and \overline{DCD}) are disconnected; and the \overline{DTR} , \overline{RTS} , OUT1, IRQ ENABLE bits in MCR are internally connected to \overline{DSR} , \overline{CTS} , RI and \overline{DCD} in MSR, respectively. The MODEM Control output pins are forced to their high (inactive) states. In the Loopback Mode, data that is transmitted is immediately received. This feature allows the processor to verify the transmit-and-received-data paths of the serial port.

In the Loopback Mode, the receiver and transmitter interrupts are fully operational. The MODEM Status Interrupts are also operational, but the interrupts' sources are the lower four bits of MCR instead of the four MODEM control inputs. Writing a 1 to any of these 4 MCR bits will cause an interrupt. In Loopback Mode the interrupts are still controlled by the Interrupt Enable Register. The IRQ3 and 4 pins will be TRI-STATE in the Loopback Mode.

Bits 5–7 These bits are permanently set to logic 0.

6.0 Serial Ports (Continued)

6.3.9 MODEM Status Register (MSR)

This register provides the current state of the control lines from the MODEM (or peripheral device) to the CPU. In addition to this current-state information, four bits of the MODEM Status Register provide change information. These bits are set to a logic 1 whenever a control input from the MODEM changes state. They are reset to logic 0 whenever the CPU reads the MODEM Status Register. Table 6-7 shows the contents of the MSR. Details on each bit follow:

- Bit 0** This bit is the Delta Clear to Send (DCTS) indicator. Bit 0 indicates that the \overline{CTS} input to the chip has changed state since the last time it was read by the CPU.
- Bit 1** This bit is the Delta Data Set Ready (DDSR) indicator. Bit 1 indicates that the \overline{DSR} input to the chip has changed state since the last time it was read by the CPU.
- Bit 2** This bit is the Trailing Edge of Ring Indicator (TERI) detector. Bit 2 indicates that the \overline{RI} input to the chip has changed from a low to a high state.
- Bit 3** This bit is the Delta Data Carrier Detect (DDCD) indicator. Bit 3 indicates that the DCD input to the chip has changed state.
- Note:** Whenever bit 0, 1, 2, or 3 is set to logic 1, a MODEM Status Interrupt is generated.
- Bit 4** This bit is the complement of the Clear to Send (\overline{CTS}) input. If bit 4 (loopback) of the MCR is set to a 1, this bit is equivalent to RTS in the MCR.
- Bit 5** This bit is the complement of the Data Set Ready (\overline{DSR}) input. If bit 4 of the MCR is set to a 1, this bit is equivalent to DTR in the MCR.
- Bit 6** This bit is the complement of the Ring Indicator (RI) input. If bit 4 of the MCR is set to a 1, this bit is equivalent to OUT1 in the MCR.
- Bit 7** This bit is the complement of the Data Carrier Detect (DCD) input. If bit 4 of the MCR is set to a 1, this bit is equivalent to IRQ ENABLE in the MCR.

6.3.10 Scratchpad Register (SCR)

This 8-bit Read/Write Register does not control the UART in any way. It is intended as a scratchpad register to be used by the programmer to hold data temporarily.

7.0 Parallel Port

7.1 INTRODUCTION

This parallel interface is designed to provide all of the signals and registers needed to communicate through a standard parallel printer port as found in the IBM, PC, XT, AT, PS/2 and Centronics systems. The address decoding of the registers utilizing A0 and A1 is shown in Table 7-1. Table 7-3 shows the Reset states of Parallel port registers and pin signals. All bits in these registers are located in the same positions and have the same functions as the registers of the systems listed above. These registers are shown in Sections 7-2–7-4.

TABLE 7-1. Parallel Interface Register Addresses

A1	A0	Address	Register	Access
0	0	0	Data	Read/Write
0	1	1	Status	Read
1	0	2	Control	Read/Write
1	1	3	TRI-STATE	

A special back voltage protection circuit is implemented against damage that might be caused when the printer is powered but the PC87311A or PC87312 device is not.

There are two modes of operation (see Table 7-2): Compatible (PTR7 = 0) and Extended (PTR7 = 1). The Compatible mode is the same as the basic operating mode for the PC-AT and the Extended mode is identical to the PS/2 Extended mode. There are 3 features which distinguish Extended mode from Compatible Mode:

1. Port direction is controlled by the CTR5 bit.
2. The interrupt is latched on the rising edge of \overline{ACK} rather than following \overline{ACK} continuously.
3. The STR2 bit monitors the interrupt status.

In Compatible mode the direction of data flow is controlled at reset time by the PDIR pin (PDIR = 0 = output direction, and PDIR = 1 = input direction). A write operation in this mode causes the data to be presented on pins PD0–7. The read operation causes the Data Register to present the last data written to it by the CPU.

TABLE 7-2. Data Register Read and Write Modes

PTR7	PDIR	CTR5	RD	WR	Result
0	0	X	1	0	Data Written to PD0–PD7
0	1	X	1	0	Data Written is Latched
0	0	X	0	1	Data Read from the Output Latch
0	1	X	0	1	Data Read from PD0–PD7
1	X	0	1	0	Data Written to PD0–PD7
1	X	1	1	0	Data Written is Latched
1	X	0	0	1	Data Read from the Output Latch
1	X	1	0	1	Data Read from PD0–PD7

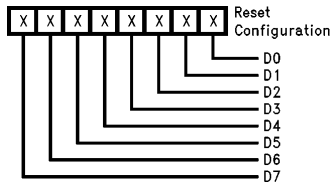
In the Extended Mode, a write operation to the Data Register causes the data to be latched. If the Data Port Direction bit (CTR5) is 0, the latched data is presented to the pins; if it is 1 the data is only latched. When Data Port Direction bit (CTR5) is 0, a read operation from the Data Register allows the CPU to read the last data it wrote to the port. In the Extended Mode with the Data Port Direction bit set to 1 (read), a read from this register causes the port to present the data on pins PD0–PD7.

TABLE 7-3. Parallel Port Mode of Operation

Port Function	PTR7	\overline{POE}
Compatible	0	1
Extended	1	0

7.0 Parallel Port (Continued)

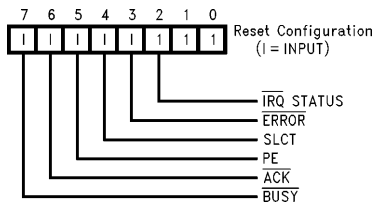
7.2 DATA REGISTER (DTR)



TL/F/11362-41

This is a bidirectional data port that transfers 8-bit data. The direction is determined by the state of PDIR pin, PTR7 bit and CTR5 bit. When PTR7 is low, the PDIR pin will be sensed during reset and it will determine the port direction. When PTR7 is high, the CTR5 bit will determine the port direction in conjunction with the Read and Write strobes. See PTR7 bit, CTR5, POE and PDIR pins for further information.

7.3 STATUS REGISTER (STR)



TL/F/11362-42

This register provides status for the signals listed below. It is a read only register. Writing to it is an invalid operation that has no effect.

Bits 0, 1 Reserved, these bits are always 1.

Bit 2 In the Compatible mode this bit is always one. In the Extended mode (PTR7 bit is 1) this bit is the $\overline{\text{IRQ STATUS}}$ bit. In Extended mode if CTR4 = 1, then this bit is latched low when the $\overline{\text{ACK}}$ signal makes a transition from 0 to 1. Reading this bit sets it to a one. This bit is the inverse of the appropriate IRQ signal pin.

Bit 3 This bit represents the current state of the printer error signal (ERROR). The printer sets this bit low when there is a printer error. This bit follows the state of the $\overline{\text{ERR}}$ pin.

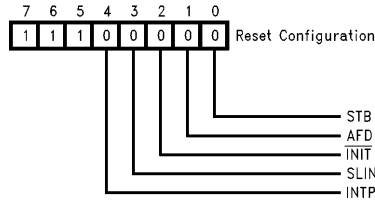
Bit 4 This bit represents the current state of the printer select signal (SLCT). The printer sets this bit high when it is selected. This bit follows the state of the SLCT pin.

Bit 5 This bit represents the current state of the printer paper end signal (PE). The printer sets this bit high when it detects the end of the paper. This bit follows the state of the PE pin.

Bit 6 This bit represents the current state of the printer acknowledge signal ($\overline{\text{ACK}}$). The printer pulses this signal low after it has received a character and is ready to receive another one. This bit follows the state of the $\overline{\text{ACK}}$ pin.

Bit 7 This bit ($\overline{\text{BUSY}}$) represents the current state of the printer busy signal. The printer sets this bit low when it is busy and cannot accept another character. This bit is the inverse of the (BUSY) pin.

7.4 CONTROL REGISTER (CTR)



TL/F/11362-43

This register provides all output signals to control the printer. It is a read and write register, **except for bit 5, which is a write-only bit.**

Bit 0 This bit (STB) directly controls the data strobe signal to the printer via the $\overline{\text{STB}}$ pin. This bit is the inverse of the $\overline{\text{STB}}$ pin.

Bit 1 This bit (AFD) directly controls the automatic feed XT signal to the printer via the $\overline{\text{AFD}}$ pin. Setting this bit high causes the printer to automatically feed after each line is printed. This bit is the inverse of the $\overline{\text{AFD}}$ pin.

Bit 2 This bit ($\overline{\text{INIT}}$) directly controls the signal to initialize the printer via the $\overline{\text{INIT}}$ pin. Setting this bit to low initializes the printer. This bit follows the $\overline{\text{INIT}}$ pin.

Bit 3 This bit (SLIN) directly controls the select in signal to the printer via the $\overline{\text{SLIN}}$ pin. Setting this bit high selects the printer. This bit is the inverse of the $\overline{\text{SLIN}}$ pin.

Bit 4 This bit enables the parallel port interrupt. Setting this bit low puts the appropriate IRQ5 or 7 into TRI-STATE. In the AT Compatible mode, when this bit is set high the appropriate IRQ signal follows the $\overline{\text{ACK}}$ signal level transitions. In the Extended mode, when this bit is set low the IRQ signal goes TRI-STATE and CLEARS any pending interrupts. Setting it high, the appropriate IRQ signal follows the $\overline{\text{ACK}}$ signal and latches high on a 0 to 1 $\overline{\text{ACK}}$'s edge transition.

Bit 5 This bit determines the parallel port direction when Extended mode is selected (PTR7 = 1). The default condition results in the parallel port being in the output direction (CTR5 = 0). In Compatible mode (PTR7 = 0) this bit is reversed and reads 1. This is a **WRITE ONLY** bit. See Table 7-2 for further details.

Bits 6, 7 Reserved. These bits are always 1.

TABLE 7-4. Parallel Port Reset States

Signal	Control Reset	State after Reset
$\overline{\text{SLIN}}$	MR	TRI-STATE
$\overline{\text{INIT}}$	MR	ZERO
$\overline{\text{AFD}}$	MR	TRI-STATE
$\overline{\text{STB}}$	MR	TRI-STATE
IRQ5, 7	MR	TRI-STATE

7.0 Parallel Port (Continued)

NOTE: Normally when the Control Register is read, the bit values are provided by the internal output data latch. These bit values can be superseded by the logic level of the STB, AFD, INIT, and SLIN pins, if these pins are forced high or low by an external voltage. In order to force these pins high or low the corresponding bits should be set to their inactive state (e.g. AFD = STB = SLIN = 0, INIT = 1).

8.0 Integrated Device Electronics Interface (IDE)

8.1 INTRODUCTION

Another key interface design facilitated through the use of the PC87311A/12 is the IDE (Intelligent Drive Electronics) Hard Disk interface. Only three buffer chips are required to construct the IDE Hard Disk Interface circuit (see *Figure 10-3*).

The IDE interface is essentially the AT bus ported to the hard drive. The hard disk controller resides on the hard drive itself. So the IDE interface circuit must provide the AT bus signals, including data bits D15–D0, address lines A3–A0, as well as the common control signals. These signals are shown on the 40-pin IDE interface header (see *Figure 10-3*).

8.2 IDE SIGNALS

Looking at the IDE interface circuit in more detail, the 'LS244 provides buffering of the control and address lines. There are four control signals, IDEHI, IDELO, HCS0, HCS1, one status signal, IOCS16, and one data signal, IDED7, required by the IDE interface. The PC87311A/12 provides all of these signals. They are summarized below.

IDEHI enables the 'LS245 octal bus transceiver for the upper data lines (D15–D8) during 16-bit read and write operations at addresses 1F0–1F7. IDEHI will activate the 'LS245 only if the IOCS16 output from the hard drive is active. IDELO enables the other 'LS245 octal bus transceiver for the lower data lines (D7–D0) during all (1F0–1F7, 3F6 and 3F7)

reads and writes. The IDED7 signal insures that the D7 data bus signal line is disabled for address 3F7 (this bit is used for the Disk Changed register on the floppy disk controller at that address). The two 'LS245 chips are used to enable or TRI-STATE the data bus signals. In the PC-AT mode the PC87311A/12 provides the two hard disk chip selects (HCS0, HCS1) for the IDE interface. The HCS0 output is active low when the 1F0–1F7 (hex) I/O address space is chosen and corresponds to the 1FX signal on the IDE header. The HCS1 output is active low when the 3F6 or 3F7 I/O addresses are chosen, and corresponds to 3FX on the IDE header. These are the two address blocks used in the PC-AT hard disk controller. The table below summarizes the addresses used by the PC-AT hard disk controller.

TABLE 8-1. IDE Registers and Their ISA Addresses

Address	Read Function	Write Function
1F0	Data	Data
1F1	Error	Features (Write Precomp)
1F2	Sector Count	Sector Count
1F3	Sector Number	Sector Number
1F4	Cylinder Low	Cylinder Low
1F5	Cylinder High	Cylinder High
1F6	Drive/Head	Drive/Head
1F7	Status	Command
3F6	Alternate Status	Device Control
3F7	Drive Address (Note)	Not Used. Data Bus TRI-STATE

Note: Data bus bit D7 is dedicated to the floppy disk controller at this address. When reading this address the floppy disk controller disk change status will be provided by bit D7. There is no write function at this address in the IDE associated with this bit.

The equations shown in *Figure 10-2* define the signals of the PC87311A/12 IDE pins. A complete IDE interface using these pins is shown in *Figure 10-3*.

9.0 Device Description

9.1 DC ELECTRICAL CHARACTERISTICS

ABSOLUTE MAXIMUM RATINGS (Notes 2 and 3)

If Military/Aerospace specified devices are required, please contact the National Semiconductor Sales Office/Distributors for availability and specifications.

Supply Voltage (V_{DD}, V_{DDA})	-0.5V to +7.0V
Supply Differential ($ V_{DD}-V_{DDA} $)	0.6V
Input Voltage (V_I)	-0.5 V_{DD} to +0.5V
Output Voltage (V_O)	-0.5 V_{DD} to +0.5V
Storage Temperature (T_{STG})	-65°C to +165°C
Power Dissipation (P_D)	1W
Lead Temperature (T_L) (Soldering, 10 seconds)	+260°C

RECOMMENDED OPERATING CONDITIONS

	Min	Typ	Max	Units
Supply Voltage (V_{DD})	4.5	5.0	5.5	V
Operating Temperature (T_A)	0		+70	°C
ESD Tolerance				
$C_{ZAP} = 100$ pF	1500			V
$R_{ZAP} = 1.5$ k Ω (Note 1)				

CAPACITANCE $T_A = 25^\circ\text{C}, f = 1$ MHz

Symbol	Parameter	Min	Typ	Max	Units
C_{IN}	Input Pin Capacitance		5	7	pF
C_{IN1}	Clock Input Capacitance		8	10	pF
C_{IO}	I/O Pin Capacitance		10	12	pF
C_O	Output Pin Capacitance		6	8	pF

DC CHARACTERISTICS Under Recommended Operating Conditions

Symbol	Parameter	Conditions	Min	Typ	Max	Units
V_{IH}	Input High Voltage		2.0		V_{DD}	V
V_{IL}	Input Low Voltage		-0.5		0.8	V
I_{CC}	V_{DD} Average Supply Current	$V_{IL} = 0.5V$ $V_{IH} = 2.4V$ No Load		15	25	mA
I_{CCSB}	V_{DD} Quiescent Supply Current in Low Power Mode	$V_{IL} = V_{SS}$ $V_{IH} = V_{DD}$ No Load		6	13	mA
I_{CCA}	V_{DDA} Average Supply Current	$V_{IL} = 0.5V$ $V_{IH} = 2.4V$ No Load		7	10	mA
I_{CCASB}	V_{DDA} Quiescent Supply Current in Low Power Mode	$V_{IL} = V_{SS}$ $V_{IH} = V_{DD}$ No Load		5	500	μA
I_{IL}	Input Leakage Current (Note 4)	$V_{IN} = V_{DD}$ $V_{IN} = V_{SS}$			10 -10	μA

Note 1: Value based on test complying with NSC SOP5-028 human body model ESD testing using the ETS-910 tester.

Note 2: Absolute Maximum Ratings are those values beyond which damage to the device may occur.

Note 3: Unless otherwise specified all voltages are referenced to ground.

Note 4: During reset the MF \bar{M} pin is rated for 10 μA , -150 μA due to an internal pull-up resistor and the $\overline{RTS1}$, 2; $\overline{SOUT1}$, 2; $\overline{DTR1}$, 2; $\overline{HCS0}$, 1; \overline{IDEHI} ; \overline{IDEHLO} are rated for 100 μA and -10 μA leakage due to internal pull-down resistors. During normal operation the \overline{BUSY} , \overline{PE} , \overline{SLCT} pins are rated for 100 μA , -10 μA due to internal pull-down resistors and the \overline{ACK} and \overline{ERR} pins are rated for 10 μA , -100 μA due to internal pull-up resistors.

9.0 Device Description (Continued)

DC CHARACTERISTICS Under Recommended Operating Conditions (Continued)

Symbol	Parameter	Conditions	Min	Typ	Max	Units
MICROPROCESSOR, PARALLEL PORT, AND IDE INTERFACE PINS						
V _{OH}	Output High Voltage	I _{OH} = -15 mA on: D0-D7, IDE _{D7} , IRQ3-IRQ7, DRQ I _{OH} = -6 mA on: PD0-PD7, DTR, RTS, SOUT, MFM, DRATE, CSOUT, IDEHI, IDELO, HCS	2.4			V
V _{OL}	Output Low Voltage	I _{OL} = 24 mA on: D0-D7, IDE _{D7} , IRQ3-IRQ7, DRQ I _{OL} = 16 mA on: PD0-PD7 I _{OL} = 12 mA on: DTR, RTS, SOUT, HCS, AFD, INIT, SLIN, STB (Note 5) I _{OL} = 6 mA on: MFM, DRATE, CSOUT, IDEHI, IDELO			0.4	V
I _{OZ}	Input TRI-STATE Leakage Current (D7-D0, IRQ3-IRQ7, DRQ)	V _{IN} = V _{DD} V _{IN} = V _{SS}			10 -10	μA
DISK INTERFACE PINS						
V _H	Input Hysteresis			250		mV
V _{OH}	Output High Voltage (Note 6)	I _{OH} = -4 mA	2.4			V
V _{OL}	Output Low Voltage	I _{OL} = 40 mA			0.4	V
I _{LKG}	Output High Leakage Current (Note 6)	V _{IN} = V _{DD} V _{IN} = V _{SS}			10 -10	μA
OSCILLATOR PIN (XTAL1/CLK)						
V _{IH}	XTAL1 Input High Voltage		2.0			V
V _{IL}	XTAL1 Input Low Voltage				0.4	V
I _{XLKG}	XTAL1 Leakage	V _{IN} = V _{DD} V _{IN} = V _{SS}			400 -400	μA

Note 5: The printer control pins—AFD, INIT, SLIN, STB are open drain pins. Use a 4.7 kΩ pull-up resistor.

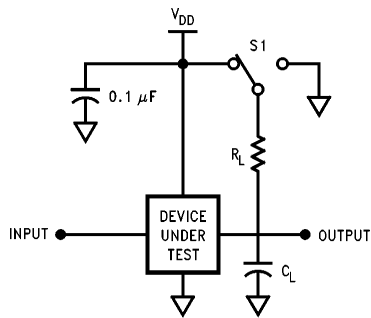
Note 6: V_{OH} for the disk interface pins is valid for CMOS buffered outputs only.

9.0 Device Description (Continued)

9.2 AC ELECTRICAL CHARACTERISTICS

9.2.1 AC Test Conditions $T_A = 0^\circ\text{C}$ to 70°C ,
 $V_{DD} = 5.0\text{V} = \pm 10\%$

LOAD CIRCUIT (Notes 1, 2, 3)



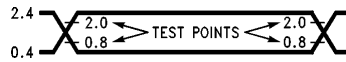
TL/F/11362-15

Note 1: $C_L = 100\text{ pF}$, includes jig and scope capacitance.

Note 2: S1 = Open for push-pull outputs. S1 = V_{DD} for high impedance to active low and active low to high impedance measurements. S1 = GND for high impedance to active high and active high to high impedance measurements. $R_L = 1.0\text{ k}\Omega$ for μP interface pins.

Note 3: For the FDC Open Drive Interface Pins S1 = V_{DD} and $R_L = 150\Omega$.

AC TESTING INPUT, OUTPUT WAVEFORM



TL/F/11362-16

9.2.2 Clock Timing

Symbol	Parameter	Min	Max	Units
t_{CH}	Clock High Pulse Width	16		ns
t_{CL}	Clock Low Pulse Width	16		ns
t_{CP}	Clock Period	40	43	ns
t_{ICP}	Internal Clock Period (Table 9-1)			
t_{DRP}	Data Rate Period (Table 9-1)			

TABLE 9-1. Nominal t_{ICP} , t_{DRP} Values

MFM Data Rate	t_{DRP}	t_{ICP}	Value	Units
1 Mb/s	1000	$3 \times t_{CP}$	125	ns
500 kb/s	2000	$3 \times t_{CP}$	125	ns
300 kb/s	3333	$5 \times t_{CP}$	208	ns
250 kb/s	4000	$6 \times t_{CP}$	250	ns

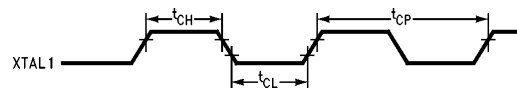


FIGURE 9-1. Clock Timing

TL/F/11362-17

9.0 Device Description (Continued)

9.2.3 Microprocessor Interface Timing

Symbol	Parameter	Min	Max	Units
t_{AR}	Valid Address to Read Active	18		ns
t_{AW}	Valid Address to Write Active	18		ns
t_{DH}	Data Hold	0		ns
t_{DS}	Data Setup	18		ns
t_{HZ}	Read to Floating Data Bus	13	25	ns
t_{PS}	Port Setup	10		ns
t_{RA}	Address Hold from Inactive Read	0		ns
t_{RCU}	Read Cycle Update	45		ns
t_{RD}	Read Strobe Width	60		ns
t_{RDH}	Read Data Hold	10		ns
t_{RI}	Read Strobe to Clear IRQ6		55	ns
t_{RVD}	Active Read to Valid Data		55	ns
t_{WA}	Address Hold from Inactive Write	0		ns
t_{WCU}	Write Cycle Update	45		ns
t_{WI}	Write Strobe to Clear IRQ6		55	ns
t_{WO}	Write Data to Port Update		40	ns
t_{WR}	Write Strobe Width	60		ns
RC	Read Cycle = $t_{AR} + t_{RD} + t_{RC}$	123		ns
WC	Write Cycle = $t_{AW} + t_{WR} + t_{WC}$	123		ns

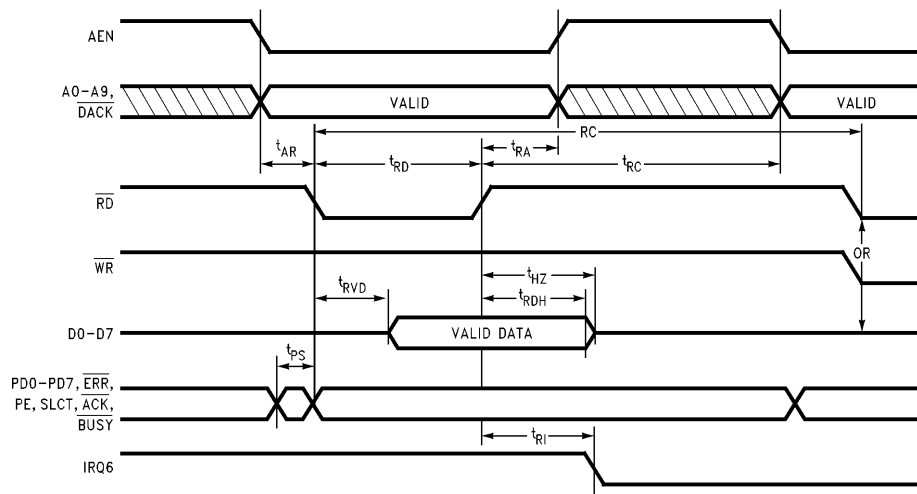
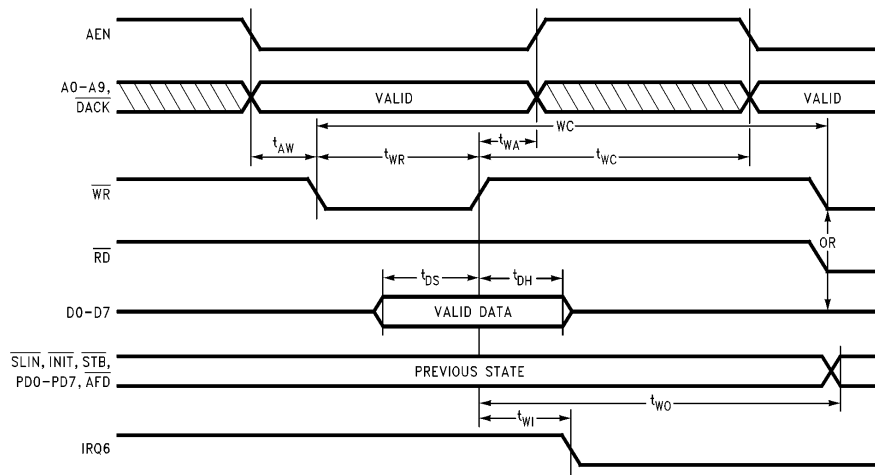


FIGURE 9-2. Microprocessor Read Timing

TL/F/11362-18

9.0 Device Description (Continued)

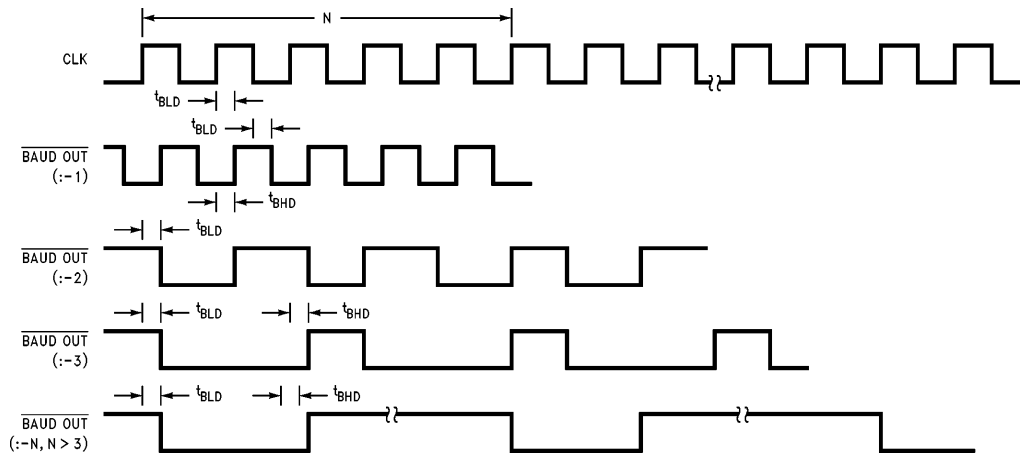


TL/F/11362-19

FIGURE 9-3. Microprocessor Write Timing

9.2.4 Baudout Timing

Symbol	Parameter	Conditions	Min	Max	Units
N	Baud Divisor		1	65535	ns
t_{BHD}	Baud Output Positive Edge Delay	CLK = 24 MHz/2, 100 pF Load		56	ns
t_{BLD}	Baud Output Negative Edge Delay	CLK = 24 MHz/2, 100 pF Load		56	ns



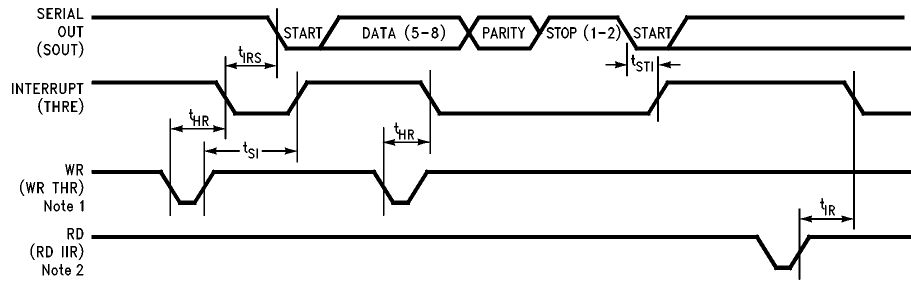
TL/F/11362-20

FIGURE 9-4. Baudout Timing

9.0 Device Description (Continued)

9.2.5 Transmitter Timing

Symbol	Parameter	Min	Max	Units
t_{HR}	Delay from \overline{WR} (WR THR) to Reset IRQ		55	ns
t_{IR}	Delay from \overline{RD} (RD IIR) to Reset IRQ (THRE)		55	ns
t_{IRS}	Delay from Initial IRQ Reset to Transmit Start	8	24	BAUDOUT Cycles
t_{SI}	Delay from Initial Write to IRQ	16	24	BAUDOUT Cycles
t_{STI}	Delay from Start Bit to IRQ (THRE)		8	BAUDOUT Cycles



TL/F/11362-21

Note 1: See Write cycle timing, Figure 9-3.

Note 2: See Read cycle timing, Figure 9-2.

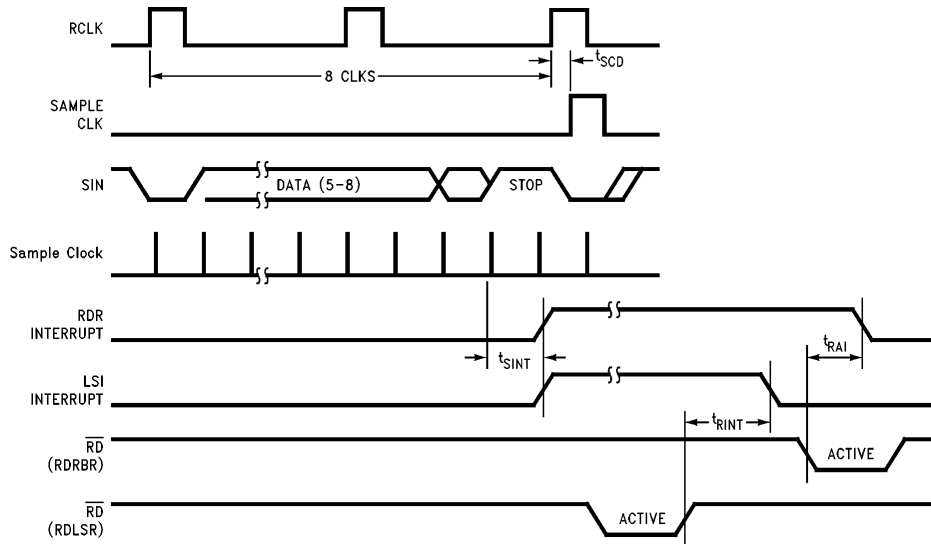
FIGURE 9-5. Transmitter Timing

9.0 Device Description (Continued)

9.2.6 Receiver Timing

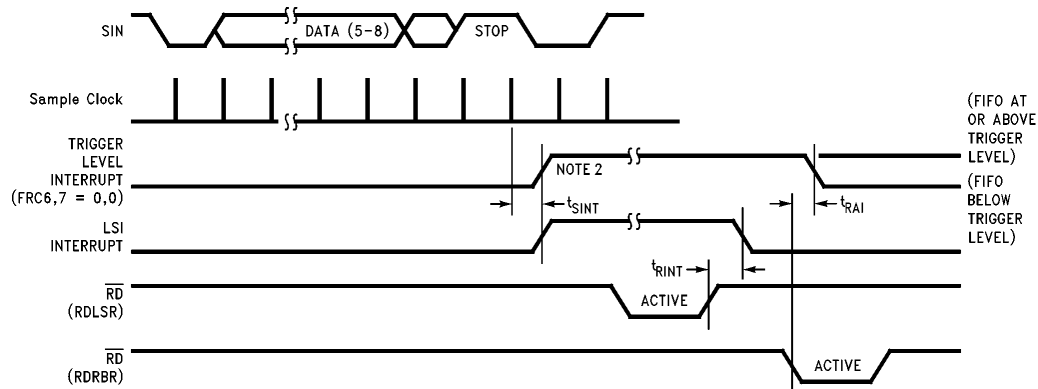
Symbol	Parameter	Conditions	Min	Max	Units
t_{RAI}	Delay from Active Edge of \overline{RD} to Reset IRQ			78	ns
t_{RINT}	Delay from Inactive Edge of \overline{RD} (RD LSR) to Reset IRQ			40	ns
t_{SCD}	Delay from RCLK to Sample Time	(Note 1)		41	ns
t_{SINT}	Delay from Stop Bit to Set Interrupt			2	BAUDOUT Cycles

Note 1: This is an internal timing and is therefore not tested.



TL/F/11362-22

FIGURE 9-6a. Receiver Timing

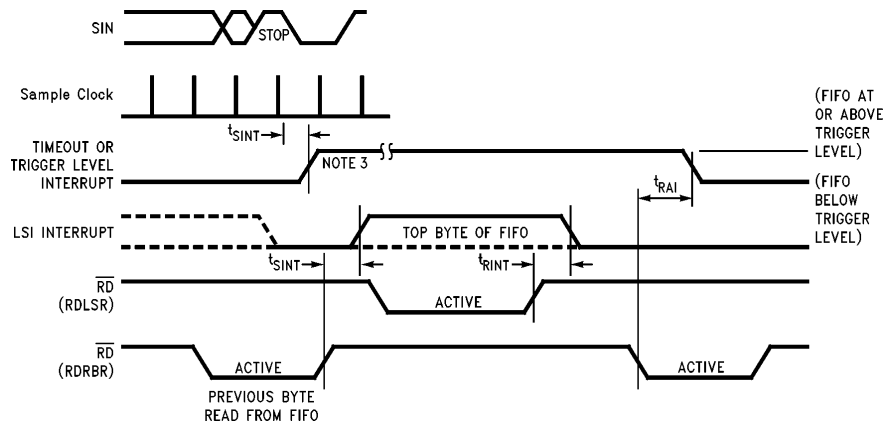


TL/F/11362-23

Note 2: If $SCR0 = 1$, then $t_{SINT} = 3$ RCLKs. For a Timeout interrupt, $t_{SINT} = 8$ RCLKs.

FIGURE 9-6b. PC87312 FIFO Mode Receiver Timing

9.0 Device Description (Continued)



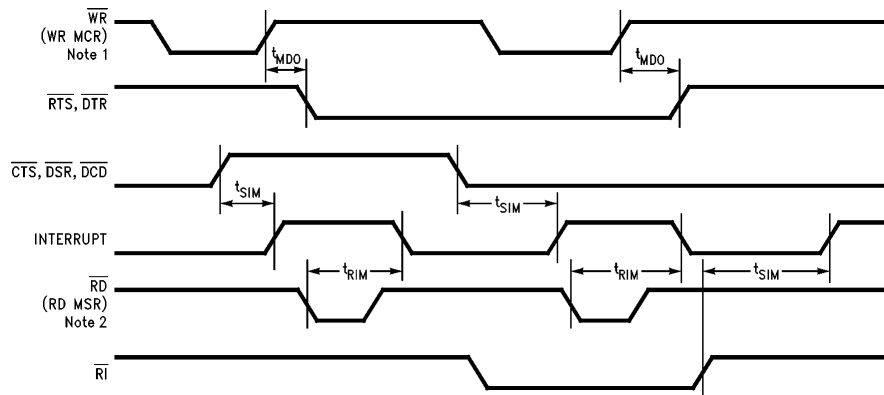
TL/F/11362-24

Note 3: If $SCR0 = 1$, then $t_{SINT} = 3$ RCLKs. For a Timeout interrupt, $t_{SINT} = 8$ RCLKs.

FIGURE 9-6c. PC87312 Timeout Receiver Timing

9.2.7 MODEM Control Timing

Symbol	Parameter	Conditions	Min	Max	Units
t_{MDO}	Delay from \overline{WR} (WR MCR) to Output			40	ns
t_{RIM}	Delay to Reset IRQ from \overline{RD} (RD MSR)			78	ns
t_{SIM}	Delay to Set IRQ from MODEM Input			40	ns



TL/F/11362-25

Note 1: See Write cycle timing, Figure 9-3.

Note 2: See Read cycle timing, Figure 9-2.

FIGURE 9-7. MODEM Control Timing

9.0 Device Description (Continued)

9.2.8 DMA Timing

Symbol	Parameter	Min	Max	Units
t_{KI}	\overline{DACK} Inactive Pulse Width	25		ns
t_{KK}	\overline{DACK} Active Pulse Width	65		ns
t_{KQ}	\overline{DACK} Active Edge to DRQ Inactive		65	ns
t_{QK}	DRQ to \overline{DACK} Active Edge	10		ns
t_{QP}	DRQ Period (except Non-Burst DMA)	$8 \times t_{DRP}$		μ s
t_{QQ}	DRQ Inactive Non-Burst Pulse Width	300	400	ns
t_{QR}	DRQ to \overline{RD} , \overline{WR} Active	15		ns
t_{QW}	DRQ to End of \overline{RD} , \overline{WR} (Note 2) (DRQ Service Time)		$(8 \times t_{DRP} - 16 \times t_{ICP})$	μ s
t_{QT}	DRQ to TC Active (Note 2) (DRQ Service Time)		$(8 \times t_{DRP} - 16 \times t_{ICP})$	μ s
t_{RQ}	\overline{RD} , \overline{WR} Active Edge to DRQ Inactive (Note 1)		65	ns
t_{TQ}	TC Active Edge to DRQ Inactive		75	ns
t_{TT}	TC Active Pulse Width	50		ns

Note 1: The active edge of \overline{RD} or \overline{WR} is recognized only when \overline{DACK} is active.

Note 2: Values shown are with the FIFO disabled, or with FIFO enabled and THRESH = 0. For non-zero values of THRESH, add $(\text{THRESH} \times 8 \times t_{DRP})$ to the values shown.

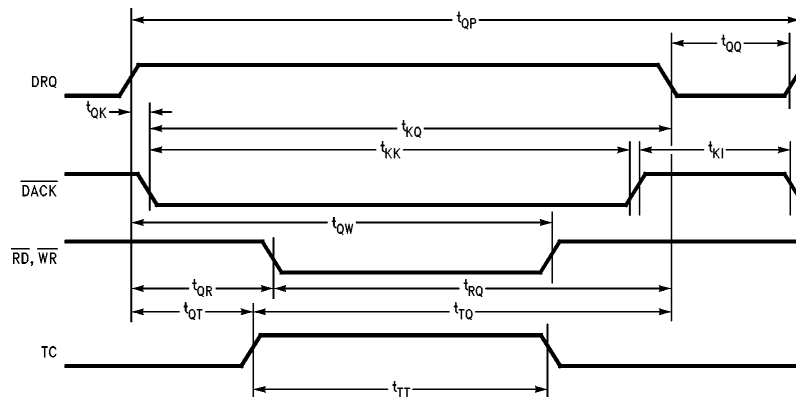


FIGURE 9-8. DMA Timing

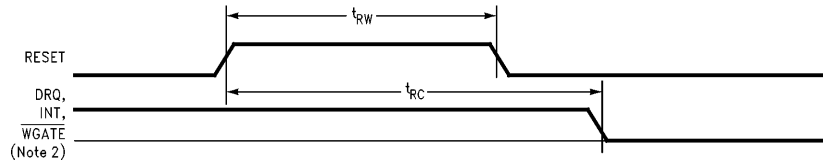
TL/F/11362-26

9.0 Device Description (Continued)

9.2.9 Reset Timing

Symbol	Parameter	Min	Max	Units
t_{RW}	Reset Width (Note 1)	100		ns
t_{RC}	Reset to Control Inactive		300	ns

Note 1: The software reset pulse width is 100 ns. The hardware reset pulse width with an external 10 k Ω pull-up or pull-down resistor on the MFM pin is 100 ns. When using the internal pull-up resistor on the MFM pin, the hardware reset pulse width is 170 ns (assumes no pF load).



TL/F/11362-27

Note 2: DRQ and IRQ6 will be TRI-STATE after time t_{RC} when in the AT or Model 30 mode.

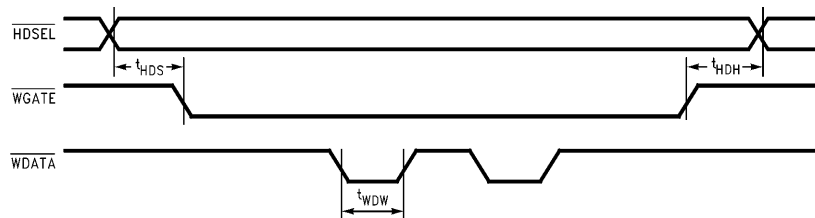
FIGURE 9-9. Reset Timing

9.2.10 Write Data Timing

Symbol	Parameter	Min	Max	Units
t_{HDH}	HDSEL Hold from WGATE Inactive	750		μ s
t_{HDS}	HDSEL Setup to WGATE Active	100		μ s
t_{WDW}	Write Data Pulse Width	Table 9-2		ns

TABLE 9-2. Minimum t_{WDW} Values

Data Rate	t_{DRP}	t_{WDW}	t_{WDW} Value	Units
1 Mb/s	1000	$2 \times t_{ICP}$	250	ns
500 kb/s	2000	$2 \times t_{ICP}$	250	ns
300 kb/s	3333	$2 \times t_{ICP}$	375	ns
250 kb/s	4000	$2 \times t_{ICP}$	500	ns



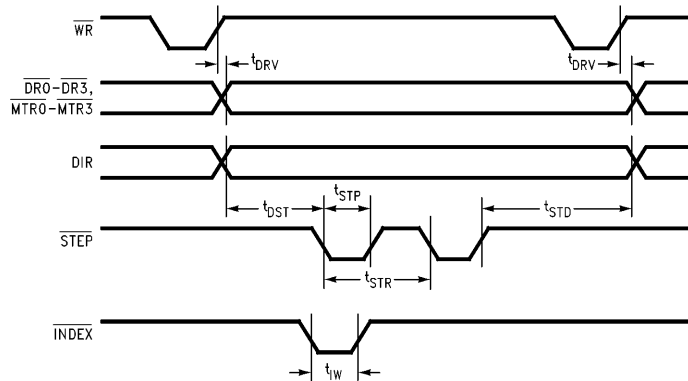
TL/F/11362-28

FIGURE 9-10. Write Data Timing

9.0 Device Description (Continued)

9.2.11 Drive Control Timing

Symbol	Parameter	Min	Max	Units
t_{DRV}	DR0–DR3, MTR0–MTR3 from End of \overline{WR}		100	ns
t_{DST}	DIR Setup to STEP Active	6		μ s
t_{IW}	Index Pulse Width	100		ns
t_{STD}	DIR Hold from STEP Inactive	t_{STR}		ms
t_{STP}	STEP Active High Pulse Width	8		μ s
t_{STR}	STEP Rate Time (see Table 4-13)	1		ms

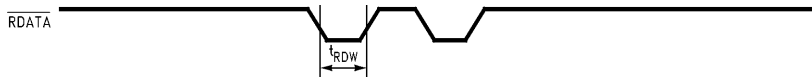


TL/F/11362–29

FIGURE 9-11. Drive Control Timing

9.2.12 Read Data Timing

Symbol	Parameter	Min	Max	Unit
t_{RDW}	Read Data Pulse Width	50		ns

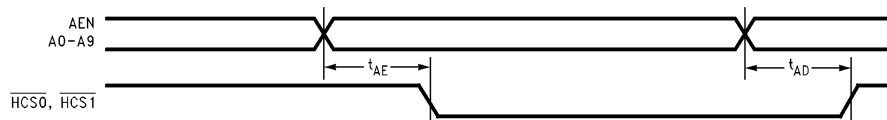


TL/F/11362–30

FIGURE 9-12. Read Data Timing

9.2.13 IDE Timing

Symbol	Parameter	Min	Max	Units
t_{AD}	Delay from Address to Disable Strobe		25	ns
t_{AE}	Delay from Address to Enable Strobe		25	ns



TL/F/11362–31

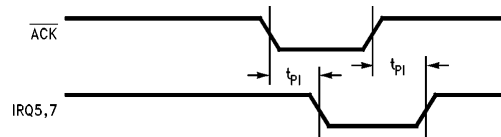
FIGURE 9-13. IDE Timing

9.0 Device Description (Continued)

9.2.14 Parallel Port Timing

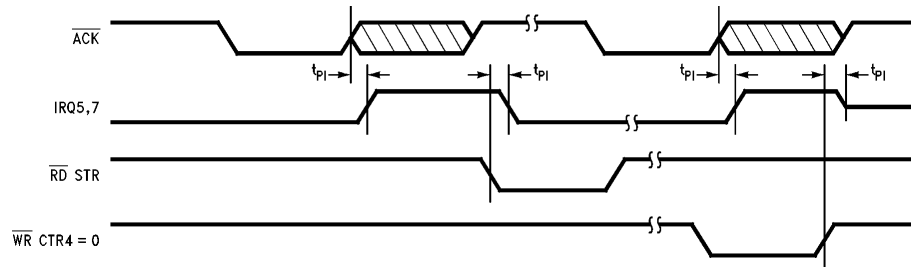
Symbol	Parameter	Conditions	Typ	Max	Units
t_{PDH}	Port Data Hold	(Note 1)	500		ns
t_{PDS}	Port Data Setup	(Note 1)	500		ns
t_{PI}	Port Interrupt			33	ns
t_{SW}	Strobe Width	(Note 1)	500		ns

Note 1: These times are system dependent and are therefore not tested.



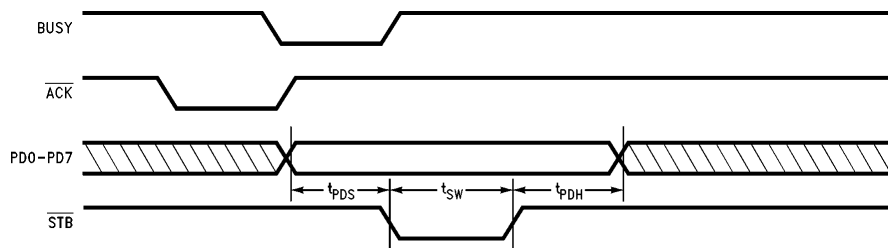
TL/F/11362-32

FIGURE 9-14. Parallel Port Interrupt Timing (Compatible Mode)



TL/F/11362-33

FIGURE 9-15. Parallel Port Interrupt Timing (Extended Mode)



TL/F/11362-34

FIGURE 9-16. Typical Parallel Port Data Exchange

10.0 Reference

10.1 MNEMONIC DEFINITIONS FOR FDC COMMANDS

Symbol	Description
BFR	Buffer enable bit used in the Mode command. Enabled open-collector output buffers.
BST	Burst Mode disable control bit used in Mode command. Selects the Non-Burst FIFO mode if the FIFO is enabled.
DC0	Drive Configuration 0–3. Used to set DC1a drive to conventional or perpendicular DC2 mode. Used in Perpendicular Mode DC3 command.
DENSEL	Density Select control bits used in the Mode command.
DIR	Direction control bit used in Relative Seek command to indicate step in or out.
DMA	DMA mode enable bit used in the Specify command.
DR0	Drive Select 0–1 bits used in most commands. Selects the logical drive.
DTL	Data Length parameter used in the Read, Write, Scan and Verify commands.
EC	Enable Count control bit used in the Verify command. When this bit is 1, the DTL parameter becomes SC (Sector Count).
EIS	Enable Implied Seeks. Used in the Configure command.
EOT	End of Track parameter set in the Read, Write, Scan, and Verify commands.
ETR	Extended Track Range used with the Seek command.
FIFO	First-In First-Out buffer. Also a control bit used in the Configure command to enable or disable the FIFO.
FRD	FIFO Read disable control bit used in the Mode command.
FWR	FIFO Write disable control bit used in the Mode command.
GAP	GAP2 control bit used in the Perpendicular Mode command.
HD	Head Select control bit used in most commands. Selects Head 0 or 1 of the disk.
IAF	Index Address Field control bit used in the Mode command. Enables the ISO Format during the Format command.
IPS	Implied Seek enable bit used in the Mode, Read, Write, and Scan commands.
LOCK	Lock enable bit in the Lock command. Used to make certain parameters unaffected by a software reset.
LOW PWR	Low Power control bits used in the Mode command.
MFM	Modified Frequency Modulation control bit used in the Read, Write, Format, Scan and Verify commands. Selects MFM or FM data encoding.
MFT	Motor Off Time programmed in the Specify command.
MNT	Motor On Time programmed in the Specify command.
MT	Multi-Track enable bit used in the Read, Write, Scan and Verify commands.
OW	Overwrite control bit used in the Perpendicular Mode command.
POLL	Enable Drive Polling bit used in the Configure command.
PRETRK	Precompensation Track Number used in the Configure command.
PTR	Present Track Register. Contains the internal track number for one of the four logical disk drives.
PU	Pump diagnostic enable bit used in the Mode command.
R255	Recalibrate control bit used in Mode command. Sets maximum recalibrate step pulses to 255.
RG	Read Gate diagnostic enable bit used in the Mode command.
RTN	Relative Track Number used in the Relative Seek command.
SC	Sector Count control bit used in the Verify command.
SK	Skip control bit used in read and scan operations.
SRT	Step Rate Time programmed in the Specify command. Determines the time between step pulses for seek and recalibrates.
ST0	Status Register 0–3. Contains status ST1 information about the execution of a ST2 command. Read in the Result Phase of ST3 some commands.
THRESH	FIFO threshold parameter used in the Configure command.
TMR	Timer control bit used in the Mode command. Affects the timers set in the Specify command.
WG	Write Gate control bit used in the Perpendicular Mode command.
WLD	Wildcard bit in the Mode command used to enable or disable the wildcard byte (FF) during Scan commands.

10.0 Reference (Continued)

10.2 EXAMPLE FOUR DRIVE CIRCUIT USING THE PC87311A/12

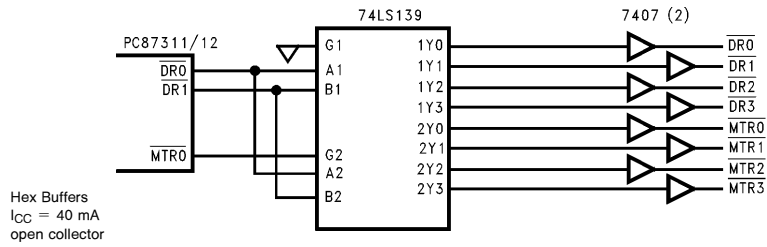


FIGURE 10-1. PC87311A/12 Four Floppy Drive Circuit

TABLE 10-1. PC87311A/12 Four Floppy Drive Encoding

MTR0	DR1	DR0	Result
0	0	0	$\overline{\text{DRV0}}$ and $\overline{\text{MTR0}}$ Active
0	0	1	$\overline{\text{DRV1}}$ and $\overline{\text{MTR1}}$ Active
0	1	0	$\overline{\text{DRV2}}$ and $\overline{\text{MTR2}}$ Active
0	1	1	$\overline{\text{DRV3}}$ and $\overline{\text{MTR3}}$ Active
1	0	0	$\overline{\text{DRV0}}$ Active and $\overline{\text{MTR0}}$ Inactive
1	0	1	$\overline{\text{DRV1}}$ Active and $\overline{\text{MTR1}}$ Inactive
1	1	0	$\overline{\text{DRV2}}$ Active and $\overline{\text{MTR2}}$ Inactive
1	1	1	$\overline{\text{DRV3}}$ Active and $\overline{\text{MTR3}}$ Inactive

The equations shown in Figure 10-2 define the signals of the PC87311A/12 IDE pins for primary IDE addresses. A complete IDE interface using these pins is shown in Figure 10-3.

Equations	Comments
$\overline{\text{HCS0}} = \overline{\text{A9}} * \overline{\text{A8}} * \overline{\text{A7}} * \overline{\text{A6}} * \overline{\text{A5}} * \overline{\text{A4}} * \overline{\text{A3}} * \overline{\text{AEN}}$	Active at 1F0-1F7
$\overline{\text{HCS1}} = \overline{\text{A9}} * \overline{\text{A8}} * \overline{\text{A7}} * \overline{\text{A6}} * \overline{\text{A5}} * \overline{\text{A4}} * \overline{\text{A3}} * \overline{\text{A2}} * \overline{\text{A1}} * \overline{\text{AEN}}$	Active at 3F6, 3F7
$\overline{\text{IDEL0}} = [\overline{\text{HCS0}} * (\overline{\text{RD}} + \overline{\text{WR}})] + \{ \overline{\text{HCS1}} * [(\overline{\text{WR}} * \overline{\text{A0}}) + \overline{\text{RD}}] \}$	Write 1F0-1F7, 3F6; Read 1F0-1F7, 3F6, 3F7
$\overline{\text{IDEHI}} = \overline{\text{IOCS16}} * \overline{\text{HCS0}} * (\overline{\text{RD}} + \overline{\text{WR}}) * \text{SELAT}$	Read or Write 1F0-1F7 in AT Mode
$\text{IDED7 (read)} = [\overline{\text{HCS0}} * \overline{\text{RD}}] + [(\overline{\text{HCS1}} * \overline{\text{A0}}) * \overline{\text{RD}}]$	Sources D7 during Read 1F0-1F7 and 3F6
$\text{IDED7 (write)} = \overline{\text{WR}} * [\overline{\text{HCS0}} + (\overline{\text{HCS1}} * \overline{\text{A0}})]$	D7 during Write 1F0-1F7 and 3F6

FIGURE 10-2. IDE Interface Signal Equations

10.0 Reference (Continued)

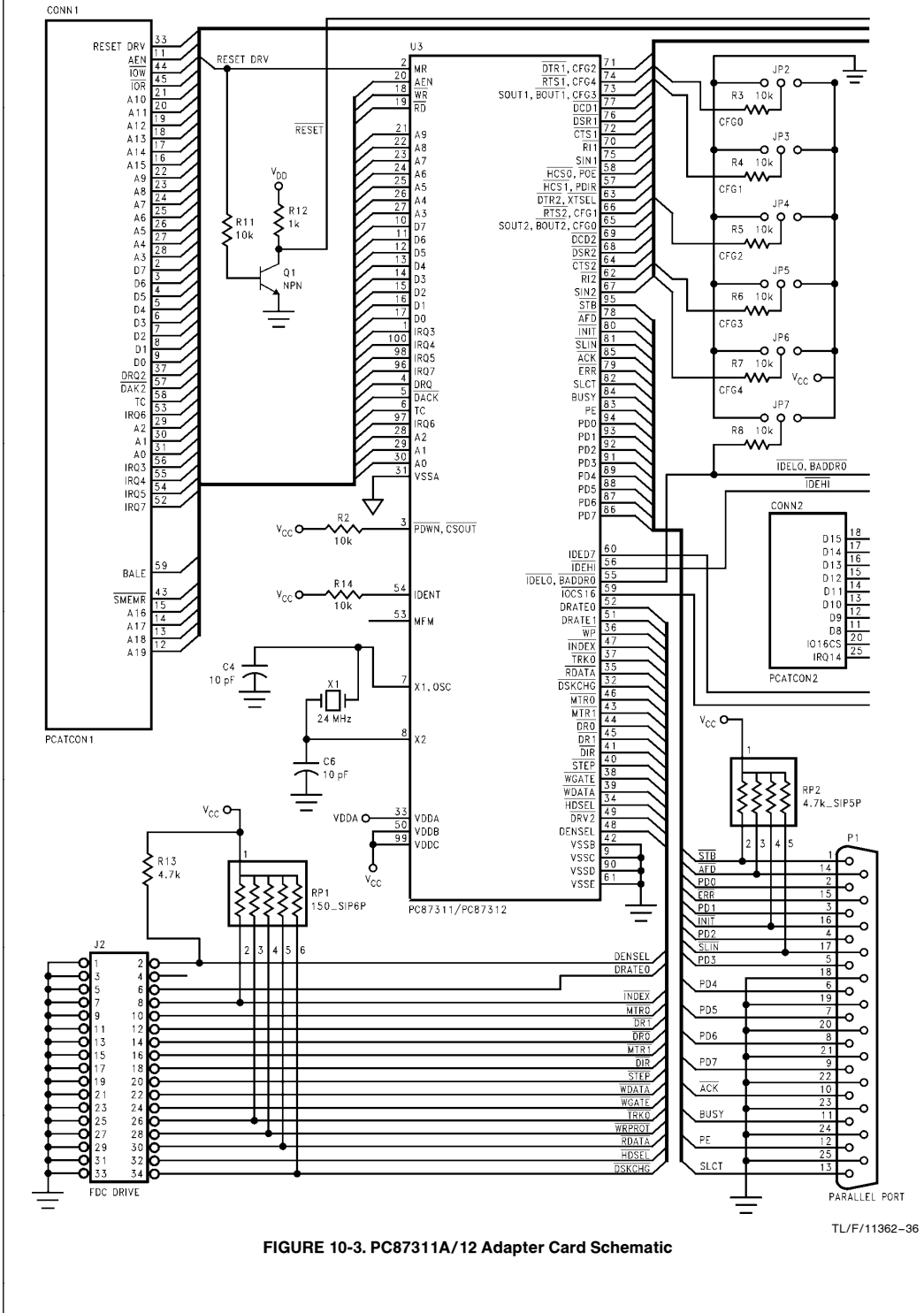


FIGURE 10-3. PC87311A/12 Adapter Card Schematic

TL/F/11362-36

10.0 Reference (Continued)

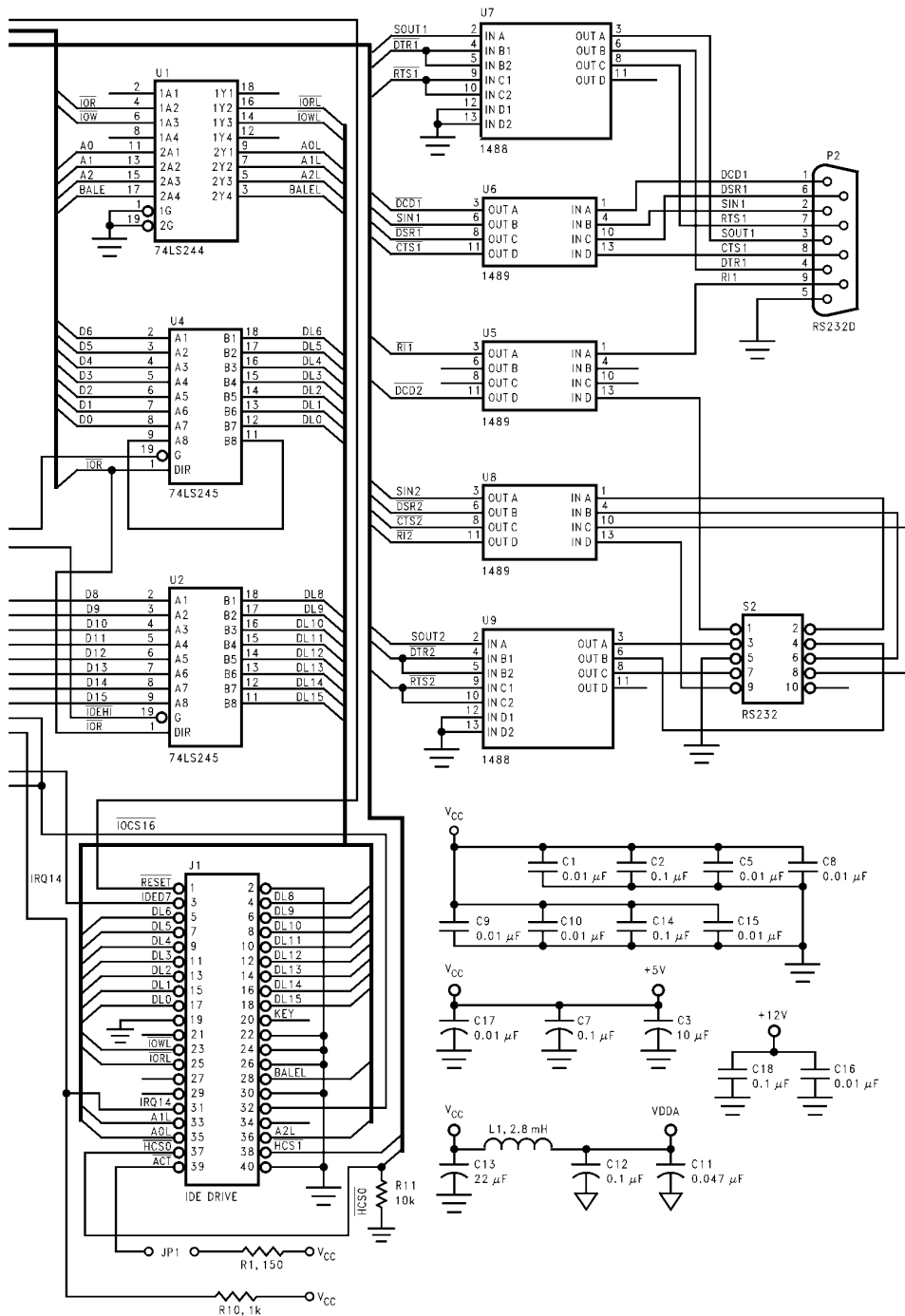
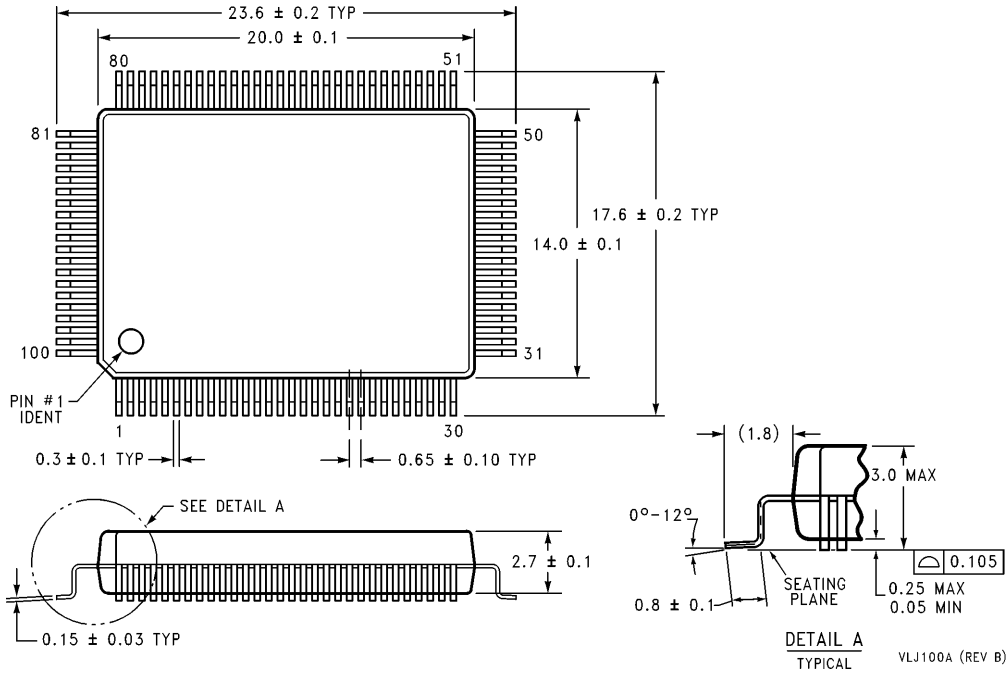


FIGURE 10-3. PC87311A/12 Adapter Card Schematic (Continued)

TL/F/11362-37

PC87311A/PC87312 (SuperI/O II/III) Floppy Disk Controller with Dual UARTs, Parallel Port, and IDE Interface

Physical Dimensions inches (millimeters)



Plastic Quad Flatpak, EIAJ
Order Number PC87311AVF or PC87312VF
NS Package Number VLJ100A

LIFE SUPPORT POLICY

NATIONAL'S PRODUCTS ARE NOT AUTHORIZED FOR USE AS CRITICAL COMPONENTS IN LIFE SUPPORT DEVICES OR SYSTEMS WITHOUT THE EXPRESS WRITTEN APPROVAL OF THE PRESIDENT OF NATIONAL SEMICONDUCTOR CORPORATION. As used herein:

1. Life support devices or systems are devices or systems which, (a) are intended for surgical implant into the body, or (b) support or sustain life, and whose failure to perform, when properly used in accordance with instructions for use provided in the labeling, can be reasonably expected to result in a significant injury to the user.
2. A critical component is any component of a life support device or system whose failure to perform can be reasonably expected to cause the failure of the life support device or system, or to affect its safety or effectiveness.



National Semiconductor Corporation
 2900 Semiconductor Drive
 P.O. Box 58090
 Santa Clara, CA 95052-8090
 Tel: 1(800) 272-9959
 TWX: (910) 339-9240

National Semiconductor GmbH
 Livny-Gargan-Str. 10
 D-82256 Fürstenfeldbruck
 Germany
 Tel: (81-41) 35-0
 Telex: 527849
 Fax: (81-41) 35-1

National Semiconductor Japan Ltd.
 Sumitomo Chemical
 Engineering Center
 Bldg. 7F
 1-7-1, Nakase, Mihama-Ku
 Chiba-City,
 Chiba Prefecture 261
 Tel: (043) 299-2300
 Fax: (043) 299-2500

National Semiconductor Hong Kong Ltd.
 13th Floor, Straight Block,
 Ocean Centre, 5 Canton Rd.
 Tsimshatsui, Kowloon
 Hong Kong
 Tel: (852) 2737-1600
 Fax: (852) 2736-9960

National Semicondutores Do Brazil Ltda.
 Rue Deputado Lacorda Franco
 120-3A
 Sao Paulo-SP
 Brazil 05418-000
 Tel: (55-11) 212-5066
 Telex: 391-1131931 NSBR BR
 Fax: (55-11) 212-1181

National Semiconductor (Australia) Pty. Ltd.
 Building 16
 Business Park Drive
 Monash Business Park
 Nottinghill, Melbourne
 Victoria 3168 Australia
 Tel: (3) 558-9999
 Fax: (3) 558-9998

National does not assume any responsibility for use of any circuitry described, no circuit patent licenses are implied and National reserves the right at any time without notice to change said circuitry and specifications.