

## Ultra Slim Minature PCB Power Relay

## PC466



### FEATURES

- 5 Amp continous contact capacity
- Ultra Slim Minature design
- Sensitive .2 w coil
- 4 Kv dielectric between coil and contacts
- 6 KV surge voltage
- Class "B" insulation standard
- Sealed, immersion cleanable



File # E86876

### UL/CUR RATINGS

Load Type	Resistive Load ( Power Factor = 1 )
Rated Load	5 amps at 250 VAC, 30 VDC
Max Switching Power	150 W / 1250 VA
Max Switching Voltage	250 VAC / 30 VDC

### CONTACT DATA

Material		AgCdO (Silver Cadmium Oxide)
Initial Contact Resistance		100 milliohms max @ 0.1A, 6VDC
Service Life	Mechanical	2 X 10 <sup>7</sup> Operations
	Electrical	1 X 10 <sup>5</sup> Operations

### CHARACTERISTICS

Operate Time	10 ms. Max.
Release Time	5 ms. Max.
Insulation Resistance	1000 megohms min, at 500VDC, 50%RH
Dielectric Strength	3000 Vrms, 1 min. between coil and contacts 750 Vrms, 1 min. between open contacts
Shock Resistance	10 g, 11ms, functional; 100 g, destructive
Vibration Resistance	DA 1.6 mm, 10 - 55 Hz
Power Consumption	.2 W
Ambient Temperature Range	-25 to 70 C operating for class B, -25 to 130 C storage
Weight	3 grams approx.

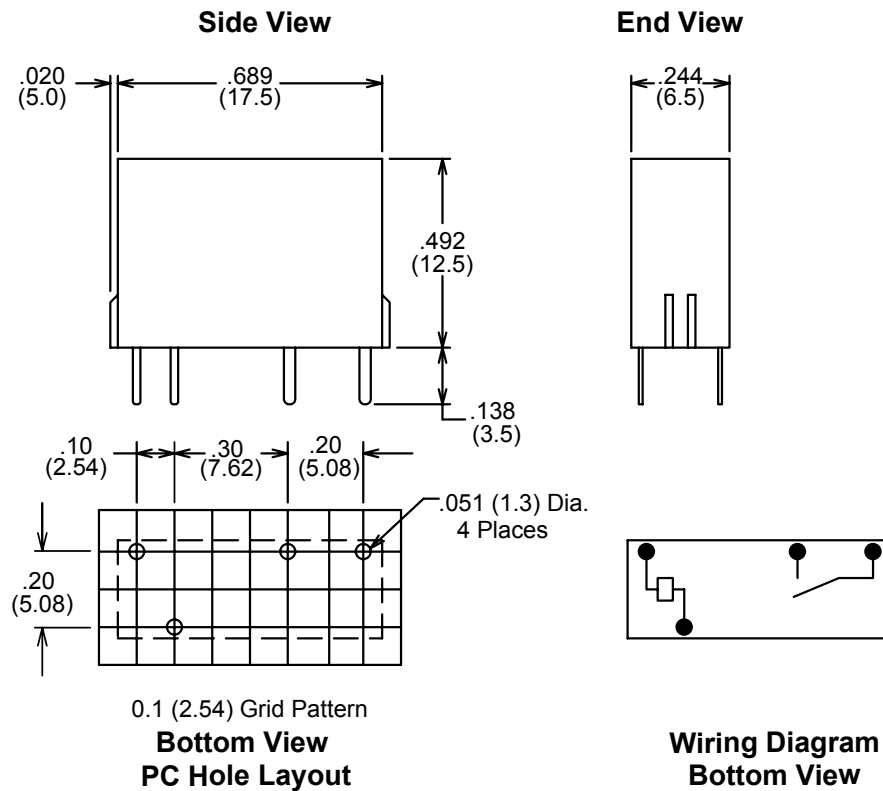
### ORDERING INFORMATION

Example:	PC466	-1A	-12	S
Model				
Contact Form				
1A				
Coil Voltage				
Enclosure				
S: Sealed; C: Flux Free				

**COIL DATA**

Coil Voltage	Resistance ohms $\pm 10\%$	Must Operate Voltage Max. (VDC)	Must Release Voltage Min. (VDC)	Continuous Voltage Max. (VDC)
5	125	3.5	0.5	5.5
12	720	8.4	1.2	13.2
24	2880	16.8	2.4	26.4

**Dimensions in Inches (millimeters)**  
**Drawings are 2X actual size**



Notes:

Tolerances  $\pm .010$  unless otherwise noted



3220 Commander Drive, Suite 102, Carrollton, Texas 75006

Sales: Call Toll Free (888) 997-3933 Fax (818) 342-5296 email: pickerwest@sbcglobal.net URL: pickercomponents.com