



## PC4004G-O (40x4) Character LCD Display

### Features

- \*40 Character, 4 Line
- \*View Angle 12H or 6H
- \*STN Gray, Yellow or Blue
- \*LED B/L available
- \*Extended Temperature available
- \*RoHS Compliant

### Absolute Maximum Ratings at T<sub>A</sub> = 25°C

Item	Symbol	Min	Max	Unit
Power Supply (Logic)	Vdd	-0.3	7.0	V
Power Supply (LCD)	Vo	-13.5	+0.3	V
Input Voltage	Vi	- 0.3	Vdd +0.3	V
Operating Temperature (Standard)	Topr	0	50	°C
Storage Temperature (Standard)	Tstg	- 20	70	°C
Extended Operating Temperature	Topr	- 20	70	°C
Extended Storage Temperature	Tstg	- 30	80	°C

### Electrical Characteristics at T<sub>A</sub> = 25°C, Vdd=5V±0.25V

Item	Symbol	Min	Typ	Max	Unit
Power Supply (Logic)	Vdd	4.5	5.0	5.5	V
Supply Current (Logic)	Idd	5.5	6.0	8.0	mA
LCD Driving Voltage	Vdd -Vo	8.5	9.0	9.5	V
LCD Supply Current	I <sub>lcd</sub>	-	0.3	0.7	V

### Interface Pin Connection

No	Symbol	Function	No	Symbol	Function
1	NC	No Connection	14	Vss	Power Supply (GND)
2	NC	No Connection	15	DB2	Data Bus Line 2
3	E2	Enable Signal for Chip (2)	16	Vss	Power Supply (GND)
4	NC	No Connection	17	DB3	Data Bus Line 3
5	R/W	Instruction/Register Select	18	Vss	Power Supply (GND)
6	NC	No Connection	19	DB4	Data Bus Line 4
7	RS	Read/Write	20	K	Power Supply for LED Backlight (-)
8	Vss	Power Supply (GND)	21	DB5	Data Bus Line 5
9	E1	Enable Signal for Chip (1)	22	Vdd	Power Supply (+5V)
10	Vss	Power Supply (GND)	23	DB6	Data Bus Line 6
11	DB0	Data Bus Line 0	24	Vdd	Power Supply (+5V)
12	Vss	Power Supply (GND)	25	DB7	Data Bus Line 7
13	DB1	Data Bus Line 1	26	A	Power Supply for LED Backlight (+)

### LED Backlight Specifications

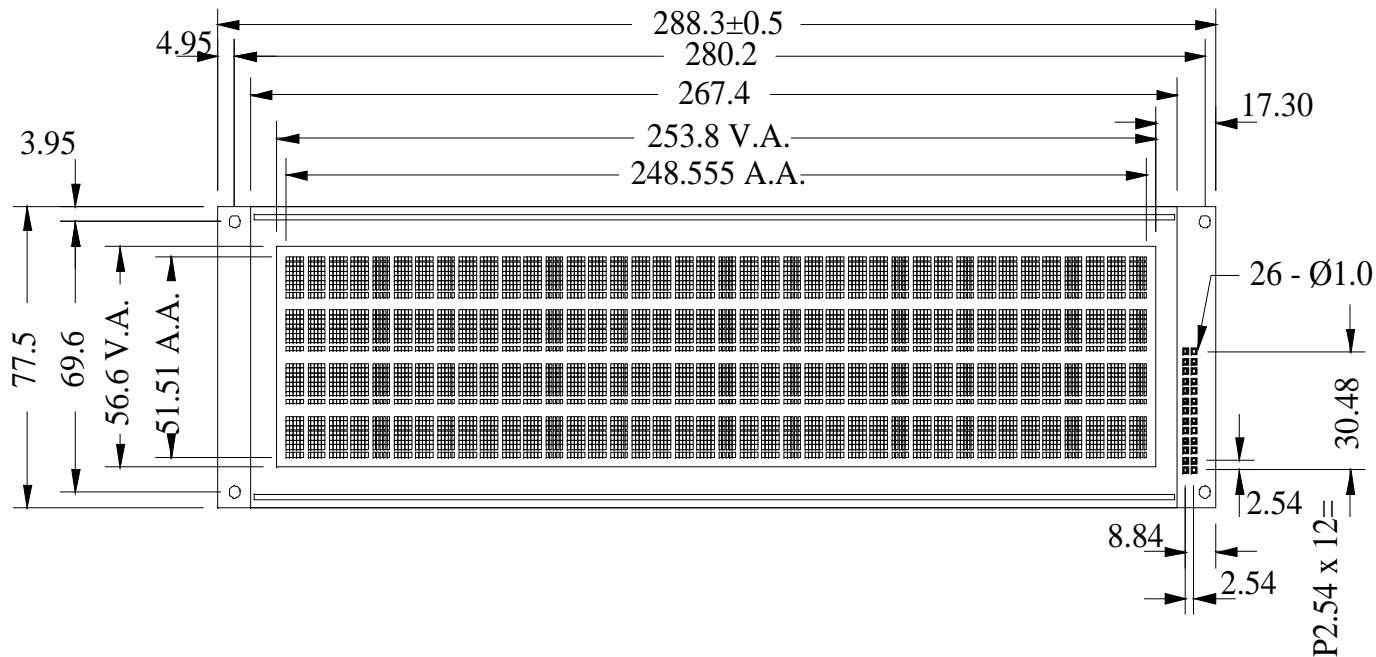
Forward Voltage	Forward Current	Power Dissipation	Peak Wavelength
4.2V (Typ)	2200mA (Typ)	11000mW (Typ)	570nm (Typ)

### Mechanical Specifications

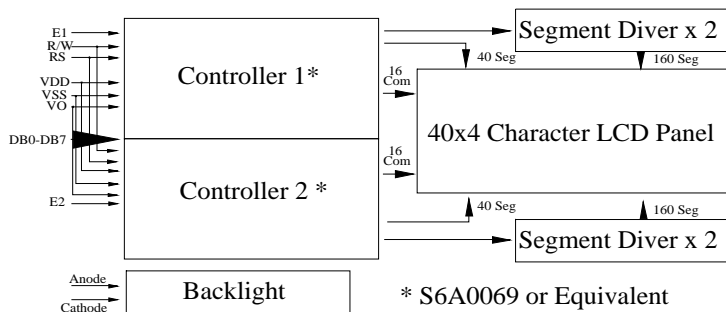
Item	Overall Size	Viewing Area	Character Size	Character Pitch	Dot Size
Specifications	288.3W x 77.5H x 14.0T	253.8W x 56.6H	5.00W x 8.476H	6.245W x 13.69H	0.96W x 1.168H



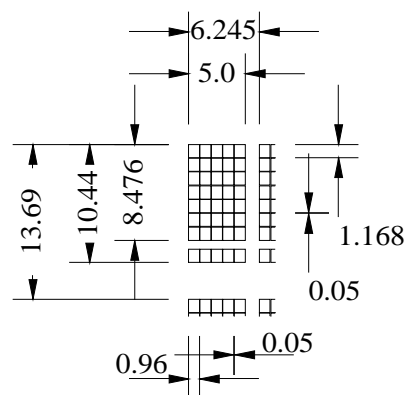
## PC4004G-O (40x4) Character LCD Display



### LCD Block Diagram



### Dot Layout



All dimensions are in mm. Tolerance is ± 0.3 Unless otherwise specified