

# SG5851

## Low-Cost Green-Mode PWM Controller for Flyback Converters

### Features

- Green-Mode PWM
- Supports the “Blue Angel” Standard
- Low Start-up Current: 9µA
- Low Operating Current: 3mA
- Leading-Edge Blanking
- Constant Output Power Limit
- Universal Input
- Built-in Synchronized Slope Compensation
- Current Mode Operation
- Cycle-by-cycle Current Limiting
- Under-Voltage Lockout (UVLO)
- Programmable PWM Frequency with Frequency Hopping
- V<sub>DD</sub> Over-Voltage Protection (Auto Restart)
- Gate Output Voltage Clamped at 17V
- Low Cost
- Few External Components Required

### Description

This highly integrated PWM controller provides several special enhancements designed to meet the low standby-power needs of low-power SMPS. To minimize standby power consumption, the proprietary green-mode function provides off-time modulation to linearly decrease the switching frequency under light-load conditions. This green-mode function enables the power supply to meet even the strictest power conservation requirements.

The BiCMOS fabrication process enables reducing the start-up current to 9µA and the operating current to 3mA. To further improve power conservation, a large start-up resistance can be used. Built-in synchronized slope compensation ensures the stability of peak current mode control. Proprietary internal compensation provides a constant output power limit over a universal AC input range (90V<sub>AC</sub> to 264V<sub>AC</sub>). Pulse-by-pulse current limiting ensures safe operation even during short-circuit conditions.

To protect the external power MOSFET from being damaged by supply over voltage, the output driver is clamped at 17V. SG5851 controllers, available in an SOP package, can be used to improve the performance and reduce the production cost of power supplies.

### Applications

- Power Adaptors
- Open-Frame SMPS

### Ordering Information

Part Number	Operating Temperature Range	Package	Packing Method
SG5851SZ	-40°C to +85°C	8-pin Small Outline Package (SOP)	Tape & Reel
SG5851DZ	-40°C to +85°C	8-pin Dual in-line Package (DIP)	Rail

 All packages are lead free per JEDEC: J-STD-020B standard.

## Application Diagram

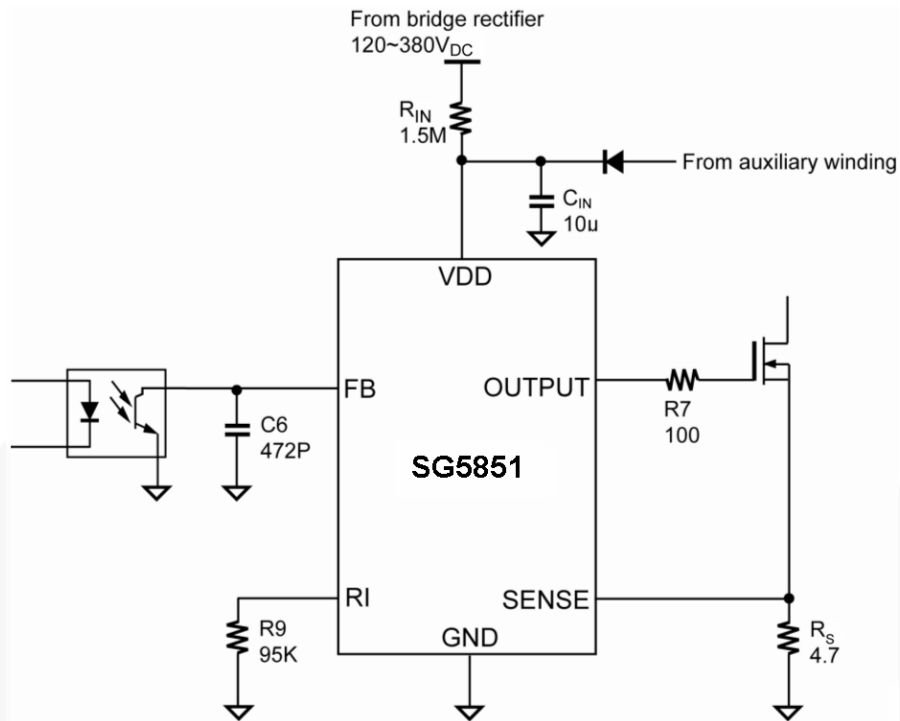


Figure 1. Typical Application

## Block Diagram

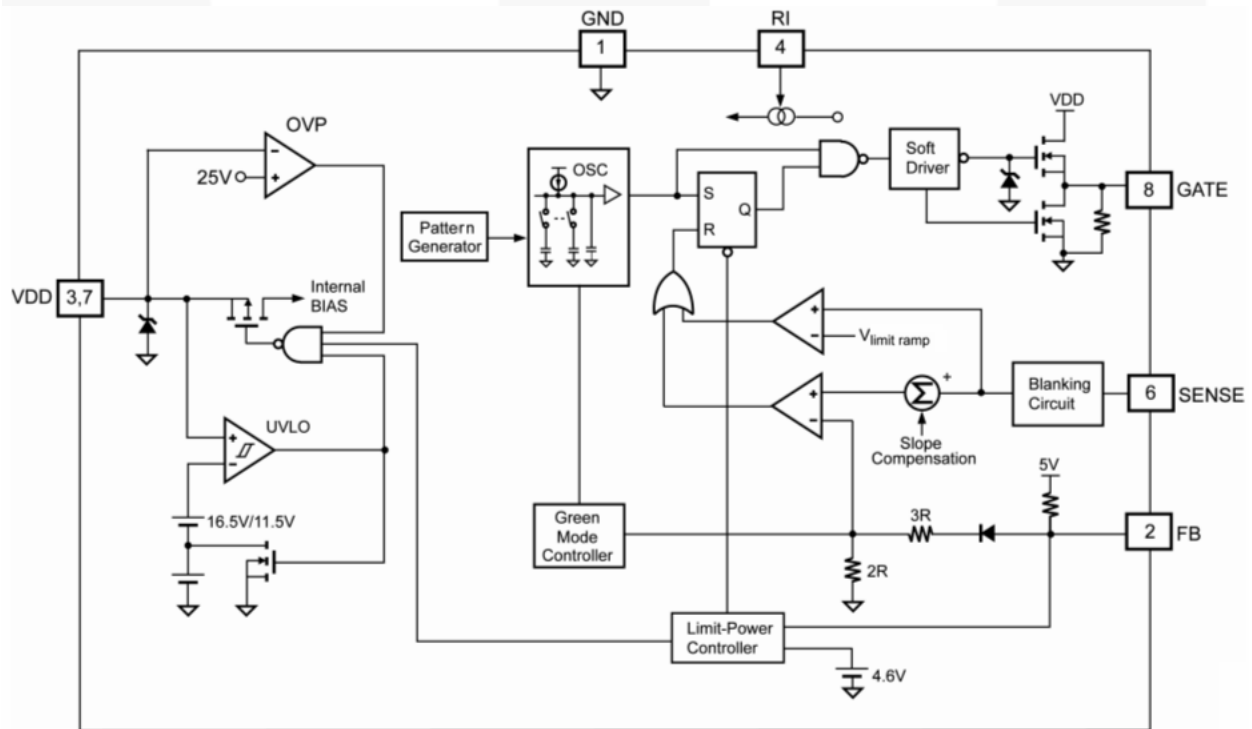


Figure 2. Function Block Diagram

## Pin Configuration

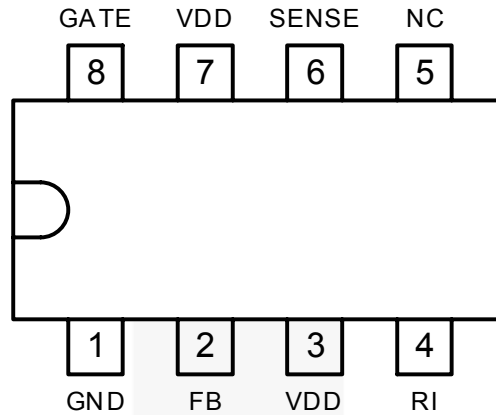


Figure 3. Pin Configuration(Top View)

## Pin Definitions

Pin #	Name	Description
1	GND	<b>Ground.</b> For ATX SMPS, it detects AC line voltage through the main transformer.
2	FB	<b>Feedback.</b>
3	VDD	<b>Power Supply.</b>
4	RI	<b>Reference Setting.</b> A resistor connected from the RI pin to ground generates a constant current source used to charge an internal capacitor and determine the switching frequency. Increasing the resistance reduces the amplitude of the current source and reduces the switching frequency. A 95kΩ resistor, R <sub>I</sub> , results in a 50μA constant current I <sub>I</sub> and a 70kHz switching frequency.
5	NC	<b>No Connection.</b>
6	SENSE	<b>Current Sense.</b> This pin senses the voltage across a resistor. When the voltage reaches the internal threshold, PWM output is disabled. This activates over-current protection. This pin also provides current amplitude information for current-mode control.
7	VDD	<b>Power Supply.</b>
8	GATE	<b>Driver Output.</b> The totem-pole output driver for driving the power MOSFET.

## Absolute Maximum Ratings

Stresses exceeding the absolute maximum ratings may damage the device. The device may not function or be operable above the recommended operating conditions and stressing the parts to these levels is not recommended. In addition, extended exposure to stresses above the recommended operating conditions may affect device reliability. The absolute maximum ratings are stress ratings only.

Symbol	Parameter	Min.	Max.	Unit
V <sub>VDD</sub>	DC Supply Voltage		30	V
V <sub>FB</sub>	Input Voltage to FB Pin	-0.5	7.0	V
V <sub>SENSE</sub>	Input Voltage to Sense Pin	-0.5	7.0	V
P <sub>D</sub>	Power Dissipation		300	mW
T <sub>J</sub>	Operating Junction Temperature		150	°C
θ <sub>JA</sub>	Thermal Resistance (Junction to Air)		141	°C/W
T <sub>STG</sub>	Storage Temperature Range	-55	150	°C
T <sub>L</sub>	Lead Temperature (Wave soldering, or IR 10 seconds)		260	°C
ESD	Electrostatic Discharge Capability, Human Body Model		3.0	KV
	Electrostatic Discharge Capability, Machine Model		200	V

### Notes:

1. All voltage values, except differential voltage, are given with respect to GND pin.
2. Stresses beyond those listed under “absolute maximum ratings” may cause permanent damage to the device.

## Recommended Operating Conditions

The Recommended Operating Conditions table defines the conditions for actual device operation. Recommended operating conditions are specified to ensure optimal performance to the datasheet specifications. Fairchild does not recommend exceeding them or designing to Absolute Maximum Ratings.

Symbol	Parameter	Min.	Typ.	Max.	Unit
T <sub>A</sub>	Operating Ambient Temperature	-40		+85	°C

## Electrical Characteristics

$V_{DD}=15V$ ,  $T_A=25^{\circ}C$ , unless noted operating specs.

Symbol	Parameter	Conditions	Min.	Typ.	Max.	Units
<b>V<sub>DD</sub> Section</b>						
$V_{DD-OP}$	Continuous Operation Voltage				22	V
$V_{DD-ON}$	Turn-on Threshold Voltage		15.5	16.5	17.5	V
$V_{DD-OFF}$	Turn-off Threshold Voltage		10.5	11.5	12.5	V
$I_{DD-ST}$	Start-up Current	$V_{DD}=V_{DD-ON} - 0.1V$		9	15	$\mu A$
$I_{DD-OP}$	Operating Supply Current	$V_{DD}=15V$ , GATE with 1nF to GND		3.0	3.5	mA
$V_{DD-OVP}$	$V_{DD}$ Over-voltage Protection level	Auto Restart	24	25	26	V
$t_{D-VDDOVP}$	$V_{DD}$ Over-voltage Protection Debounce	Auto Restart		100		$\mu s$
<b>Feedback Input Section</b>						
$V_{FB-OPEN}$	FB Output High Voltage		5			V
$V_{FB-OL}$	FB Open-loop Trigger Level		4.3	4.6	4.9	V
$t_{D-OLP}$	Delay Time of FB Pin Open-loop Protection			56		ms
$V_{FB-N}$	Green-Mode Entry FB Voltage		2.60	2.85	3.10	V
$V_{FB-G}$	Green-Mode Ending FB Voltage			2.2		V
$S_G$	Green-Mode Modulation Slope	$R_I=95K\Omega$	40	75	100	Hz/mV
<b>Current-Sense Section</b>						
$Z_{SENSE}$	Input Impedance		10			K $\Omega$
$t_{PD}$	Delay to Output	$V_{DD}=13.5$ to 22V	40	55	100	ns
$V_{STHFL}$	Flat Threshold Voltage for Current Limit			1		V
$V_{STHVA}$	Valley Threshold Voltage for Current Limit		0.75	0.80	0.85	V
$t_{LEB}$	Leading-Edge Blanking Time		250	310	370	ns
$DCY_{SAW}$	Duty Cycle of SAW Limit	Maximum Duty Cycle		45		%
<b>Oscillator Section</b>						
$F_{OSC}$	Center Frequency	$R_I=95K\Omega$	65	70	75	KHz
	Hopping Range			$\pm 4.9$		
$t_{HOP}$	Hopping Period	$R_I=95K\Omega$		3.7		ms
$F_{OSC-G}$	Green-Mode Frequency	$R_I=95K\Omega$		20		KHz
$F_{DV}$	Frequency Variation vs. $V_{DD}$ Deviation	$V_{DD}=13.5$ to 22V	0	0.02	2.00	%
$F_{DT}$	Frequency Variation vs. Temperature Deviation	$T_A=-20$ to $85^{\circ}C$			2	%
<b>Output Section</b>						
$DCY_{MAX}$	Maximum Duty Cycle		70	75	80	%
$V_{GATE-L}$	Output Voltage Low	$V_{DD}=15V$ , $I_O=20mA$			1.5	V
$V_{GATE-H}$	Output Voltage High	$V_{DD}=13.5V$ , $I_O=20mA$	8			V
$t_r$	Rising Time	$V_{DD}=15V$ , $C_L=1nF$		200		ns
$t_f$	Falling Time	$V_{DD}=15V$ , $C_L=1nF$		55		ns
$V_{GATE-CLAMP}$	Output Clamp Voltage	$V_{DD}=22V$	16	17	18	V

## Functional Description

SG5851 devices integrate many useful designs into one controller for low-power switch-mode power supplies. The following descriptions highlight some of the features of the SG5851 series.

### Start-up Current

The start-up current is only 9 $\mu$ A, which allows a start-up resistor with a high resistance and a low-wattage to supply the start-up power for the controller. A 1.5M $\Omega$ , 0.25W, start-up resistor and a 10 $\mu$ F/25V  $V_{DD}$  hold-up capacitor are sufficient for an AC-to-DC power adapter with a wide input range (90V<sub>AC</sub> to 264V<sub>AC</sub>).

### Operating Current

The operating current has been reduced to 3mA, which results in higher efficiency and reduces the  $V_{DD}$  hold-up capacitance requirement.

### Green-Mode Operation

The proprietary green-mode function provides off-time modulation to linearly decrease the switching frequency under light-load conditions. On-time is limited to provide stronger protection against brownouts and abnormal conditions. The feedback current, which is sampled from the voltage feedback loop, is taken as the reference. Once the feedback current exceeds the threshold current, the switching frequency starts to decrease. This green-mode function dramatically reduces power consumption under light-load and zero-load conditions. Power supplies using the SG5851 can meet even the strictest regulations regarding standby power consumption.

### Oscillator Operation

A resistor connected from the RI pin to ground generates a constant current source used to charge an internal capacitor. The charge time determines the internal clock speed and the switching frequency. Increasing the resistance reduces the amplitude of the input current and reduces the switching frequency. A 95k $\Omega$  resistor,  $R_i$ , results in a 50 $\mu$ A constant current,  $I_i$ , and a 70kHz switching frequency. The relationship between  $R_i$  and the switching frequency is:

$$f_{PWM} = \frac{6650}{R_i(k\Omega)} \text{ (kHz)} \quad (1)$$

The range of the oscillation frequency is designed to be within 50kHz ~ 100kHz.

### Leading-Edge Blanking

Each time the power MOSFET is switched on, a turn-on spike occurs at the sense-resistor. To avoid premature termination of the switching pulse, a 320ns leading-edge blanking time is built in. Conventional RC filtering can therefore be omitted. During this blanking period, the current-limit comparator is disabled and it cannot switch off the gate driver.

### Constant Output Power Limit

When the SENSE voltage across the sense resistor,  $R_s$ , reaches the threshold voltage (~1.00V), the output GATE drive is turned off after propagation delay,  $t_{PD}$ . This propagation delay introduces an additional current proportional to  $t_{PD} \cdot V_{in} / L_p$ . The propagation delay is nearly constant regardless of the input line voltage  $V_{in}$ . Higher input line voltages result in larger additional currents. At high input line voltages, the output power limit is higher than at low input line voltages.

To compensate for this output power limit variation across a wide AC input range, the threshold voltage is adjusted by adding a positive ramp. This ramp signal rises from 0.80V to 1.00V, then flattens out at 1.00V. A smaller threshold voltage forces the output GATE drive to terminate earlier. This reduces the total PWM turn-on time and makes the output power equal to that of low line input. This proprietary internal compensation ensures a constant output power limit for a wide AC input voltage range (90V<sub>AC</sub> to 264V<sub>AC</sub>).

### Under-Voltage Lockout (UVLO)

The turn-on and turn-off thresholds are fixed internally at 16.5V and 11.5V. During start-up, the hold-up capacitor must be charged to 16.5V through the start-up resistor to enable SG5851. The hold-up capacitor continues to supply  $V_{DD}$  until power can be delivered from the auxiliary winding of the main transformer.  $V_{DD}$  must not drop below 11.5V during the start-up process. This UVLO hysteresis window ensures that the hold-up capacitor is adequate to supply  $V_{DD}$  during start-up.

### Gate Output

The SG5851 BiCMOS output stage is a fast totem-pole gate driver. Cross conduction has been avoided to minimize heat dissipation, increase efficiency, and enhance reliability. The output driver is clamped by an internal 17V Zener diode to protect power MOSFET transistors against undesired over-voltage gate signals.

### Built-in Slope Compensation

The sensed voltage across the current sense resistor is used for current mode control and pulse-by-pulse current limiting. Built-in slope compensation improves stability and prevents sub-harmonic oscillations due to peak-current mode control. The SG5851 has a synchronized, positively-sloped ramp built-in at each switching cycle. The slope of the ramp is:

$$\frac{0.36 \times \text{Duty}}{\text{Duty}(\text{max.})} \quad (2)$$

### Noise Immunity

Noise from the current sense or the control signal can cause significant pulse-width jitter, particularly in continuous-conduction mode. While slope compensation helps alleviate these problems, further precautions should be taken. Good placement and layout practices should be followed. Avoiding long PCB traces and component leads, locating compensation and filter components near the SG5851, and increasing power MOS gate resistance improve performance.

## Typical Performance Characteristics

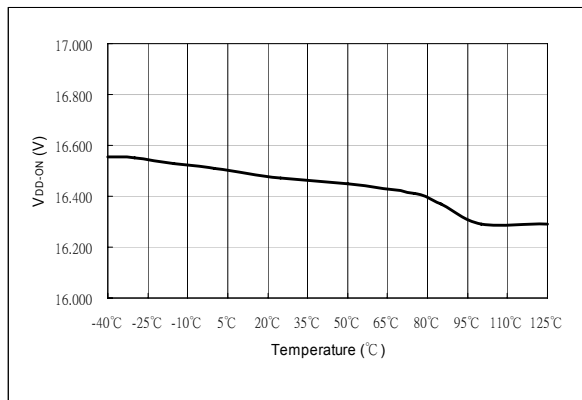


Figure 4. V<sub>DD-ON</sub> vs. T<sub>A</sub>

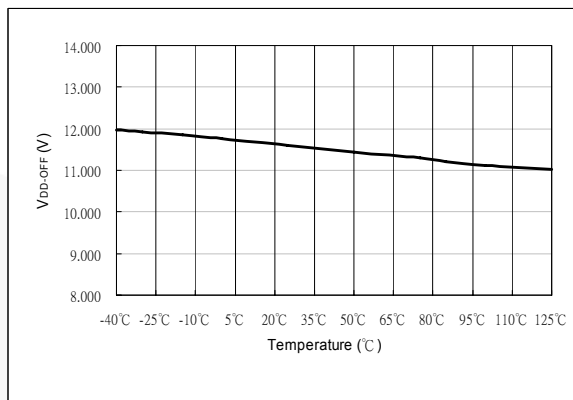


Figure 5. V<sub>DD-OFF</sub> vs. T<sub>A</sub>

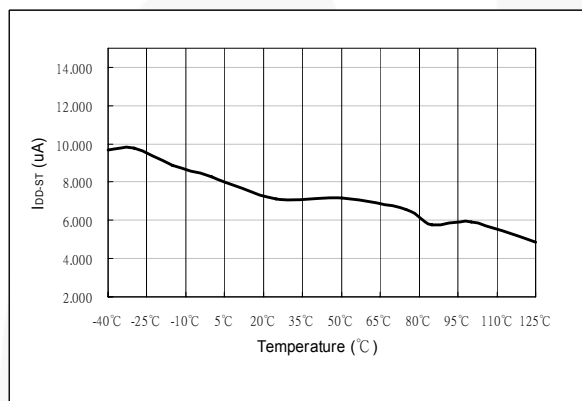


Figure 6. I<sub>DD-ST</sub> vs. T<sub>A</sub>

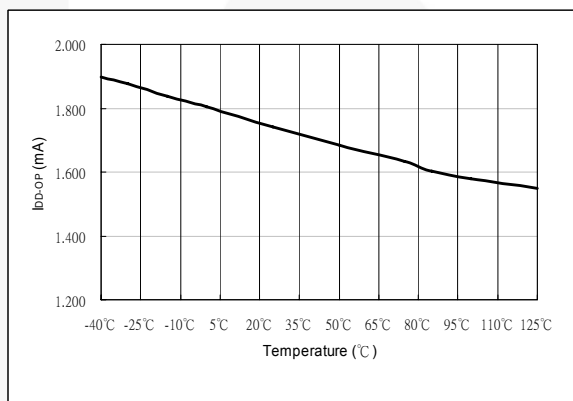


Figure 7. I<sub>DD-OP</sub> vs. T<sub>A</sub>

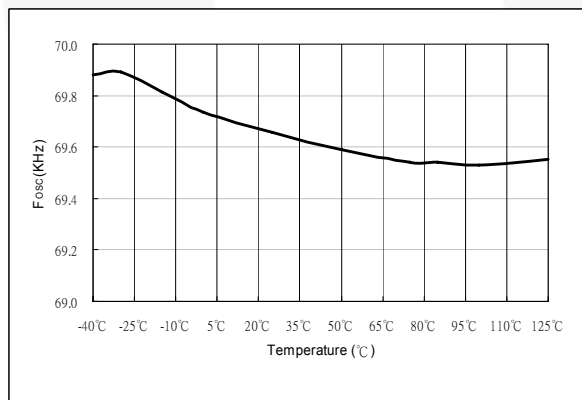


Figure 8. f<sub>OSC</sub> vs. T<sub>A</sub>

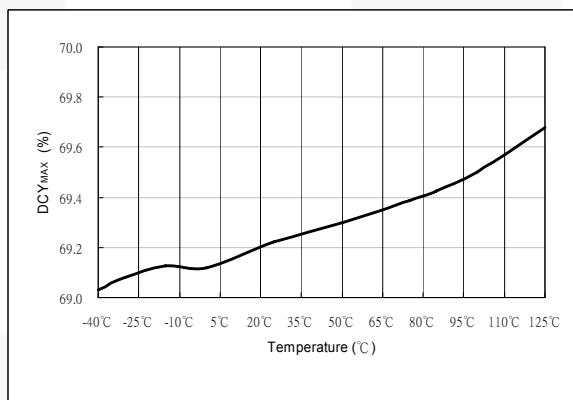


Figure 9. DCY<sub>MAX</sub> vs. T<sub>A</sub>

## Typical Performance Characteristics

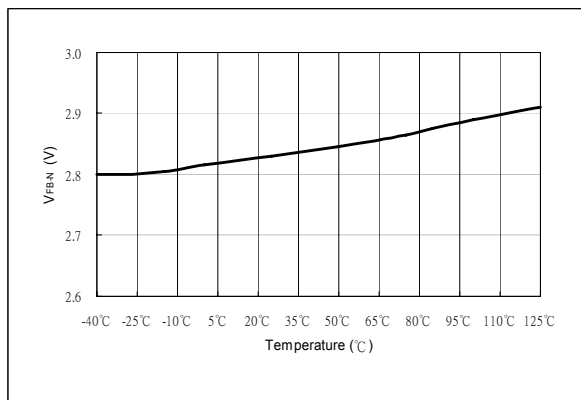


Figure 10.  $V_{FB-N}$  vs.  $T_A$

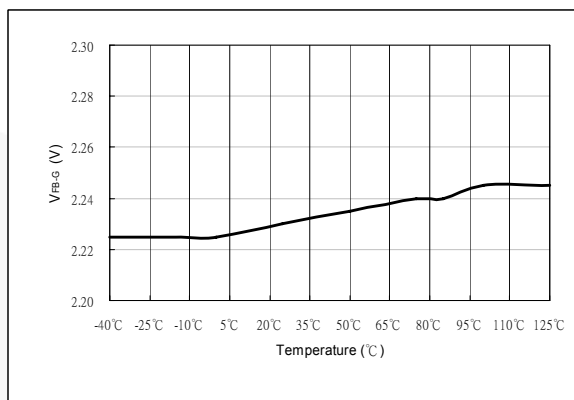


Figure 11.  $V_{FB-G}$  vs.  $T_A$

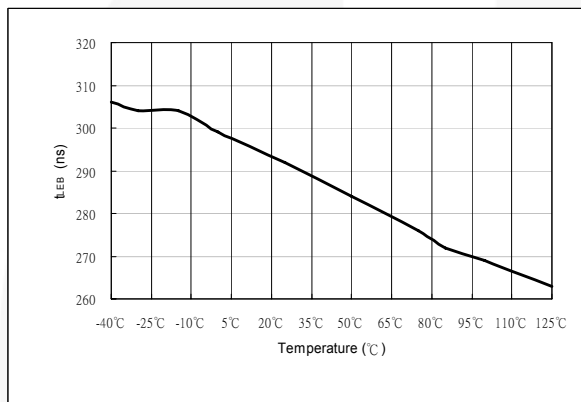


Figure 12.  $t_{LEB}$  vs.  $T_A$



## Mechanical Dimensions

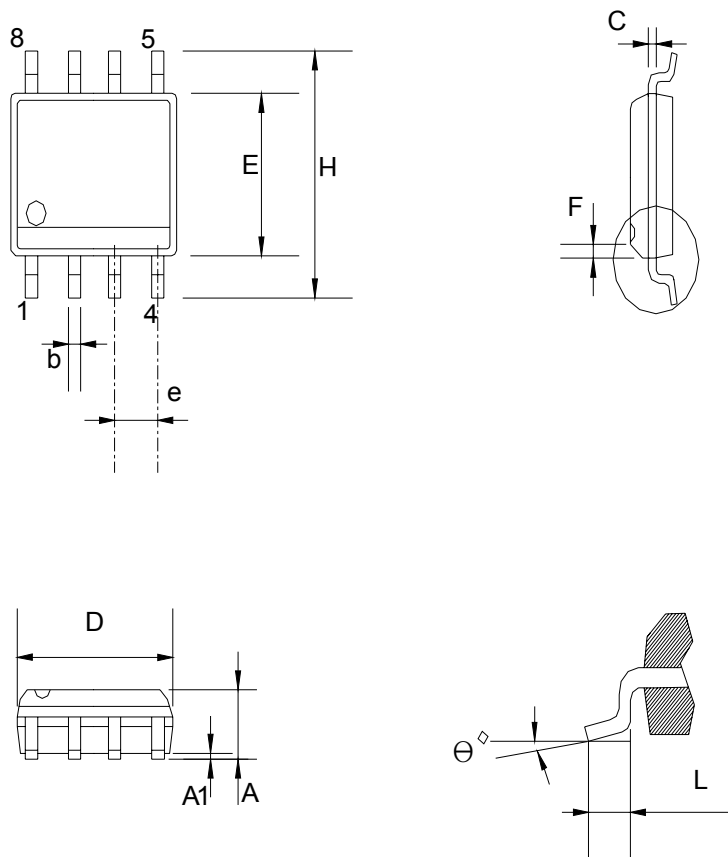


Figure 13. 8-SOIC

## Dimensions

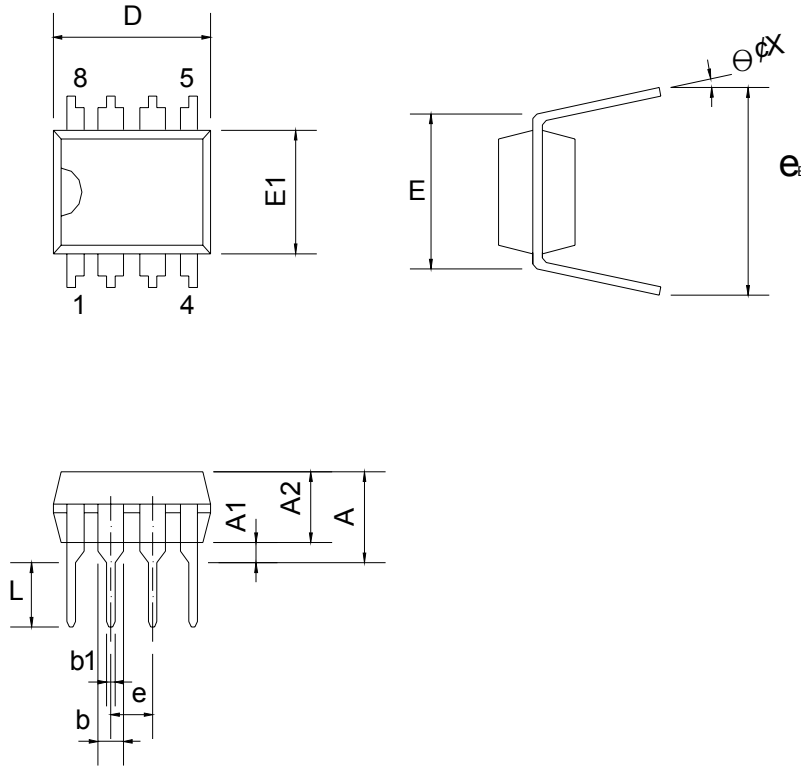
Symbol	Millimeter			Inch		
	Min.	Typ.	Max.	Min.	Typ.	Max.
A	1.346		1.752	0.053		0.069
A1	0.101		0.254	0.004		0.010
b		0.406			0.016	
c		0.203			0.008	
D	4.648		4.978	0.183		0.196
E	3.810		3.987	0.150		0.157
e		1.270			0.050	
F		0.381X45°			0.015X45°	
H	5.791		6.197	0.228		0.244
L	0.406		1.270	0.016		0.050
$\theta^\circ$	0°		8°	0°		8°

Package drawings are provided as a service to customers considering Fairchild components. Drawings may change in any manner without notice. Please note the revision and/or date on the drawing and contact a Fairchild Semiconductor representative to verify or obtain the most recent revision. Package specifications do not expand the terms of Fairchild's worldwide terms and conditions, specifically the warranty therein, which covers Fairchild products.

Always visit Fairchild Semiconductor's online packaging area for the most recent package drawings:

<http://www.fairchildsemi.com/packaging/>

**Mechanical Dimensions** (Continued)



**Figure 14. 8-DIPIC**

**Dimensions**

Symbol	Millimeter			Inch		
	Min.	Typ.	Max.	Min.	Typ.	Max.
A			5.334			0.210
A1	0.381			0.015		
A2	3.175	3.302	3.429	0.125	0.130	0.135
b		1.524			0.060	
b1		0.457			0.018	
D	9.017	9.271	10.160	0.355	0.365	0.400
E		7.620			0.300	
E1	6.223	6.350	6.477	0.245	0.250	0.255
e		2.540			0.100	
L	2.921	3.302	3.810	0.115	0.130	0.150
e <sub>B</sub>	8.509	9.017	9.525	0.335	0.355	0.375
θ°	0°	7°	15°	0°	7°	15°

Package drawings are provided as a service to customers considering Fairchild components. Drawings may change in any manner without notice. Please note the revision and/or date on the drawing and contact a Fairchild Semiconductor representative to verify or obtain the most recent revision. Package specifications do not expand the terms of Fairchild's worldwide terms and conditions, specifically the warranty therein, which covers Fairchild products.

Always visit Fairchild Semiconductor's online packaging area for the most recent package drawings:

<http://www.fairchildsemi.com/packaging/>



**TRADEMARKS**

The following includes registered and unregistered trademarks and service marks, owned by Fairchild Semiconductor and/or its global subsidiaries, and is not intended to be an exhaustive list of all such trademarks.

- |   |  |  |   |
|---|--|--|---|
| ACEX <sup>®</sup>   | FPS <sup>™</sup>                             | PDP-SPM <sup>™</sup>                   | SupreMOS <sup>™</sup>   |
| Build it Now <sup>™</sup>   | FRFET <sup>®</sup>                           | Power220 <sup>®</sup>                  | SyncFET <sup>™</sup>  |
| CorePLUS <sup>™</sup>   | Global Power Resource <sup>SM</sup>          | POWEREDGE <sup>®</sup>                 |  SYSTEM GENERAL      |
| CROSSVOLT <sup>™</sup>  | Green FPS <sup>™</sup>                       | Power-SPM <sup>™</sup>                 | The Power Franchise <sup>®</sup>  |
| CTL <sup>™</sup>  | Green FPS <sup>™</sup> e-Series <sup>™</sup> | PowerTrench <sup>®</sup>               |  the power franchise |
| Current Transfer Logic <sup>™</sup>   | GTO <sup>™</sup>                             | Programmable Active Droop <sup>™</sup> | TinyBoost <sup>™</sup>  |
| EcoSPARK <sup>®</sup>   | i-Lo <sup>™</sup>                            | QFET <sup>®</sup>                      | TinyBuck <sup>™</sup>   |
| EZSWITCH <sup>™</sup> *   | IntelliMAX <sup>™</sup>                      | QS <sup>™</sup>                        | TinyLogic <sup>®</sup>  |
|  E7 <sup>™</sup> | ISOPLANAR <sup>™</sup>                       | QT Optoelectronics <sup>™</sup>        | TINYOPTO <sup>™</sup>   |
|  F <sup>®</sup>  | MegaBuck <sup>™</sup>                        | Quiet Series <sup>™</sup>              | TinyPower <sup>™</sup>  |
| Fairchild <sup>®</sup>  | MICROCOUPLER <sup>™</sup>                    | RapidConfigure <sup>™</sup>            | TinyPWM <sup>™</sup>  |
| Fairchild Semiconductor <sup>®</sup>  | MicroFET <sup>™</sup>                        | SMART START <sup>™</sup>               | TinyWire <sup>™</sup>   |
| FACT Quiet Series <sup>™</sup>  | MicroPak <sup>™</sup>                        | SPM <sup>®</sup>                       | μSerDes <sup>™</sup>  |
| FACT <sup>®</sup>   | MillerDrive <sup>™</sup>                     | STEALTH <sup>™</sup>                   | UHC <sup>®</sup>  |
| FAST <sup>®</sup>   | Motion-SPM <sup>™</sup>                      | SuperFET <sup>™</sup>                  | Ultra FRFET <sup>™</sup>  |
| FastvCore <sup>™</sup>  | OPTOLOGIC <sup>®</sup>                       | SuperSOT <sup>™</sup> -3               | UniFET <sup>™</sup>   |
| FlashWriter <sup>®</sup> *  | OPTOPLANAR <sup>®</sup>                      | SuperSOT <sup>™</sup> -6               | VCX <sup>™</sup>  |
|   |  | SuperSOT <sup>™</sup> -8               |   |

\* EZSWITCH<sup>™</sup> and FlashWriter<sup>®</sup> are trademarks of System General Corporation, used under license by Fairchild Semiconductor.

**DISCLAIMER**

FAIRCHILD SEMICONDUCTOR RESERVES THE RIGHT TO MAKE CHANGES WITHOUT FURTHER NOTICE TO ANY PRODUCTS HEREIN TO IMPROVE RELIABILITY, FUNCTION, OR DESIGN. FAIRCHILD DOES NOT ASSUME ANY LIABILITY ARISING OUT OF THE APPLICATION OR USE OF ANY PRODUCT OR CIRCUIT DESCRIBED HEREIN; NEITHER DOES IT CONVEY ANY LICENSE UNDER ITS PATENT RIGHTS, NOR THE RIGHTS OF OTHERS. THESE SPECIFICATIONS DO NOT EXPAND THE TERMS OF FAIRCHILD'S WORLDWIDE TERMS AND CONDITIONS, SPECIFICALLY THE WARRANTY THEREIN, WHICH COVERS THESE PRODUCTS.

**LIFE SUPPORT POLICY**

FAIRCHILD'S PRODUCTS ARE NOT AUTHORIZED FOR USE AS CRITICAL COMPONENTS IN LIFE SUPPORT DEVICES OR SYSTEMS WITHOUT THE EXPRESS WRITTEN APPROVAL OF FAIRCHILD SEMICONDUCTOR CORPORATION.

As used herein:

- Life support devices or systems are devices or systems which, (a) are intended for surgical implant into the body or (b) support or sustain life, and (c) whose failure to perform when properly used in accordance with instructions for use provided in the labeling, can be reasonably expected to result in a significant injury of the user.
- A critical component in any component of a life support, device, or system whose failure to perform can be reasonably expected to cause the failure of the life support device or system, or to affect its safety or effectiveness.

**PRODUCT STATUS DEFINITIONS**

**Definition of Terms**

Datasheet Identification	Product Status	Definition
Advance Information	Formative or In Design	This datasheet contains the design specifications for product development. Specifications may change in any manner without notice.
Preliminary	First Production	This datasheet contains preliminary data; supplementary data will be published at a later date. Fairchild Semiconductor reserves the right to make changes at any time without notice to improve design.
No Identification Needed	Full Production	This datasheet contains final specifications. Fairchild Semiconductor reserves the right to make changes at any time without notice to improve the design.
Obsolete	Not In Production	This datasheet contains specifications on a product that has been discontinued by Fairchild Semiconductor. The datasheet is printed for reference information only.

Rev. I33