



## Description

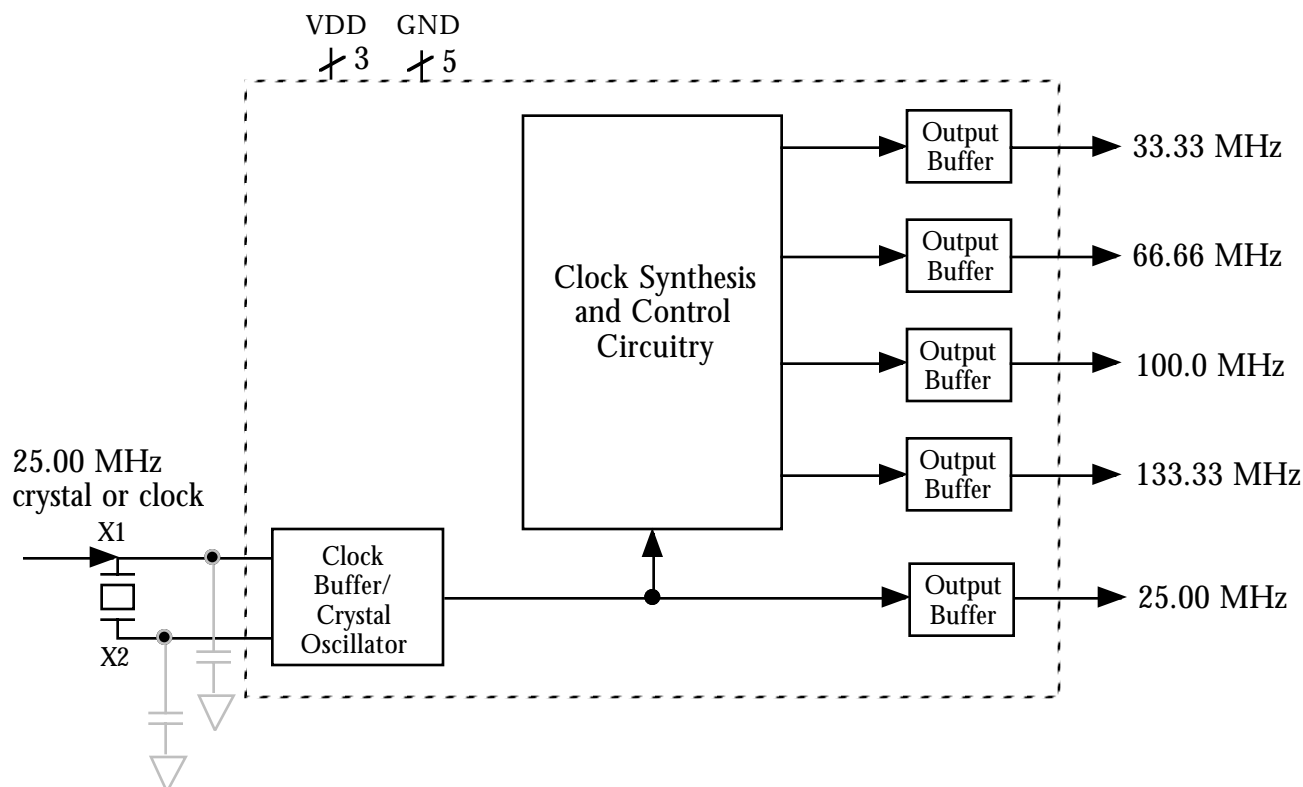
The ICS650-11B is a low cost, low jitter, high performance clock synthesizer customized for BroadCom. Using analog Phase-Locked Loop (PLL) techniques, the device accepts a 25.0 MHz clock or fundamental mode crystal input to produce multiple output clocks of 25.0 MHz, 33.33 MHz, 66.66 MHz, 100.0 MHz, and 133.33 MHz. All output clocks are frequency locked together. The ICS650-11B outputs all have 0 ppm synthesis error.

## Features



- Packaged in 20 pin narrow SSOP (Pb free available)
- 25.00 MHz fundamental crystal or clock input
- Five fixed output clocks of 25.0 MHz, 33.33 MHz, 66.66 MHz, 100.0 MHz, and 133.33 MHz
- Zero ppm synthesis error in all clocks
- Ideal for BroadCom BCM5600/BCM5400 chipset
- Full CMOS output swing
- Advanced, low power, sub-micron CMOS process
- 3.0V to 5.5V operating voltage
- Industrial temperature range

## Block Diagram



Optional crystal capacitors are shown and may be required for tuning of initial accuracy (determined once per board).

**Pin Assignment**

GND	<input type="checkbox"/>	1	20	<input type="checkbox"/>	DC
X2	<input type="checkbox"/>	2	19	<input type="checkbox"/>	DC
X1	<input type="checkbox"/>	3	18	<input type="checkbox"/>	133.33M
VDD	<input type="checkbox"/>	4	17	<input type="checkbox"/>	33.33M
GND	<input type="checkbox"/>	5	16	<input type="checkbox"/>	VDD
GND	<input type="checkbox"/>	6	15	<input type="checkbox"/>	VDD
DC	<input type="checkbox"/>	7	14	<input type="checkbox"/>	GND
DC	<input type="checkbox"/>	8	13	<input type="checkbox"/>	25M
DC	<input type="checkbox"/>	9	12	<input type="checkbox"/>	66.66M
100M	<input type="checkbox"/>	10	11	<input type="checkbox"/>	GND

20 pin (150 mil) SSOP

**Pin Descriptions**

Number	Name	Type	Description
1	GND	P	Connect to ground.
2	X2	XO	Crystal connection. Connect to 25 MHz crystal or leave unconnected for a clock input.
3	X1	XI	Crystal connection. Connect to 25 MHz fundamental crystal or clock input.
4	VDD	P	Connect to +3.3 V or +5 V. Must be same as other VDDs.
5	GND	P	Connect to ground.
6	GND	P	Connect to ground.
7	DC	-	Don't Connect. Do not connect anything to this pin.
8	DC	-	Don't Connect. Do not connect anything to this pin.
9	DC	-	Don't Connect. Do not connect anything to this pin.
10	100M	O	100.0 MHz clock output.
11	GND	P	Connect to ground.
12	66.66M	O	66.66 MHz clock output.
13	25M	O	25.0 MHz clock output.
14	GND	P	Connect to ground.
15	VDD	P	Connect to +3.3V or +5V. Must be same as other VDDs.
16	VDD	P	Connect to +3.3 V or +5 V. Must be same as other VDDs.
17	33.33M	O	33.33 MHz clock output.
18	133.33M	O	133.33 MHz clock output.
19	DC	-	Don't Connect. Do not connect anything to this pin.
20	DC	-	Don't Connect. Do not connect an thing to this pin.

Key: XI, XO = crystal connections; O = Output; P = power supply connection



## Electrical Specifications

Parameter	Conditions	Minimum	Typical	Maximum	Units
<b>ABSOLUTE MAXIMUM RATINGS (note 1)</b>					
Supply voltage, VDD	Referenced to GND			7	V
Inputs and Clock Outputs	Referenced to GND	-0.5		VDD+0.5	V
Ambient Operating Temperature		-40		85	°C
Soldering Temperature	Max of 20 seconds			260	°C
Storage temperature		-65		150	°C
<b>DC CHARACTERISTICS (VDD = 3.3V unless noted)</b>					
Operating Voltage, VDD		3		5.5	V
Input High Voltage, VIH, X1 pin only		VDD/2 + 1	VDD/2		V
Input Low Voltage, VIL, X1 pin only			VDD/2	VDD/2 - 1	V
Output High Voltage, VOH	IOH=-12mA	2.4			V
Output Low Voltage, VOL	IOL=12mA			0.4	V
Output High Voltage, VOH, CMOS level	IOH=-8mA	VDD-0.4			V
Operating Supply Current, IDD	No Load		35		mA
Short Circuit Current	Each output		±50		mA
<b>AC CHARACTERISTICS (VDD = 3.3V unless noted)</b>					
Input Frequency			25.000		MHz
Output Clock Rise Time	0.8 to 2.0V			1.5	ns
Output Clock Fall Time	2.0 to 0.8V			1.5	ns
Output Clock Duty Cycle, except 25 MHz	At VDD/2	45	50	55	%
Frequency error	All clocks			0	ppm
Absolute Jitter, short term	Variation from mean		175		ps

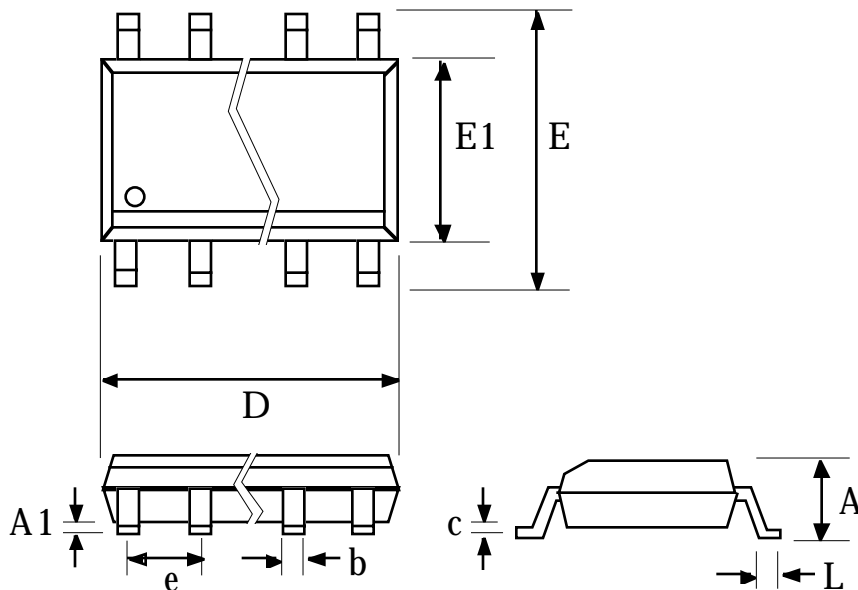
Notes: 1. Stresses beyond those listed under Absolute Maximum Ratings could cause permanent damage to the device. Prolonged exposure to levels above the operating limits but below the Absolute Maximums may affect device reliability.

## External Components

The ICS650-11B requires a minimum number of external components for proper operation. Decoupling capacitors of 0.01µF should be connected between each VDD and GND on Pins 4 and 6, and Pins 16 and 14, as close to the ICS650-11B as possible. A series termination resistor of 33 Ω may be used for each clock output. The 25.00 MHz crystal must be connected as close to the chip as possible. The crystal should be a fundamental mode (do not use third overtone), parallel resonant. Crystal capacitors should be connected from pins X1 to ground and X2 to ground to optimize the initial accuracy. The value of these capacitors is given by the following equation, where  $C_L$  is the crystal load capacitance: Crystal caps (pF) =  $(C_L - 6) \times 2$ . So for a crystal with 16 pF load capacitance, two 20 pF caps should be used.

**Package Outline and Package Dimensions**

(For current dimensional specifications, see JEDEC Publication No. 95.)

**20 pin SSOP**

Symbol	Inches		Millimeters	
	Min	Max	Min	Max
A	0.053	0.069	1.35	1.75
A1	0.004	0.010	0.102	0.254
b	0.008	0.012	0.203	0.305
c	0.007	0.010	0.191	0.254
D	0.337	0.344	8.560	8.738
e	.025 BSC		0.635 BSC	
E	0.228	0.244	5.791	6.198
E1	0.150	0.157	3.810	3.988
L	0.016	0.050	0.406	1.270

**Ordering Information**

Part/Order Number	Marking	Shipping packaging	Package	Temperature
ICS650R-11I	ICS650R-11I	tubes	20 pin SSOP	-40 to +85°C
ICS650R-11IT	ICS650R-11I	tape and reel	20 pin SSOP	-40 to +85°C

While the information presented herein has been checked for both accuracy and reliability, Integrated Circuit Systems, Inc (ICS) assumes no responsibility for either its use or for the infringement of any patents or other rights of third parties, which would result from its use. No other circuits, patents, or licenses are implied. This product is intended for use in normal commercial applications. Any other applications such as those requiring extended temperature range, high reliability, or other extraordinary environmental requirements are not recommended without additional processing by ICS. ICS reserves the right to change any circuitry or specifications without notice. ICS does not authorize or warrant any ICS product for use in life support devices or critical medical instruments.