

ETHERNET SWITCH CLOCK SOURCE

ICS650-40A

Description

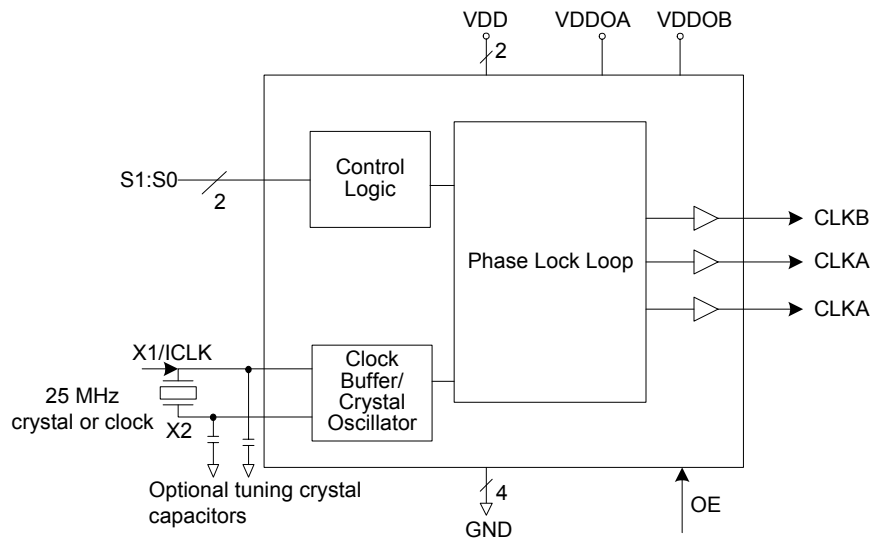
The ICS650-40A is a clock chip designed for use as a core clock in Ethernet Switch applications. Using IDT's patented Phase-Locked Loop (PLL) techniques, the device takes a 25 MHz crystal input and produces various output clock frequencies as listed in Output Select Table.

Features

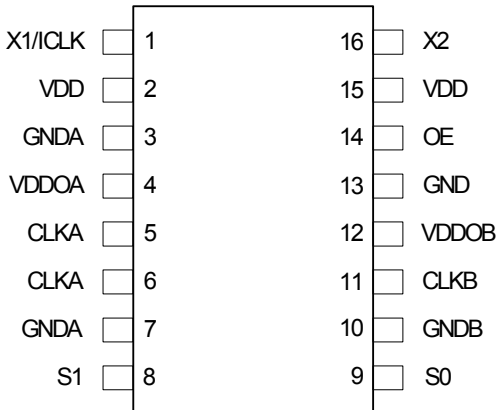
- Packaged in 16-pin TSSOP
- Operating voltage of 3.3 V
- Low power consumption
- Input frequency of 25 MHz
- Low long-term jitter
- Separate supply voltage for clock outputs (2.5 / 3.3 V clock outputs)
- OE control capability

NOTE: EOL for non-green parts to occur on 5/13/10 per PDN U-09-01

Block Diagram



Pin Assignment



16-pin (173 mil) TSSOP

Output Select Table (MHz)

S1	S0	CLKA (MHz)	CLKA (MHz)	CLKB (MHz)
0	0	127	127	157
0	1	133	133	189
1	0	157	157	127
1	1	189	189	133

Pin Descriptions

Pin Number	Pin Name	Pin Type	Pin Description
1	X1/CLK	Input	Crystal or clock input. Connect to a 25 MHz crystal or single ended clock.
2	VDD	Power	Connect to +3.3 V.
3	GNDA	Power	Connect to ground.
4	VDDOA	Power	Connect to +2.5 V or +3.3 V. For CLKA outputs only.
5	CLKA	Output	Clock A output with weak pull-down resistor.
6	CLKA	Output	Clock A output with weak pull-down resistor.
7	GNDA	Power	Connect to ground.
8	S1	Input	Select pin 1.
9	S0	Input	Select pin 0.
10	GNDB	Power	Connect to ground.
11	CLKB	Output	Clock B output with weak pull-down resistor.
12	VDDOB	Power	Connect to +2.5 V or 3.3 V. For clock output B only.
13	GND	Power	Connect to ground.
14	OE	Input	Output enable tri-states outputs and device is not shut down. This input has internal pull-up resistor. OE = 1 enables outputs A and B and OE=0 disables outputs A and B. When disabled the pull-down resistor pulls the outputs to GND.
15	VDD	Power	Connect to +3.3 V.
16	X2	Output	Crystal connection. Leave unconnected for clock input.

External Components

A minimum number of external components are required for proper operation. Decoupling capacitors of 0.01 μF should be connected between VDD and GND pairs. The capacitors should be placed between pins VDD and GND, VDDOA and GND, and VDDOB and GND as close to the device as possible. A 33 Ω series terminating resistor should be used on each clock output if the trace is longer than 1 inch. A 25 MHz fundamental mode parallel resonant crystal should be used with $C_L=18$ pF.

On chip capacitors. On Chip capacitors are used for a 18 pF load crystal. Small, 2-3 pF trimming capacitors are used from pins X1 to ground and X2 to ground to optimize the initial accuracy.

Absolute Maximum Ratings

Stresses above the ratings listed below can cause permanent damage to the ICS650-40A. These ratings, which are standard values for IDT commercially rated parts, are stress ratings only. Functional operation of the device at these or any other conditions above those indicated in the operational sections of the specifications is not implied. Exposure to absolute maximum rating conditions for extended periods can affect product reliability. Electrical parameters are guaranteed only over the recommended operating temperature range.

Item	Rating
Supply Voltage, VDD	7 V
All Inputs and Outputs	-0.5 V to VDD+0.5 V
Ambient Operating Temperature	0 to +70° C
Storage Temperature	-65 to +150° C
Junction Temperature	125° C
Soldering Temperature	260° C

Recommended Operation Conditions

Parameter	Min.	Typ.	Max.	Units
Ambient Operating Temperature	0		+70	°C
Power Supply Voltage (measured in respect to GND)	+3.15		+3.45	V

DC Electrical Characteristics

VDD=3.3 V ±5%, VDDOA = VDDOB= 3.3 V ±5% Ambient Temperature 0 to +70° C

Parameter	Symbol	Conditions	Min.	Typ.	Max.	Units
Operating Voltage	VDD		3.15		3.45	V
Output Operating Voltage	VDDOA, B		2.375		3.45	V
Input High Voltage, ICLK	V _{IH}	Note 1	VDD/2+0.5			V
Input Low Voltage, ICLK	V _{IL}	Note 1			VDD/2-0.5	V
Input High Voltage, S1:S0:OE	V _{IH}		2		VDD	V
Input Low Voltage, S1:S0:OE	V _{IL}				0.8	V
Output High Voltage	V _{OH}	I _{OH} = -12 mA, 3.3 V VDDO	2.0			V
Output Low Voltage	V _{OL}	I _{OL} = 12 mA, 3.3 V VDDO			0.4	V
Operating Supply Current	IDD	No load		40		mA
IDD at Output Disable Condition(OE low)		No load		16		mA
Short Circuit Current	I _{OS}	Each output		±70		mA
Internal Pull-up Resistor	R _{PU}	OE pin		300		kΩ
Internal Pull-down Resistor	R _{PD}	CLK outputs		300		kΩ

Note: 1. Nominal switching threshold is VDD/2.

AC Electrical Characteristics

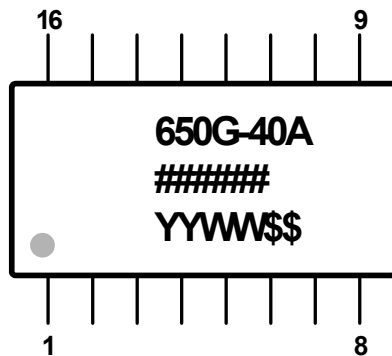
VDD=3.3 V ±5%, VDDOA = VDDOB = 3.3 V ±5%, C_L=10 pF Ambient Temperature 0 to +70° C

Parameter	Symbol	Conditions	Min.	Typ.	Max.	Units
Input Frequency				25		MHz
Output Rise Time	t _{OR}	20% to 80% of VDD		0.6		ns
Output Fall Time	t _{OF}	80% to 20% of VDD		0.6		ns
Output Clock Duty Cycle		At VDD/2	40	49-51	60	%
Frequency Error		All clocks		0		ppm
Output to Output Skew between clocks of the same frequency					250	ps
Absolute Jitter, Short-term P-P		Variation from mean		±120		ps
Absolute Jitter, Short-term C-C		Variation from mean		±120		ps
Long-term Jitter		1000 clock cycles		600		ps

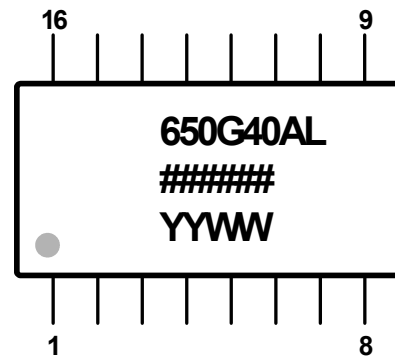
Thermal Characteristics

Parameter	Symbol	Conditions	Min.	Typ.	Max.	Units
Thermal Resistance Junction to Ambient	θ_{JA}	Still air		78		°C/W
	θ_{JA}	1 m/s air flow		70		°C/W
	θ_{JA}	3 m/s air flow		68		°C/W
Thermal Resistance Junction to Case	θ_{JC}			37		°C/W

Marking Diagram



Marking Diagram (RoHS compliant)

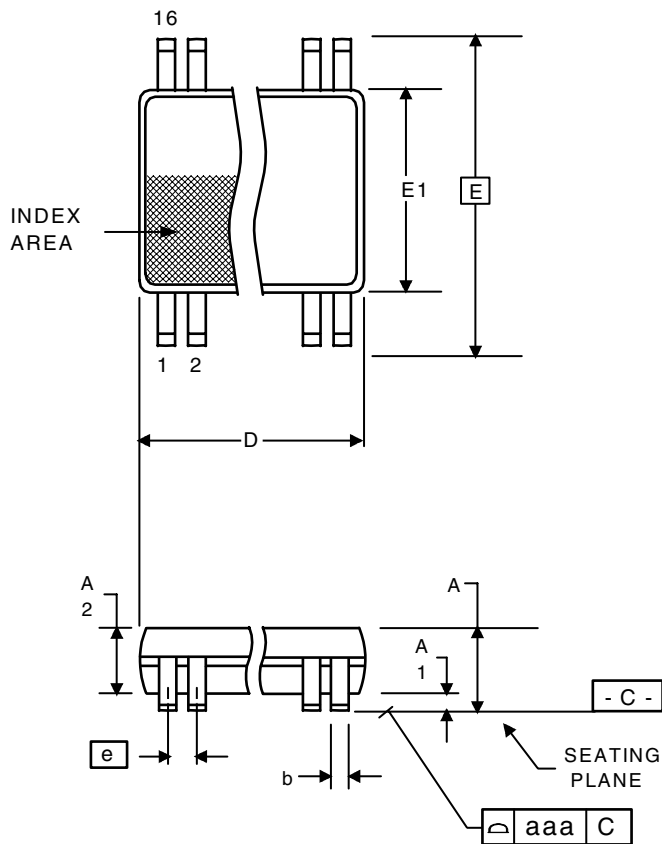


Notes:

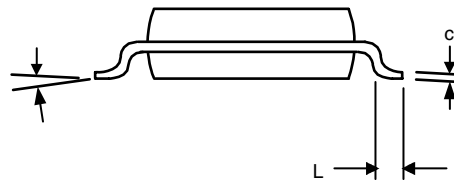
- ##### is the lot code.
- YYWW is the last two digits of the year, and the week number that the part was assembled.
- “L” designates RoHS compliant package.
- Bottom marking: country of origin if not USA.

Package Outline and Package Dimensions (16-pin TSSOP, 173 Mil. Narrow Body)

Package dimensions are kept current with JEDEC Publication No. 95



Symbol	Millimeters		Inches	
	Min	Max	Min	Max
A	--	1.20	--	0.047
A1	0.05	0.15	0.002	0.006
A2	0.80	1.05	0.032	0.041
b	0.19	0.30	0.007	0.012
C	0.09	0.20	0.0035	0.008
D	4.90	5.1	0.193	0.201
E	6.40 BASIC		0.252 BASIC	
E1	4.30	4.50	0.169	0.177
e	0.65 Basic		0.0256 Basic	
L	0.45	0.75	0.018	0.030
α	0°	8°	0°	8°
aaa	--	0.10	--	0.004



Ordering Information

Part / Order Number	Marking	Shipping Packaging	Package	Temperature
650G-40A*	See Page 6	Tubes	16-pin TSSOP	0 to +70° C
650G-40AT*		Tape and Reel	16-pin TSSOP	0 to +70° C
650G-40ALF	See Page 6	Tubes	16-pin TSSOP	0 to +70° C
650G-40ALFT		Tape and Reel	16-pin TSSOP	0 to +70° C

***NOTE:** EOL for non-green parts to occur on 5/13/10 per PDN U-09-01

Parts that are ordered with a "LF" suffix to the part number are the Pb-Free configuration and are RoHS compliant.

While the information presented herein has been checked for both accuracy and reliability, Integrated Device Technology (IDT) assumes no responsibility for either its use or for the infringement of any patents or other rights of third parties, which would result from its use. No other circuits, patents, or licenses are implied. This product is intended for use in normal commercial applications. Any other applications such as those requiring extended temperature range, high reliability, or other extraordinary environmental requirements are not recommended without additional processing by IDT. IDT reserves the right to change any circuitry or specifications without notice. IDT does not authorize or warrant any IDT product for use in life support devices or critical medical instruments.

Innovate with IDT and accelerate your future networks. Contact:

www.IDT.com

For Sales

800-345-7015
408-284-8200
Fax: 408-284-2775

For Tech Support

www.idt.com/go/clockhelp

Corporate Headquarters

Integrated Device Technology, Inc.
www.idt.com



www.IDT.com