

## General Purpose 133MHz System Clock

### General Description

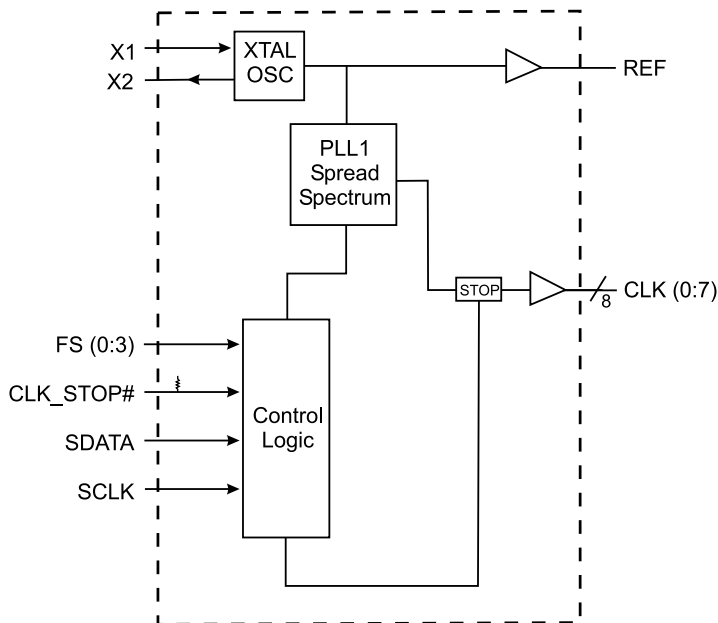
The ICS9248-80 is a general purpose system clock. It provides 8 output CLKs, 1 REF CLK and excellent power management features through CLK\_STOP#.

Spread spectrum may be enabled through I<sup>2</sup>C programming. Spread spectrum typically reduces EMI by 8dB to 10 dB. This simplifies EMI qualification without resorting to board design iterations or costly shielding. The ICS9248-80 employs a proprietary closed loop design, which tightly controls the percentage of spreading over process and temperature variations.

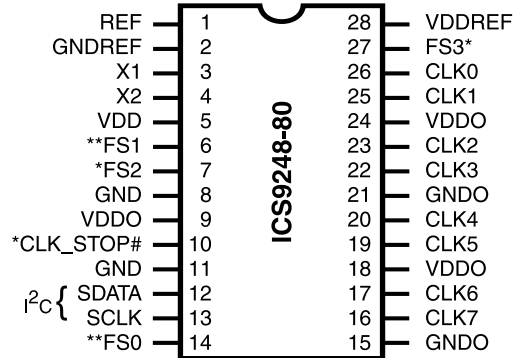
### Features

- Extended temperature range (-20°C to +70°C)
- Output features:
  - 8 CLK outputs @ 3.3V, up to 133.34MHz.
  - 1-REF output @ 3.3V, 14.31818MHz.
- Spread Spectrum for EMI control
- I<sup>2</sup>C interface to stop clocks, select spread and frequency.
- Excellent power management feature through CLK\_STOP# and individual stop clocks through I<sup>2</sup>C.
- Input is from a 14.31818MHz crystal.

### Block Diagram



### Pin Configuration



### 28-Pin 209 mil SSOP

- \* These inputs have a 120K internal pull-up to 3.3V.
- \*\* These inputs have a 120K internal pull-down to GND.

# ICS9248-80



## Pin Descriptions

| Pin number                        | Pin name  | Type | Description                                   |
|-----------------------------------|-----------|------|---|
| 1                                 | REF       | OUT  | 14.318MHz reference clock outputs at 3.3V     |
| 2                                 | GNDREF    | PWR  | Gnd pin for REF clocks                        |
| 3                                 | X1        | IN   | XTAL_IN 14.318MHz crystal input               |
| 4                                 | X2        | OUT  | XTAL_OUT Crystal output                       |
| 5                                 | VDD       | PWR  | 3.3V power input                              |
| 6, 7, 14, 27                      | FS (0:3)  | IN   | Logic - input for frequency selection         |
| 8, 11                             | GND       | PWR  | Ground  |
| 9, 18, 24                         | VDDO      | PWR  | 3.3V power for CLK outputs                    |
| 10                                | CLK_STOP# | IN   | Stops all clock outputs                       |
| 12                                | SDATA     | IN   | Data input for I <sup>2</sup> C serial input. |
| 13                                | SCLK      | IN   | Clock input of I <sup>2</sup> C input         |
| 15, 21                            | GND0      | PWR  | Ground for CLK outputs                        |
| 16, 17, 19, 20,<br>22, 23, 25, 26 | CLK (0:7) | OUT  | Clock outputs up to 133.34MHz                 |
| 28                                | VDDREF    | PWR  | Power pin for REF clocks                      |

## Frequency Selection

| FS3 | FS2 | FS1 | FS0 | CLK (MHz) |
|-----|-----|-----|-----|-----------|
| 0   | 0   | 0   | 0   | 133.34    |
| 0   | 0   | 0   | 1   | 125.01    |
| 0   | 0   | 1   | 0   | 120.00    |
| 0   | 0   | 1   | 1   | 114.99    |
| 0   | 1   | 0   | 0   | 109.99    |
| 0   | 1   | 0   | 1   | 105.00    |
| 0   | 1   | 1   | 0   | 100.00    |
| 0   | 1   | 1   | 1   | 95.00     |
| 1   | 0   | 0   | 0   | 90.00     |
| 1   | 0   | 0   | 1   | 85.01     |
| 1   | 0   | 1   | 0   | 75.00     |
| 1   | 0   | 1   | 1   | 70.00     |
| 1   | 1   | 0   | 0   | 66.67     |
| 1   | 1   | 0   | 1   | 60.00     |
| 1   | 1   | 1   | 0   | 54.99     |
| 1   | 1   | 1   | 1   | 33.33     |



## General I<sup>2</sup>C serial interface information

The information in this section assumes familiarity with I<sup>2</sup>C programming. For more information, contact ICS for an I<sup>2</sup>C programming application note.

### How to Write:

- Controller (host) sends a start bit.
- Controller (host) sends the write address D2<sub>(H)</sub>
- ICS clock will *acknowledge*
- Controller (host) sends a dummy command code
- ICS clock will *acknowledge*
- Controller (host) sends a dummy byte count
- ICS clock will *acknowledge*
- Controller (host) starts sending first byte (Byte 0) through byte 5
- ICS clock will *acknowledge* each byte *one at a time*.
- Controller (host) sends a Stop bit

| How to Write:             |                      |
|---------------------------|----------------------|
| Controller (Host)         | ICS (Slave/Receiver) |
| Start Bit                 |                      |
| Address D2 <sub>(H)</sub> |                      |
|                           | <b>ACK</b>           |
| Dummy Command Code        |                      |
|                           | <b>ACK</b>           |
| Dummy Byte Count          |                      |
|                           | <b>ACK</b>           |
| Byte 0                    |                      |
|                           | <b>ACK</b>           |
| Byte 1                    |                      |
|                           | <b>ACK</b>           |
| Byte 2                    |                      |
|                           | <b>ACK</b>           |
| Byte 3                    |                      |
|                           | <b>ACK</b>           |
| Byte 4                    |                      |
|                           | <b>ACK</b>           |
| Byte 5                    |                      |
|                           | <b>ACK</b>           |
| Stop Bit                  |                      |

### How to Read:

- Controller (host) will send start bit.
- Controller (host) sends the read address D3<sub>(H)</sub>
- ICS clock will *acknowledge*
- ICS clock will send the *byte count*
- Controller (host) acknowledges
- ICS clock sends first byte (*Byte 0*) through *byte 5*
- Controller (host) will need to acknowledge each byte
- Controller (host) will send a stop bit

| How to Read:              |                      |
|---------------------------|----------------------|
| Controller (Host)         | ICS (Slave/Receiver) |
| Start Bit                 |                      |
| Address D3 <sub>(H)</sub> |                      |
|                           | <b>ACK</b>           |
|                           | <b>Byte Count</b>    |
| ACK                       |                      |
|                           | <b>Byte 0</b>        |
| ACK                       |                      |
|                           | <b>Byte 1</b>        |
| ACK                       |                      |
|                           | <b>Byte 2</b>        |
| ACK                       |                      |
|                           | <b>Byte 3</b>        |
| ACK                       |                      |
|                           | <b>Byte 4</b>        |
| ACK                       |                      |
|                           | <b>Byte 5</b>        |
| ACK                       |                      |
| Stop Bit                  |                      |

### Notes:

1. The ICS clock generator is a slave/receiver, I<sup>2</sup>C component. It can read back the data stored in the latches for verification. **Read-Back will support Intel PIIX4 "Block-Read" protocol.**
2. The data transfer rate supported by this clock generator is 100K bits/sec or less (standard mode)
3. The input is operating at 3.3V logic levels.
4. The data byte format is 8 bit bytes.
5. To simplify the clock generator I<sup>2</sup>C interface, the protocol is set to use only "**Block-Writes**" from the controller. The bytes must be accessed in sequential order from lowest to highest byte with the ability to stop after any complete byte has been transferred. The Command code and Byte count shown above must be sent, but the data is ignored for those two bytes. The data is loaded until a Stop sequence is issued.
6. At power-on, all registers are set to a default condition, as shown.

# ICS9248-80



## Byte 0: Functionality and frequency select register (Default=0)

(1 = Running, 0 = Stopped Low)

| Bit          | Description   | PWD  |   |       |               |               |   |   |   |   |   |   |   |   |        |   |   |   |   |        |   |   |   |   |        |   |   |   |   |        |   |   |   |   |        |   |   |   |   |        |   |   |   |   |        |   |   |   |   |       |   |   |   |   |       |   |   |   |   |       |   |   |   |   |       |   |   |   |   |       |   |   |   |   |       |   |   |   |   |       |   |   |   |   |       |   |   |   |   |       |        |
|--------------|---|------|---|-------|---------------|---------------|---|---|---|---|---|---|---|---|--------|---|---|---|---|--------|---|---|---|---|--------|---|---|---|---|--------|---|---|---|---|--------|---|---|---|---|--------|---|---|---|---|--------|---|---|---|---|-------|---|---|---|---|-------|---|---|---|---|-------|---|---|---|---|-------|---|---|---|---|-------|---|---|---|---|-------|---|---|---|---|-------|---|---|---|---|-------|---|---|---|---|-------|--------|
| Bit7         | 0: 0 to -0.5% down spread   | 0    |   |       |               |               |   |   |   |   |   |   |   |   |        |   |   |   |   |        |   |   |   |   |        |   |   |   |   |        |   |   |   |   |        |   |   |   |   |        |   |   |   |   |        |   |   |   |   |       |   |   |   |   |       |   |   |   |   |       |   |   |   |   |       |   |   |   |   |       |   |   |   |   |       |   |   |   |   |       |   |   |   |   |       |   |   |   |   |       |        |
|              | 1: 0 to -1.0% down spread   |      |   |       |               |               |   |   |   |   |   |   |   |   |        |   |   |   |   |        |   |   |   |   |        |   |   |   |   |        |   |   |   |   |        |   |   |   |   |        |   |   |   |   |        |   |   |   |   |       |   |   |   |   |       |   |   |   |   |       |   |   |   |   |       |   |   |   |   |       |   |   |   |   |       |   |   |   |   |       |   |   |   |   |       |   |   |   |   |       |        |
| Bit (2, 6:4) | <table border="1"> <thead> <tr> <th colspan="4">Bits</th> <th rowspan="2">CLK frequency</th> </tr> <tr> <th>2</th> <th>6</th> <th>5</th> <th>4</th> </tr> </thead> <tbody> <tr><td>0</td><td>0</td><td>0</td><td>0</td><td>133.34</td></tr> <tr><td>0</td><td>0</td><td>0</td><td>1</td><td>125.01</td></tr> <tr><td>0</td><td>0</td><td>1</td><td>0</td><td>120.00</td></tr> <tr><td>0</td><td>0</td><td>1</td><td>1</td><td>114.99</td></tr> <tr><td>0</td><td>1</td><td>0</td><td>0</td><td>109.99</td></tr> <tr><td>0</td><td>1</td><td>0</td><td>1</td><td>105.00</td></tr> <tr><td>0</td><td>1</td><td>1</td><td>0</td><td>100.00</td></tr> <tr><td>0</td><td>1</td><td>1</td><td>1</td><td>95.00</td></tr> <tr><td>1</td><td>0</td><td>0</td><td>0</td><td>91.00</td></tr> <tr><td>1</td><td>0</td><td>0</td><td>1</td><td>85.01</td></tr> <tr><td>1</td><td>0</td><td>1</td><td>0</td><td>75.00</td></tr> <tr><td>1</td><td>0</td><td>1</td><td>1</td><td>70.00</td></tr> <tr><td>1</td><td>1</td><td>0</td><td>0</td><td>66.67</td></tr> <tr><td>1</td><td>1</td><td>0</td><td>1</td><td>60.00</td></tr> <tr><td>1</td><td>1</td><td>1</td><td>0</td><td>54.99</td></tr> <tr><td>1</td><td>1</td><td>1</td><td>1</td><td>33.33</td></tr> </tbody> </table> | Bits |   |       |               | CLK frequency | 2 | 6 | 5 | 4 | 0 | 0 | 0 | 0 | 133.34 | 0 | 0 | 0 | 1 | 125.01 | 0 | 0 | 1 | 0 | 120.00 | 0 | 0 | 1 | 1 | 114.99 | 0 | 1 | 0 | 0 | 109.99 | 0 | 1 | 0 | 1 | 105.00 | 0 | 1 | 1 | 0 | 100.00 | 0 | 1 | 1 | 1 | 95.00 | 1 | 0 | 0 | 0 | 91.00 | 1 | 0 | 0 | 1 | 85.01 | 1 | 0 | 1 | 0 | 75.00 | 1 | 0 | 1 | 1 | 70.00 | 1 | 1 | 0 | 0 | 66.67 | 1 | 1 | 0 | 1 | 60.00 | 1 | 1 | 1 | 0 | 54.99 | 1 | 1 | 1 | 1 | 33.33 | Note 1 |
|              | Bits  |      |   |       | CLK frequency |               |   |   |   |   |   |   |   |   |        |   |   |   |   |        |   |   |   |   |        |   |   |   |   |        |   |   |   |   |        |   |   |   |   |        |   |   |   |   |        |   |   |   |   |       |   |   |   |   |       |   |   |   |   |       |   |   |   |   |       |   |   |   |   |       |   |   |   |   |       |   |   |   |   |       |   |   |   |   |       |   |   |   |   |       |        |
|              | 2   | 6    | 5 | 4     |               |               |   |   |   |   |   |   |   |   |        |   |   |   |   |        |   |   |   |   |        |   |   |   |   |        |   |   |   |   |        |   |   |   |   |        |   |   |   |   |        |   |   |   |   |       |   |   |   |   |       |   |   |   |   |       |   |   |   |   |       |   |   |   |   |       |   |   |   |   |       |   |   |   |   |       |   |   |   |   |       |   |   |   |   |       |        |
|              | 0   | 0    | 0 | 0     | 133.34        |               |   |   |   |   |   |   |   |   |        |   |   |   |   |        |   |   |   |   |        |   |   |   |   |        |   |   |   |   |        |   |   |   |   |        |   |   |   |   |        |   |   |   |   |       |   |   |   |   |       |   |   |   |   |       |   |   |   |   |       |   |   |   |   |       |   |   |   |   |       |   |   |   |   |       |   |   |   |   |       |   |   |   |   |       |        |
|              | 0   | 0    | 0 | 1     | 125.01        |               |   |   |   |   |   |   |   |   |        |   |   |   |   |        |   |   |   |   |        |   |   |   |   |        |   |   |   |   |        |   |   |   |   |        |   |   |   |   |        |   |   |   |   |       |   |   |   |   |       |   |   |   |   |       |   |   |   |   |       |   |   |   |   |       |   |   |   |   |       |   |   |   |   |       |   |   |   |   |       |   |   |   |   |       |        |
|              | 0   | 0    | 1 | 0     | 120.00        |               |   |   |   |   |   |   |   |   |        |   |   |   |   |        |   |   |   |   |        |   |   |   |   |        |   |   |   |   |        |   |   |   |   |        |   |   |   |   |        |   |   |   |   |       |   |   |   |   |       |   |   |   |   |       |   |   |   |   |       |   |   |   |   |       |   |   |   |   |       |   |   |   |   |       |   |   |   |   |       |   |   |   |   |       |        |
|              | 0   | 0    | 1 | 1     | 114.99        |               |   |   |   |   |   |   |   |   |        |   |   |   |   |        |   |   |   |   |        |   |   |   |   |        |   |   |   |   |        |   |   |   |   |        |   |   |   |   |        |   |   |   |   |       |   |   |   |   |       |   |   |   |   |       |   |   |   |   |       |   |   |   |   |       |   |   |   |   |       |   |   |   |   |       |   |   |   |   |       |   |   |   |   |       |        |
|              | 0   | 1    | 0 | 0     | 109.99        |               |   |   |   |   |   |   |   |   |        |   |   |   |   |        |   |   |   |   |        |   |   |   |   |        |   |   |   |   |        |   |   |   |   |        |   |   |   |   |        |   |   |   |   |       |   |   |   |   |       |   |   |   |   |       |   |   |   |   |       |   |   |   |   |       |   |   |   |   |       |   |   |   |   |       |   |   |   |   |       |   |   |   |   |       |        |
|              | 0   | 1    | 0 | 1     | 105.00        |               |   |   |   |   |   |   |   |   |        |   |   |   |   |        |   |   |   |   |        |   |   |   |   |        |   |   |   |   |        |   |   |   |   |        |   |   |   |   |        |   |   |   |   |       |   |   |   |   |       |   |   |   |   |       |   |   |   |   |       |   |   |   |   |       |   |   |   |   |       |   |   |   |   |       |   |   |   |   |       |   |   |   |   |       |        |
|              | 0   | 1    | 1 | 0     | 100.00        |               |   |   |   |   |   |   |   |   |        |   |   |   |   |        |   |   |   |   |        |   |   |   |   |        |   |   |   |   |        |   |   |   |   |        |   |   |   |   |        |   |   |   |   |       |   |   |   |   |       |   |   |   |   |       |   |   |   |   |       |   |   |   |   |       |   |   |   |   |       |   |   |   |   |       |   |   |   |   |       |   |   |   |   |       |        |
|              | 0   | 1    | 1 | 1     | 95.00         |               |   |   |   |   |   |   |   |   |        |   |   |   |   |        |   |   |   |   |        |   |   |   |   |        |   |   |   |   |        |   |   |   |   |        |   |   |   |   |        |   |   |   |   |       |   |   |   |   |       |   |   |   |   |       |   |   |   |   |       |   |   |   |   |       |   |   |   |   |       |   |   |   |   |       |   |   |   |   |       |   |   |   |   |       |        |
|              | 1   | 0    | 0 | 0     | 91.00         |               |   |   |   |   |   |   |   |   |        |   |   |   |   |        |   |   |   |   |        |   |   |   |   |        |   |   |   |   |        |   |   |   |   |        |   |   |   |   |        |   |   |   |   |       |   |   |   |   |       |   |   |   |   |       |   |   |   |   |       |   |   |   |   |       |   |   |   |   |       |   |   |   |   |       |   |   |   |   |       |   |   |   |   |       |        |
|              | 1   | 0    | 0 | 1     | 85.01         |               |   |   |   |   |   |   |   |   |        |   |   |   |   |        |   |   |   |   |        |   |   |   |   |        |   |   |   |   |        |   |   |   |   |        |   |   |   |   |        |   |   |   |   |       |   |   |   |   |       |   |   |   |   |       |   |   |   |   |       |   |   |   |   |       |   |   |   |   |       |   |   |   |   |       |   |   |   |   |       |   |   |   |   |       |        |
|              | 1   | 0    | 1 | 0     | 75.00         |               |   |   |   |   |   |   |   |   |        |   |   |   |   |        |   |   |   |   |        |   |   |   |   |        |   |   |   |   |        |   |   |   |   |        |   |   |   |   |        |   |   |   |   |       |   |   |   |   |       |   |   |   |   |       |   |   |   |   |       |   |   |   |   |       |   |   |   |   |       |   |   |   |   |       |   |   |   |   |       |   |   |   |   |       |        |
|              | 1   | 0    | 1 | 1     | 70.00         |               |   |   |   |   |   |   |   |   |        |   |   |   |   |        |   |   |   |   |        |   |   |   |   |        |   |   |   |   |        |   |   |   |   |        |   |   |   |   |        |   |   |   |   |       |   |   |   |   |       |   |   |   |   |       |   |   |   |   |       |   |   |   |   |       |   |   |   |   |       |   |   |   |   |       |   |   |   |   |       |   |   |   |   |       |        |
| 1            | 1   | 0    | 0 | 66.67 |               |               |   |   |   |   |   |   |   |   |        |   |   |   |   |        |   |   |   |   |        |   |   |   |   |        |   |   |   |   |        |   |   |   |   |        |   |   |   |   |        |   |   |   |   |       |   |   |   |   |       |   |   |   |   |       |   |   |   |   |       |   |   |   |   |       |   |   |   |   |       |   |   |   |   |       |   |   |   |   |       |   |   |   |   |       |        |
| 1            | 1   | 0    | 1 | 60.00 |               |               |   |   |   |   |   |   |   |   |        |   |   |   |   |        |   |   |   |   |        |   |   |   |   |        |   |   |   |   |        |   |   |   |   |        |   |   |   |   |        |   |   |   |   |       |   |   |   |   |       |   |   |   |   |       |   |   |   |   |       |   |   |   |   |       |   |   |   |   |       |   |   |   |   |       |   |   |   |   |       |   |   |   |   |       |        |
| 1            | 1   | 1    | 0 | 54.99 |               |               |   |   |   |   |   |   |   |   |        |   |   |   |   |        |   |   |   |   |        |   |   |   |   |        |   |   |   |   |        |   |   |   |   |        |   |   |   |   |        |   |   |   |   |       |   |   |   |   |       |   |   |   |   |       |   |   |   |   |       |   |   |   |   |       |   |   |   |   |       |   |   |   |   |       |   |   |   |   |       |   |   |   |   |       |        |
| 1            | 1   | 1    | 1 | 33.33 |               |               |   |   |   |   |   |   |   |   |        |   |   |   |   |        |   |   |   |   |        |   |   |   |   |        |   |   |   |   |        |   |   |   |   |        |   |   |   |   |        |   |   |   |   |       |   |   |   |   |       |   |   |   |   |       |   |   |   |   |       |   |   |   |   |       |   |   |   |   |       |   |   |   |   |       |   |   |   |   |       |   |   |   |   |       |        |
| Bit3         | 0: Frequency is selected by hardware FS(0:3)<br>1: frequency is selected by bits 2, 6:4 of I <sup>2</sup> C   | 0    |   |       |               |               |   |   |   |   |   |   |   |   |        |   |   |   |   |        |   |   |   |   |        |   |   |   |   |        |   |   |   |   |        |   |   |   |   |        |   |   |   |   |        |   |   |   |   |       |   |   |   |   |       |   |   |   |   |       |   |   |   |   |       |   |   |   |   |       |   |   |   |   |       |   |   |   |   |       |   |   |   |   |       |   |   |   |   |       |        |
| Bit1         | 0: Normal<br>1: Spread  | 0    |   |       |               |               |   |   |   |   |   |   |   |   |        |   |   |   |   |        |   |   |   |   |        |   |   |   |   |        |   |   |   |   |        |   |   |   |   |        |   |   |   |   |        |   |   |   |   |       |   |   |   |   |       |   |   |   |   |       |   |   |   |   |       |   |   |   |   |       |   |   |   |   |       |   |   |   |   |       |   |   |   |   |       |   |   |   |   |       |        |
| Bit0         | 0: Outputs running<br>1: Outputs tri-stated   | 0    |   |       |               |               |   |   |   |   |   |   |   |   |        |   |   |   |   |        |   |   |   |   |        |   |   |   |   |        |   |   |   |   |        |   |   |   |   |        |   |   |   |   |        |   |   |   |   |       |   |   |   |   |       |   |   |   |   |       |   |   |   |   |       |   |   |   |   |       |   |   |   |   |       |   |   |   |   |       |   |   |   |   |       |   |   |   |   |       |        |

### Notes:

1. Default is for frequency control thru hardware pins.

## Byte 1: CLK output control register

(1 = Running, 0 = Stopped Low)

| Bit   | Pin# | PWD | Description |
|-------|------|-----|-------------|
| Bit 7 | 16   | 1   | CLK7        |
| Bit 6 | 17   | 1   | CLK6        |
| Bit 5 | 19   | 1   | CLK5        |
| Bit 4 | 20   | 1   | CLK4        |
| Bit 3 | 22   | 1   | CLK3        |
| Bit 2 | 23   | 1   | CLK2        |
| Bit 1 | 25   | 1   | CLK1        |
| Bit 0 | 26   | 1   | CLK0        |



## Absolute Maximum Ratings

|                               |                                     |
|-------------------------------|-------------------------------------|
| Core Supply Voltage           | 4.6 V                               |
| I/O Supply Voltage            | 3.6V                                |
| Logic Inputs                  | GND-0.5 V to V <sub>DD</sub> +0.5 V |
| Ambient Operating Temperature | -20°C to +70°C                      |
| Storage Temperature           | -65°C to +150°C                     |

Stresses above those listed under *Absolute Maximum Ratings* may cause permanent damage to the device. These ratings are stress specifications only and functional operation of the device at these or any other conditions above those listed in the operational sections of the specifications is not implied. Exposure to absolute maximum rating conditions for extended periods may affect product reliability.

## Electrical Characteristics - Input/Supply/Common Output Parameters

T<sub>A</sub> = -20°C - +70° C; Supply Voltage V<sub>DD</sub> = 3.3 V +/-5% (unless otherwise stated)

| PARAMETER                      | SYMBOL               | CONDITIONS  | MIN                  | TYP    | MAX                  | UNITS |
|--------------------------------|----------------------|---|----------------------|--------|----------------------|-------|
| Input High Voltage             | V <sub>IH</sub>      |   | 2                    |        | V <sub>DD</sub> +0.3 | V     |
| Input Low Voltage              | V <sub>IL</sub>      |   | V <sub>SS</sub> -0.3 |        | 0.8                  | V     |
| Input High Current             | I <sub>IH</sub>      | V <sub>IN</sub> = V <sub>DD</sub>                       |                      | 0.1    | 5                    | μA    |
| Input Low Current              | I <sub>IL1</sub>     | V <sub>IN</sub> = 0 V; Inputs with no pull-up resistors | -5                   | 2.0    |                      | μA    |
| Input Low Current              | I <sub>IL2</sub>     | V <sub>IN</sub> = 0 V; Inputs with pull-up resistors    | -200                 | -100   |                      | μA    |
| Operating Supply Current       | I <sub>DD2.5OP</sub> | C <sub>L</sub> = 0 pF; Select @ 66 MHz                  |                      | 50     | 100                  | mA    |
| Input frequency                | F <sub>i</sub>       | V <sub>DD</sub> = 3.3 V;                                |                      | 14.318 |                      | MHz   |
| Input Capacitance <sup>1</sup> | C <sub>IN</sub>      | Logic Inputs  |                      |        | 5                    | pF    |
|                                | C <sub>INX</sub>     | X1 & X2 pins  |                      | 6      |                      | pF    |
| Transition Time <sup>1</sup>   | T <sub>Trans</sub>   | To first crossing of target Freq.                       |                      | 1.3    | 2                    | ms    |
| Settling Time <sup>1</sup>     | T <sub>S</sub>       | From first crossing to 1% of target Freq.               |                      | 0.3    |                      | ms    |
| Clk Stabilization <sup>1</sup> | T <sub>STAB</sub>    | From V <sub>DD</sub> = 3.3 V to 1% target Freq.         |                      | <3     | 3                    | ms    |

<sup>1</sup>Guaranteed by design, not 100% tested in production.

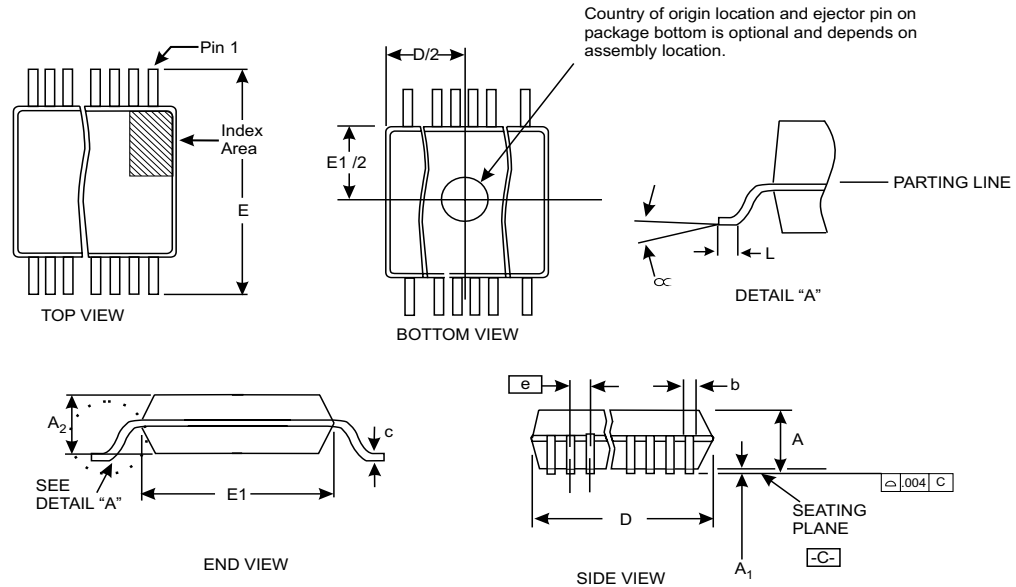


## Electrical Characteristics - CLK

$T_A = -20^{\circ}\text{C} - +70^{\circ}\text{C}$ ;  $V_{DD} = 3.3\text{ V} \pm 5\%$ ;  $C_L = 30\text{ pF}$  (unless otherwise stated)

| PARAMETER                     | SYMBOL      | CONDITIONS  | MIN | TYP | MAX  | UNITS |
|-------------------------------|-------------|---|-----|-----|------|-------|
| Output High Voltage           | $V_{OH3}$   | $I_{OH} = -1\text{ mA}$                                 | 2   |     |      | V     |
| Output Low Voltage            | $V_{OL3}$   | $I_{OL} = 1\text{ mA}$                                  |     |     | 0.4  | V     |
| Output High Current           | $I_{OH3}$   | $V_{OH@Min} = 1.0\text{ V}, V_{OH@Max} = 2375\text{ V}$ | -27 |     | 27   | mA    |
| Output Low Current            | $I_{OL3}$   | $V_{OL@Min} = 1.2\text{ V}, V_{OL@Max} = 0.3\text{ V}$  | 27  |     | 30   | mA    |
| Rise Time                     | $T_{r3}^1$  | $V_{OL} = 0.4\text{ V}, V_{OH} = 2.0\text{ V}$          |     |     | 1.33 | ns    |
| Fall Time                     | $T_{f3}^1$  | $V_{OH} = 2.0\text{ V}, V_{OL} = 0.4\text{ V}$          |     |     | 1.4  | ns    |
| Duty Cycle                    | $D_{t3}^1$  | $V_T = 1.25\text{ V}$                                   | 45  | 55  | 58   | %     |
| Skew <sup>1</sup>             | $T_{sk1}$   | $V_T = 1.25\text{ V}$                                   |     |     | 250  | ps    |
| Jitter, cyc-cyc               | $t_{jcy}$   | $V_T = 1.25\text{ V}$                                   |     |     | 250  | ps    |
| Jitter, Absolute <sup>1</sup> | $t_{jabs1}$ | $V_T = 1.25\text{ V}$                                   |     |     | 250  | ps    |

<sup>1</sup>Guarenteed by design, not 100% tested in production.



| SYMBOL | COMMON DIMENSIONS |       |       | VARIATIONS  | D     |       |       |
|--------|-------------------|-------|-------|---|-------|-------|-------|
|        | MIN.              | NOM.  | MAX.  |   | MIN.  | NOM.  | MAX.  |
| A      | -                 | -     | 0.078 | 14  | 0.232 | 0.244 | 0.256 |
| A1     | 0.002             | -     | -     | 16  | 0.232 | 0.244 | 0.256 |
| A2     | 0.065             | 0.069 | 0.073 | 20  | 0.272 | 0.284 | 0.295 |
| b      | 0.009             | 0.012 | 0.015 | 24  | 0.311 | 0.323 | 0.335 |
| c      | 0.004             | -     | 0.010 | 28  | 0.390 | 0.402 | 0.413 |
| D      | See Variations    |       |       | 30  | 0.390 | 0.402 | 0.413 |
| E1     | 0.197             | 0.209 | 0.220 | Dimensions in inches<br><br><b>209 mil SSOP Package</b> |       |       |       |
| e      | 0.0256 BSC        |       |       |   |       |       |       |
| E      | 0.291             | 0.307 | 0.323 |   |       |       |       |
| L      | 0.022             | 0.030 | 0.037 |   |       |       |       |
| N      | See Variations    |       |       |   |       |       |       |
| ∞      | 0°                | 4°    | 8°    |   |       |       |       |
| ∞      | 0°                | 4°    | 8°    |   |       |       |       |

## Ordering Information

ICS9248yF-80-T

Example:

ICS XXXX y F - PPP - T

