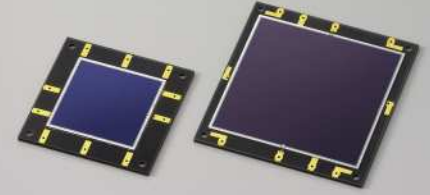


Si PIN photodiode S5377/S4276 series

Large area Si PIN photodiode for direct detection



S5377/S4276 series are large-area photodiodes specifically designed for the direct detection of high-energy charged particles and X-rays. These detectors are mounted on PC boards with openings for the purpose of ΔE detection of charged particles. Other Si detectors and PSDs with different configurations, thicknesses and surface areas are also available upon request.

Features

- Large area
- Low dark current
- Excellent about bias voltage tolerance

Applications

- Heavy ions energy detection
- X-ray detection
- $\Delta E/E$ detection

■ Specifications / Absolute maximum ratings

Type No.	Active area (mm)	Chip thickness (μm)	Uniform thickness (μm)	Surface orientation	Dead layer thickness *1		Absolute maximum ratings			
					Front side (μm)	Rear side (μm)	Reverse voltage V_R (V)	Current (mA)	Operating temperature *2 T_{opr} ($^{\circ}\text{C}$)	Storage temperature *2 T_{stg} ($^{\circ}\text{C}$)
S5377-04	28 × 28	325 ± 15	4.0	(111)	1.5	20	120	2	0 to +60	0 to +80
S5377-05		280 ± 15								
S5377-02		500 ± 15								
S5377-03		450 ± 15								
S4276-02	48 × 48	325 ± 15	5.0			20	120			
S4276-03		280 ± 15								

*1: Estimated value

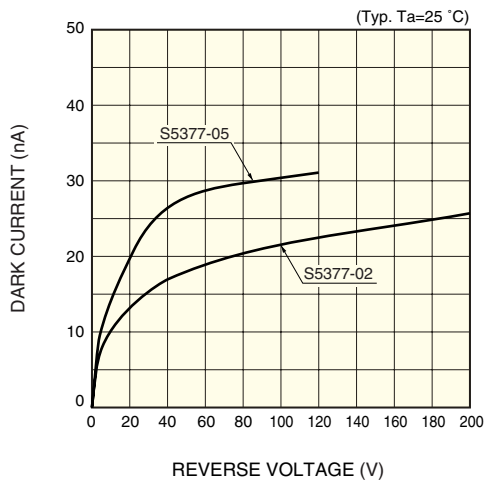
*2: No condensation

■ Electrical and optical characteristics (Typ. $T_a=25^{\circ}\text{C}$, unless otherwise noted)

Type No.	Full depletion voltage V_D Max. (V)	Dark current I_D		Rise time *3 t_r (ns)	Terminal capacitance C_t $V_R = V_D$ $f=100\text{ kHz}$ (pF)
		Typ. (nA)	Max. (nA)		
S5377-04	100	10	50	70	300
S5377-05		60	300		320
S5377-02	170	30	150	40	190
S5377-03		200	1000		200
S4276-02	100	20	100	100	860
S4276-03		200	1000		900

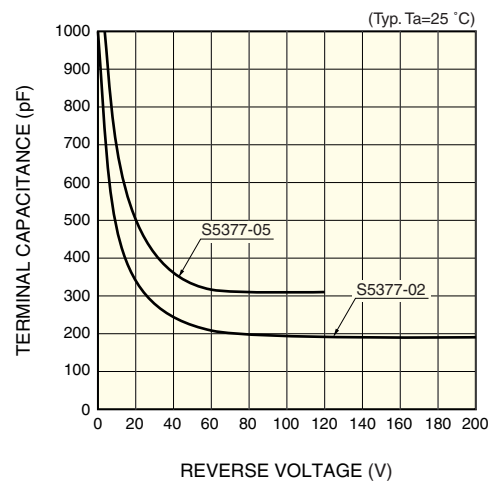
*3: Rise time is the time required for transition from 10 % to 90 % of the peak output value. The light source is a delta function pulse of a laser diode (800 nm) and the load resistance is 50 Ω .

■ Dark current vs. reverse voltage



KPIN0235EA

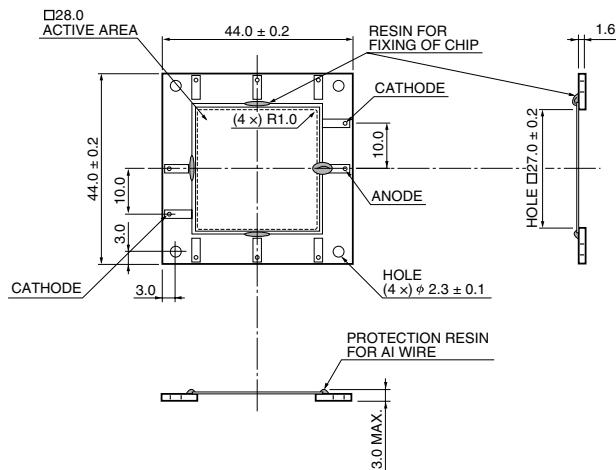
■ Terminal capacitance vs. reverse voltage



KPIN0236EA

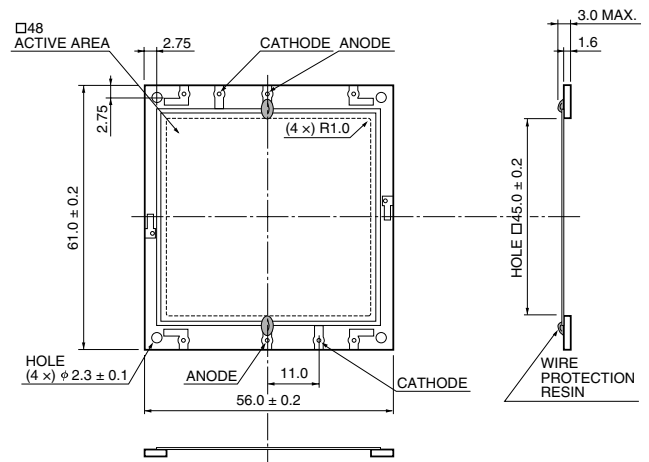
■ Dimensional outlines [unit: mm, tolerance unless otherwise noted: ±0.2, material of PCB: G10 (black)]

S5377 series



KSPDA0023EC

S4276 series



KSPDA0024EB

■ Reference

T. MOTOBAYASHI, et al., "PARTICLE IDENTIFICATION OF HEAVY IONS WITH LARGE SILICON DETECTORS", Nucl. Instr. Meth. A284 (1989) 526-528

HAMAMATSU

Information furnished by HAMAMATSU is believed to be reliable. However, no responsibility is assumed for possible inaccuracies or omissions. Specifications are subject to change without notice. No patent rights are granted to any of the circuits described herein. ©2001 Hamamatsu Photonics K.K.

HAMAMATSU PHOTONICS K.K., Solid State Division

1126-1 Ichino-cho, Hamamatsu City, 435-8558 Japan, Telephone: (81) 053-434-3311, Fax: (81) 053-434-5184, <http://www.hamamatsu.com>

U.S.A.: Hamamatsu Corporation: 360 Foothill Road, P.O.Box 6910, Bridgewater, N.J. 08807-0910, U.S.A., Telephone: (1) 908-231-0960, Fax: (1) 908-231-1218

Germany: Hamamatsu Photonics Deutschland GmbH: Arzbergerstr. 10, D-82211 Herrsching am Ammersee, Germany, Telephone: (49) 08152-3750, Fax: (49) 08152-2658

France: Hamamatsu Photonics France S.A.R.L.: 8, Rue du Saule Trapu, Parc du Moulin de Massy, 91882 Massy Cedex, France, Telephone: 33-(1) 69 53 71 00, Fax: 33-(1) 69 53 71 10

United Kingdom: Hamamatsu Photonics UK Limited: 2 Howard Court, 10 Tewin Road, Welwyn Garden City, Hertfordshire AL7 1BW, United Kingdom, Telephone: (44) 1707-294888, Fax: (44) 1707-325777

North Europe: Hamamatsu Photonics Norden AB: Smidesvägen 12, SE-171 41 Solna, Sweden, Telephone: (46) 8-509-031-00, Fax: (46) 8-509-031-01

Italy: Hamamatsu Photonics Italia S.R.L.: Strada della Moia, 1/E, 20020 Arese, (Milano), Italy, Telephone: (39) 02-935-81-733, Fax: (39) 02-935-81-741

Cat. No. KPIN1058E01
Mar. 2001 DN