

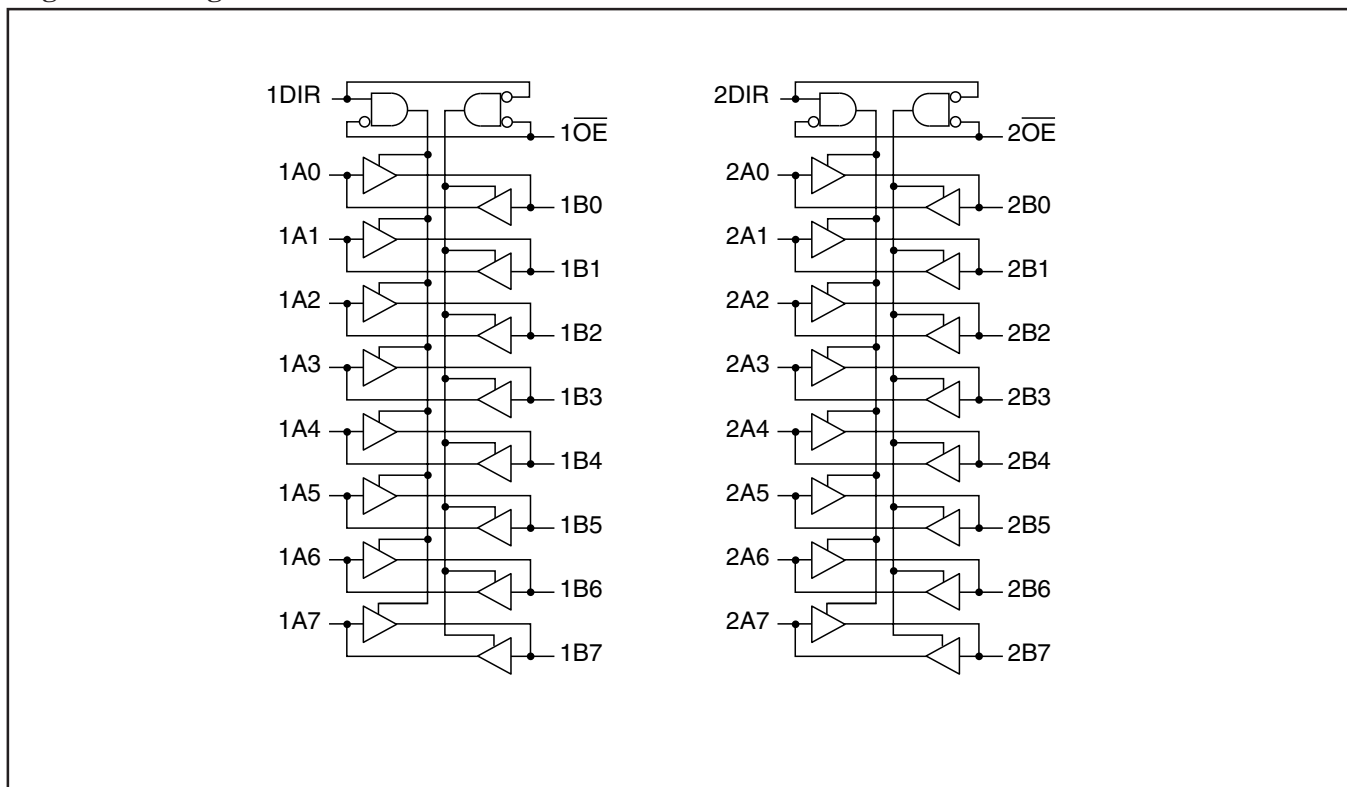
**Product Features**

- PI74AVC+16245 is designed for low-voltage operation,  $V_{CC} = 1.65V$  to  $3.6V$
- True  $\pm 24mA$  Balanced Drive @  $3.3V$
- Compatible with Philips and T.I. AVC Logic family
- $I_{OFF}$  supports partial power-down operation
- $3.6V$  I/O Tolerant inputs and outputs
- All outputs contain a patented DDC (Dynamic Drive Control) circuit that reduces noise without degrading propagation delay
- Industrial operation:  $-40^{\circ}C$  to  $+85^{\circ}C$
- Packaging (Pb-free & Green available):
  - 48-pin 240-mil wide plastic TSSOP
  - 48-pin 173-mil wide plastic TVSOP

**Product Description**

The PI74AVC+16245 is a 16-bit bidirectional transceiver designed for asynchronous two-way communication between data buses. The direction control input pin (xDIR) determines the direction of data flow through the bidirectional transceiver. The Direction and Output Enable controls are designed to operate this device as either two independent 8-bit transceivers or one 16-bit transceiver. The output enable ( $\overline{OE}$ ) input, when HIGH, disables both A and B ports by placing them in HIGH Z condition.

To ensure the high-impedance state during power up or power down,  $\overline{OE}$  should be tied to  $V_{CC}$  through a pull-up resistor; the minimum value of the resistor is determined by the current sinking ability of the driver.

**Logic Block Diagram**


**Maximum Ratings** (Above which the useful life may be impaired. For user guidelines, not tested.)

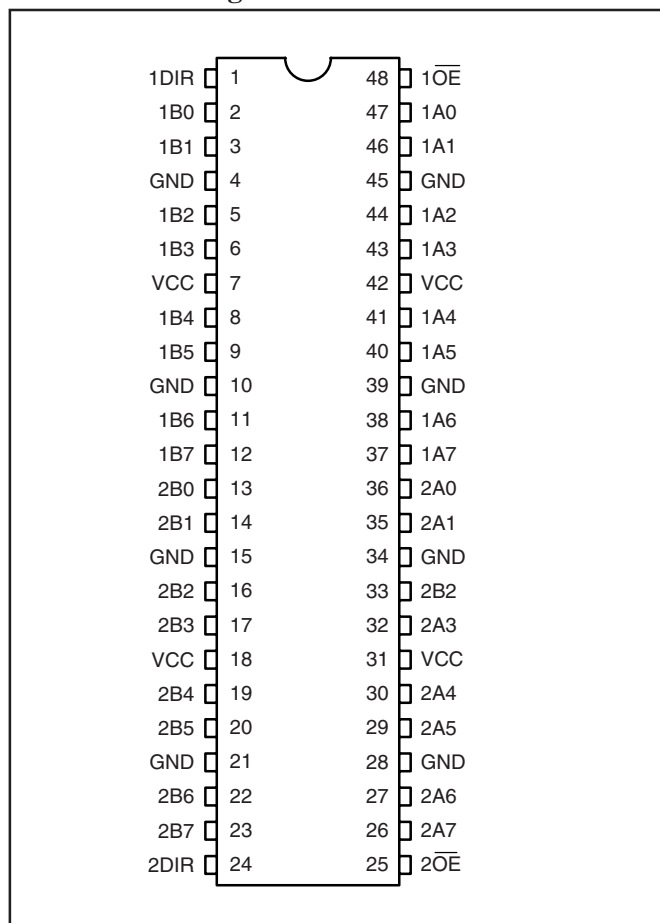
Supply voltage range, $V_{CC}$ .....	-0.5V to +4.6V
Input voltage range, $V_I$ .....	-0.5V to +4.6V
Voltage range applied to any output in the high-impedance or power-off state, $V_O^{(1)}$ .....	-0.5V to +4.6V
Voltage range applied to any output in the high or low state, $V_O^{(1,2)}$ .....	-0.5V to $V_{CC}+0.5V$
Input clamp current, $I_{IK} (V_I < 0)$ .....	-50mA
Output clamp current, $I_{OK} (V_O < 0)$ .....	-50mA
Continuous output current, $I_O$ .....	$\pm 50mA$
Continuous current through each $V_{CC}$ or GND .....	$\pm 100mA$
Package thermal impedance, $\theta_{JA}^{(3)}$ : package A .....	64°C/W
package K .....	48°C/W
Storage Temperature range, $T_{stg}$ .....	-65°C to 150°C

**Notes:**

Stresses greater than those listed under MAXIMUM RATINGS may cause permanent damage to the device. This is a stress rating only and functional operation of the device at these or any other conditions above those indicated in the operational sections of this specification is not implied. Exposure to absolute maximum rating conditions for extended periods may affect reliability.

1. Input & output negative-voltage ratings may be exceeded if the input and output current rating are observed.
2. Output positive-voltage rating may be exceeded up to 4.6V maximum if the output current rating is observed.
3. The package thermal impedance is calculated in accordance with JEDEC 51.

**Product Pin Configuration**



**Product Pin Description**

Pin Name	Description
$\overline{xOE}$	3-State Output Enable Inputs (Active LOW)
xDIR	Direction Control Input
xAx	Side A Inputs or 3-State Inputs
xBx	Side B Outputs or 3-State Outputs
GND	Ground
$V_{CC}$	Power

**Truth Table<sup>(1)</sup>**

Inputs		Outputs
$\overline{xOE}$	xDIR	
L	L	Bus B Data to Bus A
L	H	Bus A Data to Bus B
H	X	Z

**Notes:**

1. H = High Signal Level  
L = Low Signal Level  
X = Don't Care or Irrelevant  
Z = High Impedance

### Recommended Operating Conditions<sup>(1)</sup>

			Min.	Max.	Units
V <sub>CC</sub>	Supply Voltage	Operating	1.4	3.6	V
		Data retention only	1.2		
V <sub>IH</sub>	High-level Input Voltage	V <sub>CC</sub> = 1.2V	V <sub>CC</sub>		
		V <sub>CC</sub> = 1.4V to 1.6V	0.65 x V <sub>CC</sub>		
		V <sub>CC</sub> = 1.65V to 1.95V	0.65 x V <sub>CC</sub>		
		V <sub>CC</sub> = 2.3V to 2.7V	1.7		
		V <sub>CC</sub> = 3V to 3.6V	2		
V <sub>IL</sub>	Low-level Input Voltage	V <sub>CC</sub> = 1.2V		GND	
		V <sub>CC</sub> = 1.4V to 1.6V		0.35 x V <sub>CC</sub>	
		V <sub>CC</sub> = 1.65V to 1.95V		0.35 x V <sub>CC</sub>	
		V <sub>CC</sub> = 2.3V to 2.7V		0.7	
		V <sub>CC</sub> = 3V to 3.6V		0.8	
V <sub>I</sub>	Input Voltage		0	3.6	
V <sub>O</sub>	Output Voltage	Active State	0	V <sub>CC</sub>	
		3-State	0	3.6	
I <sub>OHS</sub>	High-level output current	V <sub>CC</sub> = 1.4V to 1.6V		-4	
		V <sub>CC</sub> = 1.65V to 1.95V		-6	
		V <sub>CC</sub> = 2.3V to 2.7V		-12	
		V <sub>CC</sub> = 3V to 3.6V		-24	
I <sub>OLS</sub>	Low-level output current	V <sub>CC</sub> = 1.4V to 1.6V		4	
		V <sub>CC</sub> = 1.65V to 1.95V		6	
		V <sub>CC</sub> = 2.3V to 2.7V		12	
		V <sub>CC</sub> = 3V to 3.6V		24	
ΔtΔv	Input transition rise or fall rate	V <sub>CC</sub> = 1.4V to 3.6V		5	ns/V
T <sub>A</sub>	Operating free-air temperature		-40	85	°C

**Notes:**

1. All unused inputs must be held at V<sub>CC</sub> or GND to ensure proper device operation.

**DC Electrical Characteristics** (Over the Operating Range,  $T_A = -40^\circ\text{C} + 85^\circ\text{C}$ )

Parameters		Test Conditions <sup>(1)</sup>	V <sub>CC</sub>	Min.	Typ.	Max.	Units
V <sub>OH</sub>	I <sub>OH</sub> = -100μA		1.4V to 3.6V	V <sub>CC</sub> - 0.2V			V
	I <sub>OHS</sub> = -4mA	V <sub>IH</sub> = 0.91V	1.4V	1.05			
	I <sub>OHS</sub> = -6mA	V <sub>IH</sub> = 1.07V	1.65V	1.2			
	I <sub>OHS</sub> = -12mA	V <sub>IH</sub> = 1.7V	2.3V	1.75			
	I <sub>OHS</sub> = -24mA	V <sub>IH</sub> = 2V	3V	2.0			
V <sub>OL</sub>	I <sub>OLS</sub> = 100μA		1.4V to 3.6V			0.2	V
	I <sub>OLS</sub> = 4mA	V <sub>IL</sub> = 0.49V	1.4V			0.4	
	I <sub>OLS</sub> = 6mA	V <sub>IL</sub> = 0.57V	1.65V			0.45	
	I <sub>OLS</sub> = 12mA	V <sub>IL</sub> = 0.7V	2.3V			0.55	
	I <sub>OLS</sub> = 24mA	V <sub>IL</sub> = 0.8V	3V			0.8	
I <sub>I</sub>	V <sub>I</sub> = V <sub>CC</sub> or GND		3.6V			±2.5	μA
I <sub>OFF</sub>	V <sub>I</sub> or V <sub>O</sub> = 3.6V		0			±10	
I <sub>OZ</sub>	V <sub>O</sub> = V <sub>CC</sub> or GND		3.6V			±10	
I <sub>CC</sub>	V <sub>I</sub> = V <sub>CC</sub> or GND    I <sub>O</sub> = 0		3.6V			40	
C <sub>I</sub>	Control Inputs	V <sub>I</sub> = V <sub>CC</sub> or GND	2.5V		3.5		pF
			3.3V		3.5		
	Data Inputs		2.5V		6		
			3.3V		6		
C <sub>O</sub>	Outputs	V <sub>O</sub> = V <sub>CC</sub> or GND	2.5V		6.5		
			3.3V		6.5		

**Notes:**

1. Typical values are measured at  $T_A = 25^\circ\text{C}$ .

### Switching Characteristics

(Over recommended operating free-air temperature range, unless otherwise noted, see Figures 1 thru 4)

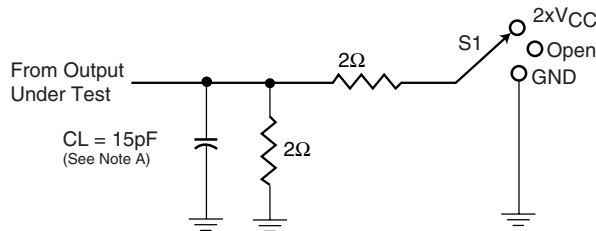
Parameters	From (Input)	To (Output)	V <sub>CC</sub> = 1.2V	V <sub>CC</sub> = 1.5V ± 0.1V		V <sub>CC</sub> = 1.8V ± 0.15V		V <sub>CC</sub> = 2.5V ± 0.2V		V <sub>CC</sub> = 3.3V ± 0.3V		Units
			Typ.	Min.	Max.	Min.	Max.	Min.	Max.	Min.	Max.	
t <sub>pd</sub>	A	B	3.9	0.8	4.0	0.7	3.0	0.6	1.9	0.5	1.7	ns
t <sub>en</sub>	$\overline{\text{OE}}$	B	8.4	1.5	9.2	1.4	7.0	1.0	4.3	0.7	3.7	
t <sub>dis</sub>	$\overline{\text{OE}}$	B	8.4	2.3	9.3	2.2	7.0	1.1	4.0	1.2	3.9	

### Operating Characteristics, T<sub>A</sub> = 25°C

Parameters		Test Conditions	V <sub>CC</sub> = 1.8V ± 0.15V	V <sub>CC</sub> = 2.5V ± 0.2V	V <sub>CC</sub> = 3.3V ± 0.3V	Units
			Typical	Typical	Typical	
C <sub>pd</sub> Power Dissipation Capacitance	Outputs Enabled	C <sub>L</sub> = 0pF, f = 10 MHz	35	38	44	pF
	Outputs Disabled		6	6	7	

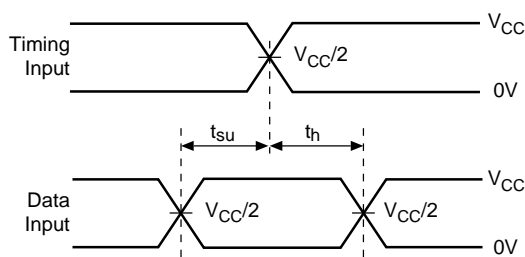
**PARAMETER MEASUREMENT INFORMATION**

$V_{CC} = 1.2V \text{ and } 1.5V \pm 0.1V$

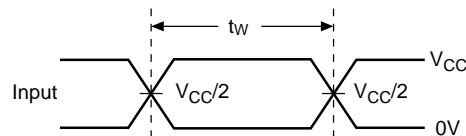


**Load Circuit**

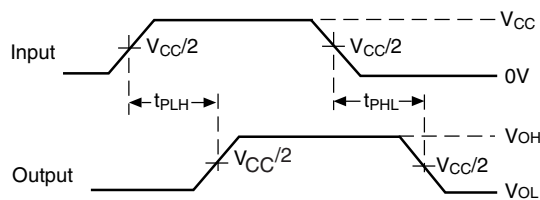
Test	S1
$t_{pd}$ $t_{PLZ}/t_{PZL}$ $t_{PHZ}/t_{PZH}$	Open $2 \times V_{CC}$ GND



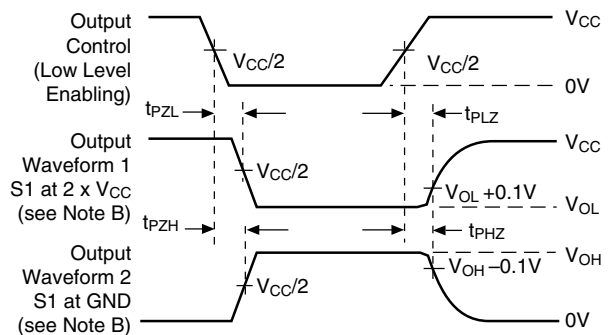
**Voltage Waveforms  
Setup and Hold Times**



**Voltage Waveforms  
Pulse Duration**



**Voltage Waveforms  
Propagation Delay Times**



**Voltage Waveforms  
Enable and Disable Times**

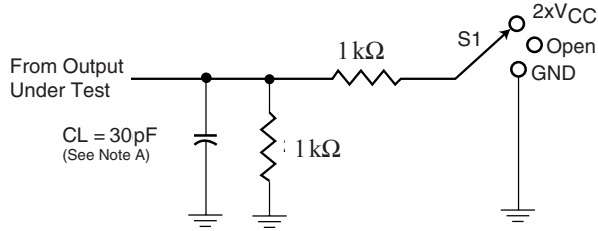
**Figure 1. Load Circuit and Voltage Waveforms**

**Notes:**

- A.  $C_L$  includes probe and jig capacitance.
- B. Waveform 1 is for an output with internal conditions such that the output is low except when disabled by the output control. Waveform 2 is for an output with internal conditions such that the output is high except when disabled by the output control.
- All input impulses are supplied by generators having the following characteristics:  $PRR \leq 10 \text{ MHz}$ ,  $Z_O = 50\Omega$ ,  $t_R \leq 2.0\text{ns}$ ,  $t_F \leq 2.0\text{ns}$ .
- The outputs are measured one at a time with one transition per measurement.
- $t_{PLZ}$  and  $t_{PHZ}$  are the same as  $t_{dis}$
- $t_{PZL}$  and  $t_{PZH}$  are the same as  $t_{en}$
- $t_{PLH}$  and  $t_{PHL}$  are the same as  $t_{pd}$

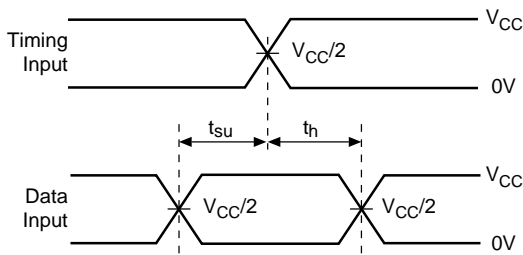
**PARAMETER MEASUREMENT INFORMATION**

$V_{CC} = 1.8V \pm 0.15V$

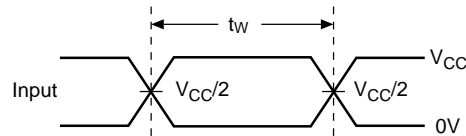


**Load Circuit**

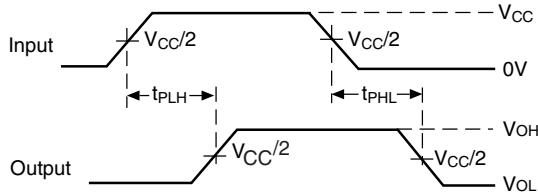
Test	S1
$t_{pd}$ $t_{PLZ}/t_{PZL}$ $t_{PHZ}/t_{PZH}$	Open $2 \times V_{CC}$ GND



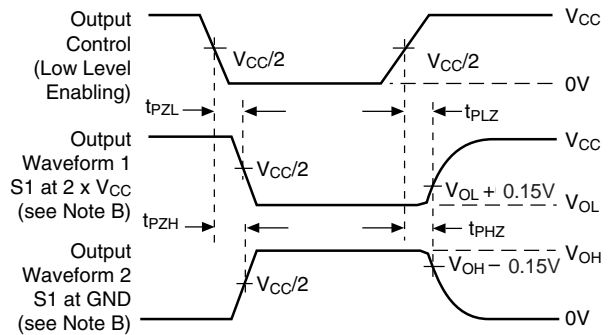
**Voltage Waveforms  
Setup and Hold Times**



**Voltage Waveforms  
Pulse Duration**



**Voltage Waveforms  
Propagation Delay Times**



**Voltage Waveforms  
Enable and Disable Times**

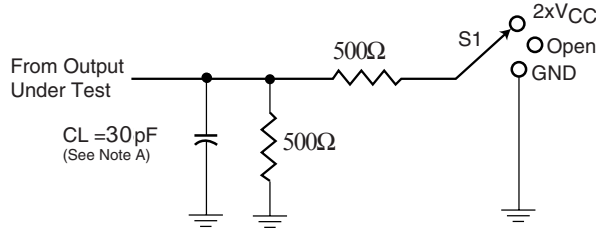
**Figure 2. Load Circuit and Voltage Waveforms**

**Notes:**

- A.  $C_L$  includes probe and jig capacitance.
- B. Waveform 1 is for an output with internal conditions such that the output is low except when disabled by the output control. Waveform 2 is for an output with internal conditions such that the output is high except when disabled by the output control.
- All input impulses are supplied by generators having the following characteristics:  $PRR \leq 10\text{ MHz}$ ,  $Z_O = 50\Omega$ ,  $t_R \leq 2.0\text{ns}$ ,  $t_F \leq 2.0\text{ns}$ .
- The outputs are measured one at a time with one transition per measurement.
- $t_{PLZ}$  and  $t_{PHZ}$  are the same as  $t_{dis}$
- $t_{PZL}$  and  $t_{PZH}$  are the same as  $t_{en}$
- $t_{PLH}$  and  $t_{PHL}$  are the same as  $t_{pd}$

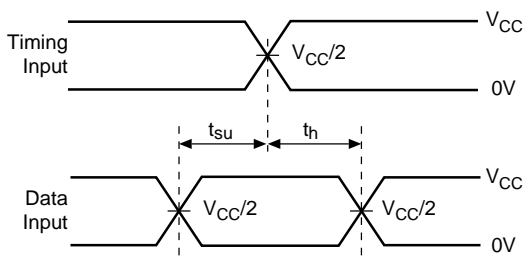
PARAMETER MEASUREMENT INFORMATION

$V_{CC} = 2.5V \pm 0.2V$

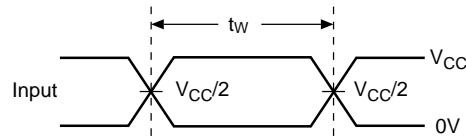


Load Circuit

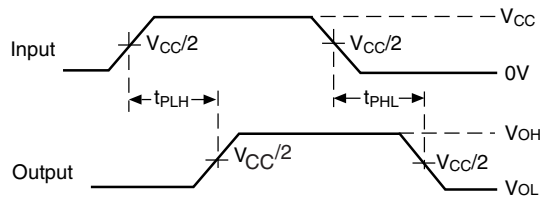
Test	S1
$t_{pd}$ $t_{PLZ}/t_{PZL}$ $t_{PHZ}/t_{PZH}$	Open $2 \times V_{CC}$ GND



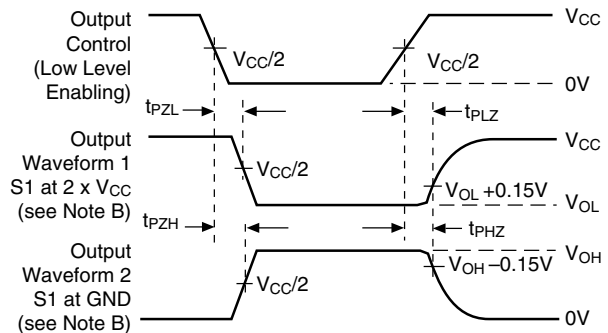
Voltage Waveforms  
Setup and Hold Times



Voltage Waveforms  
Pulse Duration



Voltage Waveforms  
Propagation Delay Times



Voltage Waveforms  
Enable and Disable Times

Figure 3. Load Circuit and Voltage Waveforms

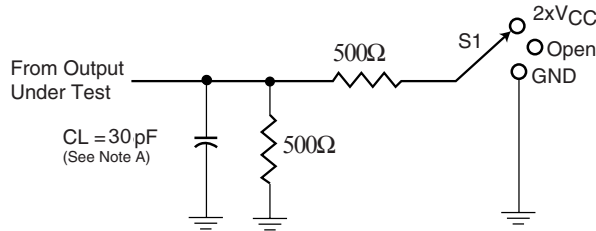
Notes:

- A.  $C_L$  includes probe and jig capacitance.
- B. Waveform 1 is for an output with internal conditions such that the output is low except when disabled by the output control. Waveform 2 is for an output with internal conditions such that the output is high except when disabled by the output control.
- All input impulses are supplied by generators having the following characteristics:  $PRR \leq 10 \text{ MHz}$ ,  $Z_O = 50\Omega$ ,  $t_r \leq 2.0\text{ns}$ ,  $t_f \leq 2.0\text{ns}$ .
- The outputs are measured one at a time with one transition per measurement.
- $t_{PLZ}$  and  $t_{PHZ}$  are the same as  $t_{dis}$
- $t_{PZL}$  and  $t_{PZH}$  are the same as  $t_{en}$
- $t_{PLH}$  and  $t_{PHL}$  are the same as  $t_{pd}$



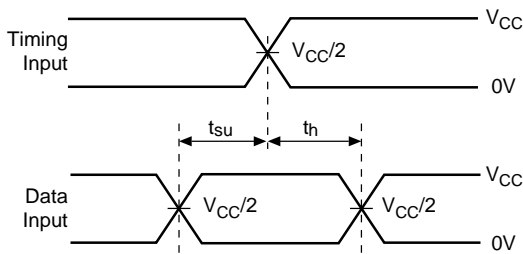
PARAMETER MEASUREMENT INFORMATION

$V_{CC} = 3.3V \pm 0.3V$

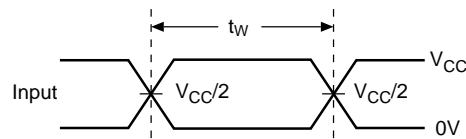


Load Circuit

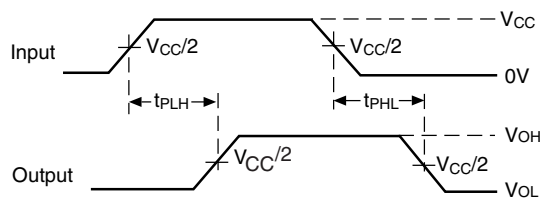
Test	S1
$t_{pd}$ $t_{PLZ}/t_{PZL}$ $t_{PHZ}/t_{PZH}$	Open $2 \times V_{CC}$ GND



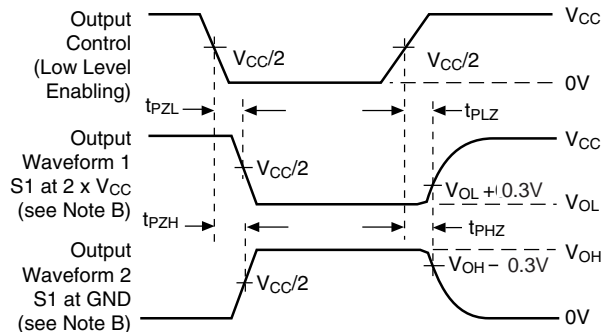
Voltage Waveforms  
Setup and Hold Times



Voltage Waveforms  
Pulse Duration



Voltage Waveforms  
Propagation Delay Times



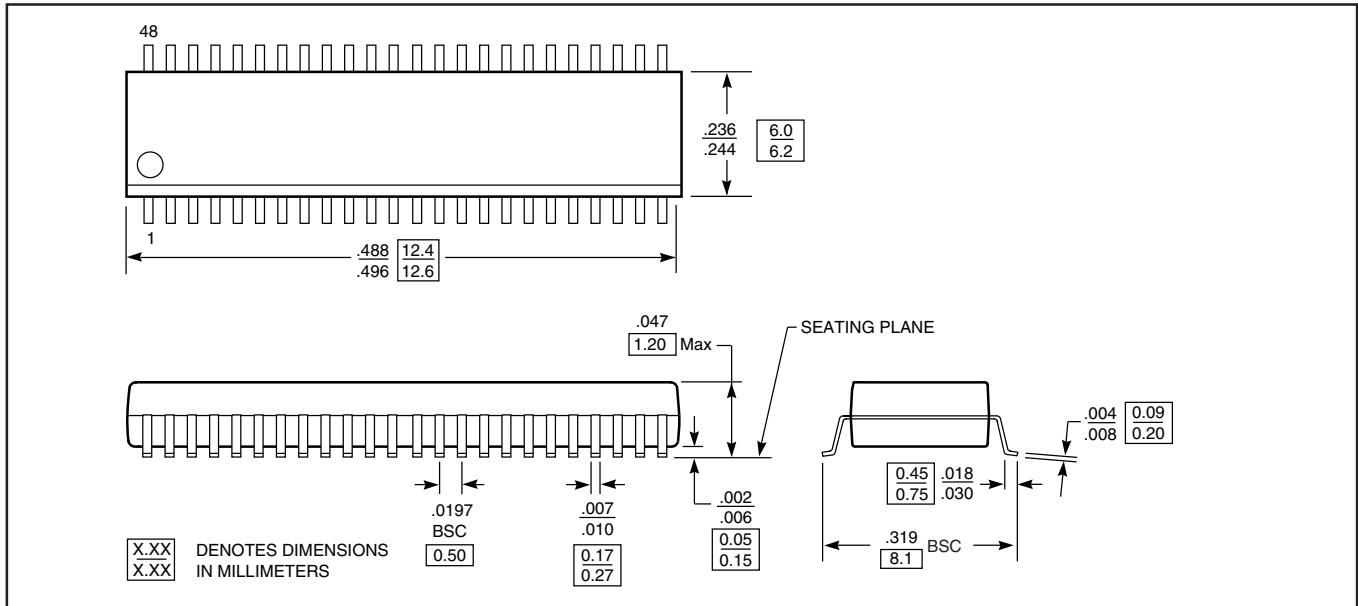
Voltage Waveforms  
Enable and Disable Times

Figure 4. Load Circuit and Voltage Waveforms

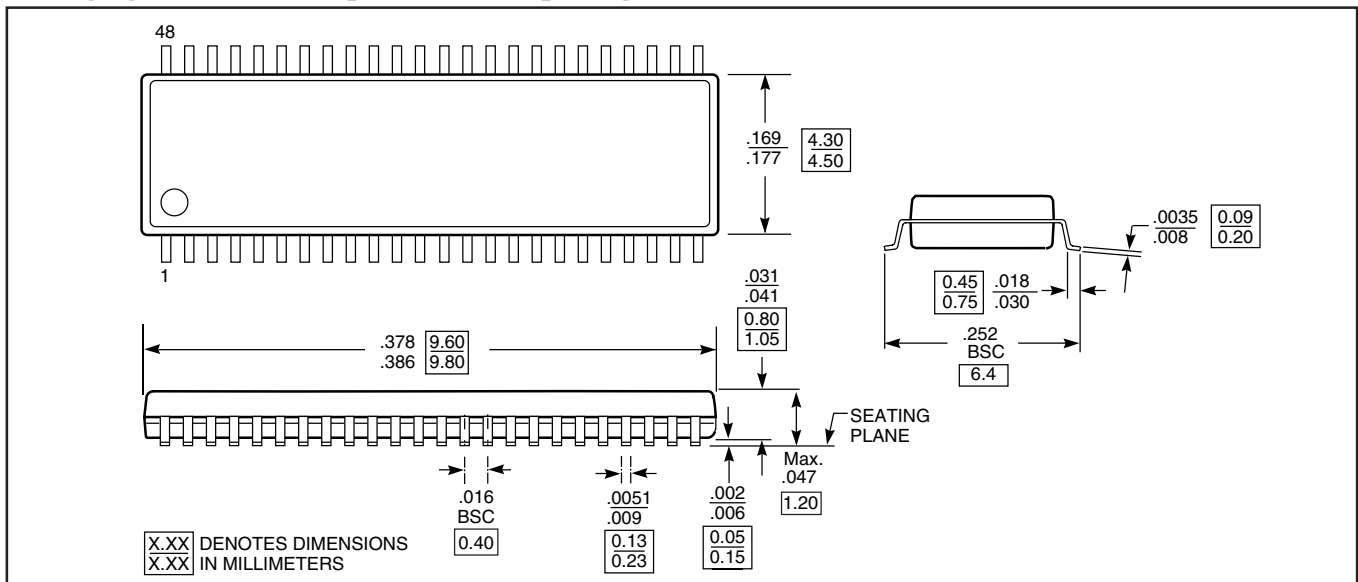
Notes:

- A.  $C_L$  includes probe and jig capacitance.
- B. Waveform 1 is for an output with internal conditions such that the output is low except when disabled by the output control. Waveform 2 is for an output with internal conditions such that the output is high except when disabled by the output control.
- All input impulses are supplied by generators having the following characteristics:  $PRR \leq 10 \text{ MHz}$ ,  $Z_O = 50\Omega$ ,  $t_R \leq 2.0\text{ns}$ ,  $t_F \leq 2.0\text{ns}$ .
- The outputs are measured one at a time with one transition per measurement.
- $t_{PLZ}$  and  $t_{PHZ}$  are the same as  $t_{dis}$
- $t_{PZL}$  and  $t_{PZH}$  are the same as  $t_{en}$
- $t_{PLH}$  and  $t_{PHL}$  are the same as  $t_{pd}$

**Packaging Mechanical: 48-pin TSSOP (A-package)**



**Packaging Mechanical: 48-pin TVSOP (K-package)**





### Ordering Information

Ordering Code	Package Type	Package Description
PI74AVC+16245A	A	48-pin, 240-mil wide plastic TSSOP
PI74AVC+16245AE	A	Pb-free & Green, 48-pin, 240-mil wide plastic TSSOP
PI74AVC+16245K	K	48-pin, 240-mil wide plastic TVSOP
PI74AVC+16245KE	K	Pb-free & Green, 48-pin, 240-mil wide plastic TVSOP

#### Notes:

- Thermal characteristics can be found on the company web site at [www.pericom.com/packaging/](http://www.pericom.com/packaging/)
- E = Pb-free & Green
- Adding an X suffix = Tape/Reel