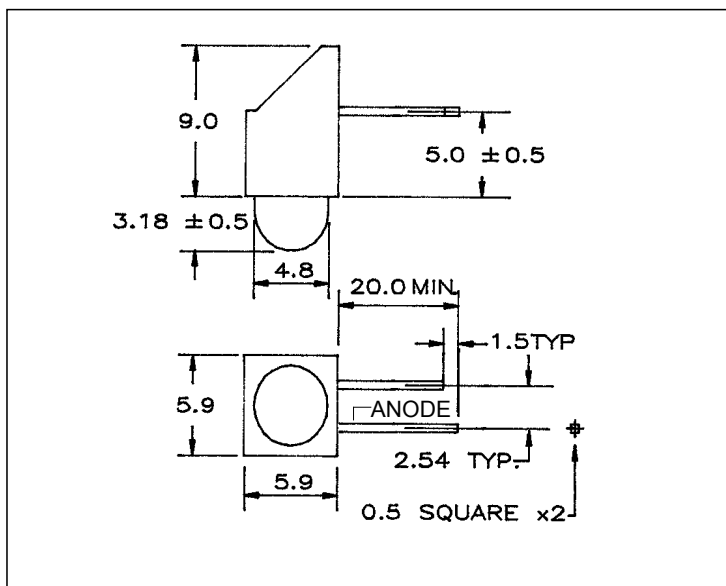


# Packaged LEDs/PCB Mount Indicators

## FEATURES

- T-1<sup>3/4</sup> right angle PCB mount LED
- Diffused lens
- Stackable end to end
- Other colors/materials available



## MAXIMUM RATINGS (Ta = 25°C)

PART NO.	FORWARD CURRENT (I <sub>F</sub> ) (mA)	REVERSE VOLTAGE (V <sub>R</sub> ) (V)	POWER DISSIPATION (P <sub>D</sub> ) (mW)	OPERATING TEMPERATURE (T <sub>opr</sub> ) (°C)	STORAGE TEMPERATURE (T <sub>stg</sub> ) (°C)
MT1164-RGCT	30	5.0	85	-25~+85	-25~+100
MT2164-GCT	30	5.0	85	-25~+85	-25~+100
MT3164-YCT	30	5.0	85	-25~+85	-25~+100
MT4164-OCT	30	5.0	85	-25~+85	-25~+100
MT4164-HRCT	30	5.0	85	-25~+85	-25~+100

## OPTO-ELECTRICAL CHARACTERISTICS (Ta = 25°C)

PART NO.	MATERIAL	LENS COLOR	VIEWING ANGLE typ.	LUMINOUS INTENSITY (mcd)			FORWARD VOLTAGE (V)			REVERSE CURRENT		PEAK WAVE LENGTH
				min.	typ.	@mA	typ.	max.	@mA	µA	V <sub>r</sub>	nm
MT1164-RGCT	GaP	Red Diff	38°	2.4	4.1	20	2.1	3.0	20	100	5	700
MT2164-GCT	GaP	Green Diff	38°	7.2	100	20	2.1	3.0	20	100	5	567
MT3164-YCT	GaAsP/GaP	Yellow Diff	38°	5.8	65	20	2.1	3.0	20	100	5	585
MT4164-OCT	GaAsP/GaP	Orange Diff	38°	8.2	75	20	2.1	3.0	20	100	5	635
MT4164-HRCT	GaAsP/GaP	Red Diff	38°	8.2	75	20	2.1	3.0	20	100	5	635



120 Broadway • Menands, New York 12204  
Toll Free: (800) 98-4LEDS • Fax: (518) 432-7454

For up-to-date product info visit our web site at [www.marktechopto.com](http://www.marktechopto.com)

All specifications subject to change.