

Async/Page/Burst CellularRAM™ 1.0 Memory

MT45W4MW16B*

*Note: Not recommended for new designs.

For the latest data sheet, refer to Micron's Web site: <http://www.micron.com/products/psram/>

Features

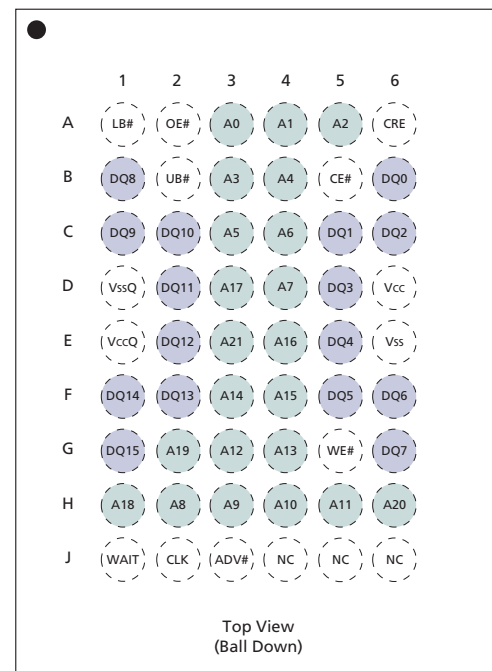
- Single device supports asynchronous, page, and burst operations
- Random access time: 70ns
- VCC, VCCQ voltages
1.70V–1.95V VCC
1.70V–3.30V VCCQ
- Page mode read access
Sixteen-word page size
Interpage read access: 70ns
Intrapage read access: 20ns
- Burst mode write access
Continuous burst
- Burst mode read access
4, 8, or 16 words, or continuous burst
MAX clock rate: 80 MHz ($t_{CLK} = 12.5ns$)
Burst initial latency: 50ns (4 clocks) @ 80 MHz
 t_{ACLK} : 9ns @ 80 MHz
- Low power consumption
Asynchronous READ: <25mA
Intrapage READ: <15mA
Initial access, burst READ:
(50ns [4 clocks] @ 80 MHz) < 35mA
Continuous burst READ: <15mA
Standby: 120µA – standard
100µA – low-power option
Deep power-down: <10µA (TYP @ 25°C)
- Low-power features
Temperature-compensated refresh (TCR)
Partial-array refresh (PAR)
Deep power-down (DPD) mode

Options

- | | |
|---------------------------------------|--------------------------|
| • Configuration:
4 Meg x 16 | MT45W4MW16B ¹ |
| • Package
54-ball VFBGA (standard) | FB |
| 54-ball VFBGA (lead-free) | BB ² |
| • Timing
70ns access | -70 |
| 85ns access | -85 |

Designator

Figure 1: Ball Assignment – 54-Ball VFBGA



Options (continued)

- | Options (continued) | Designator |
|--|-----------------|
| • Frequency
66 MHz | 6 |
| 80 MHz | 8 |
| • Standby power
Standard | None |
| Low-power | L |
| • Operating temperature range
Wireless (-30°C to +85°C) | WT ³ |
| Industrial (-40°C to +85°C) | IT ² |

Notes: 1. Not recommended for new designs.

2. Contact factory.

3. -30°C exceeds the CellularRAM Working Group 1.0 specification of -25°C.

Part Number Example:

MT45W4MW16BFB-708LWT

Table of Contents

General Description	5
Bus Operations	7
Part-Numbering Information	8
Valid Part Number Combinations	8
Device Marking	8
Functional Description	9
Power-Up Initialization	9
Bus Operating Modes	9
Asynchronous Mode	9
Page Mode READ Operation	10
Burst Mode Operation	11
Mixed-Mode Operation	13
WAIT Operation	13
LB#/UB# Operation	14
Low-Power Operation	16
Standby Mode Operation	16
Temperature-Compensated Refresh	16
Partial-Array Refresh	16
Deep Power-Down Operation	16
Configuration Registers	17
Access Using CRE	17
Software Access	19
Bus Configuration Register	21
Burst Length (BCR[2:0]) Default = Continuous Burst	22
Burst Wrap (BCR[3]) Default = Burst No Wrap	22
Output Impedance (BCR[5]) Default = Outputs Use Full Drive Strength	23
WAIT Configuration (BCR[8]) Default = WAIT Transitions One Clock Before Data Valid/Invalid	23
WAIT Polarity (BCR[10]) Default = WAIT Active HIGH	24
Latency Counter (BCR[13:11]) Default = Three-Clock Latency	24
Operating Mode (BCR[15]) Default = Asynchronous Operation	25
Refresh Configuration Register	26
Partial-Array Refresh (RCR[2:0]) Default = Full Array Refresh	27
Deep Power-Down (RCR[4]) Default = DPD Disabled	27
Temperature-Compensated Refresh (RCR[6:5]) Default = +85°C Operation	27
Page Mode Operation (RCR[7]) Default = Disabled	27
Electrical Characteristics	28
Maximum and Typical Standby Currents	30
Timing Diagrams	37
Revision History	60

List of Figures

Figure 1: Ball Assignment – 54-Ball VFBGA 1
 Figure 2: Functional Block Diagram – 4 Meg x 16 5
 Figure 3: Part Number Chart 8
 Figure 4: Power-Up Initialization Timing 9
 Figure 5: READ Operation (ADV = LOW) 10
 Figure 6: WRITE Operation (ADV = LOW) 10
 Figure 7: Page Mode READ Operation (ADV = LOW) 11
 Figure 8: Burst Mode READ (4-word Burst) 12
 Figure 9: Burst Mode WRITE (4-word Burst) 12
 Figure 10: Wired or WAIT Configuration 13
 Figure 11: Refresh Collision During READ Operation 14
 Figure 12: Refresh Collision During WRITE Operation 15
 Figure 13: Configuration Register WRITE in Asynchronous Mode Followed by READ ARRAY Operation 17
 Figure 14: Configuration Register WRITE in Synchronous Mode Followed by READ ARRAY Operation 18
 Figure 15: Load Configuration Register 19
 Figure 16: Read Configuration Register 20
 Figure 17: Bus Configuration Register Definition 21
 Figure 18: WAIT Configuration (BCR[8] = 0) 23
 Figure 19: WAIT Configuration (BCR[8] = 1) 23
 Figure 20: WAIT Configuration During Burst Operation 24
 Figure 21: Latency Counter 24
 Figure 22: Refresh Configuration Register Mapping 26
 Figure 23: Typical Refresh Current vs. Temperature (ITCR) 31
 Figure 24: AC Input/Output Reference Waveform 32
 Figure 25: Output Load Circuit 32
 Figure 26: Initialization Period 37
 Figure 27: Asynchronous READ 38
 Figure 28: Asynchronous READ Using ADV# 39
 Figure 29: Page Mode READ 40
 Figure 30: Single-Access Burst READ Operation 41
 Figure 31: 4-Word Burst READ Operation 42
 Figure 32: 4-Word Burst READ Operation (with LB#/UB#) 43
 Figure 33: READ Burst Suspend 44
 Figure 34: Continuous Burst READ Showing an Output Delay with BCR[8] = 0 for End-of-Row Condition 45
 Figure 35: CE#-Controlled Asynchronous WRITE 46
 Figure 36: LB#/UB#-Controlled Asynchronous WRITE 47
 Figure 37: WE#-Controlled Asynchronous WRITE 48
 Figure 38: Asynchronous WRITE Using ADV# 49
 Figure 39: Burst WRITE Operation 50
 Figure 40: Continuous Burst WRITE Showing an Output Delay with BCR[8] = 0 for End-of-Row Condition 51
 Figure 41: Burst WRITE Followed by Burst READ 52
 Figure 42: Asynchronous WRITE Followed by Burst READ 53
 Figure 43: Asynchronous WRITE Followed By Burst READ – ADV# LOW 54
 Figure 44: Burst READ Followed by Asynchronous WRITE (WE#-Controlled) 55
 Figure 45: Burst READ Followed by Asynchronous WRITE Using ADV# 56
 Figure 46: Asynchronous WRITE Followed by Asynchronous READ – ADV# LOW 57
 Figure 47: Asynchronous WRITE Followed by Asynchronous READ 58
 Figure 48: 54-Ball VFBGA 59

List of Tables

Table 1:	VFBGA Ball Descriptions	6
Table 2:	Bus Operations – Asynchronous Mode	7
Table 3:	Bus Operations – Burst Mode	7
Table 4:	Sequence and Burst Length	22
Table 5:	Latency Configuration	24
Table 6:	64Mb Address Patterns for PAR (RCR[4] = 1)	27
Table 7:	Absolute Maximum Ratings	28
Table 8:	Electrical Characteristics and Operating Conditions	29
Table 9:	Maximum Standby Currents for Applying PAR and TCR Settings	30
Table 10:	Maximum Standby Currents for Applying PAR and TCR Settings – Low-Power (L)	30
Table 11:	Deep Power-Down Specifications	31
Table 12:	Capacitance	32
Table 13:	Output Load Circuit	32
Table 14:	Asynchronous READ Cycle Timing Requirements	33
Table 15:	Burst READ Cycle Timing Requirements	34
Table 16:	Asynchronous WRITE Cycle Timing Requirements	35
Table 17:	Burst WRITE Cycle Timing Requirements	36
Table 18:	Initialization Timing Parameters	37
Table 19:	Asynchronous READ Timing Parameters	38
Table 20:	Asynchronous READ Timing Parameters Using ADV#	39
Table 21:	Asynchronous READ Timing Parameters – Page Mode Operation	40
Table 22:	Burst READ Timing Parameters – Single Access	41
Table 23:	Burst READ Timing Parameters – 4-Word Burst	42
Table 24:	Burst READ Timing Parameters – 4-Word Burst with LB#/UB#	43
Table 25:	Burst READ Timing Parameters – Burst Suspend	44
Table 26:	Burst READ Timing Parameters – BCR[8] = 0	45
Table 27:	Asynchronous WRITE Timing Parameters – CE#-Controlled	46
Table 28:	Asynchronous WRITE Timing Parameters – LB#/UB#-Controlled	47
Table 29:	Asynchronous WRITE Timing Parameters – WE#-Controlled	48
Table 30:	Asynchronous WRITE Timing Parameters Using ADV#	49
Table 31:	Burst WRITE Timing Parameters	50
Table 32:	Burst WRITE Timing Parameters – BCR[8] = 0	51
Table 33:	WRITE Timing Parameters – Burst WRITE Followed by Burst READ	52
Table 34:	READ Timing Parameters – Burst WRITE Followed by Burst READ	52
Table 35:	WRITE Timing Parameters – Async WRITE Followed by Burst READ	53
Table 36:	READ Timing Parameters – Async WRITE Followed by Burst READ	53
Table 37:	Asynchronous WRITE Timing Parameters – ADV# LOW	54
Table 38:	Burst READ Timing Parameters	54
Table 39:	Burst READ Timing Parameters	55
Table 40:	Asynchronous WRITE Timing Parameters – WE#-Controlled	55
Table 41:	Burst READ Timing Parameters	56
Table 42:	Asynchronous WRITE Timing Parameters Using ADV#	56
Table 43:	WRITE Timing Parameters – ADV# LOW	57
Table 44:	READ Timing Parameters – ADV# LOW	57
Table 45:	WRITE Timing Parameters – Async WRITE Followed by Async READ	58
Table 46:	READ Timing Parameters – Async WRITE Followed by Async READ	58

General Description

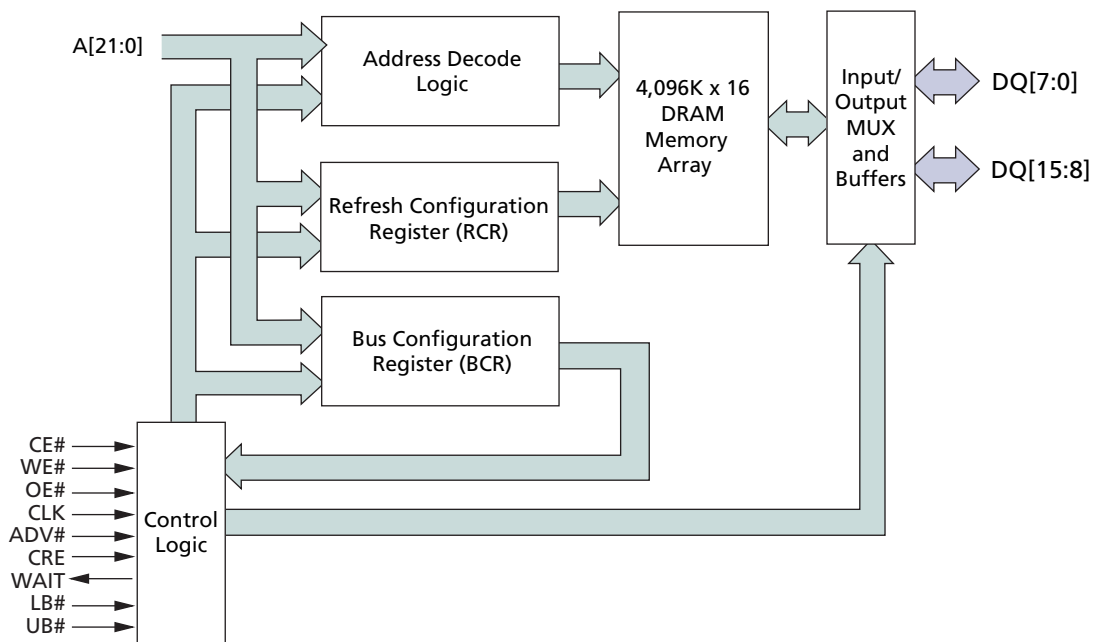
Micron® CellularRAM™ products are high-speed, CMOS PSRAM memories developed for low-power, portable applications. The MT45W4MW16BFB is a 64Mb DRAM core device organized as 4 Meg x 16 bits. This device includes an industry-standard burst mode Flash interface that dramatically increases read/write bandwidth compared with other low-power SRAM or Pseudo SRAM offerings.

To operate seamlessly on a burst Flash bus, CellularRAM products incorporate a transparent self refresh mechanism. The hidden refresh requires no additional support from the system memory controller and has no significant impact on device read/write performance.

Two user-accessible control registers define device operation. The bus configuration register (BCR) defines how the CellularRAM device interacts with the system memory bus and is nearly identical to its counterpart on burst mode Flash devices. The refresh configuration register (RCR) is used to control how refresh is performed on the DRAM array. These registers are automatically loaded with default settings during power-up and can be updated anytime during normal operation.

Special attention has been focused on standby current consumption during self refresh. CellularRAM products include three system-accessible mechanisms used to minimize standby current. Partial-array refresh (PAR) limits refresh to only that part of the DRAM array that contains essential data. Temperature-compensated refresh (TCR) is used to adjust the refresh rate according to the case temperature. The refresh rate can be decreased at lower temperatures to minimize current consumption during standby. Deep power-down (DPD) halts the refresh operation altogether and is used when no vital information is stored in the device. These three refresh mechanisms are accessed through the RCR.

Figure 2: Functional Block Diagram – 4 Meg x 16



Note: Functional block diagrams illustrate simplified device operation. See truth table, ball descriptions, and timing diagrams for detailed information.

Table 1: VFBGA Ball Descriptions

VFBGA Assignment	Symbol	Type	Description
E3, H6, G2, H1, D3, E4, F4, F3, G4, G3, H5, H4, H3, H2, D4, C4, C3, B4, B3, A5, A4, A3	A[21:0]	Input	Address Inputs: Inputs for addresses during READ and WRITE operations. Addresses are internally latched during READ and WRITE cycles. The address lines are also used to define the value to be loaded into the BCR or the RCR.
J2	CLK	Input	Clock: Synchronizes the memory to the system operating frequency during synchronous operations. When configured for synchronous operation, the address is latched on the first rising CLK edge when ADV# is active. CLK is static (HIGH or LOW) during asynchronous access READ and WRITE operations and during PAGE READ ACCESS operations.
J3	ADV#	Input	Address Valid: Indicates that a valid address is present on the address inputs. Addresses can be latched on the rising edge of ADV# during asynchronous READ and WRITE operations. ADV# may be held LOW during asynchronous READ and WRITE operations.
A6	CRE	Input	Control Register Enable: When CRE is HIGH, WRITE operations load the RCR or BCR.
B5	CE#	Input	Chip Enable: Activates the device when LOW. When CE# is HIGH, the device is disabled and goes into standby or deep power-down mode.
A2	OE#	Input	Output Enable: Enables the output buffers when LOW. When OE# is HIGH, the output buffers are disabled.
G5	WE#	Input	Write Enable: Determines if a given cycle is a WRITE cycle. If WE# is LOW, the cycle is a WRITE to either a configuration register or to the memory array.
A1	LB#	Input	Lower Byte Enable. DQ[7:0]
B2	UB#	Input	Upper Byte Enable. DQ[15:8]
G1, F1, F2, E2, D2, C2, C1, B1, G6, F6, F5, E5, D5, C6, C5, B6	DQ[15:0]	Input/Output	Data Inputs/Outputs.
J1	WAIT	Output	Wait: Provides data-valid feedback during burst READ and WRITE operations. The signal is gated by CE#. WAIT is used to arbitrate collisions between refresh and READ/WRITE operations. WAIT is asserted when a burst crosses a row boundary. WAIT is also used to mask the delay associated with opening a new internal page. WAIT is asserted and should be ignored during asynchronous and page mode operations. WAIT is High-Z when CE# is HIGH.
J4, J5, J6	NC	–	Not internally connected.
D6	Vcc	Supply	Device Power Supply: (1.70V–1.95V) Power supply for device core operation.
E1	VccQ	Supply	I/O Power Supply: (1.70V–3.30V) Power supply for input/output buffers.
E6	Vss	Supply	Vss must be connected to ground.
D1	VssQ	Supply	VssQ must be connected to ground.

Note: The CLK and ADV# inputs can be tied to Vss if the device is always operating in asynchronous or page mode. WAIT will be asserted but should be ignored during asynchronous and page mode operations.

Bus Operations

Table 2: Bus Operations – Asynchronous Mode

Mode	Power	CLK ¹	ADV#	CE#	OE#	WE#	CRE	LB#/ UB#	WAIT ²	DQ[15:0] ³	Notes
Read	Active	X	L	L	L	H	L	L	Low-Z	Data-Out	4
Write	Active	X	L	L	X	L	L	L	Low-Z	Data-In	4
Standby	Standby	X	X	H	X	X	L	X	High-Z	High-Z	5, 6
No Operation	Idle	X	X	L	X	X	L	X	Low-Z	X	4, 6
Configuration Register	Active	X	L	L	H	L	H	X	Low-Z	High-Z	
DPD	Deep Power-Down	X	X	H	X	X	X	X	High-Z	High-Z	7

Table 3: Bus Operations – Burst Mode

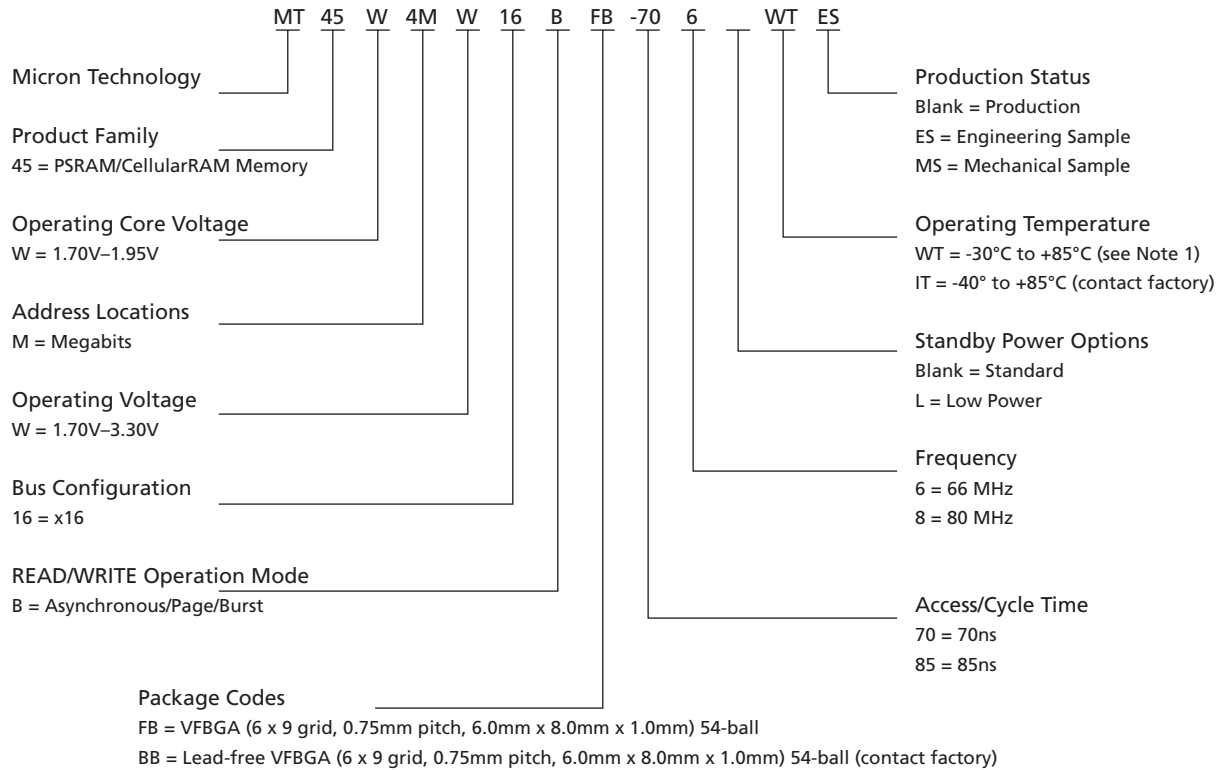
Mode	Power	CLK ¹	ADV#	CE#	OE#	WE#	CRE	LB#/ UB#	WAIT ²	DQ[15:0] ³	Notes
Async Read	Active	X	L	L	L	H	L	L	Low-Z	Data-Out	4
Async Write	Active	X	L	L	X	L	L	L	Low-Z	Data-In	4
Standby	Standby	X	X	H	X	X	L	X	High-Z	High-Z	5, 6
No Operation	Idle	X	X	L	X	X	L	X	Low-Z	X	4, 6
Initial Burst Read	Active		L	L	X	H	L	L	Low-Z	Data-Out	4, 8
Initial Burst Write	Active		L	L	H	L	L	X	Low-Z	Data-In	4, 8
Burst Continue	Active		H	L	X	X	X	L	Low-Z	Data-In or Data-Out	4, 8
Burst Suspend	Active	X	X	L	H	X	L	X	Low-Z	High-Z	4, 8
Configuration Register	Active		L	L	H	L	H	X	Low-Z	High-Z	8
DPD	Deep Power-Down	X	X	H	X	X	X	X	High-Z	High-Z	7

- Notes:
1. CLK may be HIGH or LOW, but must be static, during async read and async write modes and to achieve standby and DPD modes. CLK must be static (HIGH or LOW) during burst suspend.
 2. The WAIT polarity is configured through the bus configuration register (BCR[10]).
 3. When LB# and UB# are in select mode (LOW), DQ[15:0] are affected. When only LB# is in select mode, DQ[7:0] are affected. When only UB# is in the select mode, DQ[15:8] are affected.
 4. The device will consume active power in this mode whenever addresses are changed.
 5. When the device is in standby mode, address inputs and data inputs/outputs are internally isolated from any external influence.
 6. VIN = VCCQ or 0V; all device balls must be static (unswitched) in order to achieve standby current.
 7. DPD is maintained until RCR is reconfigured.
 8. Burst mode operation is initialized through the bus configuration register (BCR[15]).

Part-Numbering Information

Micron CellularRAM devices are available in several different configurations and densities (see Figure 3).

Figure 3: Part Number Chart



Valid Part Number Combinations

After building the part number from the part numbering chart, please go to the Micron Part Marking Decoder Web site at <http://www.micron.com/partsearch> to verify that the part number is offered and valid. If the device required is not on this list, please contact the factory.

Device Marking

Due to the size of the package, the Micron standard part number is not printed on the top of the device. Instead, an abbreviated device mark comprised of a five-digit alphanumeric code is used. The abbreviated device marks are cross-referenced to the Micron part numbers at <http://www.micron.com/partsearch>. To view the location of the abbreviated mark on the device, please refer to customer service note, CSN-11, "Product Mark/Label," at <http://www.micron.com/csn>.

Functional Description

In general, the MT45W4MW16BFB device is a high-density alternative to SRAM and Pseudo SRAM products, popular in low-power, portable applications.

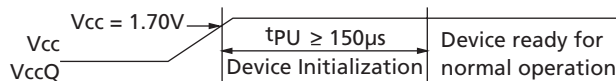
The MT45W4MW16BFB device contains a 67,108,864-bit DRAM core, organized as 4,194,304 addresses by 16 bits. The device implements the same high-speed bus interface found on burst mode Flash products.

The CellularRAM bus interface supports both asynchronous and burst mode transfers. Page mode accesses are also included as a bandwidth-enhancing extension to the asynchronous read protocol.

Power-Up Initialization

CellularRAM products include an on-chip voltage sensor used to launch the power-up initialization process. Initialization will configure the BCR and the RCR with their default settings (see Table 17 on page 21 and Table 22 on page 26). VCC and VCCQ must be applied simultaneously. When they reach a stable level at or above 1.70V, the device will require 150µs to complete its self-initialization process. During the initialization period, CE# should remain HIGH. When initialization is complete, the device is ready for normal operation.

Figure 4: Power-Up Initialization Timing



Bus Operating Modes

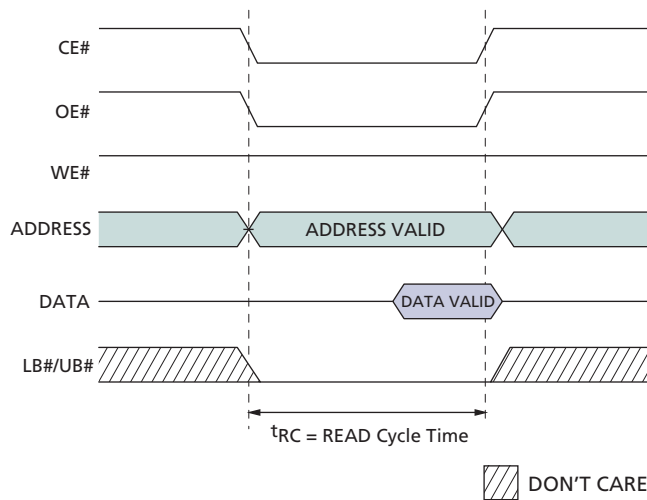
The MT45W4MW16BFB CellularRAM product incorporates a burst mode interface found on Flash products targeting low-power, wireless applications. This bus interface supports asynchronous, page mode, and burst mode read and write transfers. The specific interface supported is defined by the value loaded into the BCR. Page mode is controlled by the refresh configuration register (RCR[7]).

Asynchronous Mode

CellularRAM products power up in the asynchronous operating mode. This mode uses the industry-standard SRAM control bus (CE#, OE#, WE#, LB#/UB#). READ operations (Figure 5) are initiated by bringing CE#, OE#, and LB#/UB# LOW while keeping WE# HIGH. Valid data will be driven out of the I/Os after the specified access time has elapsed. WRITE operations (Figure 6) occur when CE#, WE#, and LB#/UB# are driven LOW. During asynchronous WRITE operations, the OE# level is a “Don’t Care,” and WE# will override OE#. The data to be written is latched on the rising edge of CE#, WE#, or LB#/UB# (whichever occurs first). Asynchronous operations (page mode disabled) can either use the ADV input to latch the address, or ADV can be driven LOW during the entire READ/WRITE operation.

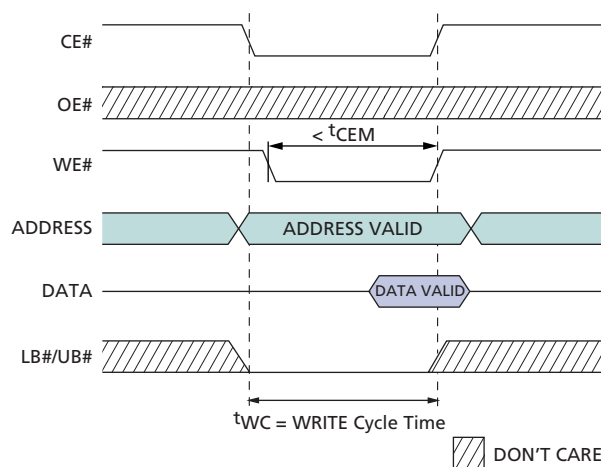
During asynchronous operation, the CLK input must be static (HIGH or LOW—no transitions). WAIT will be driven while the device is enabled and its state should be ignored. WE# LOW time must be limited to ^tCEM.

Figure 5: READ Operation (ADV = LOW)



Note: ADV must remain LOW for page mode operation.

Figure 6: WRITE Operation (ADV = LOW)



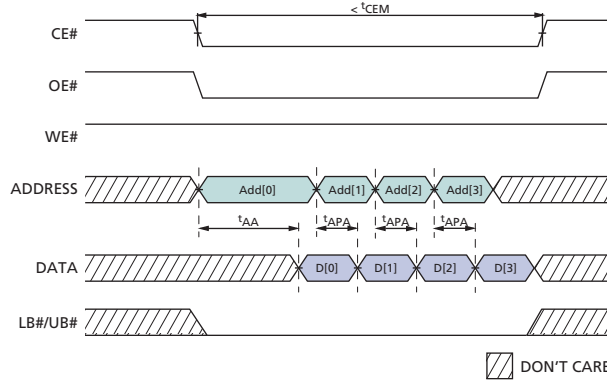
Page Mode READ Operation

Page mode is a performance-enhancing extension to the legacy asynchronous READ operation. In page-mode-capable products, an initial asynchronous read access is performed, then adjacent addresses can be read quickly by simply changing the low-order address. Addresses A[3:0] are used to determine the members of the 16-address CellularRAM page. Any change in addresses A[4] or higher will initiate a new t_{AA} access time. Figure 7 shows the timing for a page mode access. Page mode takes advantage of the fact that adjacent addresses can be read in a shorter period of time than random addresses. WRITE operations do not include comparable page mode functionality.

During asynchronous page mode operation, the CLK input must be static (HIGH or LOW – no transitions). CE# must be driven HIGH upon completion of a page mode access. WAIT will be driven while the device is enabled and its state should be ignored. Page mode is enabled by setting RCR[7] to HIGH. ADV must be driven LOW during all page mode read accesses.

The CE# LOW time is limited by refresh considerations. CE# must not stay LOW longer than t_{CEM} .

Figure 7: Page Mode READ Operation (ADV = LOW)



Burst Mode Operation

Burst mode operations enable high-speed synchronous READ and WRITE operations. Burst operations consist of a multi-clock sequence that must be performed in an ordered fashion. After CE# goes LOW, the address to access is latched on the next rising edge of CLK that ADV# is LOW. During this first clock rising edge, WE# indicates whether the operation is going to be a READ (WE# = HIGH, Figure 8 on page 12) or WRITE (WE# = LOW, Figure 9 on page 12).

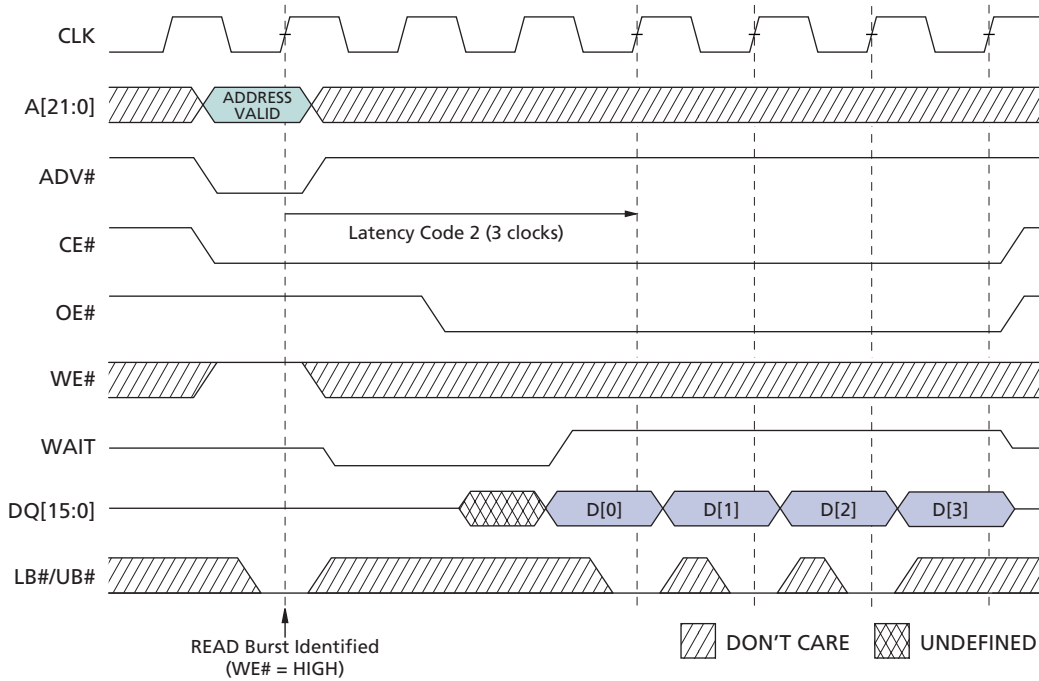
The size of a burst can be specified in the BCR as either fixed-length or continuous. Fixed-length bursts consist of four, eight, or sixteen words. Continuous bursts have the ability to start at a specified address and burst through the entire memory. The latency count stored in the BCR defines the number of clock cycles that elapse before the initial data value is transferred between the processor and CellularRAM device.

The WAIT output will be asserted as soon as CE# goes LOW and will be de-asserted to indicate when data is to be transferred into (or out of) the memory. WAIT will again be asserted if the burst crosses the boundary between 128-word rows. Once the CellularRAM device has restored the previous row's data and accessed the next row, WAIT will be de-asserted and the burst can continue (see Figure 34 on page 45).

The processor can access other devices without incurring the timing penalty of the initial latency for a new burst by suspending burst mode. Bursts are suspended by stopping CLK. CLK can be stopped HIGH or LOW. If another device will use the data bus while the burst is suspended, OE# should be taken HIGH to disable the CellularRAM outputs; otherwise, OE# can remain LOW. Note that the WAIT output will continue to be active, and as a result no other devices should directly share the WAIT connection to the controller. To continue the burst sequence, OE# is taken LOW, then CLK is restarted after valid data is available on the bus.

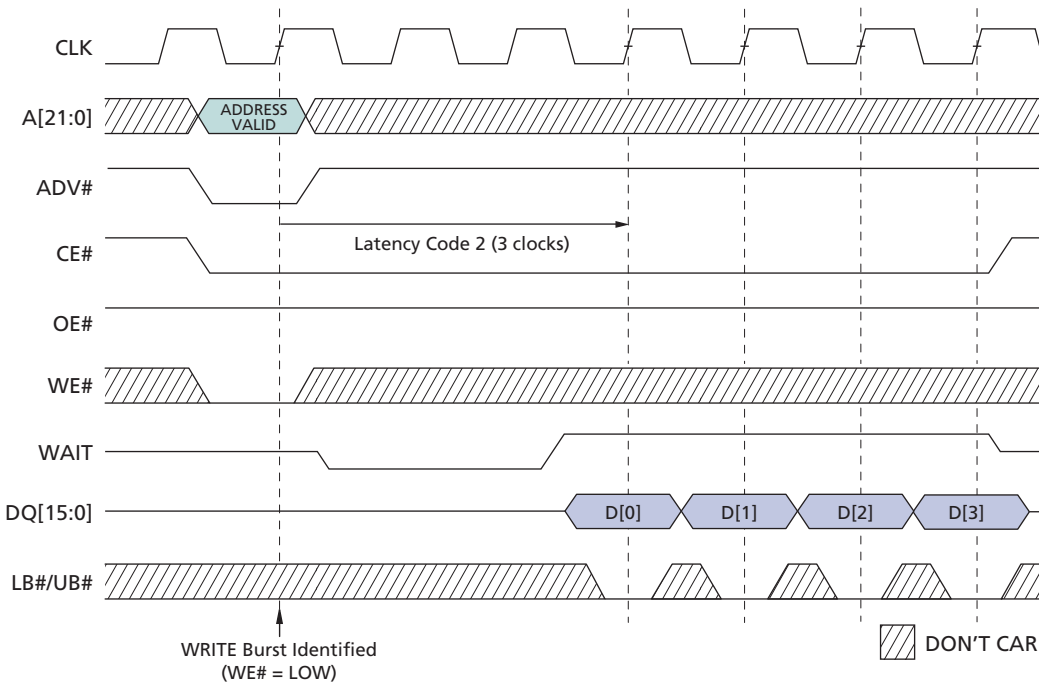
The CE# LOW time is limited by refresh considerations. CE# must not stay LOW longer than t_{CEM} unless row boundaries are crossed at least every t_{CEM} . If a burst suspension will cause CE# to remain LOW for longer than t_{CEM} , CE# should be taken HIGH and the burst restarted with a new CE# LOW/ADV# LOW cycle.

Figure 8: Burst Mode READ (4-word Burst)



Note: Non-default BCR settings for burst mode READ (4-word burst): Latency code two (three clocks); WAIT active LOW; WAIT asserted during delay.

Figure 9: Burst Mode WRITE (4-word Burst)



Note: Non-default BCR settings for burst mode WRITE (4-word burst): Latency code two (three clocks); WAIT active LOW; WAIT asserted during delay.

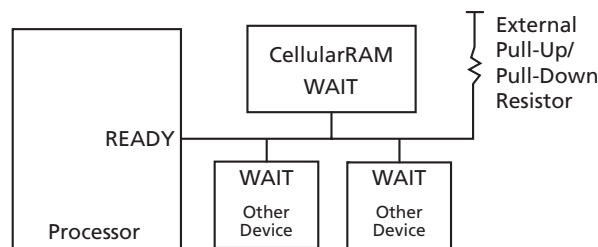
Mixed-Mode Operation

The device can support a combination of synchronous READ and asynchronous WRITE operations when the BCR is configured for synchronous operation. The asynchronous READ and WRITE operations require that the clock (CLK) remain static (HIGH or LOW) during the entire sequence. The ADV# signal can be used to latch the target address, or it can remain LOW during the entire WRITE operation. CE# must return HIGH when transitioning between mixed-mode operations. Note that the t_{CKA} period is the same as a READ or WRITE cycle. This time is required to ensure adequate refresh. Mixed-mode operation facilitates a seamless interface to legacy burst mode Flash memory controllers. See Figure 42 on page 53 for the “Asynchronous WRITE Followed by Burst READ” timing diagram.

WAIT Operation

The WAIT output on a CellularRAM device is typically connected to a shared, system-level WAIT signal (see Figure 10). The shared WAIT signal is used by the processor to coordinate transactions with multiple memories on the synchronous bus.

Figure 10: Wired or WAIT Configuration



Once a READ or WRITE operation has been initiated, WAIT goes active to indicate that the CellularRAM device requires additional time before data can be transferred. For READ operations, WAIT will remain active until valid data is output from the device. For WRITE operations, WAIT will indicate to the memory controller when data will be accepted into the CellularRAM device. When WAIT transitions to an inactive state, the data burst will progress on successive clock edges.

CE# must remain asserted during WAIT cycles (WAIT asserted and WAIT configuration BCR[8] = 1). Bringing CE# HIGH during WAIT cycles may cause data corruption. (Note that for BCR[8] = 0, the actual WAIT cycles end one cycle after WAIT de-asserts, and for row boundary crossings, start one cycle after the WAIT signal asserts.)

The WAIT output also performs an arbitration role when a READ or WRITE operation is launched while an on-chip refresh is in progress. If a collision occurs, WAIT is asserted for additional clock cycles until the refresh has completed (see Figures 11 and 12 on page 15). When the REFRESH operation has completed, the READ or WRITE operation will continue normally.

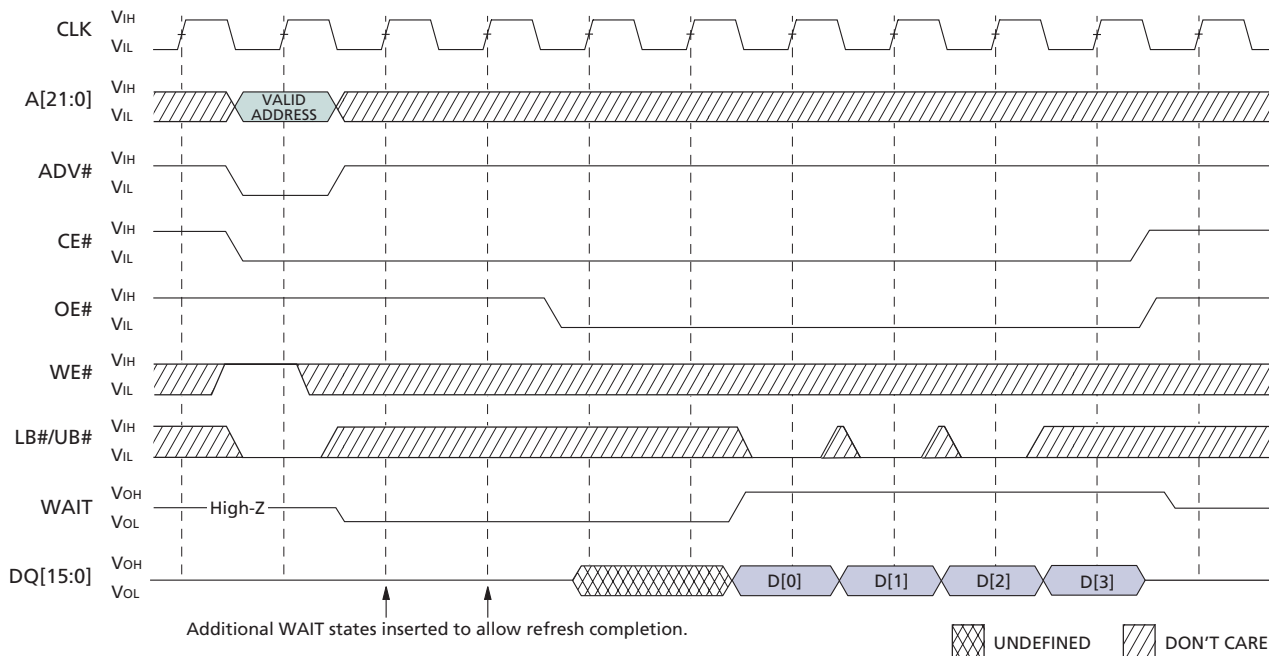
WAIT is also asserted when a continuous READ or WRITE burst crosses a row boundary. The WAIT assertion allows time for the new row to be accessed, and permits any pending REFRESH operations to be performed.

LB#/UB# Operation

The LB# enable and UB# enable signals support byte-wide data transfers. During READ operations, the enabled byte(s) are driven onto the DQs. The DQs associated with a disabled byte are put into a High-Z state during a READ operation. During WRITE operations, any disabled bytes will not be transferred to the RAM array and the internal value will remain unchanged. During an asynchronous WRITE cycle, the data to be written is latched on the rising edge of CE#, WE#, LB#, or UB#, whichever occurs first.

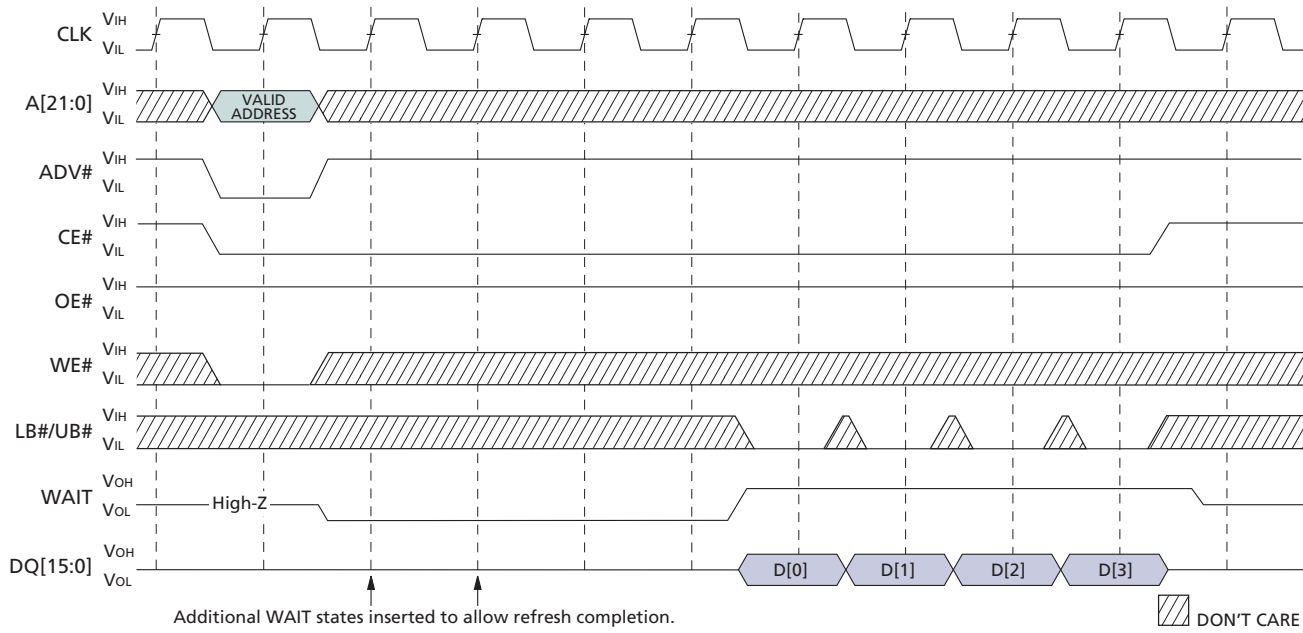
When both the LB# and UB# are disabled (HIGH) during an operation, the device will disable the data bus from receiving or transmitting data. Although the device will seem to be deselected, it remains in an active mode as long as CE# remains LOW.

Figure 11: Refresh Collision During READ Operation



Note: Non-default BCR settings for refresh collision during READ operation: Latency code two (three clocks); WAIT active LOW; WAIT asserted during delay.

Figure 12: Refresh Collision During WRITE Operation



Note: Non-default BCR settings for refresh collision during WRITE operation: Latency code two (three clocks); WAIT active LOW; WAIT asserted during delay.

Low-Power Operation

Standby Mode Operation

During standby, the device current consumption is reduced to the level necessary to perform the DRAM refresh operation. Standby operation occurs when CE# is HIGH.

The device will enter a reduced power state upon completion of a READ or WRITE operation, or when the address and control inputs remain static for an extended period of time. This mode will continue until a change occurs to the address or control inputs.

Temperature-Compensated Refresh

Temperature-compensated refresh (TCR) is used to adjust the refresh rate depending on the device operating temperature. DRAM technology requires increasingly frequent REFRESH operations to maintain data integrity as temperatures increase. More frequent refresh is required due to increased leakage of the DRAM capacitive storage elements as temperatures rise. A decreased refresh rate at lower temperatures will facilitate a savings in standby current.

TCR allows for adequate refresh at four different temperature thresholds (+15°C, +45°C, +70°C, and +85°C). The setting selected must be for a temperature higher than the case temperature of the CellularRAM device. For example, if the case temperature is +50°C, the system can minimize self refresh current consumption by selecting the +70°C setting. The +15°C and +45°C settings would result in inadequate refreshing and cause data corruption.

Partial-Array Refresh

Partial-array refresh (PAR) restricts refresh operation to a portion of the total memory array. This feature enables the device to reduce standby current by refreshing only that part of the memory array required by the host system. The refresh options are full array, one-half array, one-quarter array, one-eighth array, or none of the array. The mapping of these partitions can start at either the beginning or the end of the address map (see Table 6 on page 27). READ and WRITE operations to address ranges receiving refresh will not be affected. Data stored in addresses not receiving refresh will become corrupted. When re-enabling additional portions of the array, the new portions are available immediately upon writing to the RCR.

Deep Power-Down Operation

Deep power-down (DPD) operation disables all refresh-related activity. This mode is used if the system does not require the storage provided by the CellularRAM device. Any stored data will become corrupted when DPD is enabled. When refresh activity has been re-enabled by rewriting the RCR, the CellularRAM device will require 150µs to perform an initialization procedure before normal operations can resume. During this 150µs period, the current consumption will be higher than the specified standby levels, but considerably lower than the active current specification.

DPD cannot be enabled or disabled by writing to the RCR using the software access sequence; the RCR should be accessed using CRE instead.

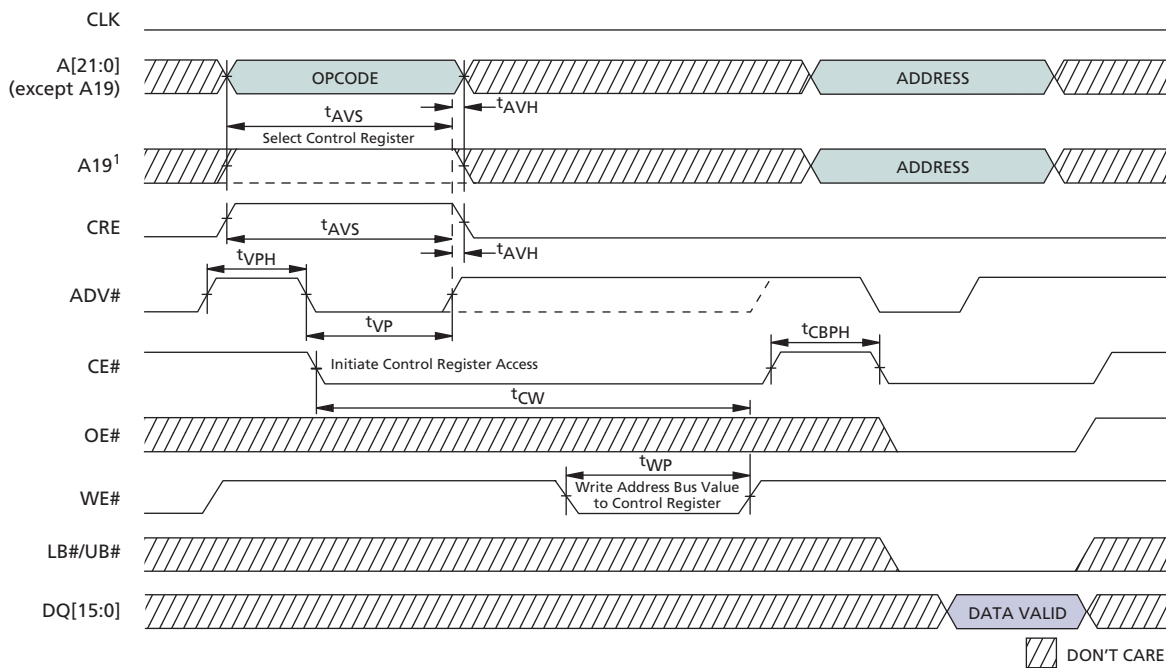
Configuration Registers

Two user-accessible configuration registers define the device operation. The bus configuration register (BCR) defines how the CellularRAM interacts with the system memory bus and is nearly identical to its counterpart on burst mode Flash devices. The refresh configuration register (RCR) is used to control how refresh is performed on the DRAM array. These registers are automatically loaded with default settings during power-up, and can be updated any time the devices are operating in a standby state.

Access Using CRE

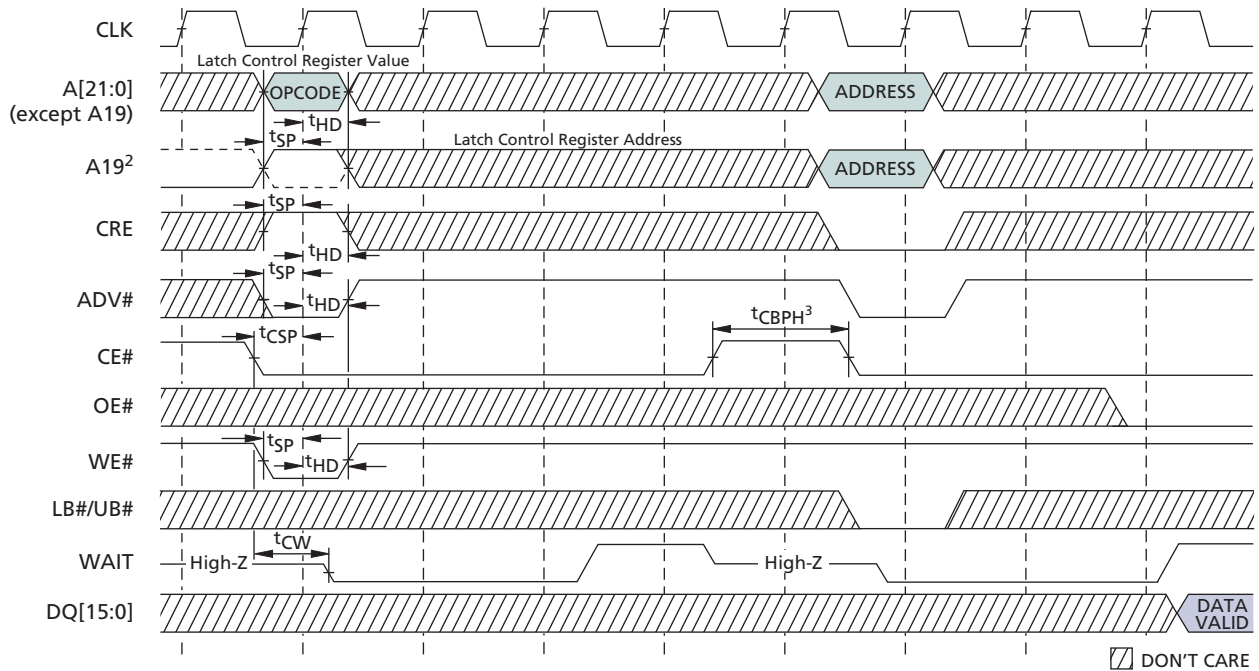
The configuration registers are loaded using either a synchronous or an asynchronous WRITE operation when the control register enable (CRE) input is HIGH (see Figure 13 below and Figure 14 on page 18). When CRE is LOW, a READ or WRITE operation will access the memory array. The register values are placed on addresses A[21:0]. In an asynchronous WRITE, the values are latched into the configuration register on the rising edge of ADV#, CE#, or WE#, whichever occurs first; LB# and UB# are "Don't Care." Access using CRE is WRITE only. The BCR is accessed when A[19] is HIGH; the RCR is accessed when A[19] is LOW.

Figure 13: Configuration Register WRITE in Asynchronous Mode Followed by READ ARRAY Operation



Note: A[19] = LOW to load RCR; A[19] = HIGH to load BCR.

Figure 14: Configuration Register WRITE in Synchronous Mode Followed by READ ARRAY Operation



- Notes:
1. Non-default BCR settings for configuration register WRITE in synchronous mode followed by READ ARRAY operation: Latency code two (three clocks); WAIT active LOW; WAIT asserted during delay.
 2. A[19] = LOW to load RCR; A[19] = HIGH to load BCR.
 3. CE# must remain LOW to complete a burst-of-one WRITE. WAIT must be monitored—additional WAIT cycles caused by refresh collisions require a corresponding number of additional CE# LOW cycles.

Software Access

Software access of the configuration registers uses a sequence of asynchronous READ and asynchronous WRITE operations. The contents of the configuration registers can be read or modified using the software sequence.

The configuration registers are loaded using a four-step sequence consisting of two asynchronous READ operations followed by two asynchronous WRITE operations (see Figure 15). The read sequence is virtually identical except that an asynchronous READ is performed during the fourth operation (see Figure 16 on page 20). Note that a third READ cycle of the highest address cancels the access sequence until a different address is read.

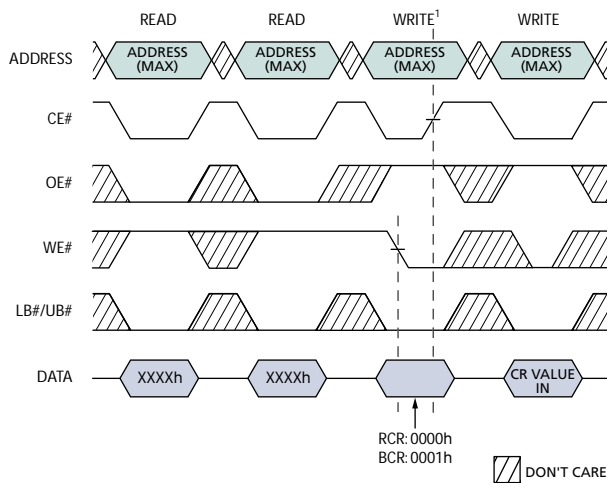
The address used during all READ and WRITE operations is the highest address of the CellularRAM device being accessed (3FFFFFFh for 64Mb); the content at this address is changed by using this sequence (note that this is a deviation from the CellularRAM specification).

The data value presented during the third operation (WRITE) in the sequence defines whether the BCR or the RCR is to be accessed. If the data is 0000h, the sequence will access the RCR; if the data is 0001h, the sequence will access the BCR. During the fourth operation, DQ[15:0] is used to transfer data into or out of bits 15–0 of the configuration registers.

The use of the software sequence does not affect the ability to perform the standard (CRE-controlled) method of loading the configuration registers. However, the software nature of this access mechanism eliminates the need for the control register enable (CRE) ball. If the software mechanism is used, the CRE ball can simply be tied to Vss. The port line often used for CRE control purposes is no longer required.

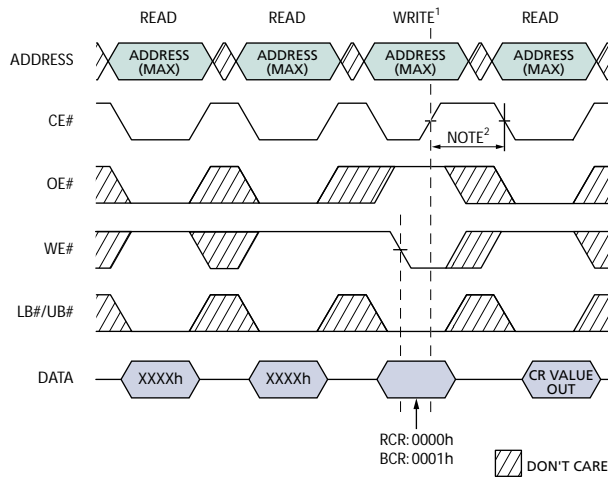
Software access of the RCR should not be used to enter or exit DPD.

Figure 15: Load Configuration Register



Note: The WRITE on the third cycle must be CE#-controlled.

Figure 16: Read Configuration Register



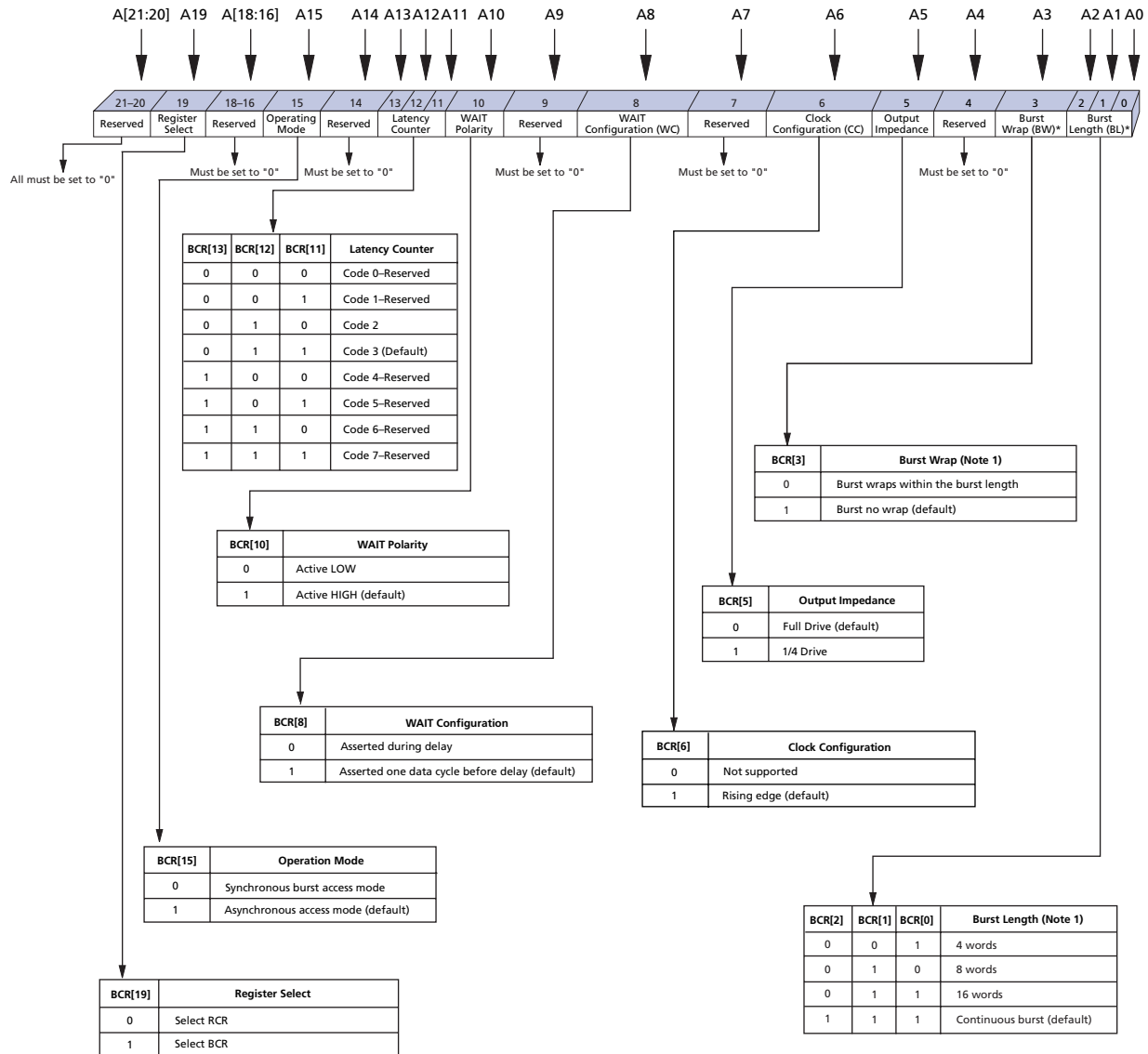
- Notes: 1. The WRITE on the third cycle must be CE#-controlled.
 2. CE# must be HIGH for 150ns before performing the cycle that reads a configuration register.

Bus Configuration Register

The BCR defines how the CellularRAM device interacts with the system memory bus. Page mode operation is enabled by a bit contained in the RCR. Figure 17 describes the control bits in the BCR. At power-up, the BCR is set to 9D4Fh.

The BCR is accessed using CRE and A[19] HIGH, or through the configuration register software sequence with DQ = 0001h on the third cycle.

Figure 17: Bus Configuration Register Definition



Note: All burst WRITES are continuous.

Table 4: Sequence and Burst Length

Burst Wrap		Starting Address	4-Word Burst Length	8-Word Burst Length	16-Word Burst Length	Continuous Burst	
BCR[3]	Wrap	(Decimal)	Linear	Linear	Linear	Linear	
0	Yes	0	0-1-2-3	0-1-2-3-4-5-6-7	0-1-2-3-4-5-6-7-8-9-10-11-12-13-14-15	0-1-2-3-4-5-6-...	
		1	1-2-3-0	1-2-3-4-5-6-7-0	1-2-3-4-5-6-7-8-9-10-11-12-13-14-15-0	1-2-3-4-5-6-7-...	
		2	2-3-0-1	2-3-4-5-6-7-0-1	2-3-4-5-6-7-8-9-10-11-12-13-14-15-0-1	2-3-4-5-6-7-8-...	
		3	3-0-1-2	3-4-5-6-7-0-1-2	3-4-5-6-7-8-9-10-11-12-13-14-15-0-1-2	3-4-5-6-7-8-9-...	
		4		4-5-6-7-0-1-2-3	4-5-6-7-8-9-10-11-12-13-14-15-0-1-2-3	4-5-6-7-8-9-10-...	
		5		5-6-7-0-1-2-3-4	5-6-7-8-9-10-11-12-13-14-15-0-1-2-3-4	5-6-7-8-9-10-11-...	
		6		6-7-0-1-2-3-4-5	6-7-8-9-10-11-12-13-14-15-0-1-2-3-4-5	6-7-8-9-10-11-12-	
		7		7-0-1-2-3-4-5-6	7-8-9-10-11-12-13-14-15-0-1-2-3-4-5-6	7-8-9-10-11-12-13-...	
	
		14				14-15-0-1-2-3-4-5-6-7-8-9-10-11-12-13	14-15-16-17-18-19-20-...
15				15-0-1-2-3-4-5-6-7-8-9-10-11-12-13-14	15-16-17-18-19-20-21-...		
1	No	0	0-1-2-3	0-1-2-3-4-5-6-7	0-1-2-3-4-5-6-7-8-9-10-11-12-13-14-15	0-1-2-3-4-5-6-...	
		1	1-2-3-4	1-2-3-4-5-6-7-8	1-2-3-4-5-6-7-8-9-10-11-12-13-14-15-16	1-2-3-4-5-6-7-...	
		2	2-3-4-5	2-3-4-5-6-7-8-9	2-3-4-5-6-7-8-9-10-11-12-13-14-15-16-17	2-3-4-5-6-7-8-...	
		3	3-4-5-6	3-4-5-6-7-8-9-10	3-4-5-6-7-8-9-10-11-12-13-14-15-16-17-18	3-4-5-6-7-8-9-...	
		4		4-5-6-7-8-9-10-11	4-5-6-7-8-9-10-11-12-13-14-15-16-17-18-19	4-5-6-7-8-9-10-...	
		5		5-6-7-8-9-10-11-12	5-6-7-8-9-10-11-12-13-14-15-16-17-18-19-20	5-6-7-8-9-10-11-...	
		6		6-7-8-9-10-11-12-13	6-7-8-9-10-11-12-13-14-15-16-17-18-19-20-21	6-7-8-9-10-11-12-...	
		7		7-8-9-10-11-12-13-14	7-8-9-10-11-12-13-14-15-16-17-18-19-20-21-22	7-8-9-10-11-12-13-...	
	
		14				14-15-16-17-18-19-20-21-22-23-24-25-26-27-28-29	14-15-16-17-18-19-20-...
15				15-16-17-18-19-20-21-22-23-24-25-26-27-28-29-30	15-16-17-18-19-20-21-...		

Burst Length (BCR[2:0]) Default = Continuous Burst

Burst lengths define the number of words the device outputs during a burst READ operation. The device supports a burst length of 4, 8, or 16 words. The device can also be set in continuous burst mode where data is output sequentially without regard to address boundaries; the internal address wraps to 000000h if the device is read past the last address. WRITE bursts are always performed using continuous burst mode.

Burst Wrap (BCR[3]) Default = Burst No Wrap

The burst wrap option determines if a 4-, 8-, or 16-word burst READ wraps within the burst length, or steps through sequential addresses. If the wrap option is not enabled, the device outputs data from sequential addresses without regard to burst boundaries; the internal address wraps to 000000h if the device is read past the last address.

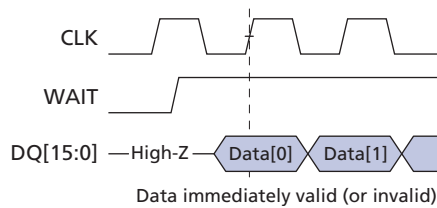
Output Impedance (BCR[5]) Default = Outputs Use Full Drive Strength

The output driver strength can be altered to adjust for different data bus loading scenarios. The reduced-strength option will be more than adequate in stacked chip (Flash + CellularRAM) environments when there is a dedicated memory bus. The reduced-drive-strength option is included to minimize noise generated on the data bus during READ operations. Normal output impedance should be selected when using a discrete CellularRAM device in a more heavily loaded data bus environment. Partial drive is approximately one-quarter full drive strength. Outputs are configured at full drive strength during testing.

WAIT Configuration (BCR[8]) Default = WAIT Transitions One Clock Before Data Valid/Invalid

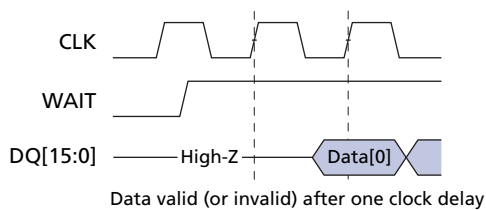
The WAIT configuration bit is used to determine when WAIT transitions between the asserted and the de-asserted state with respect to valid data presented on the data bus. The memory controller will use the WAIT signal to coordinate data transfer during synchronous READ and WRITE operations. When BCR[8] = 0, data will be valid or invalid on the clock edge immediately after WAIT transitions to the de-asserted or asserted state, respectively (see Figure 18 and Figure 20). When A8 = 1, the WAIT signal transitions one clock period prior to the data bus going valid or invalid (see Figure 19 and Figure 20).

Figure 18: WAIT Configuration (BCR[8] = 0)



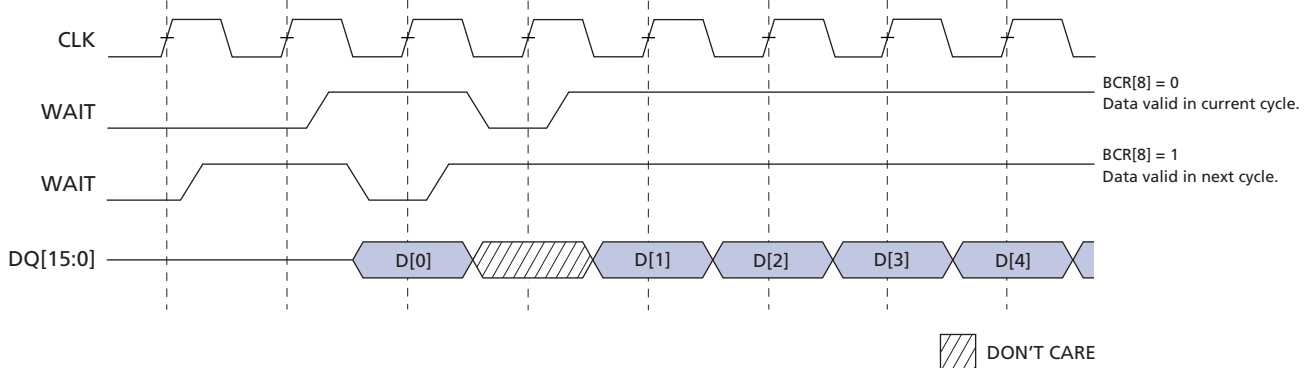
Note: Note: Data valid/invalid immediately after WAIT transitions (BCR[8] = 0). See Figure 20 on page 24.

Figure 19: WAIT Configuration (BCR[8] = 1)



Note: Note: Valid/invalid data delayed for one clock after WAIT transitions (BCR[8] = 1). See Figure 20 on page 24.

Figure 20: WAIT Configuration During Burst Operation



Note: Non-default BCR setting for WAIT configuration during burst operation: WAIT active LOW.

WAIT Polarity (BCR[10]) Default = WAIT Active HIGH

The WAIT polarity bit indicates whether an asserted WAIT output should be HIGH or LOW. This bit will determine whether the WAIT signal requires a pull-up or pull-down resistor to maintain the de-asserted state.

Latency Counter (BCR[13:11]) Default = Three-Clock Latency

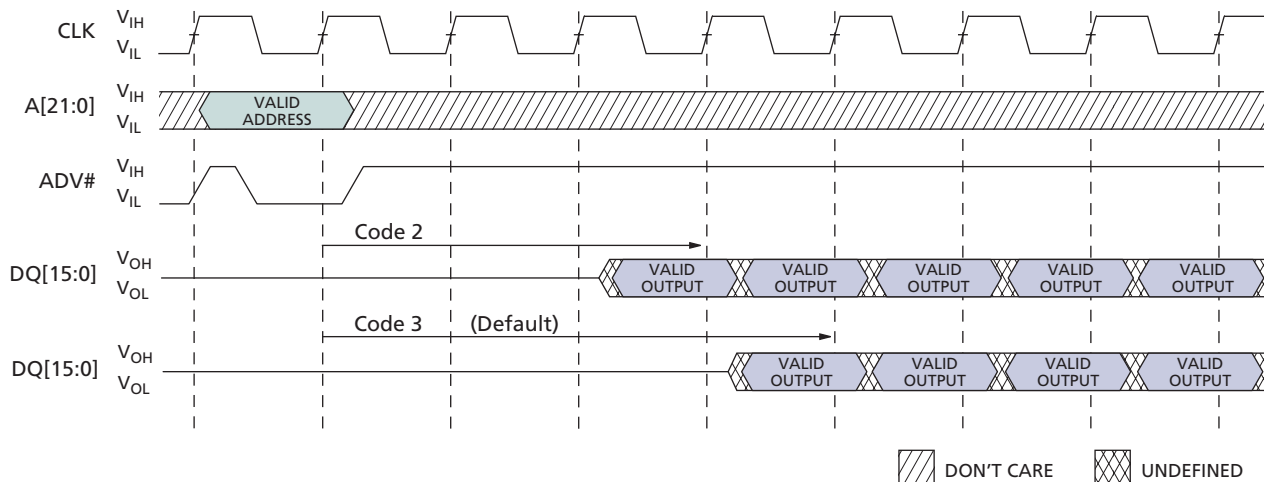
The latency counter bits determine how many clocks occur between the beginning of a READ or WRITE operation and the first data value transferred. Only latency code two (three clocks) or latency code three (four clocks) is allowed (see Table 5 and Figure 21)

Table 5: Latency Configuration

Latency Configuration Code	Max Input CLK Frequency (MHz)	
	-708	-706/-856
2 (3 clocks)	53 (18.75ns)	44 ¹ (22.7ns)
3 (4 clocks) – default	80 (12.50ns)	66 (15.20ns)

Notes: 1. Clock rates below 50 MHz are allowed as long as ^tCSP specifications are met.

Figure 21: Latency Counter





Operating Mode (BCR[15]) Default = Asynchronous Operation

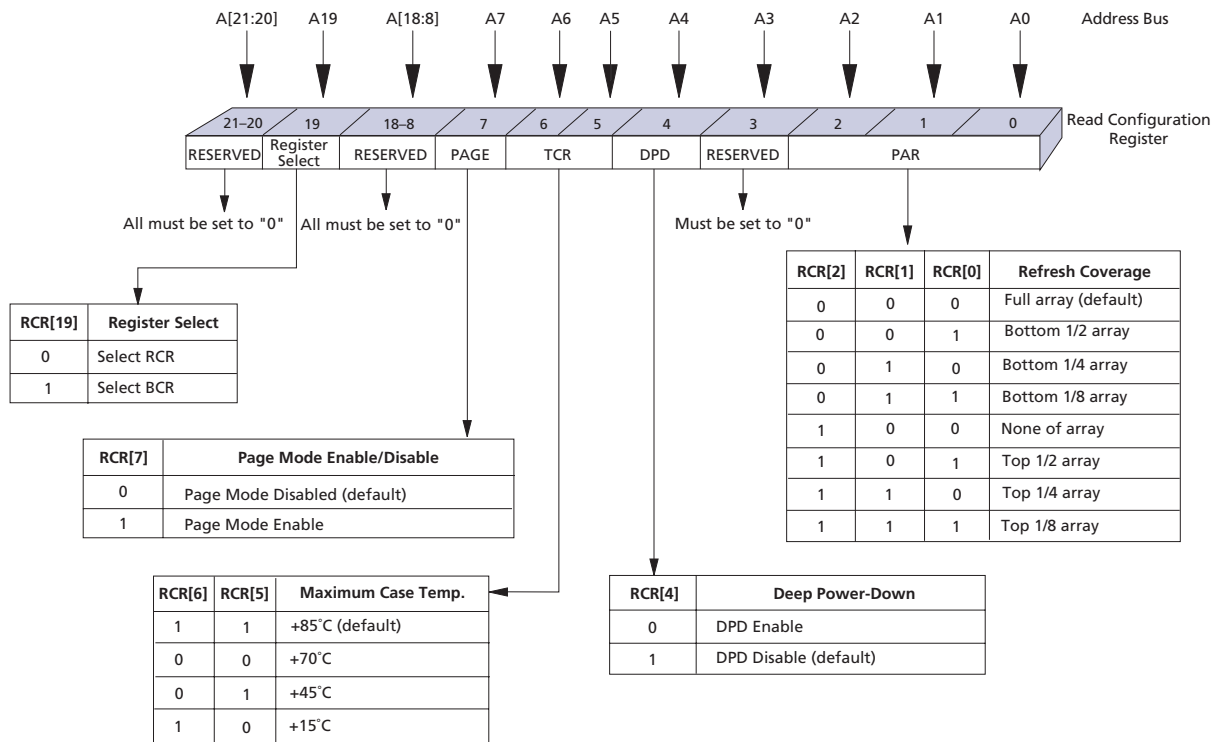
The operating mode bit selects either synchronous burst operation or the default asynchronous mode of operation.

Refresh Configuration Register

The refresh configuration register (RCR) defines how the CellularRAM device performs its transparent self refresh. Altering the refresh parameters can dramatically reduce current consumption during standby mode. Page mode control is also embedded into the RCR. Figure 22 describes the control bits used in the RCR. At power-up, the RCR is set to 0070h.

The RCR is accessed using CRE and A[19] LOW; or through the configuration register software access sequence with DQ = 0000h on the third cycle (see "Configuration Registers" on page 17.)

Figure 22: Refresh Configuration Register Mapping



Partial-Array Refresh (RCR[2:0]) Default = Full Array Refresh

The PAR bits restrict refresh operation to a portion of the total memory array. This feature allows the device to reduce standby current by refreshing only that part of the memory array required by the host system. The refresh options are full array, one-half array, one-quarter array, one-eighth array, or none of the array. The mapping of these partitions can start at either the beginning or the end of the address map.

Table 6: 64Mb Address Patterns for PAR (RCR[4] = 1)

RCR[2]	RCR[1]	RCR[0]	Active Section	Address Space	Size	Density
0	0	0	Full die	000000h–3FFFFFFh	4 Meg x 16	64Mb
0	0	1	One-half of die	000000h–1FFFFFFh	2 Meg x 16	32Mb
0	1	0	One-quarter of die	000000h–0FFFFFFh	1 Meg x 16	16Mb
0	1	1	One-eighth of die	000000h–07FFFFh	512K x 16	8Mb
1	0	0	None of die	0	0 Meg x 16	0Mb
1	0	1	One-half of die	200000h–3FFFFFFh	2 Meg x 16	32Mb
1	1	0	One-quarter of die	300000h–3FFFFFFh	1 Meg x 16	16Mb
1	1	1	One-eighth of die	380000h–3FFFFFFh	521K x 16	8Mb

Deep Power-Down (RCR[4]) Default = DPD Disabled

The deep power-down bit enables and disables all refresh-related activity. This mode is used if the system does not require the storage provided by the CellularRAM device. Any stored data will become corrupted when DPD is enabled. When refresh activity has been re-enabled, the CellularRAM device will require 150µs to perform an initialization procedure before normal operations can resume.

Deep power-down is enabled when RCR[4] = 0, and remains enabled until RCR[4] is set to "1." DPD should not be enabled or disabled with the software access sequence; instead, use CRE to access the RCR.

Temperature-Compensated Refresh (RCR[6:5]) Default = +85°C Operation

The TCR bits allow for adequate refresh at four different temperature thresholds (+15°C, +45°C, +70°C, and +85°C). The setting selected must be for a temperature higher than the case temperature of the CellularRAM device. If the case temperature is +50°C, the system can minimize self refresh current consumption by selecting the +70°C setting. The +15°C and +45°C settings would result in inadequate refreshing and cause data corruption.

Page Mode Operation (RCR[7]) Default = Disabled

The page mode operation bit determines whether page mode is enabled for asynchronous READ operations. In the power-up default state, page mode is disabled.

Electrical Characteristics

Table 7: Absolute Maximum Ratings

Parameter	Rating
Voltage to Any Ball Except VCC, VCCQ Relative to VSS	-0.50V to (4.0V or VCCQ + 0.3V, whichever is less)
Voltage on VCC Supply Relative to VSS	-0.2V to +2.45V
Voltage on VCCQ Supply Relative to VSS	-0.2V to +4.0V
Storage Temperature (plastic)	-55°C to +150°C
Operating Temperature (case)	
Wireless (see Note 1)	-30°C to +85°C
Industrial	-40°C to +85°C
Soldering Temperature and Time 10s (solder ball only)	+260°C

Stresses greater than those listed may cause permanent damage to the device. This is a stress rating only, and functional operation of the device at these or any other conditions above those indicated in the operational sections of this specification is not implied. Exposure to absolute maximum rating conditions for extended periods may affect reliability.

Notes: 1. -30°C exceeds the CellularRAM Working Group 1.0 specification of -25°C.

Table 8: Electrical Characteristics and Operating Conditions

Wireless Temperature¹ (-30°C < T_C < +85°C); Industrial Temperature (-40°C < T_C < +85°C)

Description	Conditions	Symbol	Min	Max	Units	Notes	
Supply Voltage		V _{CC}	1.70	1.95	V		
I/O Supply Voltage		V _{CCQ}	1.70	3.30	V		
Input High Voltage		V _{IH}	1.4	V _{CCQ} + 0.2	V	2, 3	
Input Low Voltage		V _{IL}	-0.20	0.4	V	4	
Output High Voltage	I _{OH} = -0.2mA	V _{OH}	0.80 V _{CCQ}		V	5	
Output Low Voltage	I _{OL} = +0.2mA	V _{OL}		0.20 V _{CCQ}	V	5	
Input Leakage Current	V _{IN} = 0 to V _{CCQ}	I _{LI}		1	μA		
Output Leakage Current	OE# = V _{IH} or Chip Disabled	I _{LO}		1	μA		
Operating Current							
Asynchronous Random READ/ WRITE	V _{IN} = V _{CCQ} or 0V Chip Enabled, I _{OUT} = 0	I _{CC1}	-70		25	mA	6
			-85		20		
Asynchronous Page READ		I _{CC1P}	-70		15	mA	6
			-85		12		
Initial Access, Burst READ/WRITE		I _{CC2}	80 MHz		35	mA	6
			66 MHz		30		
Continuous Burst READ		I _{CC3R}	80 MHz		18	mA	6
			66 MHz		15		
Continuous Burst WRITE		I _{CC3W}	80 MHz		35	mA	6
			66 MHz		30		
Standby Current	V _{IN} = V _{CCQ} or 0V CE# = V _{CCQ}	I _{SB}	Standard		120	μA	7
			Low-Power (L)		100		

- Notes:
1. -30°C exceeds the CellularRAM Working Group 1.0 specification of -25°C.
 2. Input signals may overshoot to V_{CCQ} + 1.0V for periods less than 2ns during transitions.
 3. V_{IH} (MIN) value is not aligned with CellularRAM Working Group 1.0 specification of V_{CCQ} - 0.4V.
 4. Input signals may undershoot to V_{SS} - 1.0V for periods less than 2ns during transitions
 5. BCR[5:4] = 00b.
 6. This parameter is specified with the outputs disabled to avoid external loading effects. The user must add the current required to drive output capacitance expected in the actual system.
 7. I_{SB} (MAX) values measured with PAR set to FULL ARRAY and TCR set to +85°C. In order to achieve low standby current, all inputs must be driven to either V_{CCQ} or V_{SS}. I_{SB} may be slightly higher for up to 500ms after power-up or when entering standby mode.

Maximum and Typical Standby Currents

The following tables and figures refer to the maximum and typical standby currents for the MT45W4MW16BFB device. The typical values shown in Figure 23 on page 31 are measured with the appropriate PAR and TCR settings. The maximum values shown in Table 9 and Table 11 are measured with the relevant TCR bits set in the configuration register.

Table 9: Maximum Standby Currents for Applying PAR and TCR Settings

PAR	TCR			
	+15°C (RCR[6:5] = 10b)	+45°C (RCR[6:5] = 01b)	+70°C (RCR[6:5] = 00b)	+85°C (RCR[6:5] = 11b)
Full Array	70	85	105	120
1/2 Array	65	80	100	115
1/4 Array	60	75	95	110
1/8 Array	57	70	90	105
0 Array	50	55	60	70

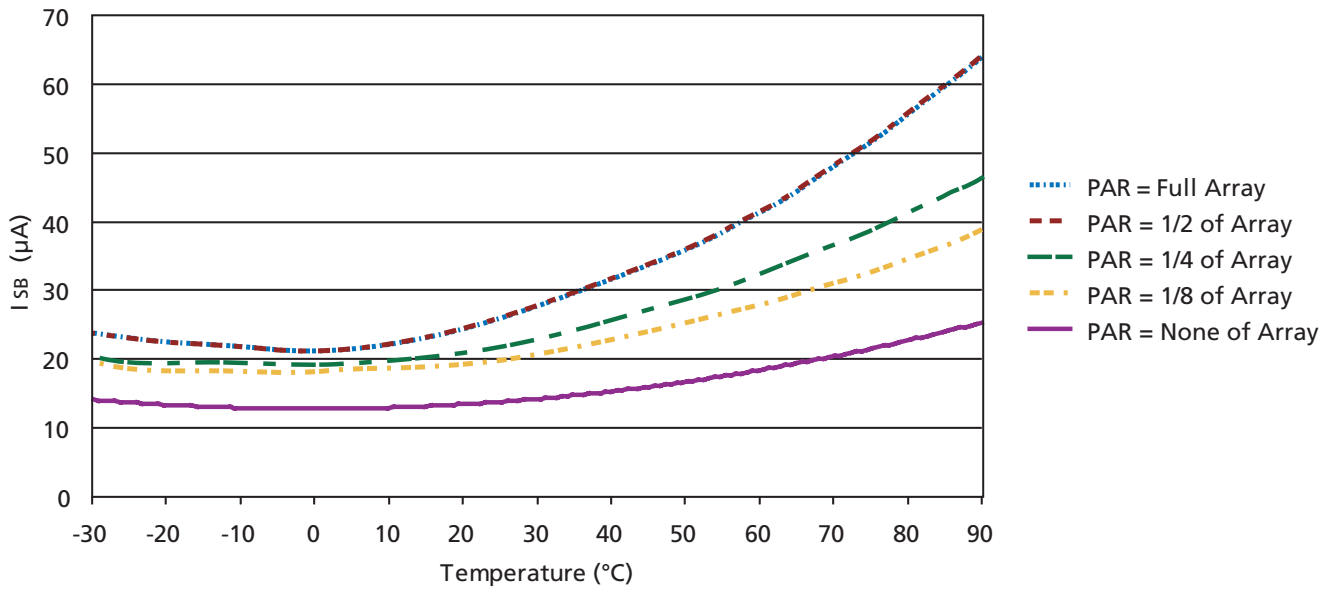
- Notes:
1. For RCR[6:5] = 00b (default), refer to Figure 23, Typical Refresh Current vs. Temperature (I_{tr}), on page 31 for typical values.
 2. In order to achieve low standby current, all inputs must be driven to either V_{ccQ} or V_{ss}. I_{sb} may be slightly higher for up to 500ms after power-up or when entering standby mode.
 3. TCR values for 85°C are 100 percent tested. TCR values for 15°C, 45°C, and 70°C are sampled only.

Table 10: Maximum Standby Currents for Applying PAR and TCR Settings – Low-Power (L)

PAR	TCR			
	+15°C (RCR[6:5] = 10b)	+45°C (RCR[6:5] = 01b)	+70°C (RCR[6:5] = 00b)	+85°C (RCR[6:5] = 11b)
Full Array	60	70	85	100
1/2 Array	57	65	80	95
1/4 Array	54	61	75	90
1/8 Array	52	58	70	85
0 Array	50	55	60	70

- Notes:
1. For RCR[6:5] = 00b (default), refer to Figure 23, Typical Refresh Current vs. Temperature (I_{tr}), on page 31 for typical values.
 2. In order to achieve low standby current, all inputs must be driven to either V_{ccQ} or V_{ss}. I_{sb} may be slightly higher for up to 500ms after power-up or when entering standby mode.
 3. TCR values for 85°C are 100 percent tested. TCR values for 15°C, 45°C, and 70°C are sampled only.

Figure 23: Typical Refresh Current vs. Temperature (ITCR)



Note: Typical I_{SB} currents for each PAR setting with the appropriate TCR selected.

Table 11: Deep Power-Down Specifications

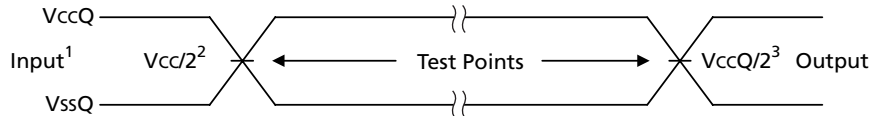
Description	Conditions	Symbol	Typ	Units
Deep Power-Down	V _{IN} = V _{CCQ} or 0V; +25°C	I _{ZZ}	10	µA

Table 12: Capacitance

Description	Conditions	Symbol	Min	Max	Units	Notes
Input Capacitance	$T_C = +25^\circ\text{C}; f = 1 \text{ MHz};$ $V_{IN} = 0\text{V}$	C _{IN}	2.0	6	pF	1
Input/Output Capacitance (DQ)		C _{IO}	2.5	6	pF	1

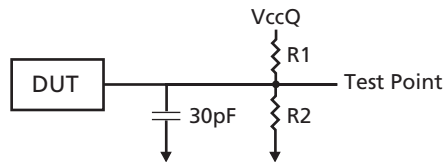
Notes: 1. These parameters are verified in device characterization and are not 100 percent tested.

Figure 24: AC Input/Output Reference Waveform



- Notes: 1. AC test inputs are driven at VccQ for a logic 1 and VssQ for a logic 0. Input rise and fall times (10% to 90%) < 1.6ns.
 2. Input timing begins at Vcc/2. Due to the possibility of a difference between Vcc and VccQ, the input test point may not be shown to scale.
 3. Output timing ends at VccQ/2.

Figure 25: Output Load Circuit



Note: All tests are performed with the outputs configured for full drive strength (BCR[5] = 0).

Table 13: Output Load Circuit

VccQ	R1/R2
1.8V	2.7KΩ
2.5V	3.7KΩ
3.0V	4.5KΩ

Table 14: Asynchronous READ Cycle Timing Requirements

Parameter ¹	Symbol	-70x		-856		Units	Notes
		Min	Max	Min	Max		
Address Access Time	t ^{AA}		70		85	ns	
ADV# Access Time	t ^{AADV}		70		85	ns	
Page Access Time	t ^{APA}		20		25	ns	
Address Hold from ADV# HIGH	t ^{AVH}	5		5		ns	
Address Setup to ADV# HIGH	t ^{AVS}	10		10		ns	
LB#/UB# Access Time	t ^{BA}		70		85	ns	
LB#/UB# Disable to DQ High-Z Output	t ^{BHZ}		8		8	ns	4
LB#/UB# Enable to Low-Z Output	t ^{BLZ}	10		10		ns	3
Maximum CE# Pulse Width	t ^{CEM}		8		8	µs	2
CE# LOW to WAIT Valid	t ^{CEW}	1	7.5	1	7.5	ns	
Chip Select Access Time	t ^{CO}		70		85	ns	
CE# LOW to ADV# HIGH	t ^{CVS}	10		10		ns	
Chip Disable to DQ and WAIT High-Z Output	t ^{HZ}		8		8	ns	4
Chip Enable to Low-Z Output	t ^{LZ}	10		10		ns	3
Output Enable to Valid Output	t ^{OE}		20		20	ns	
Output Hold from Address Change	t ^{OH}	5		5		ns	
Output Disable to DQ High-Z Output	t ^{OHZ}		8		8	ns	4
Output Enable to Low-Z Output	t ^{OLZ}	5		5		ns	3
Page Cycle Time	t ^{PC}	20		25		ns	
READ Cycle Time	t ^{RC}	70		85		ns	
ADV# Pulse Width LOW	t ^{VP}	10		10		ns	
ADV# Pulse Width HIGH	t ^{VPH}	10		10		ns	

- Notes:
1. All tests are performed with the outputs configured for full drive strength (BCR[5] = 0).
 2. Page-mode enabled only.
 3. High-Z to Low-Z timings are tested with the circuit shown in Figure 25 on page 32. The Low-Z timings measure a 100mV transition away from the High-Z (V_{CCQ/2}) level toward either V_{OH} or V_{OL}.
 4. Low-Z to High-Z timings are tested with the circuit shown in Figure 25 on page 32. The High-Z timings measure a 100mV transition from either V_{OH} or V_{OL} toward V_{CCQ/2}.

Table 15: Burst READ Cycle Timing Requirements

Parameter ¹	Symbol	-708		-706/-856		Units	Notes
		Min	Max	Min	Max		
Burst to READ Access Time	^t ABA		46.5		56	ns	
CLK to Output Delay	^t ACLK		9		11	ns	
Burst OE# LOW to Output Delay	^t BOE		20		20	ns	
CE# HIGH between Subsequent Mixed-Mode Operations	^t CBPH	5		5		ns	2
Maximum CE# Pulse Width	^t CEM		8		8	μs	2
CE# LOW to WAIT Valid	^t CEW	1	7.5	1	7.5	ns	
CLK Period	^t CLK	12.5	20	15	20	ns	3
CE# Setup Time to Active CLK Edge	^t CSP	4.5	20	5	20	ns	
Hold Time from Active CLK Edge	^t HD	2		2		ns	
Chip Disable to DQ and WAIT High-Z Output	^t HZ		8		8	ns	4
CLK Rise or Fall Time	^t KHKL		1.8		2.0	ns	
CLK to WAIT Valid	^t KHTL		9		11	ns	
CLK to DQ High-Z Output	^t KHZ	3	8	3	8	ns	4
CLK to Low-Z Output	^t KLZ	2	5	2	5	ns	5
Output HOLD from CLK	^t KOH	2		2		ns	
CLK HIGH or LOW Time	^t KP	4		5		ns	
Output Disable to DQ High-Z Output	^t OHZ		8		8	ns	4
Output Enable to Low-Z Output	^t OLZ	5		5		ns	5
Setup Time to Active CLK Edge	^t SP	3		3		ns	

- Notes:
1. All tests are performed with the outputs configured for full drive strength (BCR[5] = 0).
 2. When configured for synchronous mode (BCR[15] = 0), a refresh opportunity must be provided every ^tCEM. A refresh opportunity is satisfied by either of the following two conditions: a) clocked CE# HIGH, or b) CE# HIGH for greater than 15ns.
 3. Clock rates below 50 MHz (^tCLK > 20ns) are allowed as long as ^tCSP specifications are met.
 4. Low-Z to High-Z timings are tested with the circuit shown in Figure 25 on page 32. The High-Z timings measure a 100mV transition from either V_{OH} or V_{OL} toward V_{CCQ/2}.
 5. High-Z to Low-Z timings are tested with the circuit shown in Figure 25 on page 32. The Low-Z timings measure a 100mV transition away from the High-Z (V_{CCQ/2}) level toward either V_{OH} or V_{OL}.

Table 16: Asynchronous WRITE Cycle Timing Requirements

Parameter	Symbol	-70x		-856		Units	Notes
		Min	Max	Min	Max		
Address and ADV# LOW Setup Time	t_{AS}	0		0		$v\sigma$	
Address Hold from ADV# Going HIGH	t_{AVH}	5		5		ns	
Address Setup to ADV# Going HIGH	t_{AVS}	10		10		ns	
Address Valid to End of WRITE	t_{AW}	70		85		ns	
LB#/UB# Select to End of WRITE	t_{BW}	70		85		ns	
CE# LOW to WAIT Valid	t_{CEW}	1	7.5	1	7.5	ns	
Async Address-to-Burst Transition Time	t_{CKA}	70		85		ns	
CE# HIGH between Subsequent Asynchronous Operations	t_{CPH}	5		5		ns	
CE# LOW to ADV# HIGH	t_{CVS}	10		10		ns	
Chip Enable to End of WRITE	t_{CW}	70		85		ns	
Data Hold from WRITE Time	t_{DH}	0		0		ns	
Data WRITE Setup Time	t_{DW}	23		23		ns	
Chip Disable to WAIT High-Z Output	t_{HZ}		8		8	ns	
Chip Enable to Low-Z Output	t_{LZ}	10		10		ns	1
End WRITE to Low-Z Output	t_{OW}	5		5		ns	1
ADV# Pulse Width	t_{VP}	10		10		ns	
ADV# Pulse Width HIGH	t_{VPH}	10		10		ns	
ADV# Setup to End of WRITE	t_{VS}	70		85		ns	
WRITE Cycle Time	t_{WC}	70		85		ns	
WRITE to DQ High-Z Output	t_{WHZ}		8		8	ns	2
WRITE Pulse Width	t_{WP}	46		55		ns	3
WRITE Pulse Width HIGH	t_{WPH}	10		10		ns	
WRITE Recovery Time	t_{WR}	0		0		ns	

- Notes: 1. High-Z to Low-Z timings are tested with the circuit shown in Figure 25 on page 32. The Low-Z timings measure a 100mV transition away from the High-Z ($V_{CCQ/2}$) level toward either V_{OH} or V_{OL} .
2. Low-Z to High-Z timings are tested with the circuit shown in Figure 25 on page 32. The High-Z timings measure a 100mV transition from either V_{OH} or V_{OL} toward $V_{CCQ/2}$.
3. WE# LOW time must be limited to t_{CEM} (8 μ s).

Table 17: Burst WRITE Cycle Timing Requirements

Parameter	Symbol	-708		-706/-856		Units	Notes
		Min	Max	Min	Max		
CE# HIGH between Subsequent Mixed-Mode Operations	t_{CBPH}	5		5		ns	1
Minimum CE# Pulse Width	t_{CEM}		8		8	μ s	1
CE# LOW to WAIT Valid	t_{CEW}	1	7.5	1	7.5	ns	
Clock Period	t_{CLK}	12.5	20	15	20	ns	3
CE# Setup to CLK Active Edge	t_{CSP}	4.5	20	5	20	ns	
Hold Time from Active CLK Edge	t_{HD}	2		2		ns	
Chip Disable to WAIT High-Z Output	t_{HZ}		8		8	ns	
CLK Rise or Fall Time	t_{KHKL}		1.8		2.0	ns	
Clock to WAIT Valid	t_{KHTL}		9		11	ns	
CLK HIGH or LOW Time	t_{KP}	4		5		ns	
Setup Time to Activate CLK Edge	t_{SP}	3		3		ns	

- Notes: 1. When configured for synchronous mode (BCR[15] = 0), a refresh opportunity must be provided every t_{CEM} . A refresh opportunity is satisfied by either of the following two conditions: a) clocked CE# HIGH, or b) CE# HIGH for greater than 15ns.
2. Clock rates below 50 MHz ($t_{CLK} > 20$ ns) are allowed as long as t_{CSP} specifications are met.

Timing Diagrams

Figure 26: Initialization Period

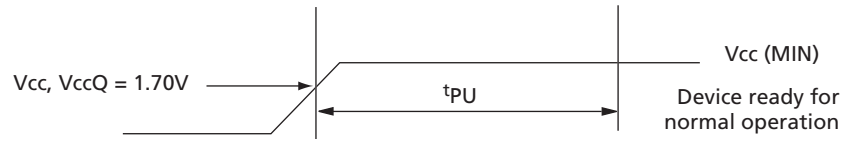


Table 18: Initialization Timing Parameters

Parameter	Symbol	-70x		-856		Units
		Min	Max	Min	Max	
Initialization Period (required before normal operations)	t_{PU}		150		150	μs

Figure 27: Asynchronous READ

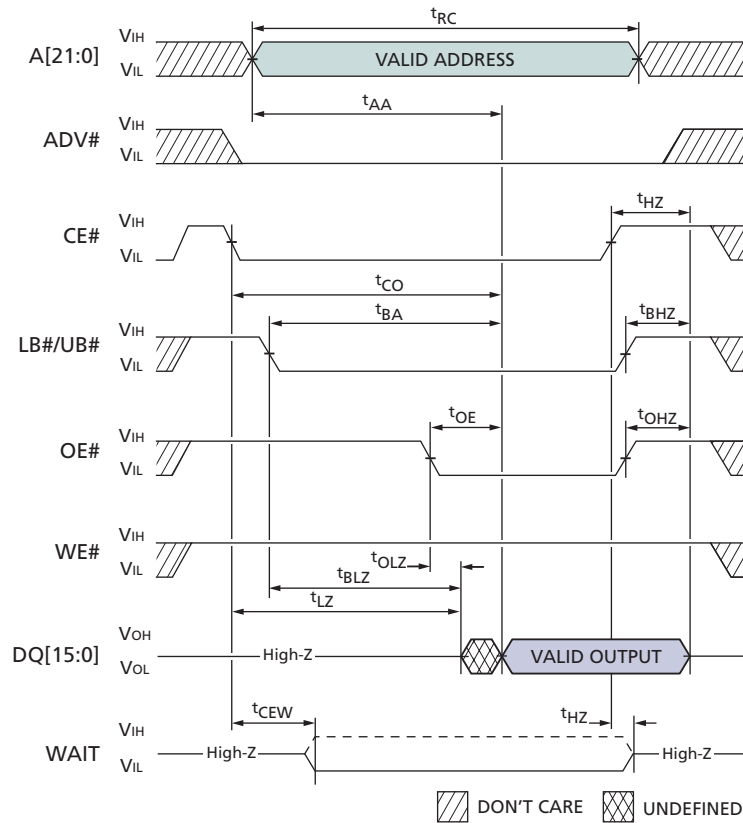


Table 19: Asynchronous READ Timing Parameters

Symbol	-70x		-856		Units
	Min	Max	Min	Max	
t_{AA}		70		85	ns
t_{BA}		70		85	ns
t_{BHZ}		8		8	ns
t_{BLZ}	10		10		ns
t_{CEW}	1	7.5	1	7.5	ns
t_{CO}		70		85	ns

Symbol	-70x		-856		Units
	Min	Max	Min	Max	
t_{HZ}		8		8	ns
t_{LZ}	10		10		ns
t_{OE}		20		20	ns
t_{OHZ}		8		8	ns
t_{OLZ}	5		5		ns
t_{RC}	70		85		ns

Figure 28: Asynchronous READ Using ADV#

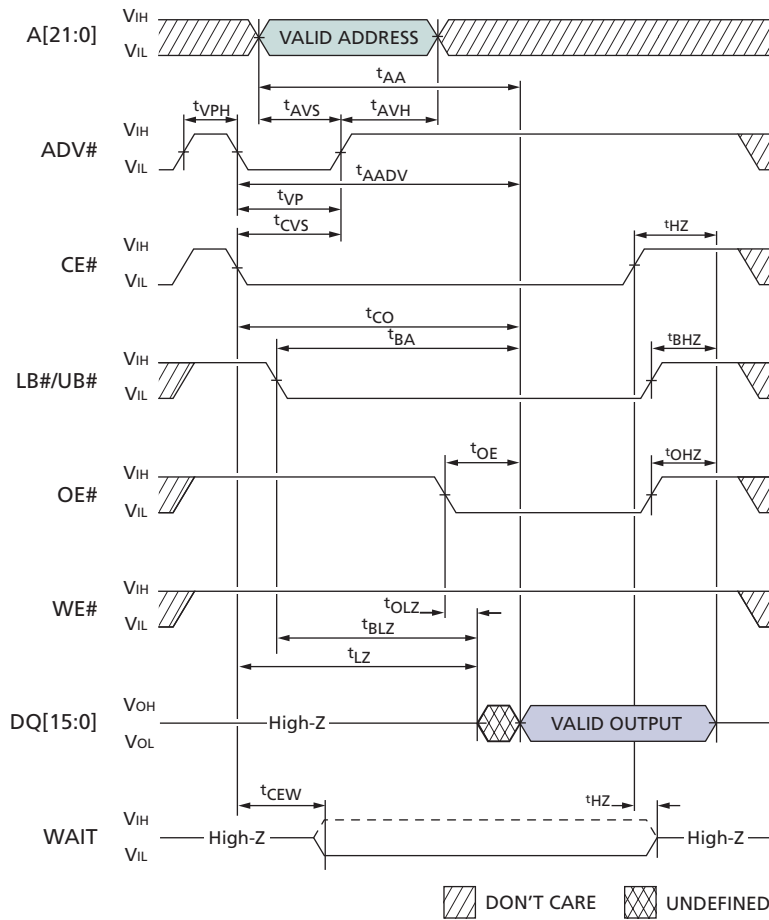


Table 20: Asynchronous READ Timing Parameters Using ADV#

Symbol	-70x		-856		Units
	Min	Max	Min	Max	
t_{AA}		70		85	ns
t_{AADV}		70		85	ns
t_{AVH}	5		5		ns
t_{AVS}	10		10		ns
t_{BA}		70		85	ns
t_{BHZ}		8		8	ns
t_{BLZ}	10		10		ns
t_{CEW}	1	7.5	1	7.5	ns
t_{CO}		70		85	ns

Symbol	-70x		-856		Units
	Min	Max	Min	Max	
t_{CVS}	10		10		ns
t_{HZ}		8		8	ns
t_{LZ}	10		10		ns
t_{OE}		20		20	ns
t_{OHZ}		8		8	ns
t_{OLZ}	5		5		ns
t_{VP}	10		10		ns
t_{VPH}	10		10		ns

Figure 29: Page Mode READ

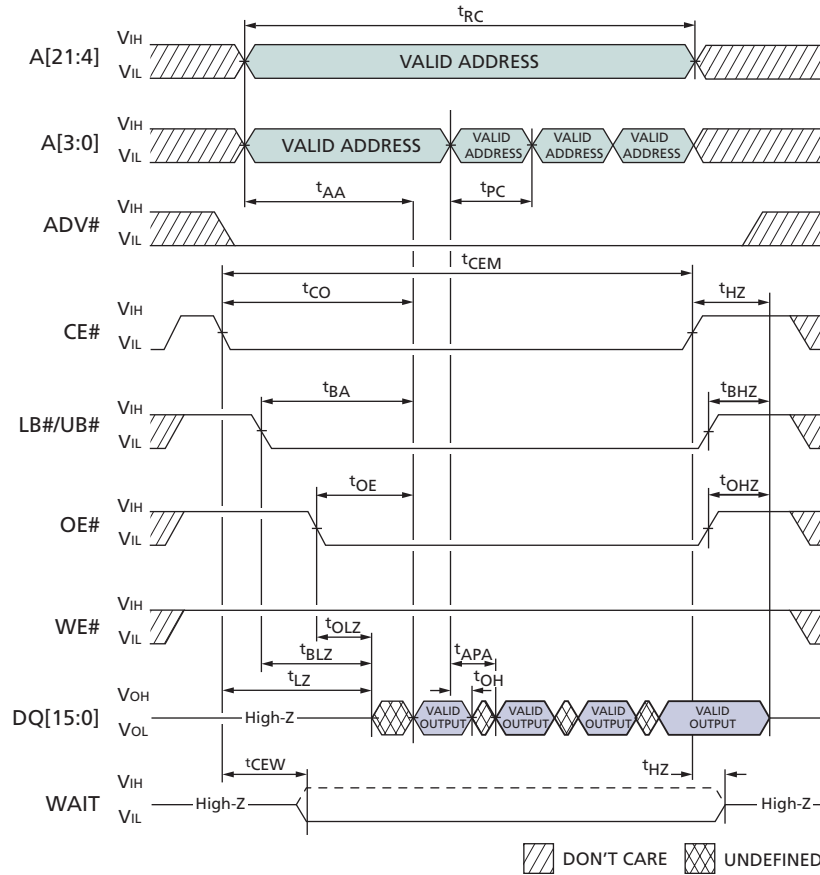
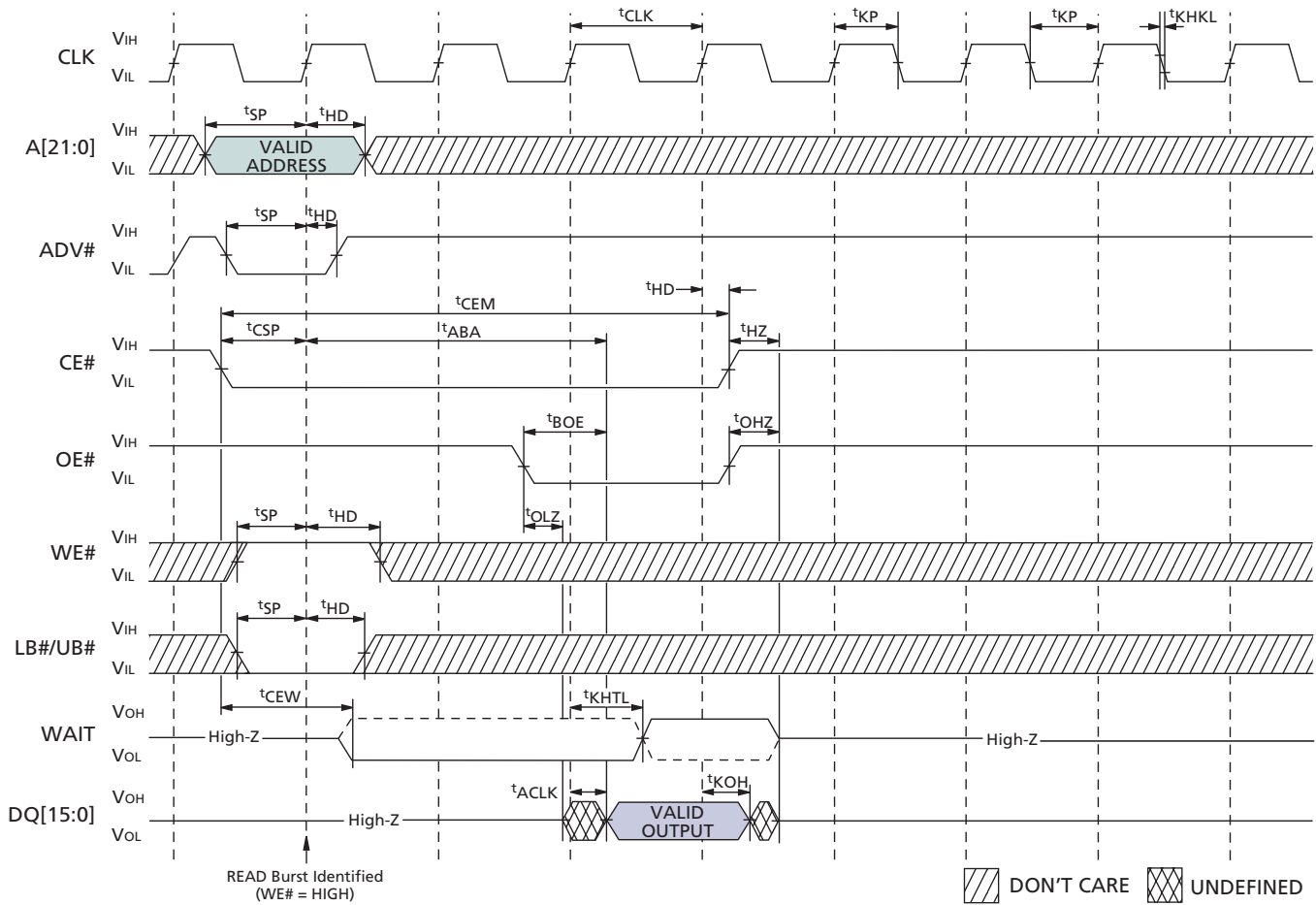


Table 21: Asynchronous READ Timing Parameters – Page Mode Operation

Symbol	-70x		-856		Units
	Min	Max	Min	Max	
t_{AA}		70		85	ns
t_{APA}		20		25	ns
t_{BA}		70		85	ns
t_{BHZ}		8		8	ns
t_{BLZ}	10		10		ns
t_{CEM}		8		8	μ s
t_{CEW}	1	7.5	1	7.5	ns
t_{CO}		70		85	ns

Symbol	-70x		-856		Units
	Min	Max	Min	Max	
t_{HZ}		8		8	ns
t_{LZ}	10		10		ns
t_{OE}		20		20	ns
t_{OH}	5		5		ns
t_{OHZ}		8		8	ns
t_{OLZ}	5		5		ns
t_{PC}	20		25		ns
t_{RC}	70		85		ns

Figure 30: Single-Access Burst READ Operation



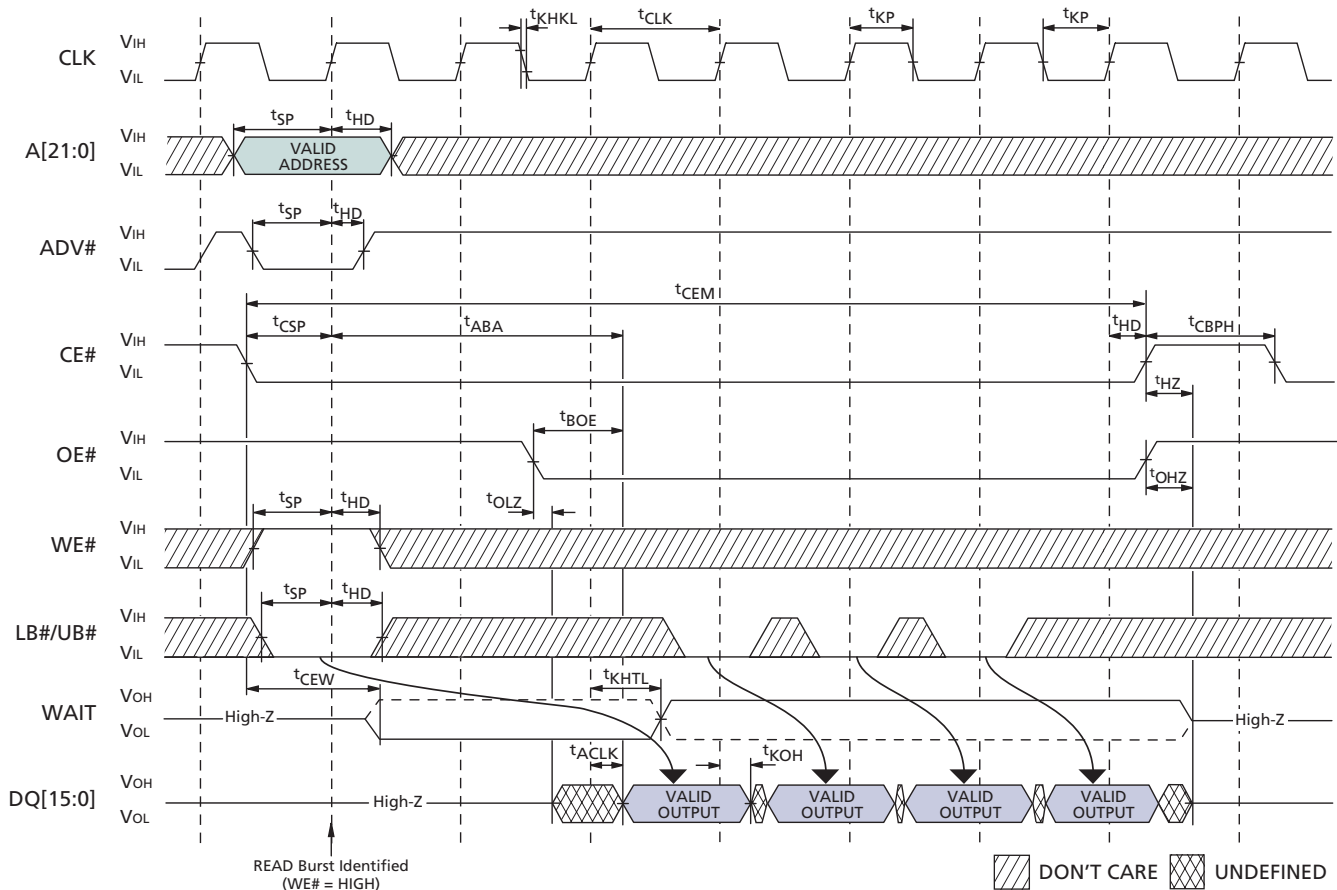
- Notes: 1. Non-default BCR settings for single-access burst READ operation: Latency code two (three clocks); WAIT active LOW; WAIT asserted during delay.
 2. Clock rates below 50 MHz ($t_{CLK} > 20\text{ns}$) are allowed as long as t_{CSP} specifications are met.

Table 22: Burst READ Timing Parameters – Single Access

Symbol	-708		-706/-856		Units
	Min	Max	Min	Max	
t_{ABA}		46.5		56	ns
t_{ACLK}		9		11	ns
t_{BOE}		20		20	ns
t_{CEM}		8		8	μs
t_{CEW}	1	7.5	1	7.5	ns
t_{CLK}	12.5	20	15	20	ns
t_{CSP}	4.5	20	5	20	ns
t_{HD}	2		2		ns

Symbol	-708		-706/-856		Units
	Min	Max	Min	Max	
t_{HZ}		8		8	ns
t_{KHKL}		1.8		2.0	ns
t_{KHTL}		9		11	ns
t_{KOH}	2		2		ns
t_{KP}	4		5		ns
t_{OHZ}		8		8	ns
t_{OLZ}	5		5		ns
t_{SP}	3		3		ns

Figure 31: 4-Word Burst READ Operation



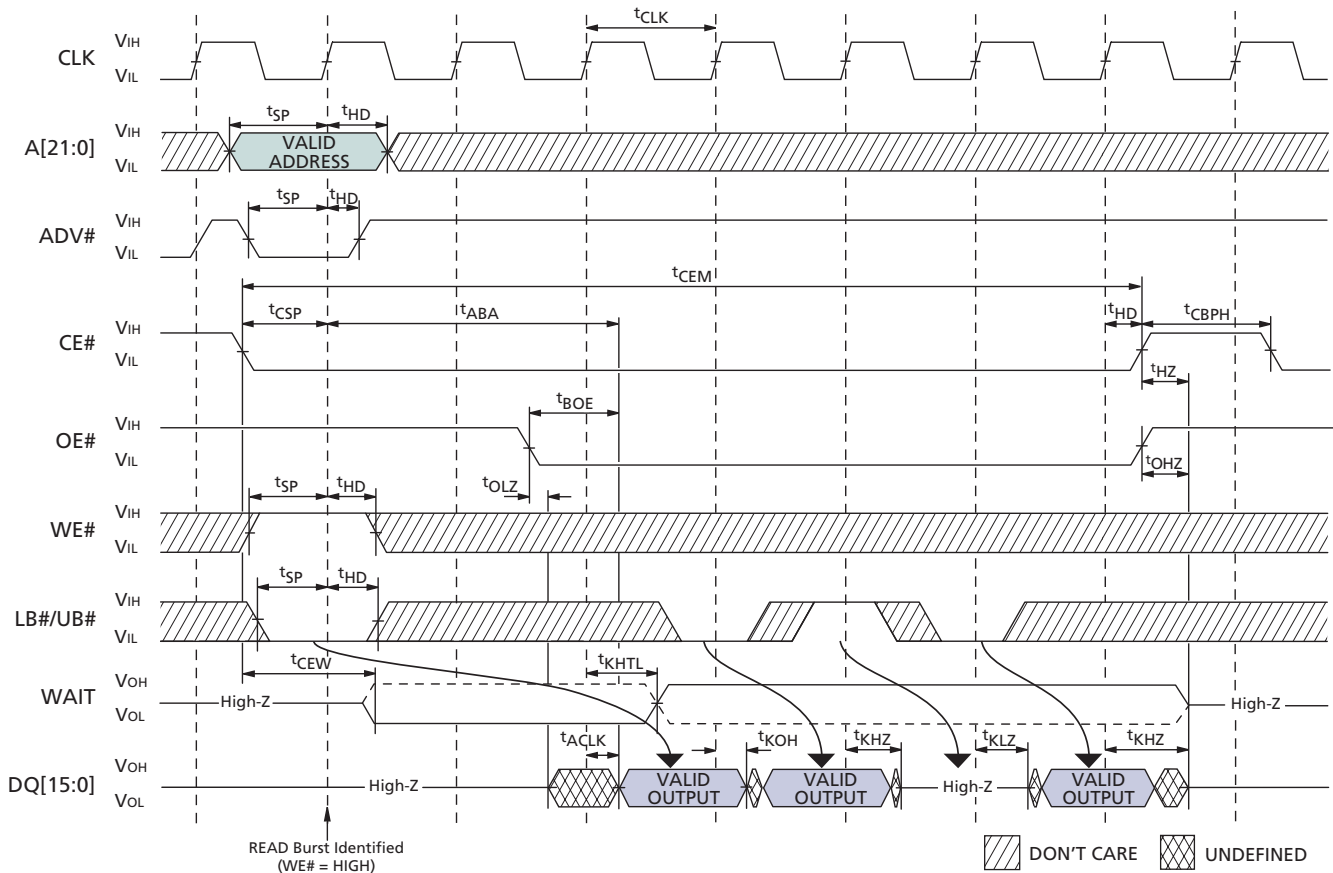
- Notes: 1. Non-default BCR settings for 4-word burst READ operation: Latency code two (three clocks); WAIT active LOW; WAIT asserted during delay.
 2. Clock rates below 50 MHz (t_{CLK} > 20ns) are allowed as long as t_{CSP} specifications are met.

Table 23: Burst READ Timing Parameters – 4-Word Burst

Symbol	-708		-706/-856		Units
	Min	Max	Min	Max	
t _{ABA}		46.5		56	ns
t _{ACLK}		9		11	ns
t _{BOE}		20		20	ns
t _{CBPH}	5		5		ns
t _{CEM}		8		8	μs
t _{CEW}	1	7.5	1	7.5	ns
t _{CLK}	12.5	20	15	20	ns
t _{CSP}	4.5	20	5	20	ns
t _{HD}	2		2		ns

Symbol	-708		-706/-856		Units
	Min	Max	Min	Max	
t _{HZ}		8		8	ns
t _{KHL}		1.8		2.0	ns
t _{KHTL}		9		11	ns
t _{KOH}	2		2		ns
t _{KP}	4		5		ns
t _{OHZ}		8		8	ns
t _{OLZ}	5		5		ns
t _{SP}	3		3		ns

Figure 32: 4-Word Burst READ Operation (with LB#/UB#)



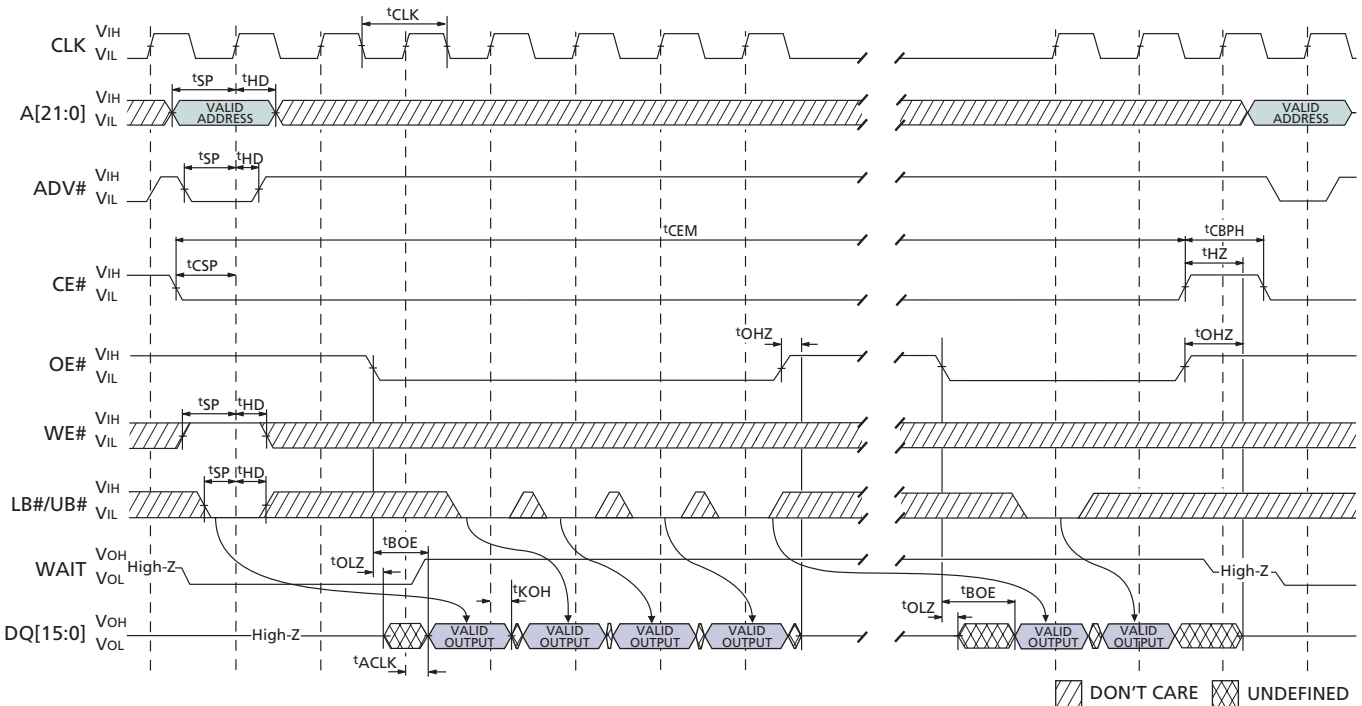
- Notes: 1. Non-default BCR settings for 4-word burst READ operation with LB#/UB#: Latency code two (three clocks); WAIT active LOW; WAIT asserted during delay.
2. Clock rates below 50 MHz ($t_{CLK} > 20\text{ns}$) are allowed as long as t_{CSP} specifications are met. BCR configured with a burst length of four.

Table 24: Burst READ Timing Parameters – 4-Word Burst with LB#/UB#

Symbol	-708		-706/-856		Units
	Min	Max	Min	Max	
t_{ABA}		46.5		56	ns
t_{ACLK}		9		11	ns
t_{BOE}		20		20	ns
t_{CBPH}	5		5		ns
t_{CEM}		8		8	μs
t_{CEW}	1	7.5	1	7.5	ns
t_{CLK}	12.5	20	15	20	ns
t_{CSP}	4.5	20	5	20	ns
t_{HD}	2		2		ns

Symbol	-708		-706/-856		Units
	Min	Max	Min	Max	
t_{HZ}		8		8	ns
t_{KHTL}		9		11	ns
t_{KHZ}	3	8	3	8	ns
t_{KLZ}	2	5	2	5	ns
t_{KOH}	2		2		ns
t_{OHZ}		8		8	ns
t_{OLZ}	5		5		ns
t_{SP}	3		3		ns

Figure 33: READ Burst Suspend



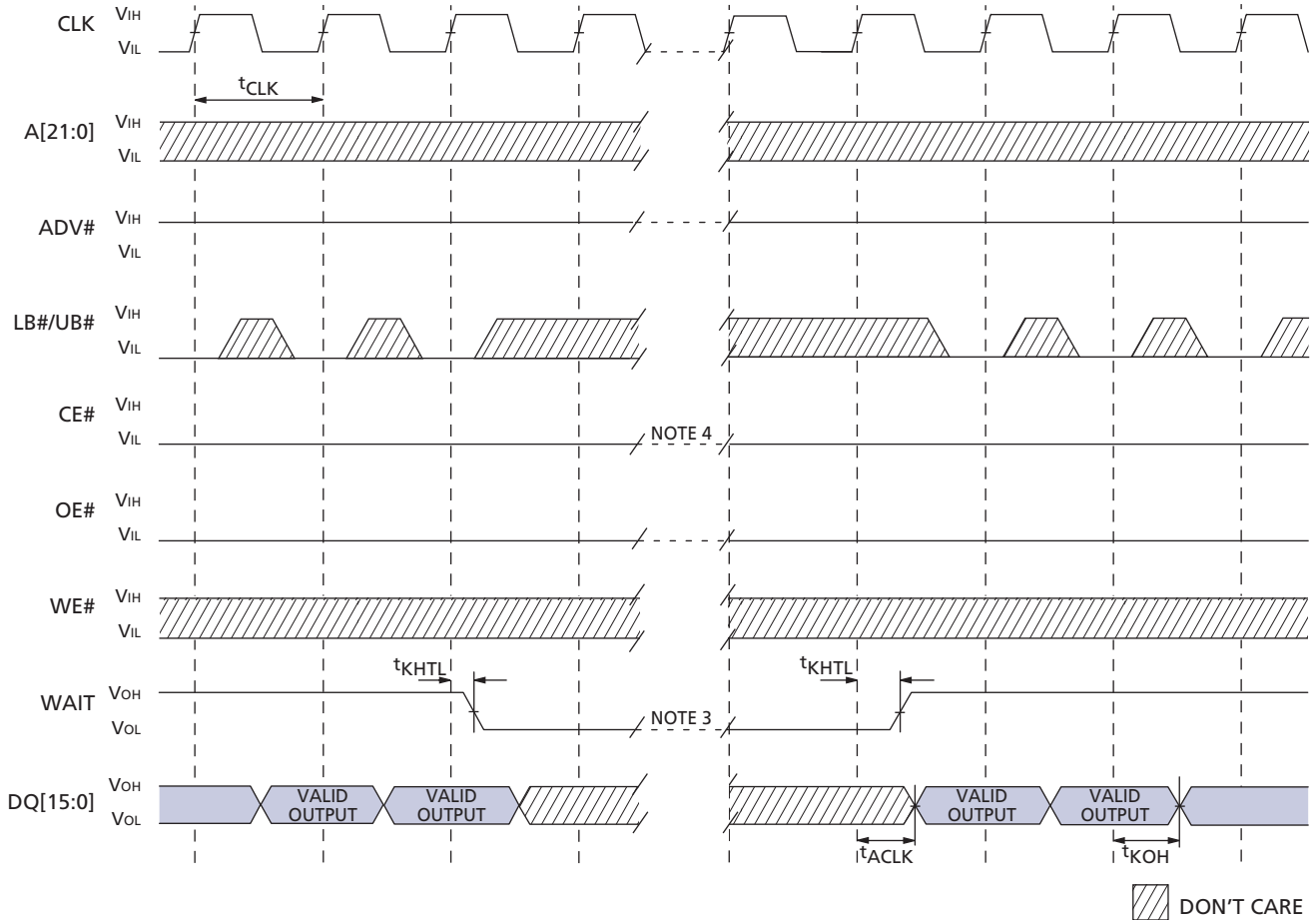
- Notes: 1. Non-default BCR settings for READ burst suspend: Latency code two (three clocks); WAIT active LOW; WAIT asserted during delay.
2. Clock rates below 50 MHz ($t_{CLK} > 20\text{ns}$) are allowed as long as t_{CSP} specifications are met.

Table 25: Burst READ Timing Parameters – Burst Suspend

Symbol	-708		-706/-856		Units
	Min	Max	Min	Max	
t_{ACLK}		9		11	ns
t_{BOE}		20		20	ns
t_{CBPH}	5		5		ns
t_{CEM}		8		8	μs
t_{CLK}	12.5	20	15	20	ns
t_{CSP}	4.5	20	5	20	ns

Symbol	-708		-706/-856		Units
	Min	Max	Min	Max	
t_{HD}	2		2		ns
t_{HZ}		8		8	ns
t_{KOH}	2		2		ns
t_{OHZ}		8		8	ns
t_{OLZ}	5		5		ns
t_{SP}	3		3		ns

Figure 34: Continuous Burst READ Showing an Output Delay with BCR[8] = 0 for End-of-Row Condition



- Notes:
1. Non-default BCR settings for continuous burst READ, showing an output delay, with BCR[8] = 0 for end-of-row condition: Latency code two (three clocks); WAIT active LOW; WAIT asserted during delay.
 2. Clock rates below 50 MHz ($t_{CLK} > 20\text{ns}$) are allowed as long as t_{CSP} specifications are met.
 3. WAIT will be asserted a maximum of (2 x LC) cycles (BCR[8] = 0; WAIT asserted during delay). LC = Latency Code (BCR[13:11]).
 4. CE# must not remain LOW longer than t_{CEM} .

Table 26: Burst READ Timing Parameters – BCR[8] = 0

Symbol	-708		-706/-856		Units
	Min	Max	Min	Max	
t_{ACLK}		9		11	ns
t_{CLK}	12.5	20	15	20	ns

Symbol	-708		-706/-856		Units
	Min	Max	Min	Max	
t_{KHTL}		9		11	ns
t_{KOH}	2		2		ns

Figure 35: CE#-Controlled Asynchronous WRITE

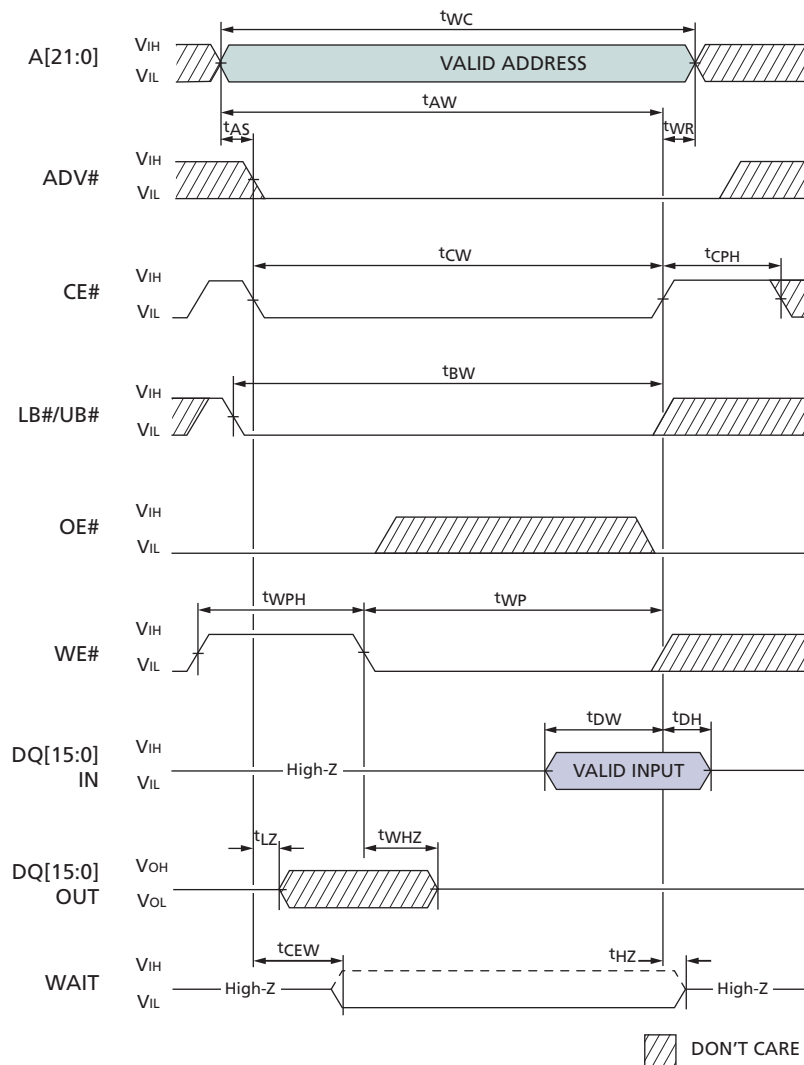


Table 27: Asynchronous WRITE Timing Parameters – CE#-Controlled

Symbol	-70x		-856		Units
	Min	Max	Min	Max	
t_{AS}	0		0		$v\sigma$
t_{AW}	70		85		ns
t_{BW}	70		85		ns
t_{CEW}	1	7.5	1	7.5	ns
t_{CPH}	5		5		ns
t_{CW}	70		85		ns
t_{DH}	0		0		ns
t_{DW}	23		23		ns

Symbol	-70x		-856		Units
	Min	Max	Min	Max	
t_{HZ}		8		8	ns
t_{LZ}	10		10		ns
t_{WC}	70		85		ns
t_{WHZ}		8		8	ns
t_{WP}	46		55		ns
t_{WPH}	10		10		ns
t_{WR}	0		0		ns

Figure 36: LB#/UB#-Controlled Asynchronous WRITE

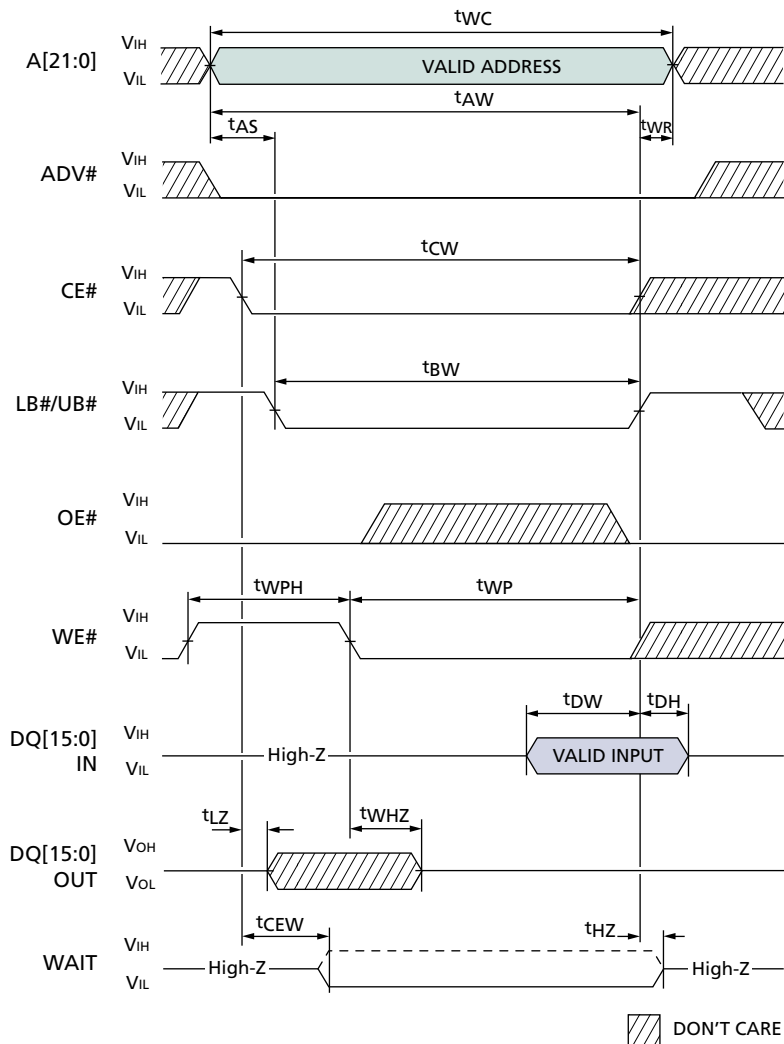


Table 28: Asynchronous WRITE Timing Parameters – LB#/UB#-Controlled

Symbol	-70x		-856		Units
	Min	Max	Min	Max	
t_{AS}	0		0		ns
t_{AW}	70		85		ns
t_{BW}	70		85		ns
t_{CEW}	1	7.5	1	7.5	ns
t_{CW}	70		85		ns
t_{DH}	0		0		ns
t_{DW}	23		23		ns

Symbol	-70x		-856		Units
	Min	Max	Min	Max	
t_{HZ}		8		8	ns
t_{LZ}	10		10		ns
t_{WC}	70		85		ns
t_{WHZ}		8		8	ns
t_{WP}	46		55		ns
t_{WPH}	10		10		ns
t_{WR}	0		0		ns

Figure 37: WE#-Controlled Asynchronous WRITE

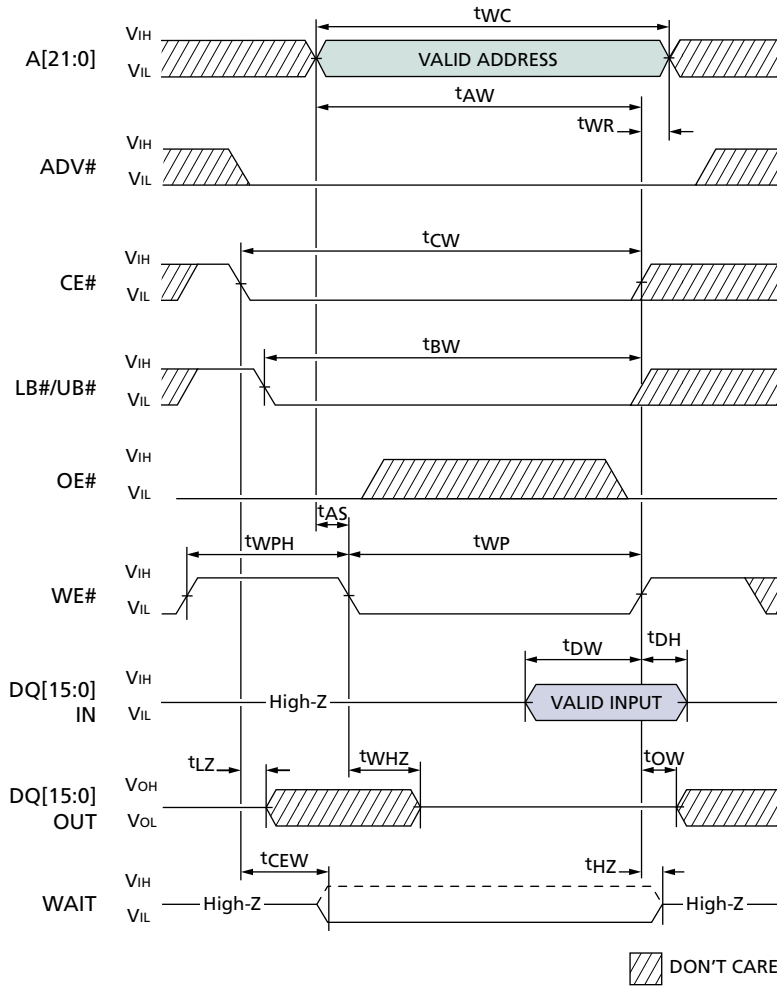


Table 29: Asynchronous WRITE Timing Parameters – WE#-Controlled

Symbol	-70x		-856		Units
	Min	Max	Min	Max	
t_{AS}	0		0		ns
t_{AW}	70		85		ns
t_{BW}	70		85		ns
t_{CEW}	1	7.5	1	7.5	ns
t_{CW}	70		85		ns
t_{DH}	0		0		ns
t_{DW}	23		23		ns
t_{HZ}		8		8	ns

Symbol	-70x		-856		Units
	Min	Max	Min	Max	
t_{LZ}	10		10		ns
t_{OW}	5		5		ns
t_{WC}	70		85		ns
t_{WHZ}		8		8	ns
t_{WP}	46		55		ns
t_{WPH}	10		10		ns
t_{WR}	0		0		ns

Figure 38: Asynchronous WRITE Using ADV#

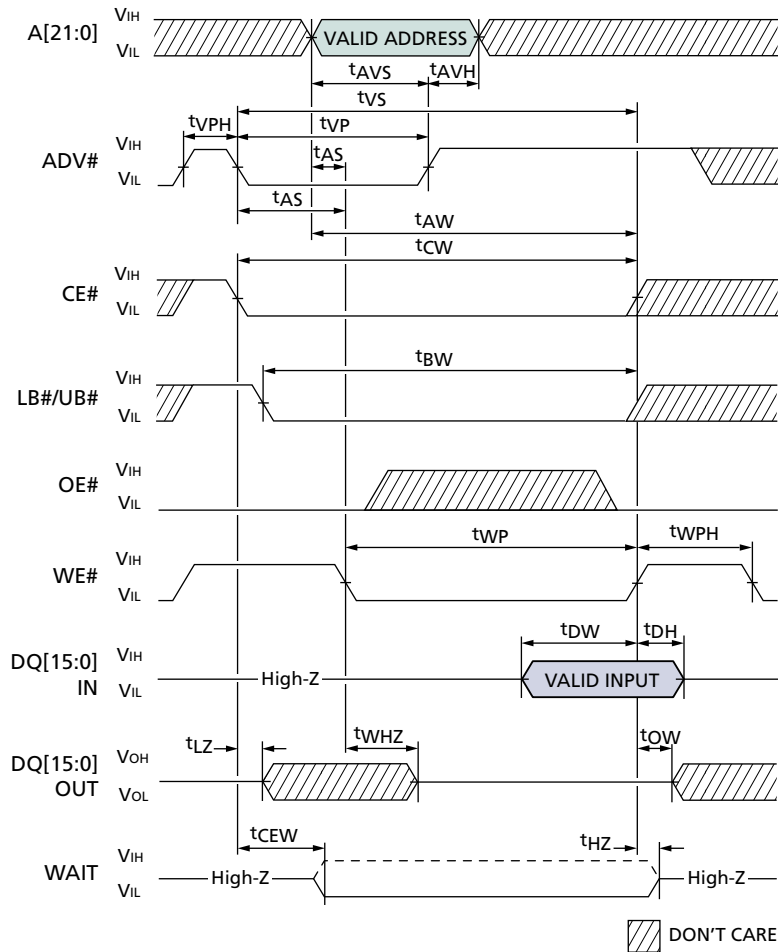
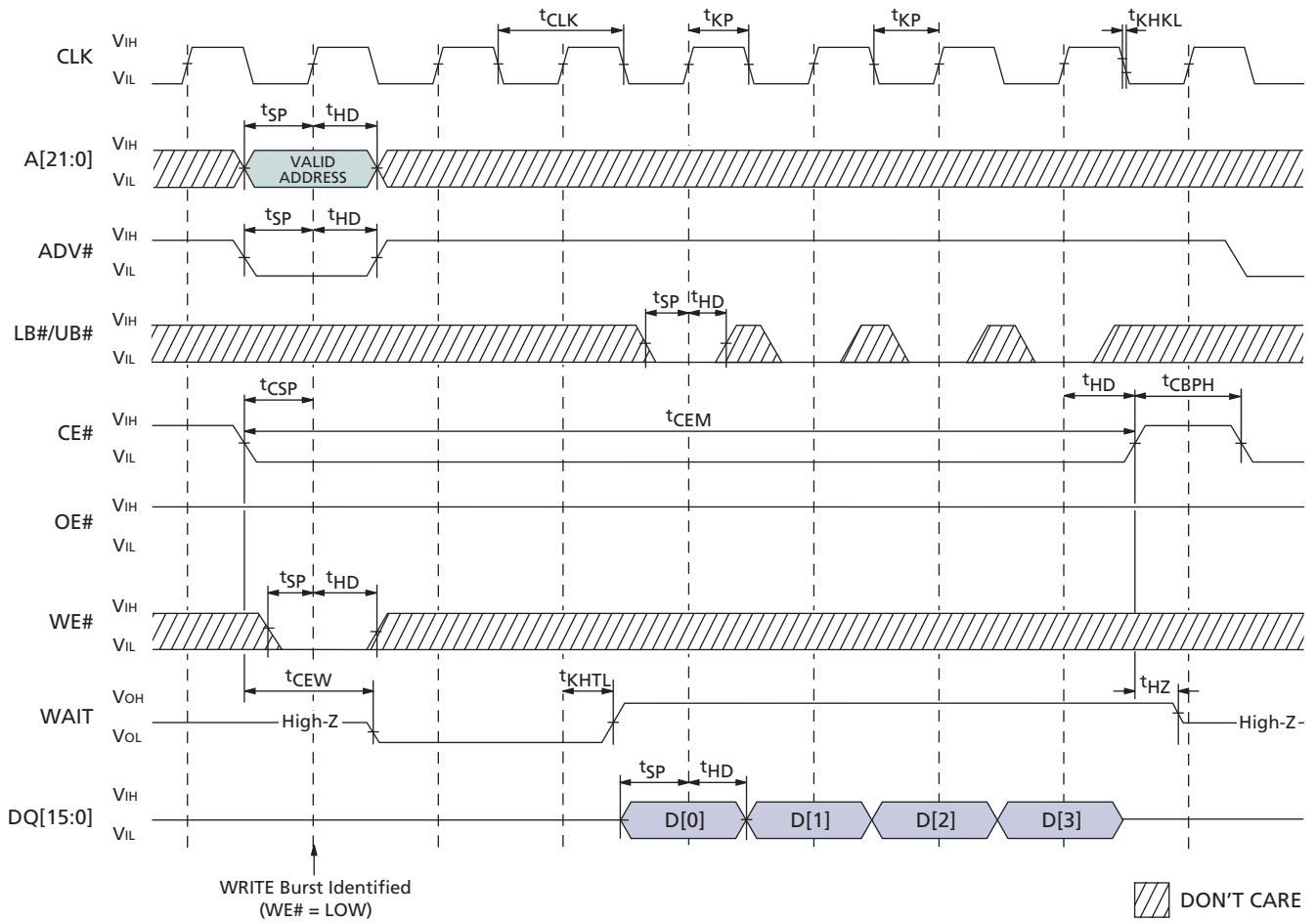


Table 30: Asynchronous WRITE Timing Parameters Using ADV#

Symbol	-70x		-856		Units
	Min	Max	Min	Max	
t_{AS}	0		0		ns
t_{AVH}	5		5		ns
t_{AVS}	10		10		ns
t_{AW}	70		85		ns
t_{BW}	70		85		ns
t_{CEW}	1	7.5	1	7.5	ns
t_{CW}	70		85		ns
t_{DH}	0		0		ns
t_{DW}	23		23		ns

Symbol	-70x		-856		Units
	Min	Max	Min	Max	
t_{HZ}		8		8	ns
t_{LZ}	10		10		ns
t_{OW}	5		5		ns
t_{VP}	10		10		ns
t_{VPH}	10		10		ns
t_{VS}	70		85		ns
t_{WHZ}		8		8	ns
t_{WP}	46		55		ns
t_{WPH}	10		10		ns

Figure 39: Burst WRITE Operation



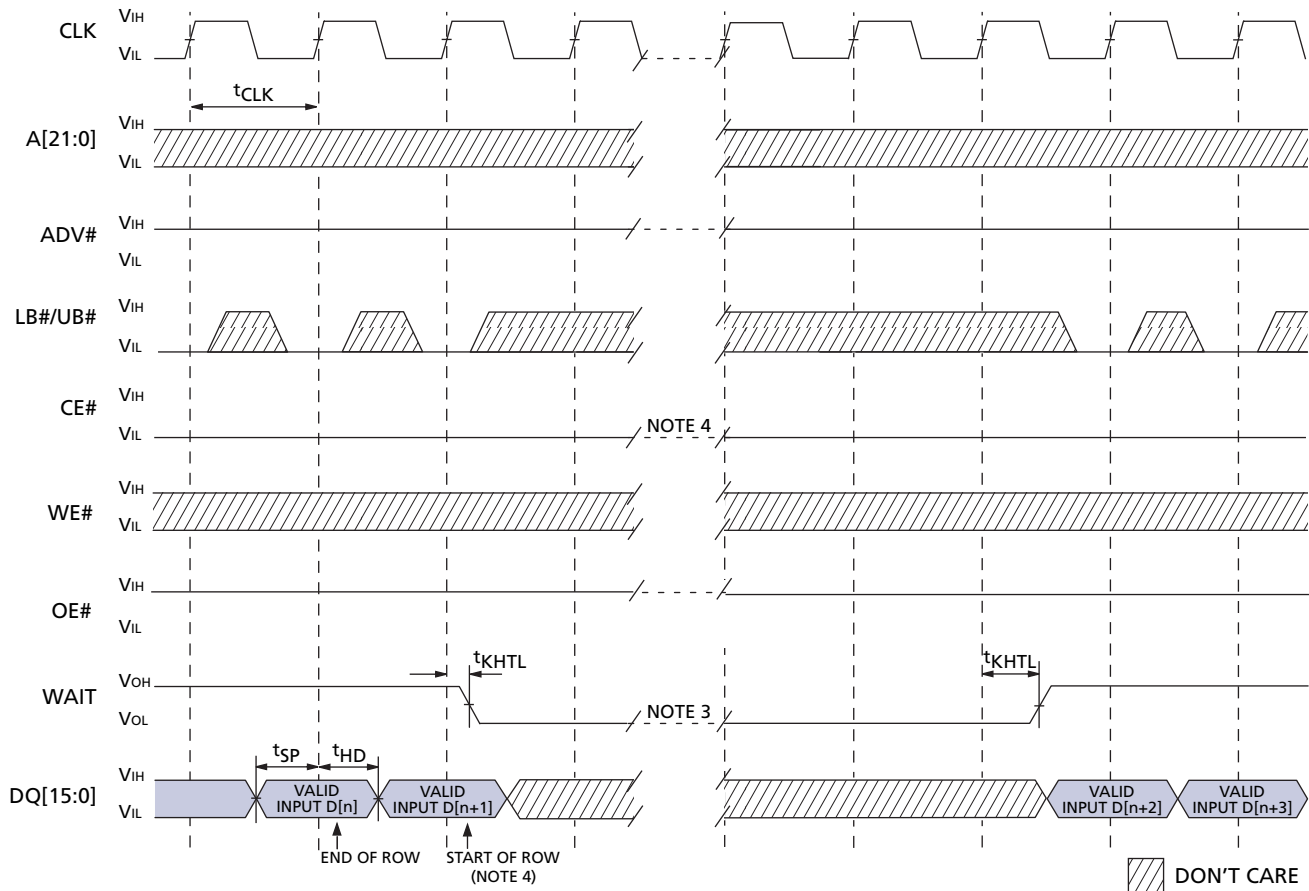
- Notes: 1. Non-default BCR settings for burst WRITE operation: Latency code two (three clocks); WAIT active LOW; WAIT asserted during delay.
2. Clock rates below 50 MHz ($t_{CLK} > 20\text{ns}$) are allowed as long as t_{CSP} specifications are met.

Table 31: Burst WRITE Timing Parameters

Symbol	-708		-706/-856		Units
	Min	Max	Min	Max	
t_{CBPH}	5		5		ns
t_{CEM}		8		8	μs
t_{CEW}	1	7.5	1	7.5	ns
t_{CLK}	12.5	20	15	20	ns
t_{CSP}	4.5	20	5	20	ns
t_{HD}	2		2		ns

Symbol	-708		-706/-856		Units
	Min	Max	Min	Max	
t_{HZ}		8		8	ns
t_{KHKL}		1.8		2.0	ns
t_{KHTL}		9		11	ns
t_{KP}	4		5		ns
t_{SP}	3		3		ns

Figure 40: Continuous Burst WRITE Showing an Output Delay with BCR[8] = 0 for End-of-Row Condition



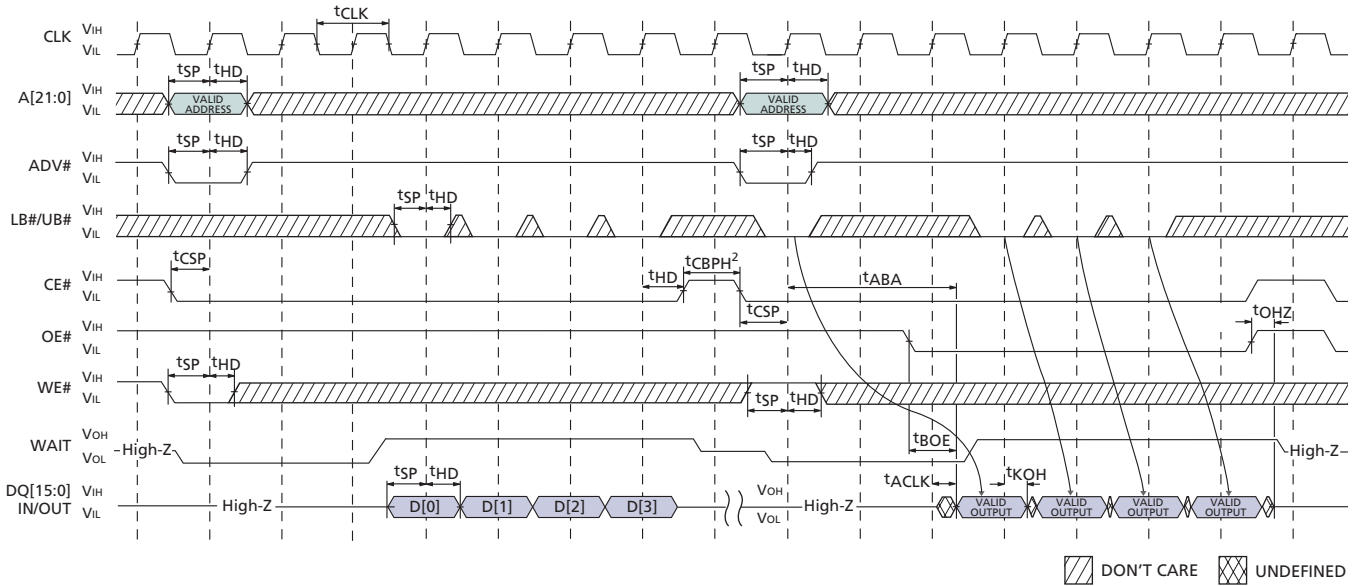
- Notes:
1. Non-default BCR settings for continuous burst WRITE, showing an output delay, with BCR[8] = 0 for end-of-row condition: Latency code two (three clocks); WAIT active LOW; WAIT asserted during delay.
 2. Clock rates below 50 MHz ($t_{CLK} > 20\text{ns}$) are allowed as long as t_{CSP} specifications are met.
 3. WAIT will be asserted a maximum of $(2 \times LC) + 1$ cycles (BCR[8] = 0; WAIT asserted during delay). LC = Latency Code (BCR[13:11]).
 4. Taking CE# HIGH or ADV# LOW on the start-of-row cycle will abort the burst and not write the start-of-row data. Devices from different CellularRAM vendors can assert WAIT so that the start-of-row data is input just before (as shown) or just after WAIT asserts. This difference in behavior will not be noticed by controllers that monitor WAIT or that use WAIT to abort on the start-of-row input cycle.

Table 32: Burst WRITE Timing Parameters – BCR[8] = 0

Symbol	-708		-706/-856		Units
	Min	Max	Min	Max	
t_{CLK}	12.5	20	15	20	ns
t_{HD}	2		2		ns

Symbol	-708		-706/-856		Units
	Min	Max	Min	Max	
t_{KHTL}		9		11	ns
t_{SP}	3		3		ns

Figure 41: Burst WRITE Followed by Burst READ



- Notes:
1. Non-default BCR settings for burst WRITE followed by burst READ: Latency code two (three clocks); WAIT active LOW; WAIT asserted during delay.
 2. When configured for synchronous mode (BCR[15] = 0), a refresh opportunity must be provided every t_{CEM} . A refresh opportunity is satisfied by either of the following two conditions: a) clocked CE# HIGH, or b) CE# HIGH for greater than 15ns. Note that CellularRAM Working Group 1.0 specification requires CE# to be clocked HIGH to terminate the burst.
 3. Clock rates below 50 MHz ($t_{CLK} > 20ns$) are allowed as long as t_{CSP} specifications are met.

Table 33: WRITE Timing Parameters – Burst WRITE Followed by Burst READ

Symbol	-708		-706/-856		Units
	Min	Max	Min	Max	
t_{CBPH}	5		5		ns
t_{CLK}	12.5	20	15	20	ns
t_{CSP}	4.5	20	5	20	ns

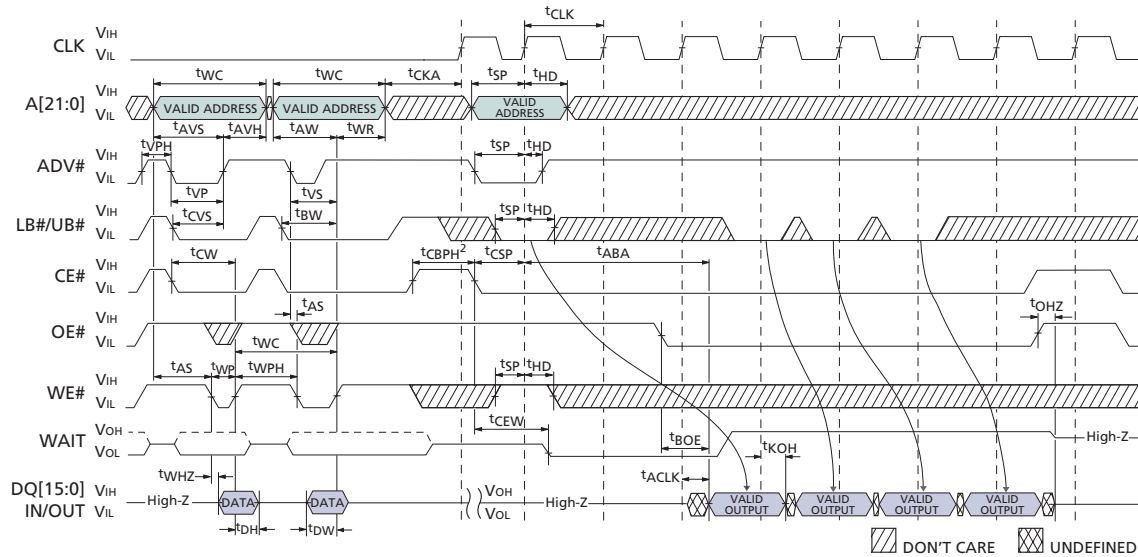
Symbol	-708		-706/-856		Units
	Min	Max	Min	Max	
t_{HD}	2		2		ns
t_{SP}	3		3		ns

Table 34: READ Timing Parameters – Burst WRITE Followed by Burst READ

Symbol	-708		-706/-856		Units
	Min	Max	Min	Max	
t_{ABA}		46.5		56	ns
t_{ACLK}		9		11	ns
t_{BOE}		20		20	ns
t_{CLK}	12.5	20	15	20	ns
t_{CSP}	4.5	20	5	20	ns

Symbol	-708		-706/-856		Units
	Min	Max	Min	Max	
t_{HD}	2		2		ns
t_{KOH}	2		2		ns
t_{OHZ}		8		8	ns
t_{SP}	3		3		ns

Figure 42: Asynchronous WRITE Followed by Burst READ



- Notes:
1. Non-default BCR settings for asynchronous WRITE followed by burst READ: Latency code two (three clocks); WAIT active LOW; WAIT asserted during delay.
 2. When configured for synchronous mode (BCR[15] = 0), a refresh opportunity must be provided every t_{CEM} . A refresh opportunity is satisfied by either of the following two conditions: a) clocked CE# HIGH, or b) CE# HIGH for greater than 15ns. Note that CellularRAM Working Group 1.0 specification requires CE# to be clocked HIGH to terminate the burst.
 3. Clock rates below 50 MHz ($t_{CLK} > 20ns$) are allowed as long as t_{CSP} specifications are met.

Table 35: WRITE Timing Parameters – Async WRITE Followed by Burst READ

Symbol	-70x		-856		Units
	Min	Max	Min	Max	
t_{AS}	0		0		ns
t_{AVH}	5		5		ns
t_{AVS}	10		10		ns
t_{AW}	70		85		ns
t_{BW}	70		85		ns
t_{CKA}	70		85		ns
t_{CVS}	10		10		ns
t_{CW}	70		85		ns
t_{DH}	0		0		ns

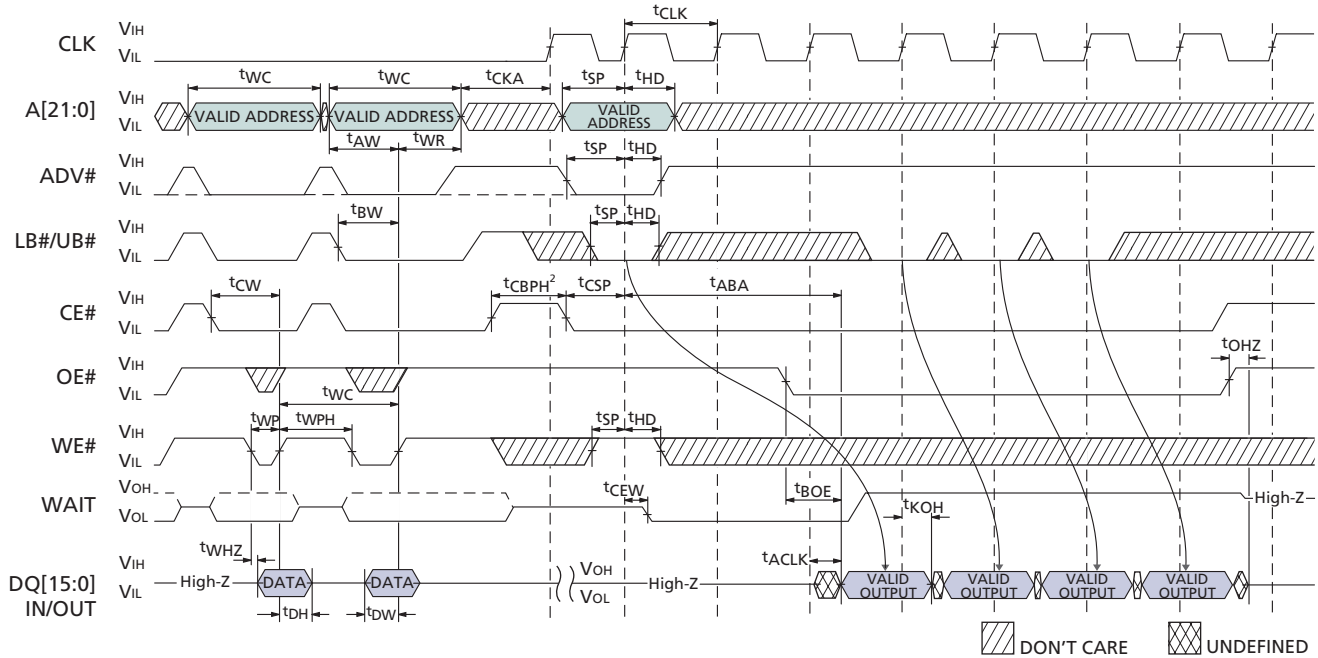
Symbol	-70x		-856		Units
	Min	Max	Min	Max	
t_{DW}	20		23		ns
t_{VP}	10		10		ns
t_{VPH}	10		10		ns
t_{VS}	70		85		ns
t_{WC}	70		85		ns
t_{WHZ}		8		8	ns
t_{WP}	46		55		ns
t_{WPH}	10		10		ns
t_{WR}	0		0		ns

Table 36: READ Timing Parameters – Async WRITE Followed by Burst READ

Symbol	-708		-706/-856		Units
	Min	Max	Min	Max	
t_{ABA}		46.5		56	ns
t_{ACK}		9		11	ns
t_{BOE}		20		20	ns
t_{CBPH}	5		5		ns
t_{CEW}	1	7.5	1	7.5	ns
t_{CLK}	12.5	20	15	20	ns

Symbol	-708		-706/-856		Units
	Min	Max	Min	Max	
t_{CSP}	4.5	20	5	20	ns
t_{HD}	2		2		ns
t_{KOH}	2		2		ns
t_{OHZ}		8		8	ns
t_{SP}	3		3		ns

Figure 43: Asynchronous WRITE Followed By Burst READ – ADV# LOW



- Notes:
1. Non-default BCR settings for asynchronous WRITE followed by burst READ—ADV# LOW: Latency code two (three clocks); WAIT active LOW; WAIT asserted during delay.
 2. When configured for synchronous mode (BCR[15] = 0), a refresh opportunity must be provided every t_{CEM} . A refresh opportunity is satisfied by either of the following two conditions: a) clocked CE# HIGH, or b) CE# HIGH for greater than 15ns. Note that CellularRAM Working Group 1.0 specification requires CE# to be clocked HIGH to terminate the burst.
 3. Clock rates below 50 MHz ($t_{CLK} > 20ns$) are allowed as long as t_{CSP} specifications are met.

Table 37: Asynchronous WRITE Timing Parameters – ADV# LOW

Symbol	-70x		-856		Units
	Min	Max	Min	Max	
t_{AW}	70		85		ns
t_{BW}	70		85		ns
t_{CKA}	70		85		ns
t_{CW}	70		85		ns
t_{DH}	0		0		ns
t_{DW}	23		23		ns

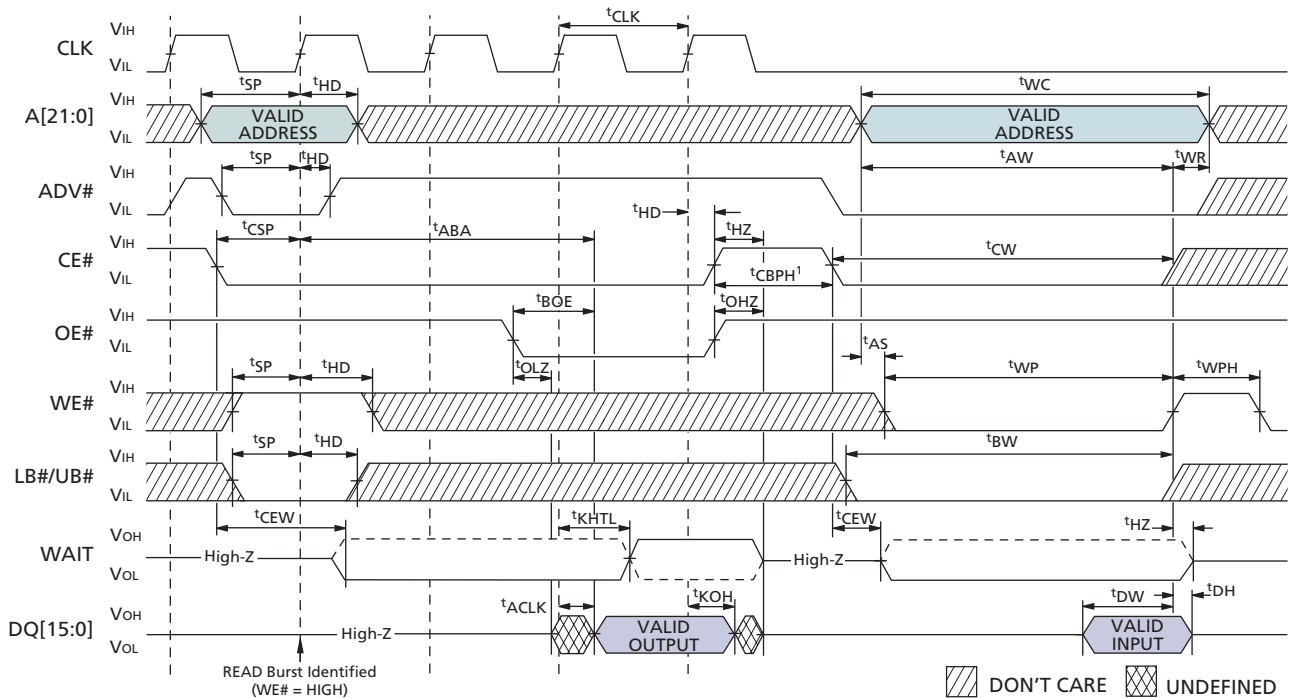
Symbol	-70x		-856		Units
	Min	Max	Min	Max	
t_{WC}	70		85		ns
t_{WHZ}		8		8	ns
t_{WP}	46		55		ns
t_{WPH}	10		10		ns
t_{WR}	0		0		ns

Table 38: Burst READ Timing Parameters

Symbol	-708		-706/-856		Units
	Min	Max	Min	Max	
t_{ABA}		46.5		56	ns
t_{ACLK}		9		11	ns
t_{BOE}		20		20	ns
t_{CBPH}	5		5		ns
t_{CEW}	1	7.5	1	7.5	ns
t_{CLK}	12.5	20	15	20	ns

Symbol	-708		-706/-856		Units
	Min	Max	Min	Max	
t_{CSP}	4.5	20	5	20	ns
t_{HD}	2		2		ns
t_{KOH}	2		2		ns
t_{OHZ}		8		8	ns
t_{SP}	3		3		ns

Figure 44: Burst READ Followed by Asynchronous WRITE (WE#-Controlled)



Notes: 1. When configured for synchronous mode (BCR[15] = 0), a refresh opportunity must be provided every t_{CEM} . A refresh opportunity is satisfied by either of the following two conditions: a) clocked CE# HIGH, or b) CE# HIGH for greater than 15ns. Note that CellularRAM Working Group 1.0 specification requires CE# to be clocked HIGH to terminate the burst.

Table 39: Burst READ Timing Parameters

Symbol	-708		-706/-856		Units
	Min	Max	Min	Max	
t_{ABA}		46.5		56	ns
t_{ACLK}		9		11	ns
t_{BOE}		20		20	ns
t_{CBPH}	5		5		ns
t_{CEW}	1	7.5	1	7.5	ns
t_{CLK}	12.5	20	15	20	ns
t_{CSP}	4.5	20	5	20	ns

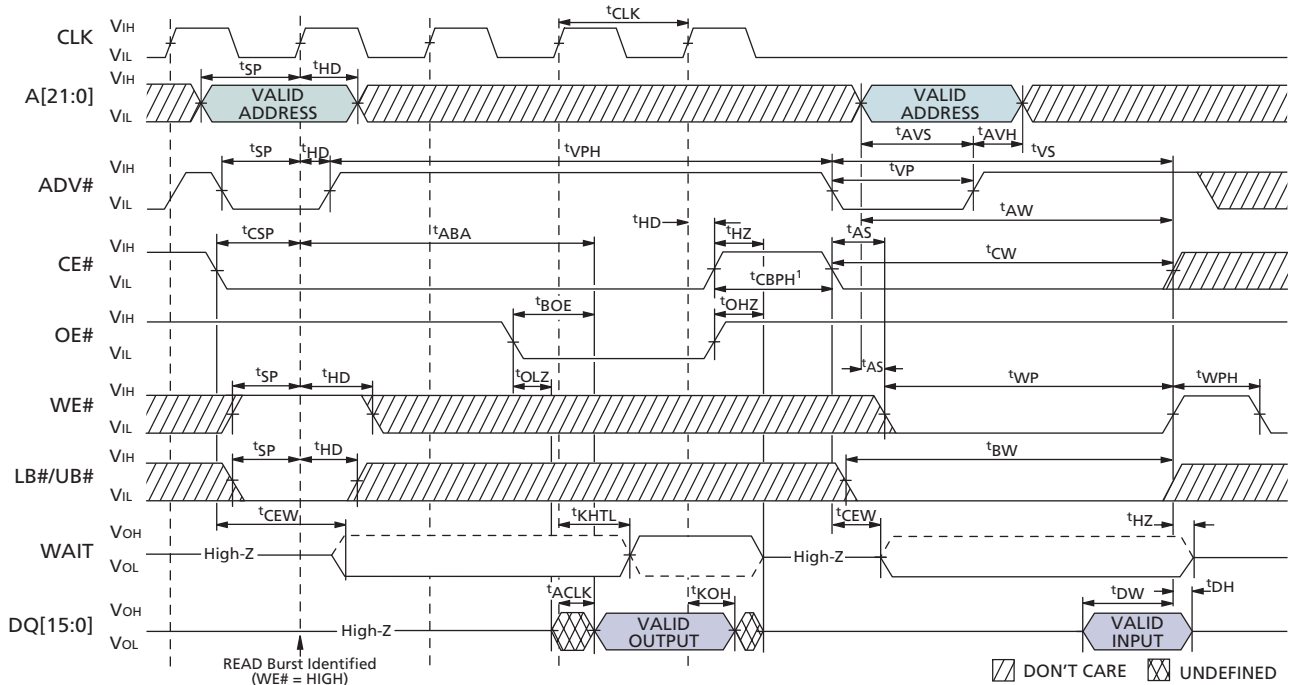
Symbol	-708		-706/-856		Units
	Min	Max	Min	Max	
t_{HD}	2		2		ns
t_{HZ}		8		8	ns
t_{KHTL}		9		11	ns
t_{KOH}	2		2		ns
t_{OHZ}		8		8	ns
t_{SP}	3		3		ns

Table 40: Asynchronous WRITE Timing Parameters – WE#-Controlled

Symbol	-70x		-856		Units
	Min	Max	Min	Max	
t_{AS}	0			0	ns
t_{AW}	70		85		ns
t_{BW}	70		85		ns
t_{CW}	70		85		ns
t_{DH}	0		0		ns
t_{DW}	23		23		ns

Symbol	-70x		-856		Units
	Min	Max	Min	Max	
t_{HZ}		8		8	ns
t_{WC}	70		85		ns
t_{WP}	46		55		ns
t_{WPH}	10		10		ns
t_{WR}	0		0		ns

Figure 45: Burst READ Followed by Asynchronous WRITE Using ADV#



Notes: 1. When configured for synchronous mode (BCR[15] = 0), a refresh opportunity must be provided every t_{CEM} . A refresh opportunity is satisfied by either of the following two conditions: a) clocked CE# HIGH, or b) CE# HIGH for greater than 15ns. Note that CellularRAM Working Group 1.0 specification requires CE# to be clocked HIGH to terminate the burst.

Table 41: Burst READ Timing Parameters

Symbol	-708		-706/-856		Units
	Min	Max	Min	Max	
t_{ABA}		46.5		56	ns
t_{ACLK}		9		11	ns
t_{BOE}		20		20	ns
t_{CBPH}	5		5		ns
t_{CEW}	1	7.5	1	7.5	ns
t_{CLK}	12.5	20	15	20	ns
t_{CSP}	4.5	20	5	20	ns

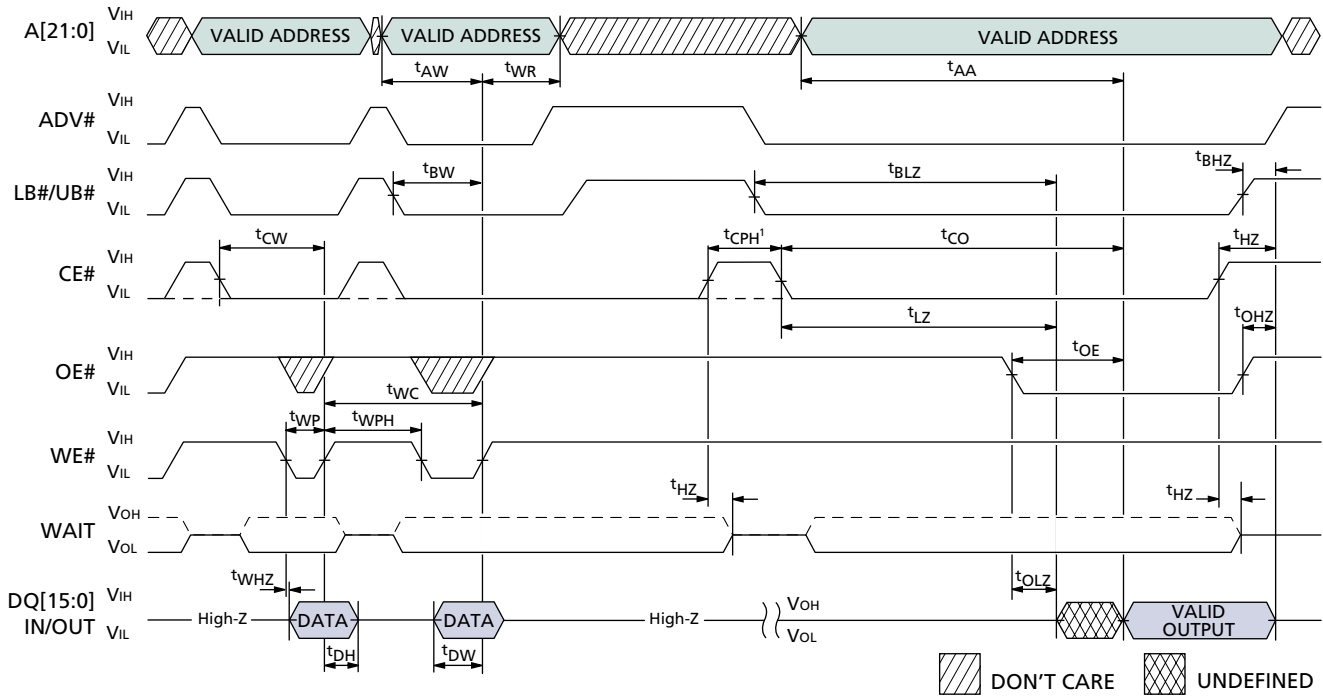
Symbol	-708		-706/-856		Units
	Min	Max	Min	Max	
t_{HD}	2		2		ns
t_{HZ}		8		8	ns
t_{KHTL}		9		11	ns
t_{KOH}	2		2		ns
t_{OHZ}		8		8	ns
t_{SP}	3		3		ns

Table 42: Asynchronous WRITE Timing Parameters Using ADV#

Symbol	-70x		-856		Units
	Min	Max	Min	Max	
t_{AS}	0		0		ns
t_{AVH}	5		5		ns
t_{AVS}	10		10		ns
t_{AW}	70		85		ns
t_{BW}	70		85		ns
t_{CEW}	1	7.5	1	7.5	ns
t_{CW}	70		85		ns
t_{DH}	0		0		ns

Symbol	-70x		-856		Units
	Min	Max	Min	Max	
t_{DW}	23		23		ns
t_{HZ}		8		8	ns
t_{VP}	10		10		ns
t_{VPH}	10		10		ns
t_{VS}	70		85		ns
t_{WP}	46		55		ns
t_{WPH}	10		10		ns

Figure 46: Asynchronous WRITE Followed by Asynchronous READ – ADV# LOW



Notes: 1. When configured for synchronous mode (BCR[15] = 0), CE# must remain HIGH for at least 5ns (t_{CPH}) to schedule the appropriate internal refresh operation. Otherwise, t_{CPH} is only required after CE#-controlled WRITES.

Table 43: WRITE Timing Parameters – ADV# LOW

Symbol	-70x		-856		Units
	Min	Max	Min	Max	
t_{AW}	70		85		ns
t_{BW}	70		85		ns
t_{CPH}	5		5		ns
t_{CW}	70		85		ns
t_{DH}	0		0		ns
t_{DW}	23		23		ns

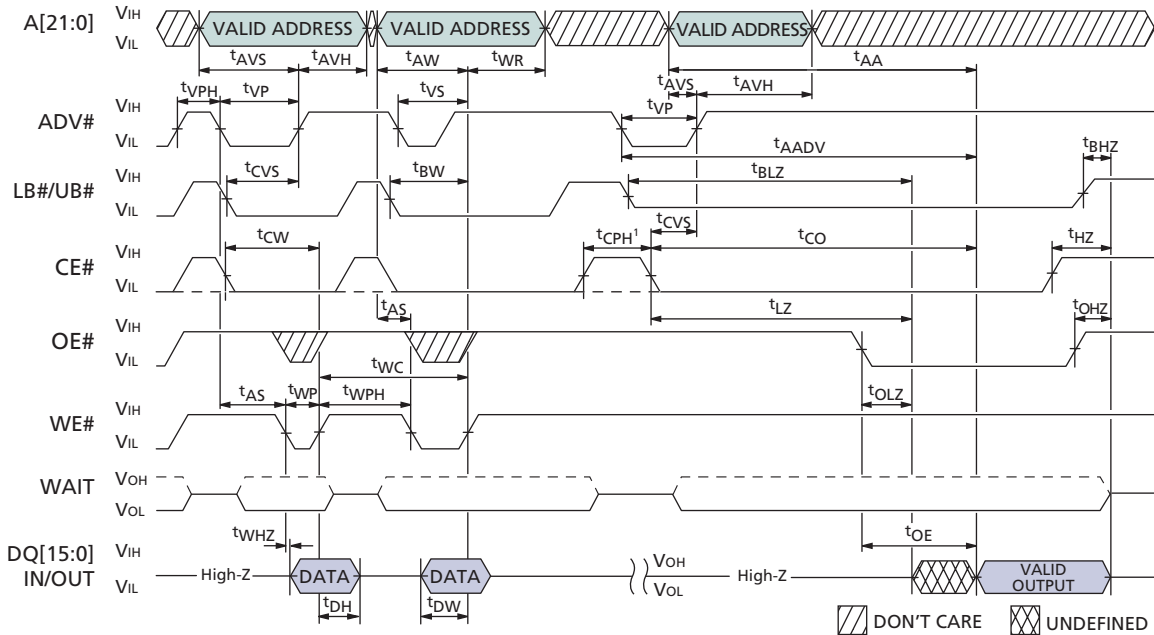
Symbol	-70x		-856		Units
	Min	Max	Min	Max	
t_{HZ}		8		8	ns
t_{WC}	70		85		ns
t_{WHZ}		8		8	ns
t_{WP}	46		55		ns
t_{WPH}	10		10		ns
t_{WR}	0		0		ns

Table 44: READ Timing Parameters – ADV# LOW

Symbol	-70x		-856		Units
	Min	Max	Min	Max	
t_{AA}		70		85	ns
t_{BHZ}		8		8	ns
t_{BLZ}	10		10		ns
t_{CO}		70		85	$v\sigma$
t_{HZ}		8		8	ns

Symbol	-70x		-856		Units
	Min	Max	Min	Max	
t_{LZ}	10		10		ns
t_{OE}		20		20	ns
t_{OHZ}		8		8	ns
t_{OLZ}	5	8	5		ns

Figure 47: Asynchronous WRITE Followed by Asynchronous READ



Notes: 1. When configured for synchronous mode (BCR[15] = 0), CE# must remain HIGH for at least 5ns (t_{CPH}) to schedule the appropriate internal refresh operation. Otherwise, t_{CPH} is only required after CE#-controlled WRITES.

Table 45: WRITE Timing Parameters – Async WRITE Followed by Async READ

Symbol	-70x		-856		Units
	Min	Max	Min	Max	
t_{AS}	0		0		ns
t_{AVH}	5		5		ns
t_{AVS}	10		10		ns
t_{AW}	70		85		ns
t_{BW}	70		85		ns
t_{CBPH}	5		5		ns
t_{CVS}	10		10		ns
t_{CW}	70		85		ns
t_{DH}	0		0		ns

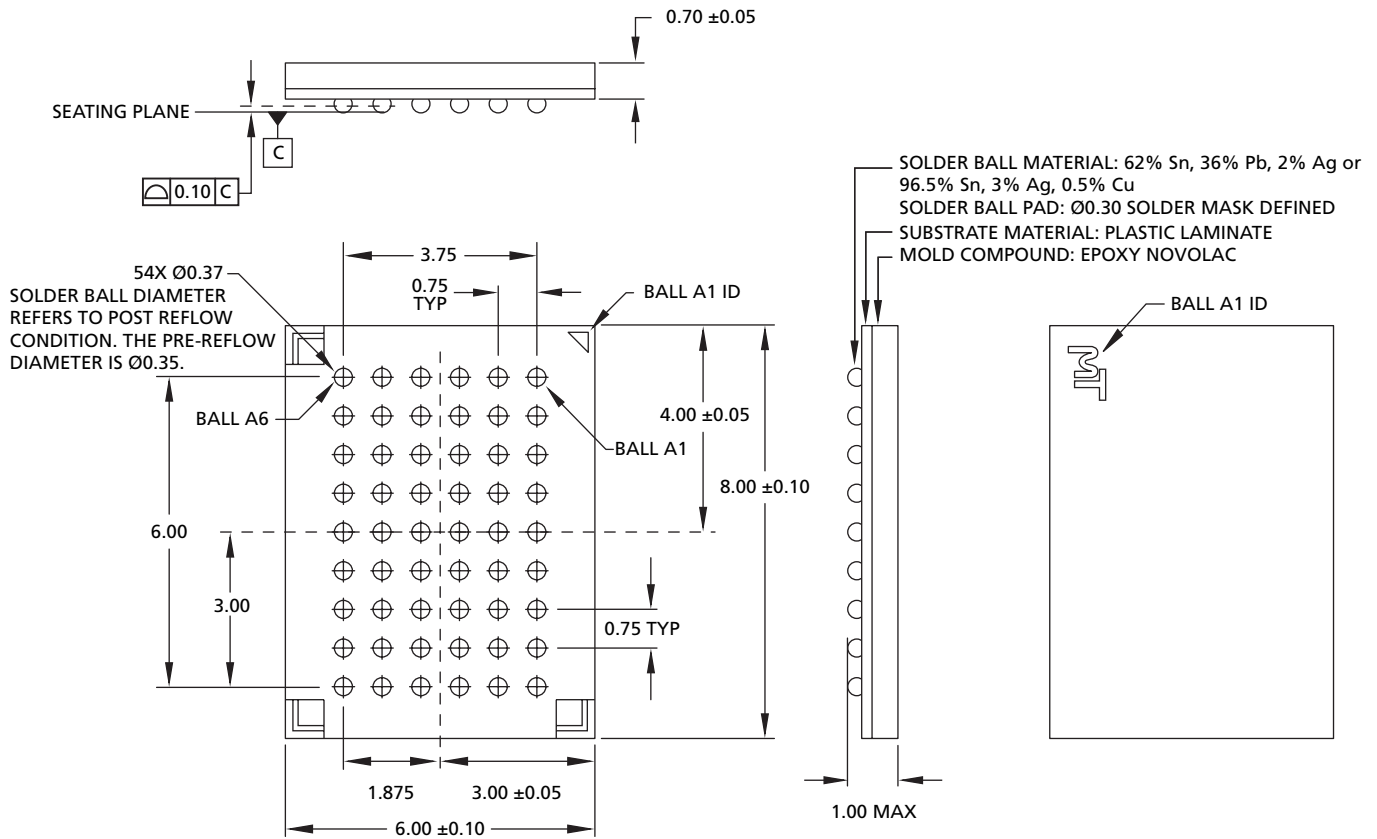
Symbol	-70x		-856		Units
	Min	Max	Min	Max	
t_{DW}	23		23		ns
t_{VP}	10		10		ns
t_{VPH}	10		10		ns
t_{VS}	70		85		ns
t_{WC}	70		85		ns
t_{WHZ}		8		8	ns
t_{WP}	46		55		ns
t_{WPH}	10		10		ns
t_{WR}	0		0		ns

Table 46: READ Timing Parameters – Async WRITE Followed by Async READ

Symbol	-70x		-856		Units
	Min	Max	Min	Max	
t_{AA}		70		85	ns
t_{AADV}		70		85	ns
t_{AVH}	5		5		ns
t_{AVS}	10		10		ns
t_{BHZ}		8		8	ns
t_{BLZ}	10		10		ns
t_{CO}		70		85	vs

Symbol	-70x		-856		Units
	Min	Max	Min	Max	
t_{CVS}	10		10		ns
t_{HZ}		8		8	ns
t_{LZ}	10		10		ns
t_{OE}		20		20	ns
t_{OHZ}		8		8	ns
t_{OLZ}	5		5		ns
t_{VP}	10		10		ns

Figure 48: 54-Ball VFBGA



- Notes: 1. All dimensions in millimeters; MAX/MIN, or typical, as noted.
 2. Package width and length do not include mold protrusion; allowable mold protrusion is 0.25mm per side.



8000 S. Federal Way, P.O. Box 6, Boise, ID 83707-0006, Tel: 208-368-3900

prodmktg@micron.com www.micron.com Customer Comment Line: 800-932-4992

Micron, the M logo, and the Micron logo are trademarks of Micron Technology, Inc. CellularRAM is a trademark of Micron Technology, Inc., inside the U.S. and a trademark of Infineon Technologies outside the U.S.

All other trademarks are the property of their respective owners.

This data sheet contains minimum and maximum limits specified over the complete power supply and temperature range for production devices. Although considered final, these specifications are subject to change, as further product development and data characterization sometimes occur.

Revision History

Rev. G	10/05
<ul style="list-style-type: none"> • Added new P25A-specific note on the first page. 	
Rev. F	04/05
<ul style="list-style-type: none"> • Removed 60ns and 104 MHz support. • Clarified Note 2, clock state on page 7. • Clarified data values in Figure 40 on page 51. • Corrected typographic errors. 	
Rev. E	12/04
<ul style="list-style-type: none"> • Removed all references to 32Mb density. • Added Table 9, Maximum Standby Currents for Applying PAR and TCR Settings, on page 30. • Added Table 10, Maximum Standby Currents for Applying PAR and TCR Settings – Low-Power (L), on page 30. • Added Figure 23, Typical Refresh Current vs. Temperature (I_{tr}), on page 31. • Added “Maximum and Typical Standby Currents” on page 30. 	
Rev. D	09/04
<ul style="list-style-type: none"> • WE# LOW limited to ^tCEM for async WRITES. • Last address changed by software access sequence. • Noted software access third cycle must be CE#-controlled WRITE. • Separated ICC3 for READ and WRITE. • Moved ^tCPH to follow CE#-controlled async WRITE cycles only. • CRE is “Don’t Care” during burst continue. • Clarified TCR temperatures and setting in Table 9. • Changed VccQ to 1.7V–3.3V. • Changed wireless temperature range to -30°C. • Noted input HIGH voltage not aligned with the workgroup specification of VccQ - 0.4. • Noted wireless temp exceeds the workgroup spec. • Clarified WAIT assertion for continuous burst with output delay. • Noted workgroup spec for burst termination compliance. 	
Rev. C, Preliminary	5/04
<ul style="list-style-type: none"> • Added software access. • CR WRITE diagram titles updated to reflect WRITES followed by READ <u>ARRAY</u> operation. • Added 80 MHz burst clock (-708). • Changed PAR options to full, one-half, one-quarter, one-eighth, or none. • Corrected Table 17 typo. • Added Note 3 to Fig. 34 and 40. • Added ^tCO to Fig. 46 and Table 44. • Clarified READ/WRITE operating currents. • Added clarifying notes for required refresh opportunity for BCR[15], depending on BCR setting. • Changed ^tCEM MAX to 8. 	

- Updated ICC values and symbols.
- Added ADV# timing parameters and ^tCO to Fig. 47 and Table 46.
- Clarified CE# LOW time limited by refresh—must not stay LOW longer than ^tCEM.
- Aligned ^tACLK, ^tKHTL, ^tABA, and ^tCSP with Workgroup values.
- Added ^tCEM to Asynchronous WRITE, Page Mode READ Operation, and Burst Mode Operation descriptions and timing diagrams.
- Deleted Appendix A (extended timings and all references).
- Added -708 timing specifications.
- Added C_{IN} and C_{IO} MIN values.
- Clarified burst latency at row-boundary crossings.
- Replaced Abbreviated Component Marks with Part Numbering chart.
- Added measurement time clarification to ISB and IPAR notes.
- Changed ^tCBPH to ^tCPH for async–async transitions.
- Corrected package nomenclature to VFBGA.
- Clarified address A[4] and higher in page mode.
- Clarified CRE in Figure 14.
- Updated ^tKP to 4ns for the -708, and 5ns for -706 and -856 parts.

Rev. B, Preliminary 12/03

- Changed BCR[6] = 0 to “not supported,” and deleted all references to falling clock edges.
- Clarified mixed-mode operation.
- 104MHz part now “contact factory.”
- Changed ^tHD MIN in all speed grades to 2.
- Prohibited DPD via software access sequence.
- Changed ^tCSP (MIN) to 5ns for -706 and -856 in all burst timing tables (18, 20, 25, 26, 27, 28, 34, 36, 37, 39, 41).
- Added “and ADV# LOW” to ^tAS in Async WRITE Timing Req. table; added ^tAS as appropriate in Figures 34, 38, 41, 43, and corollary Tables 38, 44, 48.
- Added Note 6 to Tables 2 and 3 for Standby Mode, and clarified standby description under Low-Power Operation.
- -701 latency code 2 (3 clocks) changed to 66 MHz (15.2ns).

Rev. A, Preliminary 09/03

- Added lead-free option.
- Differentiated standard and low-power standby and related annotation in/for figures and tables.
- CLK in Tables 2 & 3 changed; can be either HIGH or LOW. Data and figures added to cover software access to the configuration registers.
- L, V and -60 now “contact factory.”
- Added V & L options. Modified WAIT in bus operations. Indicated wrap factors.
- Added -706 part information where applicable.
- Removed ^tSP and ^tHD from CE# in Burst diagrams.