

TIMER CIRCUIT

The μ PC1555 is a powerful integrated circuit. Adding a few external parts to it can turn it into various types of timing signal generators, such as monostable and astable multivibrators. It has trigger, threshold, and control pins. Inputting a signal to the reset pin can stop the circuit operation easily. In addition, the output can sink current as high as 200 mA (maximum). So, it can be used to drive relays and lamps.

TYPICAL CHARACTERISTICS

- Supply voltage : 4.5 to 16 V
- Circuit current ($V_{CC} = 5$ V) : 3 mA
- Output current capacity : 200 mA
- Temperature stability : 0.005%/°C
- Rising and falling time : 100 ns

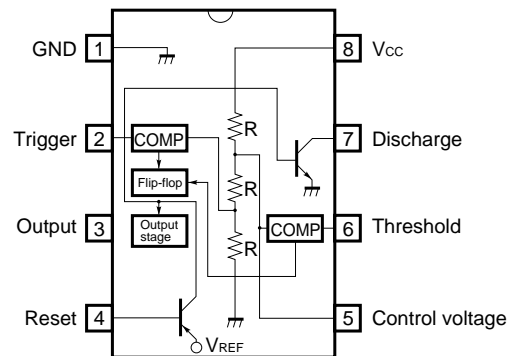
FEATURES

- Monostable and astable oscillation
- Interfacing directly with TTL-level signals
- Variable duty cycle

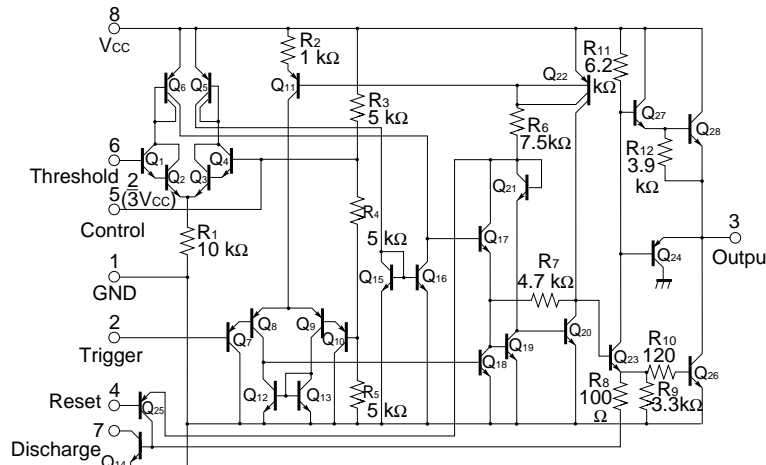
ORDERING INFORMATION

Part number	Package
μ PC1555C	8-pin plastic DIP (300 mil)
μ PC1555G2	8-pin plastic SOP (225 mil)

PIN CONFIGURATION (TOP VIEW)



EQUIVALENT CIRCUIT



ABSOLUTE MAXIMUM RATINGS (T_A = 25°C)

Parameter	Symbol	Rated value		Unit
		μPC1555C	μPC1555G	
Supply voltage	V _{CC}	-0.3 to +18	-0.3 to +18	V
Input voltage (trigger, threshold, reset, control)	V _{IN}	-0.3 to V _{CC} + 0.3	-0.3 to V _{CC} + 0.3	V
Applicable output voltage ^{Note 4} (output and discharge)	V _O	-0.3 to V _{CC} + 0.3	-0.3 to V _{CC} + 0.3	V
Output current	I _O	200 ^{Note 1}	200 ^{Note 1}	mA
Power dissipation	P _T	600 ^{Note 2}	440 ^{Note 3}	mW
Operating temperature	T _A	-20 to +80	-20 to +80	°C
Storage temperature	T _{stg}	-55 to +125	-55 to +125	°C

- Notes**
1. Be sure to use the product within the Power dissipation.
 2. For T_A ≥ 25°C, the total loss is derated at T_{J MAX} = 125°C and -6 mW/°C.
(See the P_T-T_A characteristic curve.)
 3. For T_A ≥ 25°C, the total loss is derated at T_{J MAX} = 125°C and -4.4 mW/°C.
(See the P_T-T_A characteristic curve.)
 4. This is an external voltage that can be applied to the output pin without deteriorating the quality of the product or causing damage to the product.
Be sure to use the product within the rated value under any conditions where coils are inserted or power is turned on or off. The output voltage that can be obtained during normal operation is within the output saturation voltage range.

RECOMMENDED OPERATING CONDITIONS (T_A = 25°C)

Parameter	Symbol	Conditions	MIN.	MAX.	Unit
Supply voltage	V _{CC}		4.5	16	V
Oscillation frequency	f	V _{CC} = 5 to 15 V	0.1	100 k	Hz
Output pulse width	t _{w (OUT)}	V _{CC} = 5 to 15 V	10 μ	10	Sec
Input voltage (trigger, threshold)	V _{IN}		0	V _{CC}	V
Input voltage ^{Note 5} (control)	V _{IN}		3.0	V _{CC} · 1.5	V
Reset voltage (high level)	V _{reset H}	V _{CC} = 5 to 15 V	1.0	V _{CC}	V
Reset voltage (low level)	V _{reset L}	V _{CC} = 5 to 15 V	0	0.4	V

Note 5. This parameter defines the voltage that can be applied when a PWM mode application circuit is configured by applying an external voltage to the control pin. Usually, a capacitance of 0.01 μF is connected as shown in the application circuit.

ELECTRICAL CHARACTERISTICS (T_A = 25°C, V_{CC} = 5 to 15 V)

Parameter	Symbol	Conditions	MIN.	TYP.	MAX.	Unit
Supply voltage	V _{CC}		4.5		16	V
Supply current	I _{CC}	V _{CC} = 5 V, R _L = ∞, V _O = "L" Note 6	0	3	6	mA
		V _{CC} = 15 V, R _L = ∞, V _O = "L" Note 6	0	10	15	mA
Threshold voltage	V _{th}			2/3 V _{CC}		V
Threshold current	I _{th}	Note 7	0	0.1	0.25	μA
Trigger voltage	V _{tr}	V _{CC} = 15 V		5		V
		V _{CC} = 5 V		1.67		V
Trigger current	I _{tr}			0.5		μA
Reset voltage	V _{reset}	Note 8	0.4	0.7	1.0	V
Reset current	I _{reset}			0.1		mA
Control voltage	V _{cont}	V _{CC} = 15 V	9.0	10	11	V
		V _{CC} = 5 V	2.6	3.33	4	V
Output saturation voltage "L"	V _{OL}	V _{CC} = 15 V, I _{SINK} = 10 mA	0	0.1	0.25	V
		V _{CC} = 15 V, I _{SINK} = 50 mA	0	0.4	0.75	V
		V _{CC} = 15 V, I _{SINK} = 100 mA	0	2.0	2.5	V
		V _{CC} = 15 V, I _{SINK} = 200 mA		2.5		V
		V _{CC} = 5 V, I _{SINK} = 5 mA	0	0.1	0.35	V
Output saturation voltage "H"	V _{OH}	V _{CC} = 15 V, I _{SOURCE} = 200 mA		12.5		V
		V _{CC} = 15 V, I _{SOURCE} = 100 mA	12.75	13.3	15.0	V
		V _{CC} = 5 V, I _{SOURCE} = 100 mA	2.75	3.3	5.0	V
Propagation delay (L → H)	t _{PLH}			200		ns
Propagation delay (H → L)	t _{PHL}			200		ns
Minimum trigger pulse width	t _{w (tr)}	V _{CC} = 15 V, V _{tr min.} = 2.5 V		25		ns
Minimum output pulse width	t _{w (OUT)}	V _{CC} = 15 V, V _{tr min.} = 2.5 V t _{w (tr)} = 3 μs		6		μs
Minimum reset pulse width	t _{w (reset)}	V _{CC} = 15 V, V _{tr min.} = 0 V		900		ns
Timing error		Astable multivibrator				
Initial accuracy		R _A , R _B = 1 to 100 kΩ		1		%
Temperature drift		C = 0.1 μF		50		ppm/°C
Supply voltage drift				0.01		%/V

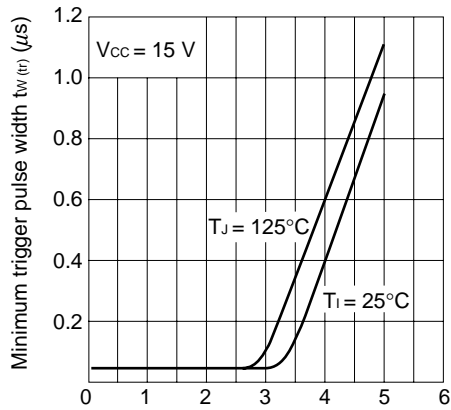
Notes 6. When the output is "H", the circuit current decreases by approximately 1 mA (when V_{CC} = 5 V).

7. The maximum allowable value for R_A + R_B is determined for a supply voltage of 15 V. The maximum value is 20 MΩ.

8. When the reset pin is driven to a low level, discharge T_rQ₁₄ is turned on, stopping oscillation (the output state is undefined).

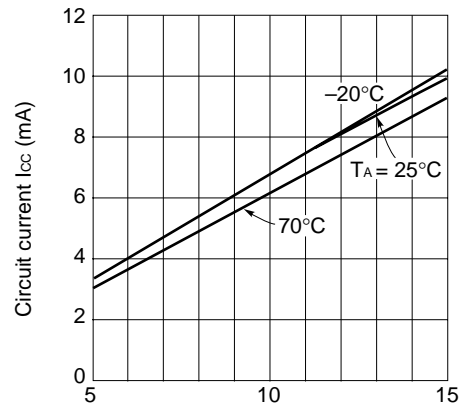
CHARACTERISTIC CURVES (T_A = 25°C, TYP.)

Minimum trigger pulse width characteristic



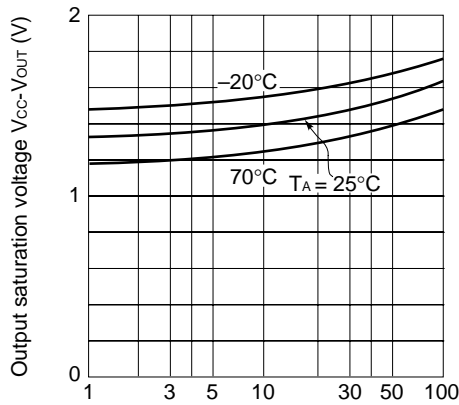
Minimum trigger pulse voltage $V_{tr min.}$ (V)

I_{CC}-V_{CC} characteristic



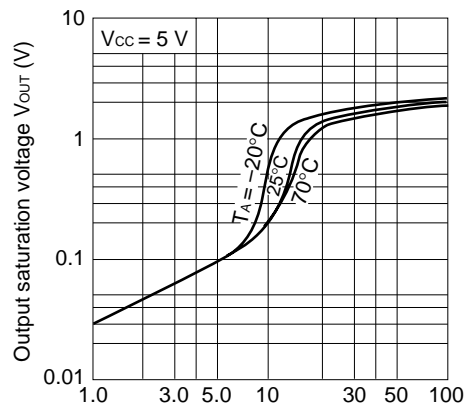
Supply voltage V_{CC} (V)

I_{SOURCE}-(V_{CC}-V_{OUT}) characteristic



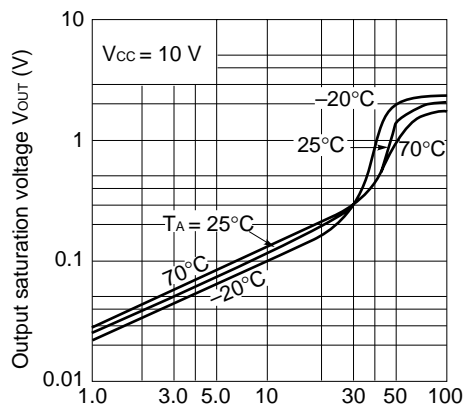
Output source current I_{SOURCE} (mA)

I_{SINK}-V_{OUT} characteristic



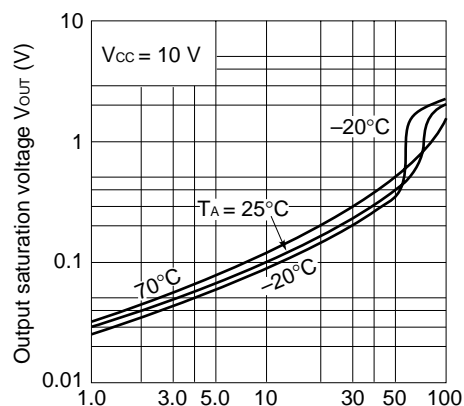
Output sink current I_{SINK} (mA)

I_{SINK}-V_{OUT} characteristic



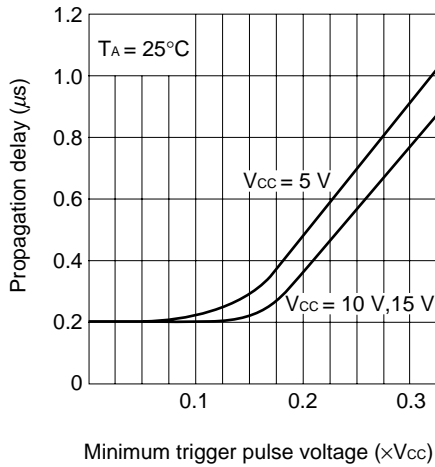
Output sink current I_{SINK} (mA)

I_{SINK}-V_{OUT} characteristic

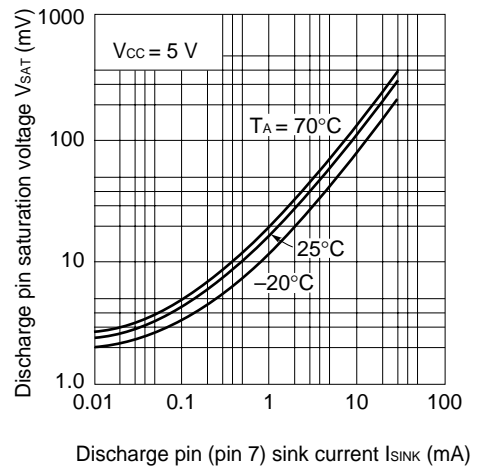


Output sink current I_{SINK} (mA)

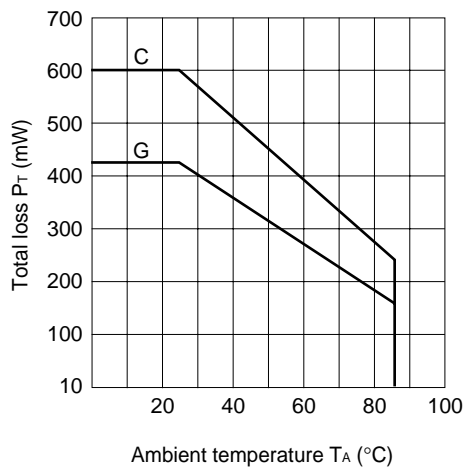
Propagation delay characteristic



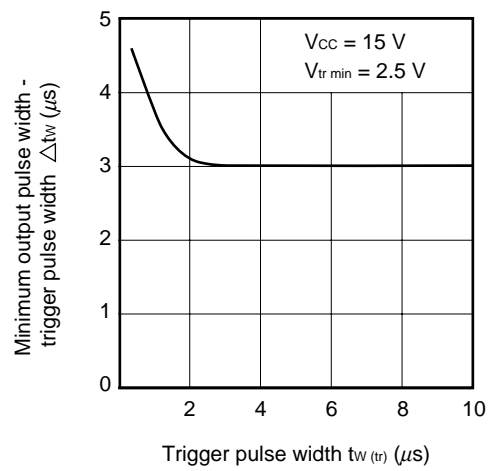
Discharge pin I_{SINK} - V_{SAT} characteristic



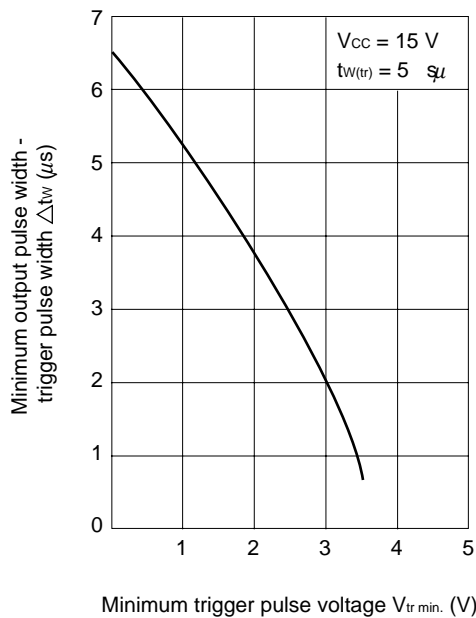
P_T - T_A characteristic



Δtw - t_w (t_r) characteristic



Δtw - $t_{tr\ min}$ characteristic



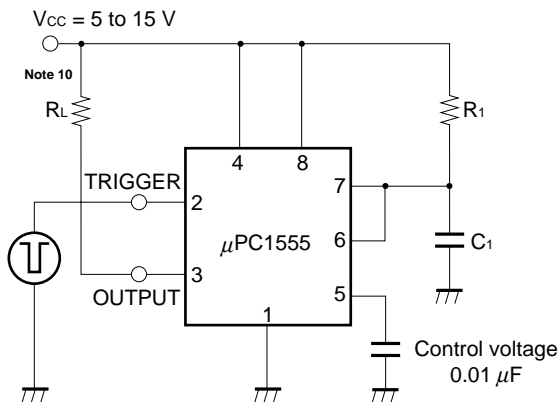
PIN FUNCTIONS

1. Trigger pin (pin 2) : Supplying one-third of V_{CC} to the trigger pin triggers the circuit, changing the output voltage from low to high.
2. Output pin (pin 3) : The maximum output current is 200 mA. Be careful not to exceed the total loss (see the P_T-T_A characteristic curve).
3. Reset pin (pin 4) : Supplying 0.4 V or less to the reset pin stops the circuit operation (such as monostable or astable multivibrator operation).
When not used, the reset pin should be clamped at 1 V to V_{CC} .
4. Control voltage (pin 5) : This voltage determines the threshold level of the comparator. It is set to two-thirds of V_{CC} . It is possible to configure a PWM (pulse width modulation) or PPM (pulse position modulation) mode application circuit by supplying a control voltage from the outside. When this pin is not in use, it should be bypassed using a capacitor of approximately 0.01 μ F for more stable circuit operation.
5. Threshold pin (pin 6) : The values of an external capacitor (C) and resistor (R) connected to this pin determine the width of the output pulse.
6. Discharge pin (pin 7) : This pin is used to discharge an external capacitor (if connected). It operates, when the internal flip-flop circuit is turned on, or a reset signal is applied.

APPLICATION CIRCUITS

(1) Monostable multivibrator

Fig. a Monostable Multivibrator Example



When the μPC1555 is configured as shown in Fig. a, it functions as a monostable multivibrator. Applying a voltage one-third as high as Vcc or less (trigger pulse^{Note 9}) to pin 2 (trigger pin) drives the output to a high level. Under this condition, capacitor C₁ starts charging through resistor R₁. When C₁ is charged up to two-thirds as high as Vcc, pin 6 (threshold pin) is turned on and inverted to a low level. At this point, C₁ starts discharging through pin 7. When a trigger pulse is applied to pin 2 again, the same operation is repeated. Fig. b shows this operation. A capacitor connected to pin 5 functions as a nose filter for the control voltage. If pin 4 (reset pin) is connected to 1 V or higher (for example, by being connected to Vcc), the circuit operation can be stopped by switching it from 2 V or higher to a GND level.

The output pulse width (delay) is determined theoretically by (see Fig. c):

$$t = 1.1 \cdot C_1 \cdot R_1$$

The value obtained by this equation is only an approximate value, however. If it is necessary to obtain an accurate output pulse width, determine R₁ and C₁ through actual measurement and confirmation; a trimmer should be used as required. Moreover, R₁ should be 300 Ω or higher.

- Notes**
- 9. Keep the trigger pulse width smaller than the output pulse width.
 - 10. If the load is connected across the output and GND pins, a “staircase” occurs in the output waveform.

The application circuits and their parameters are for references only and are not intended for use in actual design-in's.

Fig. b Monostable Response Waveform

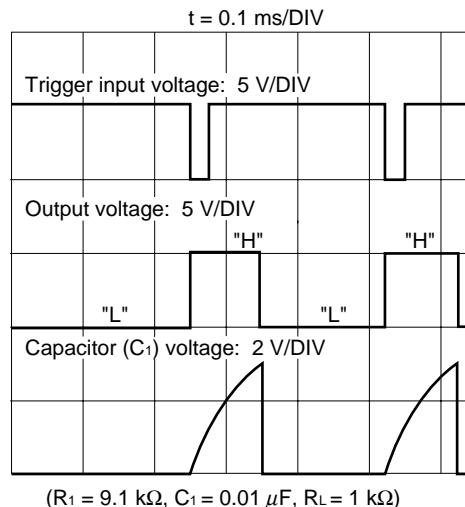
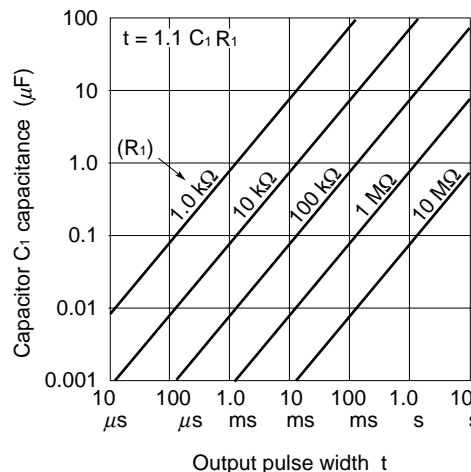
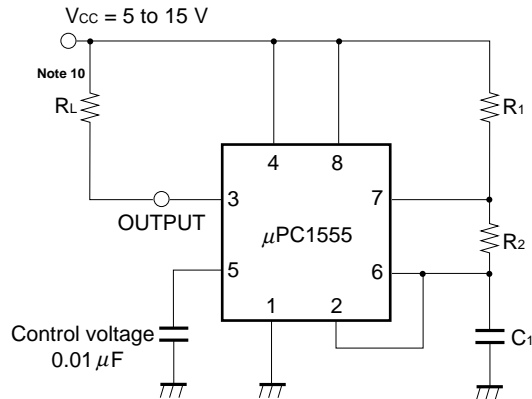


Fig. c Interrelationships among Output Pulse Width, R₁, and C₁ (approximate value obtained by calculation)



(2) Astable multivibrator example

Fig. d Astable Multivibrator Example



When the μPC1555 is used in a circuit configuration shown in Fig. d, the circuit is triggered by itself to operate as an astable multivibrator, because pin 2 (trigger pin) and pin 6 (threshold pin) are connected to each other. When the output voltage is high, capacitor C1 is charged through R1 and R2. When C1 is charged up to a voltage two-thirds as high as Vcc, the threshold pin is turned on, and the output pin becomes low. At this point C1 starts discharging through R2. When C1 discharges, and the voltage across C1 decreases to a voltage one-third as high as Vcc, the trigger pin is turned on, and the output voltage becomes high, causing the charge current to flow into C1 through R1 and R2 again. This operation is shown in Fig. e. Because C1 repeats charging and discharging between one-third as high as Vcc and two-thirds as high as Vcc, the oscillation frequency is not affected by the supply voltage.

Oscillation is represented theoretically using the following expressions.

When the output voltage is high, the charge time is : $t_1 = 0.693 (R_1 + R_2) C_1$ (1)

When the output voltage is low, the discharge time is : $t_2 = 0.693 \cdot R_2 \cdot C_1$ (2)

Adding expressions (1) and (2) determines period T : $T = t_1 + t_2 = 0.693 (R_1 + 2R_2) C_1$ (3)

Therefore, the oscillation frequency is

(see Fig. f for reference)

$$f = \frac{1}{T} = \frac{1.44}{(R_1 + 2R_2) C_1} \text{ (4)}$$

The duty cycle is determined by the equation (5)

$$D = \frac{R_2}{R_1 + 2R_2} \text{ (5)}$$

The values obtained this way are approximate values, however. If it is necessary to obtain an accurate oscillation frequency, determine R1, R2, and C1 through actual measurement and confirmation; a trimmer should be used as required. Moreover, R1 and R2 should be 300 Ω or higher.

Fig. e Astable Multivibrator Response Waveform

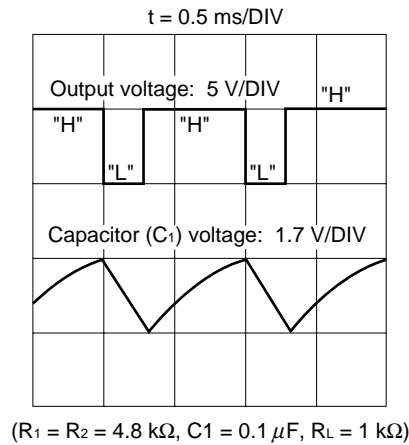
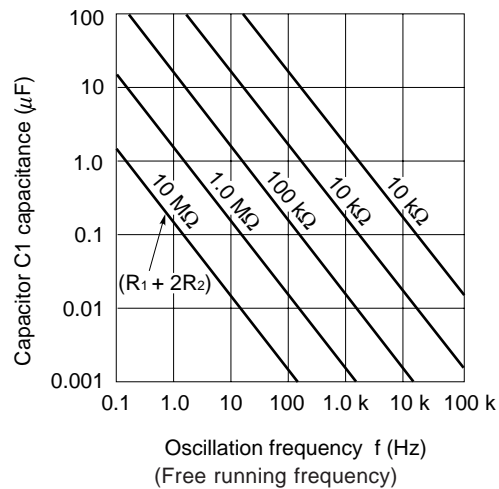
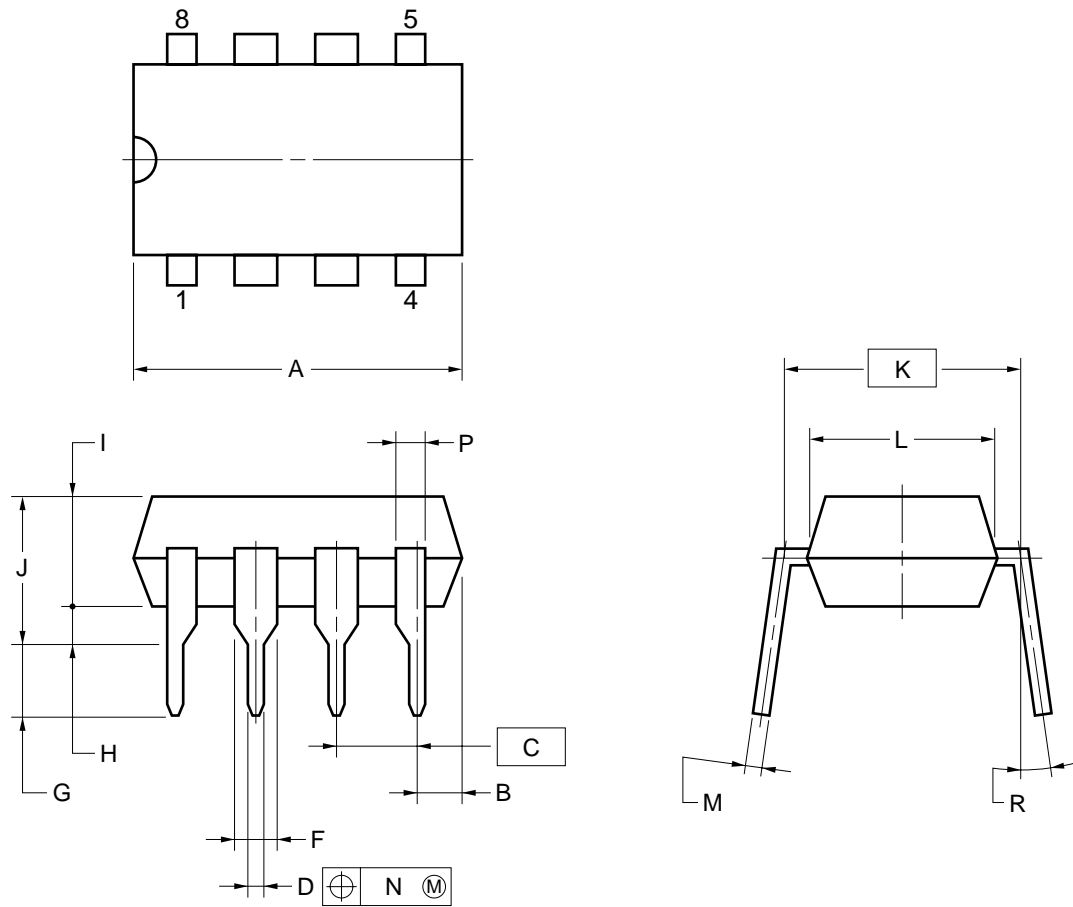


Fig. f Interrelationships among Oscillation Frequency, R1, R2, and C1 (approximate value obtained by calculation)



Note 10. If the load is connected across the output and GND pins, a “staircase” occurs in the output waveform.

8PIN PLASTIC DIP (300 mil)



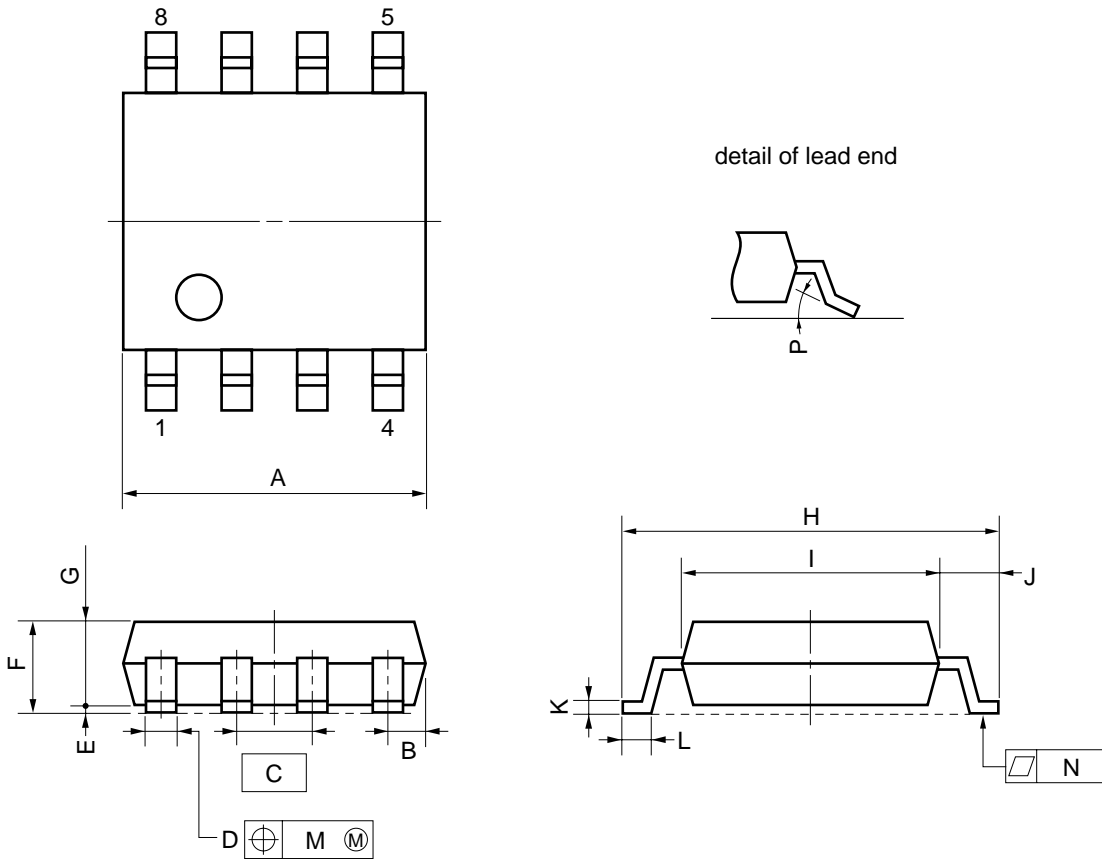
NOTES

- 1) Each lead centerline is located within 0.25 mm (0.01 inch) of its true position (T.P.) at maximum material condition.
- 2) Item "K" to center of leads when formed parallel.

ITEM	MILLIMETERS	INCHES
A	10.16 MAX.	0.400 MAX.
B	1.27 MAX.	0.050 MAX.
C	2.54 (T.P.)	0.100 (T.P.)
D	0.50±0.10	0.020 ^{+0.004} _{-0.005}
F	1.4 MIN.	0.055 MIN.
G	3.2±0.3	0.126±0.012
H	0.51 MIN.	0.020 MIN.
I	4.31 MAX.	0.170 MAX.
J	5.08 MAX.	0.200 MAX.
K	7.62 (T.P.)	0.300 (T.P.)
L	6.4	0.252
M	0.25 ^{+0.10} _{-0.05}	0.010 ^{+0.004} _{-0.003}
N	0.25	0.01
P	0.9 MIN.	0.035 MIN.
R	0-15°	0-15°

P8C-100-300B,C-1

8 PIN PLASTIC SOP (225 mil)



NOTE
 Each lead centerline is located within 0.12 mm (0.005 inch) of its true position (T.P.) at maximum material condition.

ITEM	MILLIMETERS	INCHES
A	5.37 MAX.	0.212 MAX.
B	0.78 MAX.	0.031 MAX.
C	1.27 (T.P.)	0.050 (T.P.)
D	0.40 ^{+0.10} _{-0.05}	0.016 ^{+0.004} _{-0.003}
E	0.1±0.1	0.004±0.004
F	1.8 MAX.	0.071 MAX.
G	1.49	0.059
H	6.5±0.3	0.256±0.012
I	4.4	0.173
J	1.1	0.043
K	0.15 ^{+0.10} _{-0.05}	0.006 ^{+0.004} _{-0.002}
L	0.6±0.2	0.024 ^{+0.008} _{-0.009}
M	0.12	0.005
N	0.10	0.004
P	3° ^{+7°} _{-3°}	3° ^{+7°} _{-3°}

S8GM-50-225B-4

RECOMMENDED SOLDERING CONDITIONS

The conditions listed below shall be met when soldering the μPC1555.

Please consult with our sales offices in case any other soldering process is used, or in case soldering is done under different conditions.

Surface-Mount Devices

For details of the recommended soldering conditions, refer to our document *SMD Surface Mount Technology Manual* (IEI-1207).

μPC1555G2

Soldering process	Soldering conditions	Symbol
Infrared reflow	Peak package's surface temperature: 230°C Reflow time: 30 seconds or less (at 210°C or more) Maximum allowable number of reflow processes: 1 Exposure limit: None Note	IR30-00
VPS	Peak package's surface temperature: 215°C Reflow time: 40 seconds or less (at 200°C or more) Maximum allowable number of reflow processes: 1 Exposure limit: None Note	VP15-00
Wave soldering	Temperature in the soldering vessel: 260°C or less Soldering time: 10 seconds or less Maximum allowable number of reflow processes: 1 Exposure limit: None Note	WS60-00
Partial heating method	Pin temperature: 300°C or less Flow time: 10 seconds or less Exposure limit: None Note	

Note Exposure limit before soldering after dry-pack package is opened.

Storage conditions: Temperature of 25°C or less and maximum relative humidity of 65% or less

Caution Do not apply more than a single process at once, except for "Partial heating method."

Through-Hole Mount Devices

μPC1555C

Soldering process	Soldering conditions
Wave soldering	Temperature in the soldering vessel: 260°C or less Soldering time: 10 seconds or less

REFERENCE

Document name	Document No.
NEC Semiconductor Device Reliability/Quality Control System	IEI-1212
Quality Grade on NEC Semiconductor Devices	IEI-1209
Semiconductor Device Mounting Technology Manual	IEI-1207
Semiconductor Device Package Manual	IEI-1213
Guide to Quality Assurance for Semiconductor Devices	MEI-1202
Semiconductor Selection Guide	MF-1134

[MEMO]

No part of this document may be copied or reproduced in any form or by any means without the prior written consent of NEC Corporation. NEC Corporation assumes no responsibility for any errors which may appear in this document.

NEC Corporation does not assume any liability for infringement of patents, copyrights or other intellectual property rights of third parties by or arising from use of a device described herein or any other liability arising from use of such device. No license, either express, implied or otherwise, is granted under any patents, copyrights or other intellectual property rights of NEC Corporation or others.

While NEC Corporation has been making continuous effort to enhance the reliability of its semiconductor devices, the possibility of defects cannot be eliminated entirely. To minimize risks of damage or injury to persons or property arising from a defect in an NEC semiconductor device, customer must incorporate sufficient safety measures in its design, such as redundancy, fire-containment, and anti-failure features.

NEC devices are classified into the following three quality grades:

“Standard”, “Special”, and “Specific”. The Specific quality grade applies only to devices developed based on a customer designated “quality assurance program” for a specific application. The recommended applications of a device depend on its quality grade, as indicated below. Customers must check the quality grade of each device before using it in a particular application.

Standard: Computers, office equipment, communications equipment, test and measurement equipment, audio and visual equipment, home electronic appliances, machine tools, personal electronic equipment and industrial robots

Special: Transportation equipment (automobiles, trains, ships, etc.), traffic control systems, anti-disaster systems, anti-crime systems, safety equipment and medical equipment (not specifically designed for life support)

Specific: Aircrafts, aerospace equipment, submersible repeaters, nuclear reactor control systems, life support systems or medical equipment for life support, etc.

The quality grade of NEC devices in “Standard” unless otherwise specified in NEC's Data Sheets or Data Books. If customers intend to use NEC devices for applications other than those specified for Standard quality grade, they should contact NEC Sales Representative in advance.

Anti-radioactive design is not implemented in this product.