



- Interface relay **PI6-OC** - with transistor output, rated load 0,5 A / 70 V DC
- 35 mm rail mount acc. to PN-EN 60715
- May be linked with interconnection strip type **ZG20**
- Equipped in LED green
- Recognitions, certifications, directives: **CE** **PCF**



Output circuit - Transistor

Number and type of outputs		1 NO
Rated / max. switching voltage	DC	70 V / 70 V
Min. switching voltage	DC	5 V
Rated load	DC1	0,5 A / 70 V DC
Min. switching current		1 mA
Rated current		0,5 A

Input control circuit

Rated voltage	DC	5...32 V	
	AC: 50/60 Hz AC/DC	24-230 V	
Turn-off voltage		AC: $\geq 0,2 U_n$ DC: $\geq 0,1 U_n$	
Rated power consumption	DC	0,3 W	5...32 V DC at 24 V
	AC/DC	0,3 VA / 0,3 W	24 V AC/DC
	AC/DC	1,0 VA / 1,0 W	230 V AC/DC

Insulation according to PN-EN 60664-1

Insulation rated voltage		600 V AC
Insulation pollution degree		2
Dielectric strength	• input - output	3 000 V AC 50/60 Hz, 1 min., type of insulation: reinforced

General data

Max. switching frequency		10 kHz	5...32 V DC (for load up to 24 V DC: 15 kHz)
Dimensions (L x W x H)		93,8 x 6,2 x 80 mm	
Weight		40 g	
Ambient temperature	• storage	-40...+70 °C	
	• operating	-40...+55 °C	
Protection category		IP 20	PN-EN 60529
Environmental protection		RTI	PN-EN 116000-3

EUROPRODUCT 2003
for interface relays **PI6**

Gold medal
AUTOMATICON 2004
for interface relays **PI6**

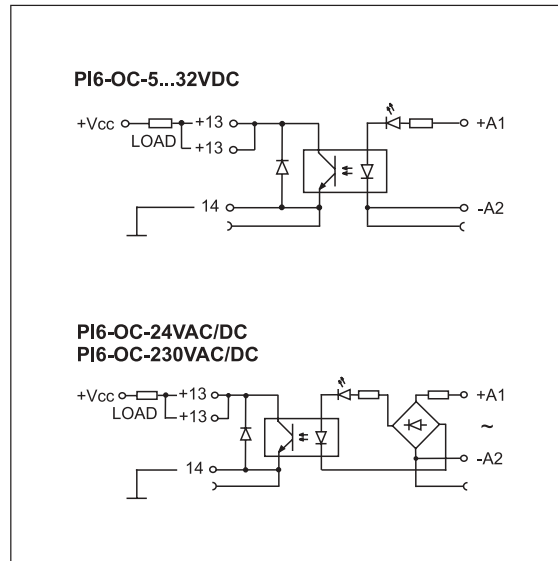


Input data

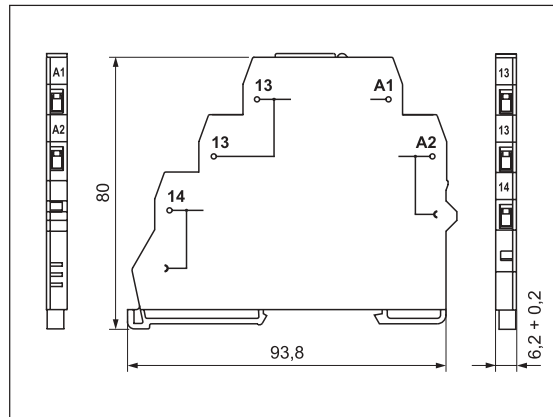
Table 1

Interface relay code	Rated input voltage U_n	Power of input control circuit
PI6-OC-5...32VDC	5...32 V DC	0,3 W at 24 V
PI6-OC-24VAC/DC	24 V AC/DC	0,3 VA / 0,3 W
PI6-OC-230VAC/DC	230 V AC/DC	1,0 VA / 1,0 W

Connections diagrams



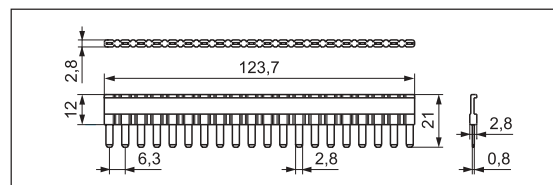
Dimensions



Mounting

Relays **PI6-OC** are designed for direct mounting on 35 mm rail mount acc. to PN-EN 60715. Maximum size of wires $1 \times 2,5 \text{ mm}^2$ (1 x 14 AWG). Rated contactability $2 \times 1,5 \text{ mm}^2$ (2 x 16 AWG). Maximum screw torque: 0,3 Nm.

PI6-OC may be linked with interconnection strip type **ZG20**. Strip **ZG20** bridges common input or output signals, maximum permissible current is 36 A / 250 V AC. Colours of strips: **ZG20-1** red, **ZG20-2** black, **ZG20-3** blue.

Interconnection strip type **ZG20**

Ordering codes

Ordering codes **PI6-OC** are specified in Table 1, "Interface relay code" column.