





- Interface relay **PI6-1T** - with triac output, rated load 1,2 A / 400 V AC
- 35 mm rail mount acc. to PN-EN 60715
- May be linked with interconnection strip type **ZG20**
- Equipped in LED green
- Recognitions, certifications, directives:  



### Output circuit - Triac

Number and type of outputs		1 NO
Rated / max. switching voltage	AC	400 V / 440 V
Min. switching voltage	AC	20 V
Rated load	AC1	1,2 A / 400 V AC
Min. switching current		10 mA
Max. non-repeat surge current		30 A $t=20$ ms
Rated current		1,2 A
I <sup>2</sup> t for fusing		5,1 A <sup>2</sup> s $t=1-10$ ms
dI/dt		50 A/ $\mu$ s
dV/dt		40 V/ $\mu$ s
R <sub>th</sub> junction to ambient		70 °C/W

### Input control circuit

Rated voltage	DC	5...32 V
	AC: 50/60 Hz AC/DC	24-230 V
Turn-off voltage		AC: $\geq 0,2 U_n$ DC: $\geq 0,1 U_n$
Rated power consumption	DC	0,3 W
	AC/DC	0,3 VA / 0,3 W
	AC/DC	1,6 VA / 1,6 W
		5...32 V DC at 24 V
		24 V AC/DC
		230 V AC/DC

### Insulation according to PN-EN 60664-1

Insulation rated voltage		600 V AC
Insulation pollution degree		2
Dielectric strength	• input - output	4 000 V AC 50/60 Hz, 1 min., type of insulation: reinforced

### General data

Operating time		10 ms	max. (zero turn-on)
Release time		10 ms	max.
Dimensions (L x W x H)		93,8 x 6,2 x 80 mm	
Weight		40 g	
Ambient temperature	• storage	-40...+70 °C	
	• operating	-40...+55 °C	
Protection category		IP 20	PN-EN 60529
Environmental protection		RTI	PN-EN 116000-3

**EUROPRODUCT 2003**  
for interface relays **PI6**

**Gold medal**  
**AUTOMATICON 2004**  
for interface relays **PI6**

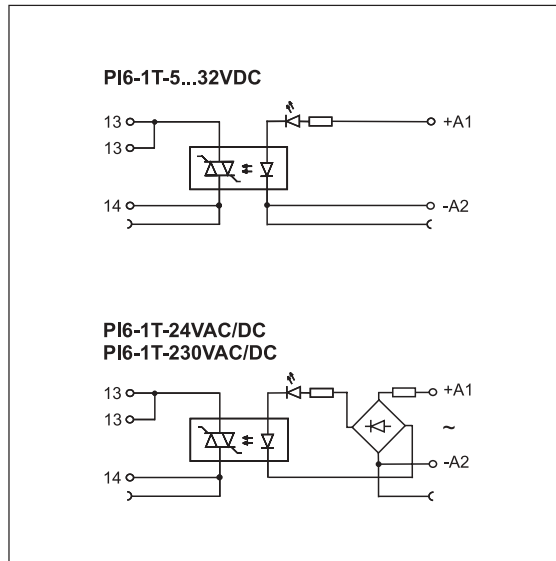


## Input data

Table 1

Interface relay code	Rated input voltage $U_n$	Power of input control circuit
PI6-1T-5...32VDC	5...32 V DC	0,3 W at 24 V
PI6-1T-24VAC/DC	24 V AC/DC	0,3 VA / 0,3 W
PI6-1T-230VAC/DC	230 V AC/DC	1,6 VA / 1,6 W

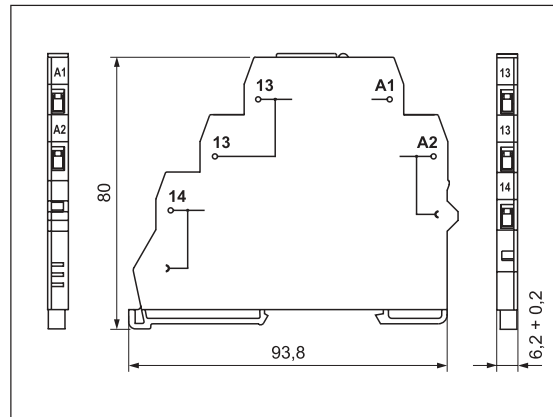
## Connections diagrams



## Ordering codes

Ordering codes **PI6-1T** are specified in Table 1, "Interface relay code" column.

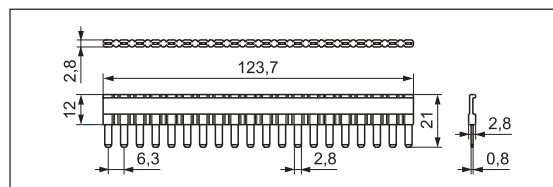
## Dimensions



## Mounting

Relays **PI6-1T** are designed for direct mounting on 35 mm rail mount acc. to PN-EN 60715. Maximum size of wires  $1 \times 2,5 \text{ mm}^2$  (1 x 14 AWG). Rated contactability  $2 \times 1,5 \text{ mm}^2$  (2 x 16 AWG). Maximum screw torque: 0,3 Nm.

**PI6-1T** may be linked with interconnection strip type **ZG20**. Strip **ZG20** bridges common input or output signals, maximum permissible current is 36 A / 250 V AC. Colours of strips: **ZG20-1** red, **ZG20-2** black, **ZG20-3** blue.

Interconnection strip type **ZG20**