

TOSHIBA BIPOLAR LINEAR INTEGRATED CIRCUIT MULTI-CHIP

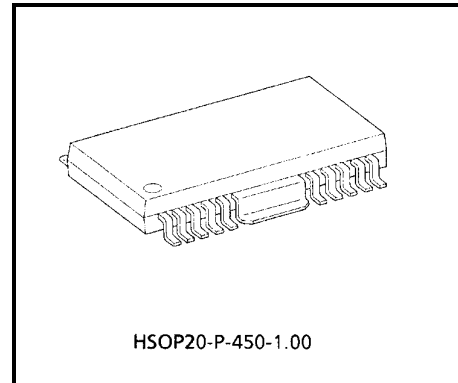
TA84002F/FG

PWM CHOPPER-TYPE 2-PHASE BIPOLAR STEPPING MOTOR DRIVER

The TA84002F/FG is designed to drive both windings of a two-phase bipolar stepping motor.

FEATURES

- Internal PWM current control
- Wide range of operating supply voltages
V_M (motor) : 10 V to 30 V
V_{CC} (control) : 4.5 V to 5.5 V
- Output current : 1.0 A (peak)
- Multichip IC consisting of four P-channel MOSFETs and one main chip
- Full-step and half-step are available
- Internal thermal-shutdown circuit
- Package : HSOP20-P-450-1.00



Weight: 0.79 g (typ.)

Note 1: This product has a multichip (MCP) structure utilizing Pch MOS technology, which is sensitive to electrostatic discharge. Handle with care.

TA84002FG:

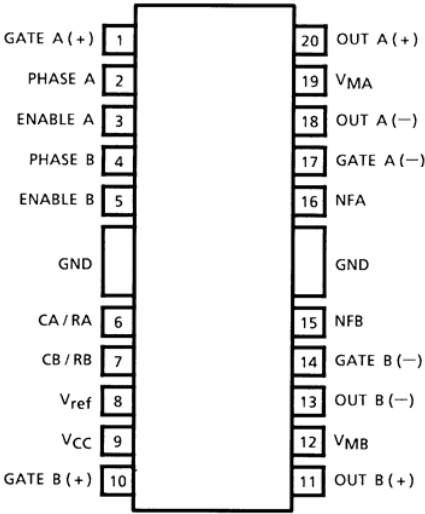
The TA84002FG is a Pb-free product.

The following conditions apply to solderability:

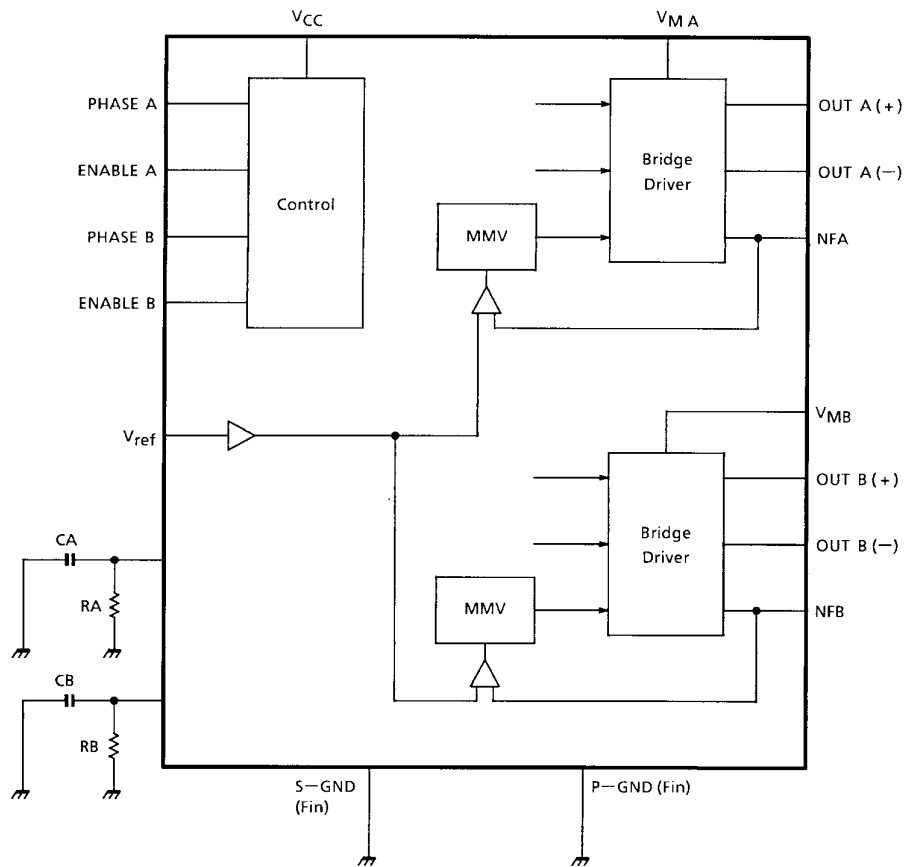
*Solderability

1. Use of Sn-37Pb solder bath
 - *solder bath temperature = 230°C
 - *dipping time = 5 seconds
 - *number of times = once
 - *use of R-type flux
2. Use of Sn-3.0Ag-0.5Cu solder bath
 - *solder bath temperature = 245°C
 - *dipping time = 5 seconds
 - *number of times = once
 - *use of R-type flux

PIN ASSIGNMENT



BLOCK DIAGRAM



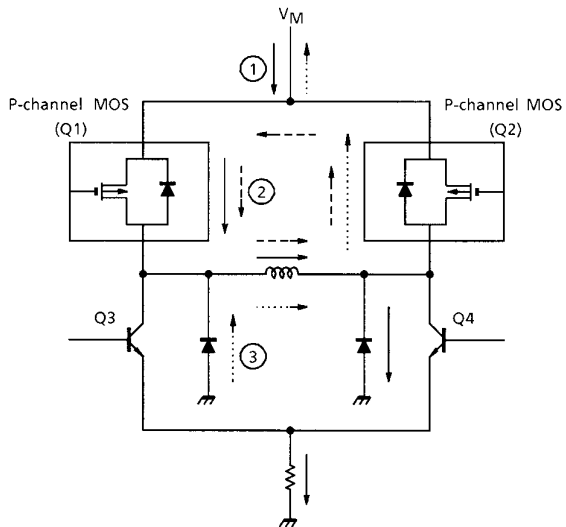
TRUTH TABLE

PHASE	ENABLE	OUT (+)	OUT (-)
X	H	OFF	OFF
H	L	H	L
L	L	L	H

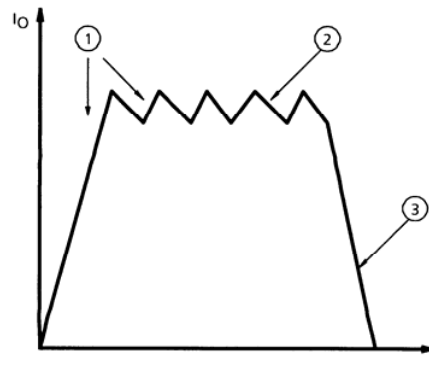
X: Don't care

OUTPUT STAGE

- The TA84002F/FG is a multichip IC consisting of four P-channel MOSFETs and one main chip.
- The four P-channel MOSFETs are used as upper-side power transistors.
- The output current is controlled by a switching lower-side transistor.
- During CHOP ON, the current flows through the P-channel MOS, motor winding, sink transistor and sense resistor.
- During CHOP OFF, the current circulates the motor winding, P-channel MOS and the diode of the P-channel MOS.
- Power dissipation is divided between the five chips.



- : (1) CHOP ON
(Drive Mode)
Q1: ON, Q2: OFF
Q3: OFF, Q4: ON
- - → : (2) CHOP OFF
(Slow Decay)
Q1: ON, Q2: OFF
Q3: OFF, Q4: OFF
-→ : (3) ALL OFF
(Fast Decay)



PWM CURRENT CONTROL

The output current is sensed and controlled independently in each bridge by an external sense resistor (RNF), internal comparator, and mono-stable multi-vibrator.

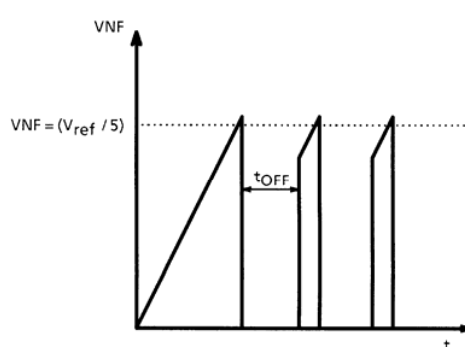
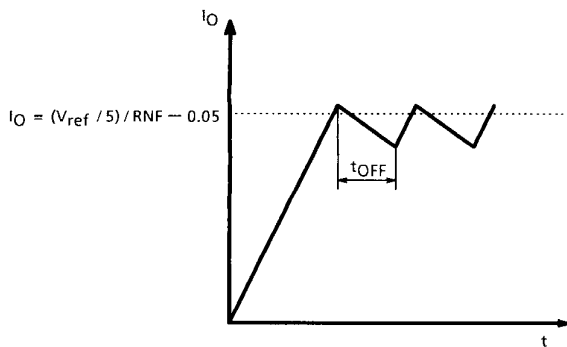
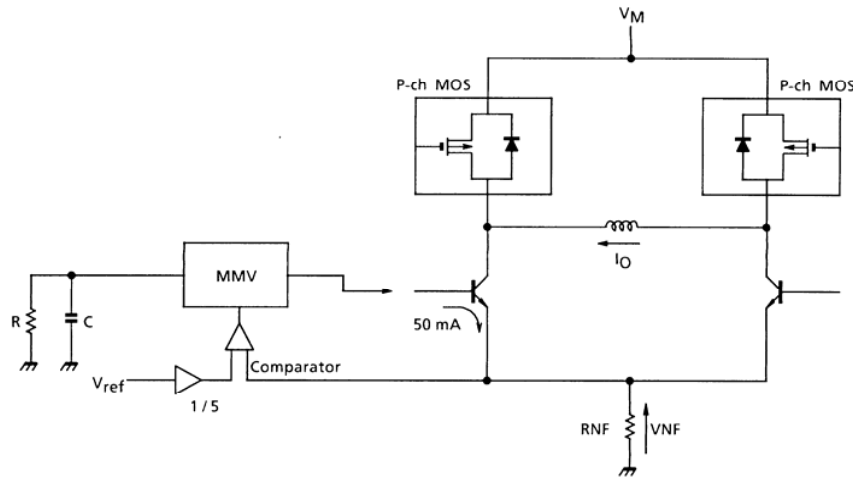
When the bridge is turned ON, the current increases in the motor winding and flows through the external sense resistor until the sense voltage (VNF) reaches the level set at the comparator input: $V_{ref} / 5$. The comparator then triggers the mono-stable multivibrator, which turns OFF the lower transistor of the bridge.

The OFF time is determined by the external RC timing components of the monostable multivibrator:

$$t_{OFF} \approx 1.1 CR.$$

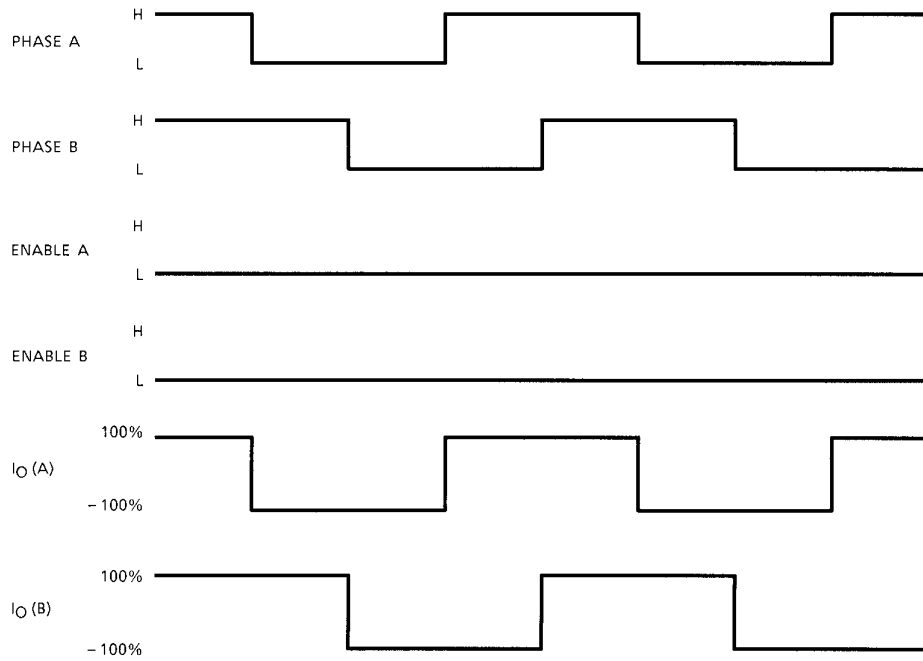
The approximate value of the current limiting (I_O) is given by the following:

$$I_O = (V_{ref} / 5) / RNF - 0.05.$$

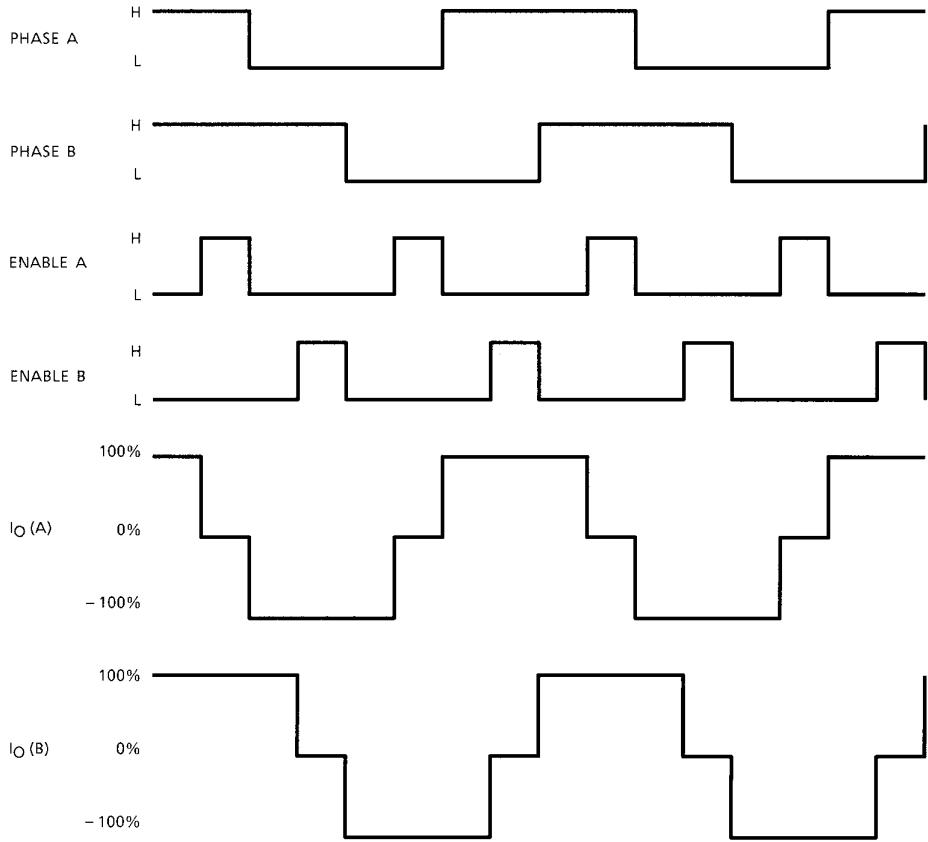


TIMING CHART

(1) Full Step



(2) Half Step



ABSOLUTE MAXIMUM RATINGS (Ta = 25°C)

CHARACTERISTIC	SYMBOL	RATING	UNIT
Supply Voltage (Motor)	V _M	35	V
Supply Voltage (Control)	V _{CC}	7	V
Output Current	I _O	1.0	A / ch
Input Voltage	V _{IN}	GND - 0.4 to V _{CC} + 0.4 V	V
Power Dissipation	P _D	2.5 (Note)	W
Operating Temperature	T _{opr}	-30 to 85	°C
Storage Temperature	T _{stg}	-55 to 150	°C

Note: This rating is obtained when the product is mounted on a 50 × 50 × 1.6 mm PCB 60% or more of which is occupied by copper.

RECOMMENDED OPERATION CONDITION (Ta = -30 to 85°C)

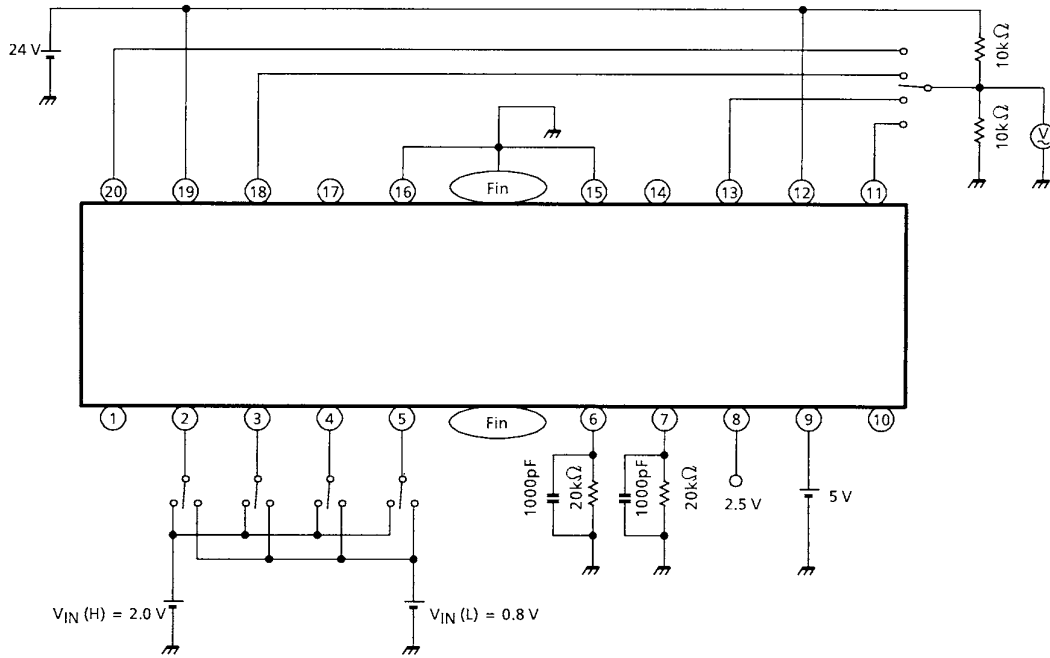
CHARACTERISTIC	SYMBOL	TEST CIR-CUIT	TEST CONDITION	MIN	TYP.	MAX	UNIT
Supply Voltage (Control)	V _{CC}	—		4.5	5.0	5.5	V
Supply Voltage (Motor)	V _M	—		10	24	30	V
Output Current	I _O	—		—	—	0.8	A / ch
Input Voltage	V _{IN}	—	PHASE, ENABLE	GND	—	V _{CC}	V
Reference Voltage	V _{ref}	—		1.2	2.5	V _{CC} - 0.5	V
PWM Frequency	f _{PWM}	—		15	30	50	kHz

ELECTRICAL CHARACTERISTICS (Ta = 25°C, VCC = 5 V, VM = 24 V)

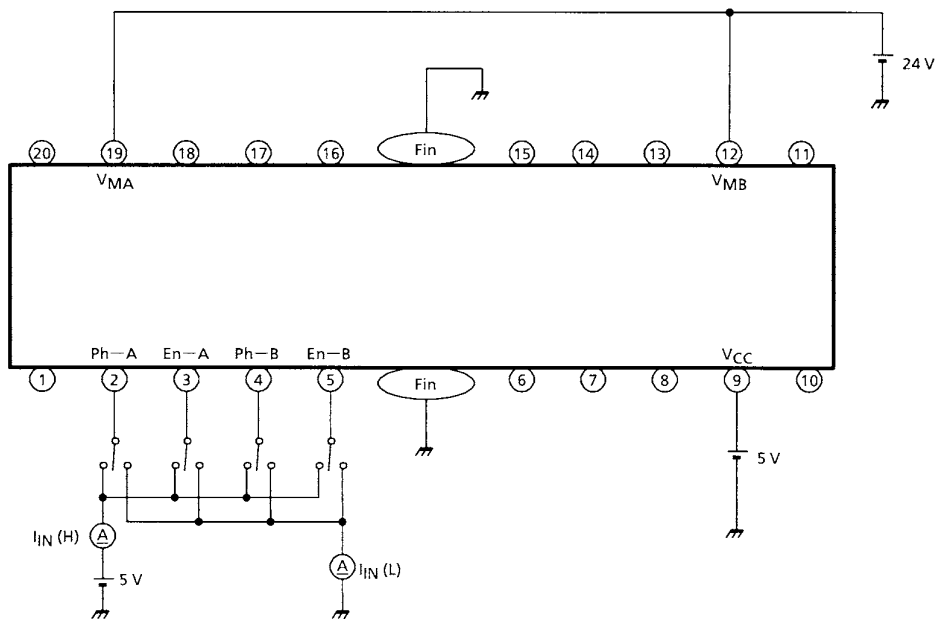
CHARACTERISTIC	SYMBOL	TEST CIR-CUIT	TEST CONDITION	MIN	TYP.	MAX	UNIT
Input Voltage	V _{IN(H)}	1	PHASE, ENABLE	2.0	—	V _{CC} + 0.3 V	V
	V _{IN(L)}			GND - 0.3 V	—	0.8	
Input Current	I _{IN(H)}	2	PHASE, ENABLE, V _{IN} = 5 V	—	2	20	μA
	I _{IN(L)}		PHASE, V _{IN} = GND	—	0	1	
	I _{IN(L)}		ENABLE, V _{IN} = GND	—	50	100	
Supply Current	I _{CC1}	3	ENABLE A / B = Low 2-Phase 100% ON	—	110	180	mA
	I _{CC2}	4	ENABLE A / B = Low 2-Phase 100% OFF	—	6	14	
	I _{CC3}	3	ENABLE A = Low, B = High 1-Phase 100% ON	—	55	90	
	I _{CC4}	4	ENABLE A = Low, B = High 1-Phase 100% OFF	—	6	14	
	I _{CC5}	3	ENABLE A / B = High 2-Phase OFF	—	6	14	
	I _{M1}	5	ENABLE A / B = Low 2-Phase ON	—	5	13	
	I _{M2}		ENABLE A = Low, B = High 1-Phase ON	—	4.5	11	
I _{M3}	ENABLE A / B = High 2-Phase OFF		—	4	9		
Output Saturation Voltage (Lower-side)	V _{SAT1}	6	I _O = 0.5 A	—	0.35	0.8	V
	V _{SAT2}		I _O = 1.0 A	—	0.65	2.0	
ON Resistor (Upper-side)	R _{on1}	7	I _O = 0.5 A	—	0.6	1.0	Ω
Diode Forward Voltage (Lower-side)	V _{F(L)}	8	I _F = 1.0 A	—	1.4	2.0	V
Diode Forward Voltage (Upper-side)	V _{F(H)}	9	I _F = 1.0 A	—	0.95	1.8	V
Reference Voltage Range	V _{ref}	—		1.0	2.5	V _{CC} - 0.5	V
Reference Current	I _{ref}	10	V _{ref} = 2.5 V	—	0.2	5	μA
Reference Divider Ratio	GAIN	11	V _{NF} / V _{ref}	0.17	0.2	0.23	
Setting Current	I _{set}	—	V _{ref} = 2.5 V, R _{NF} = 1 Ω	0.35	0.45	0.55	A
Thermal Shutdown Temperature	TSD	—	T _j	—	165	—	°C
Thermal Shutdown Hysteresis	ΔT	—		—	15	—	°C
Output Leakage Current	I _{L (H)}	12	P-Channel MOS	—	0	100	μA
	I _{L (L)}			—	0	50	
Pch MOS Drive Current	I _G	13		330	530	730	μA

TEST CIRCUIT

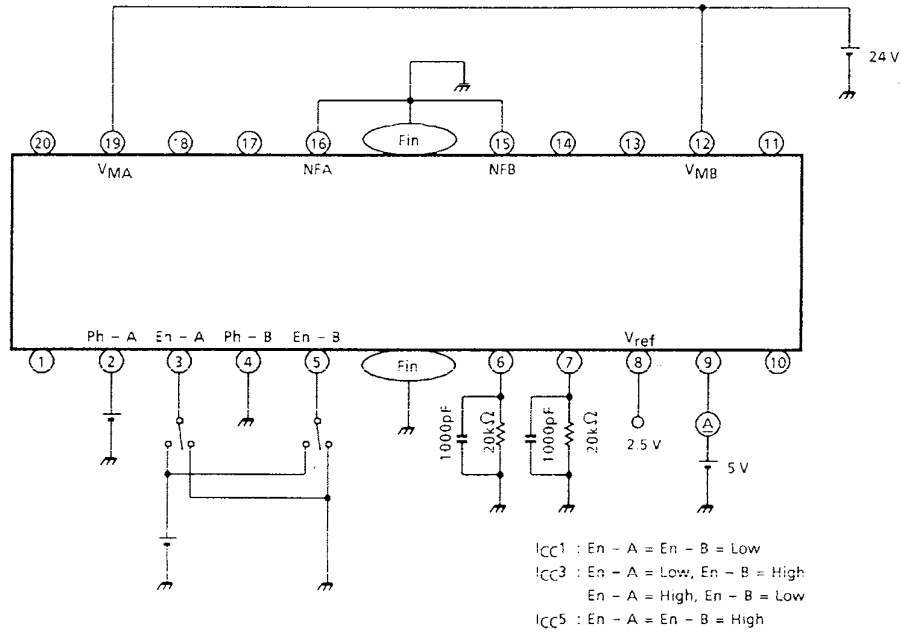
1. V_{IN} (H), V_{IN} (L)



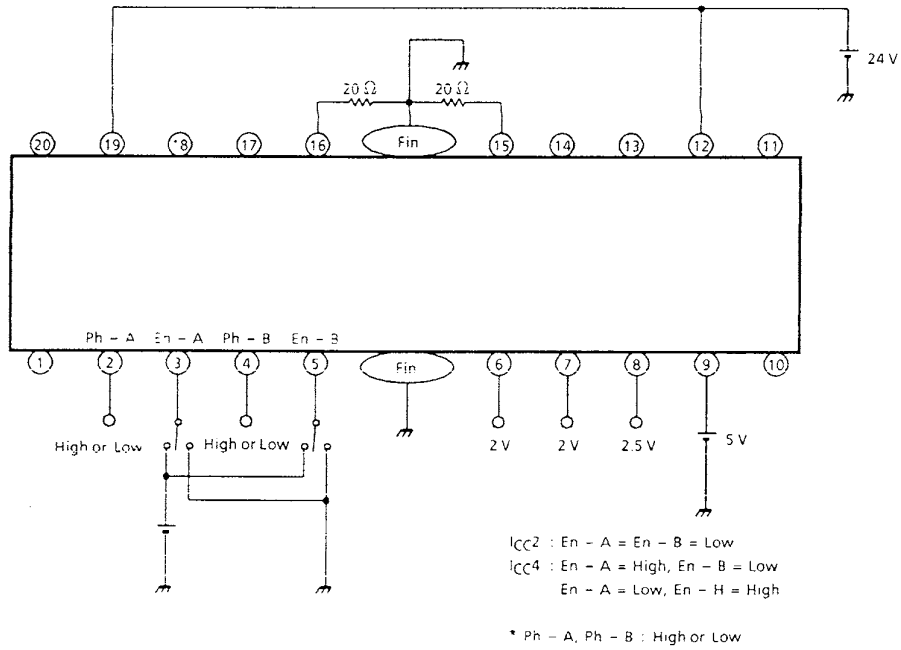
2. I_{IN} (H), I_{IN} (L)



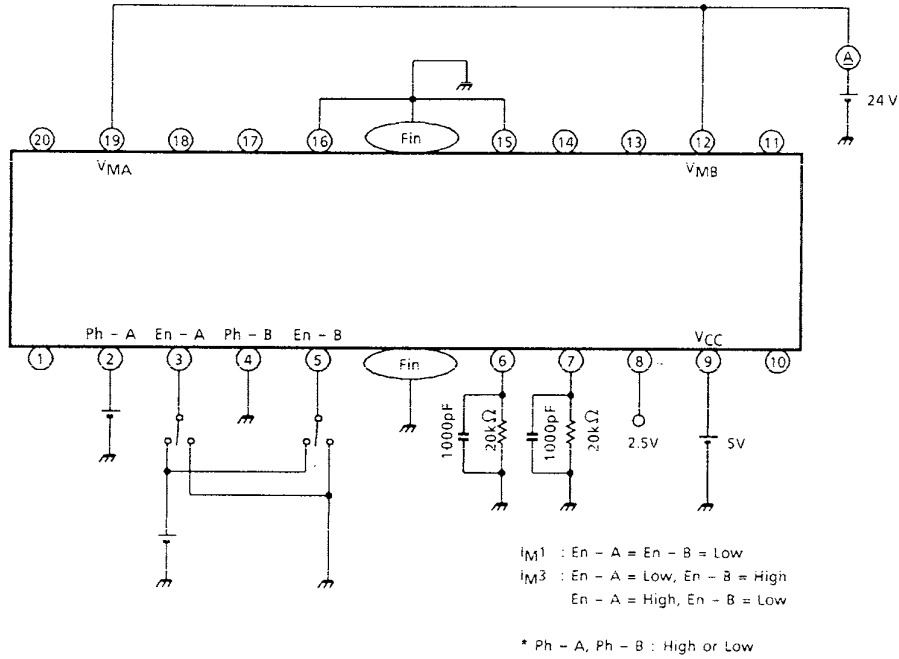
3. Icc1, Icc3, Icc5



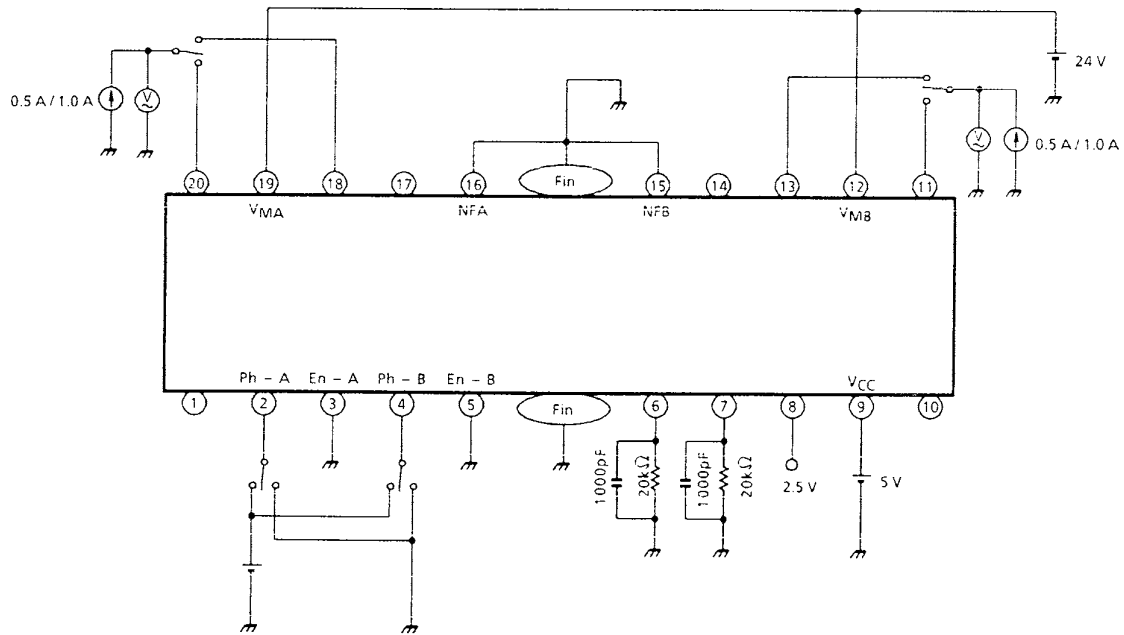
4. Icc2, Icc4



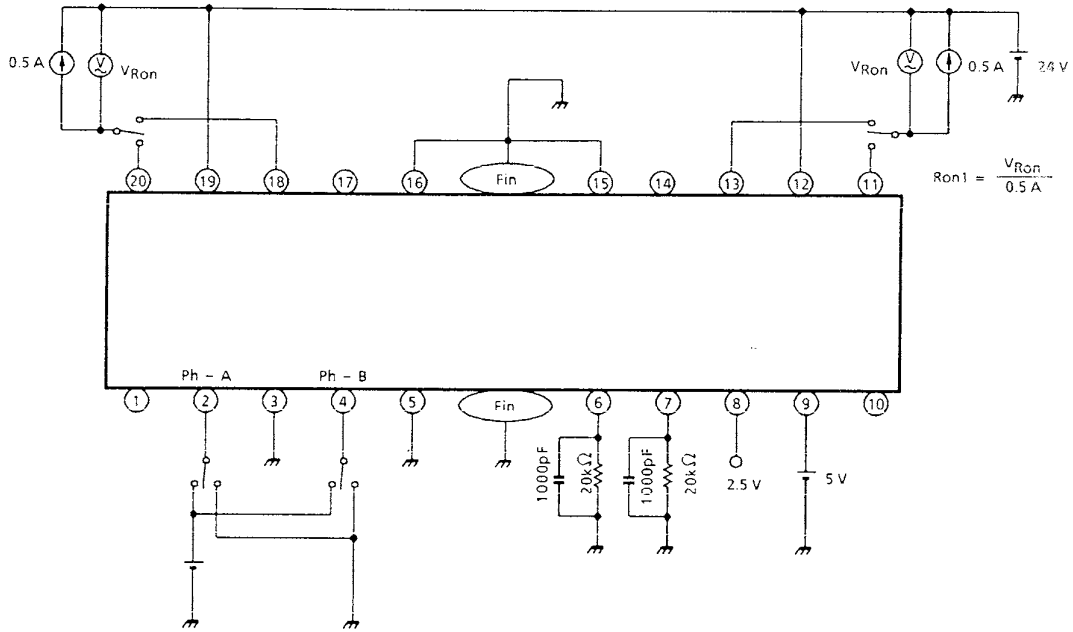
5. I_{M1}, I_{M2}, I_{M3}



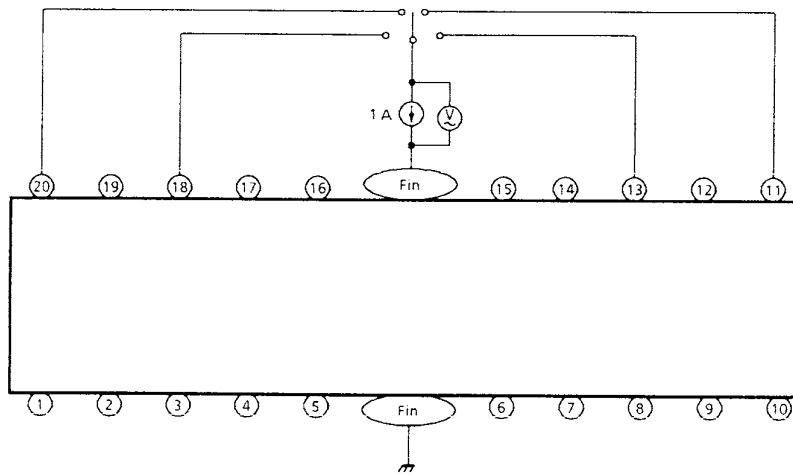
6. V_{SAT1}, V_{SAT2}



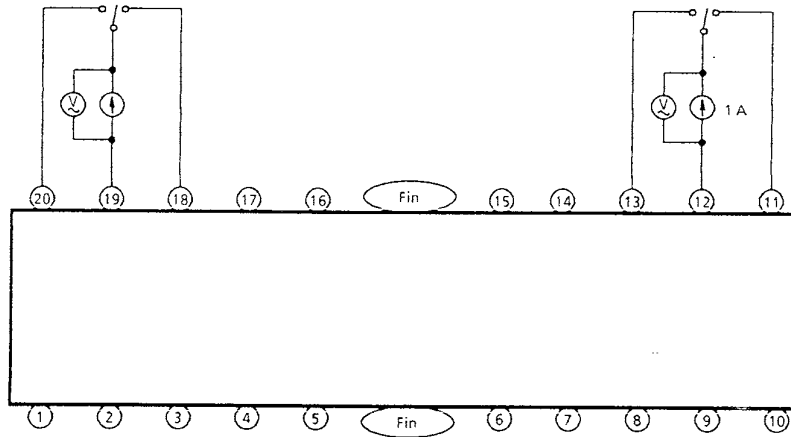
7. Ron1



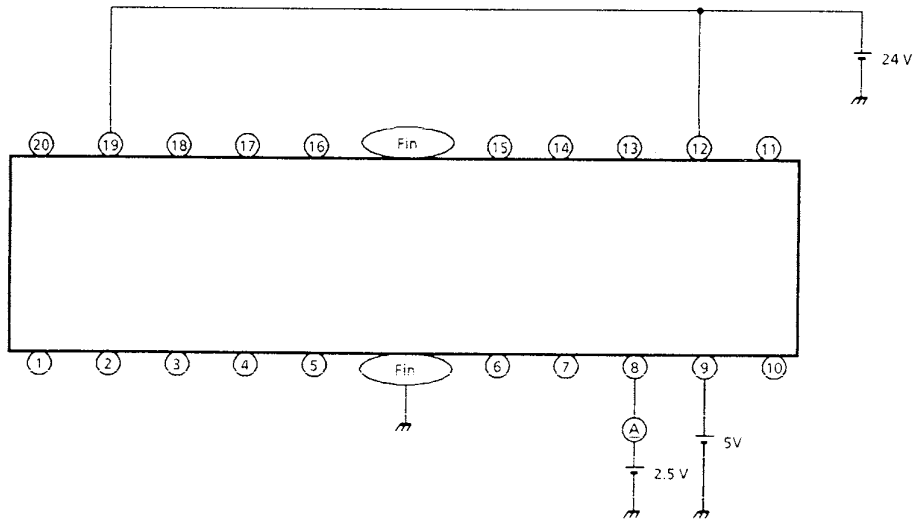
8. VF (L)



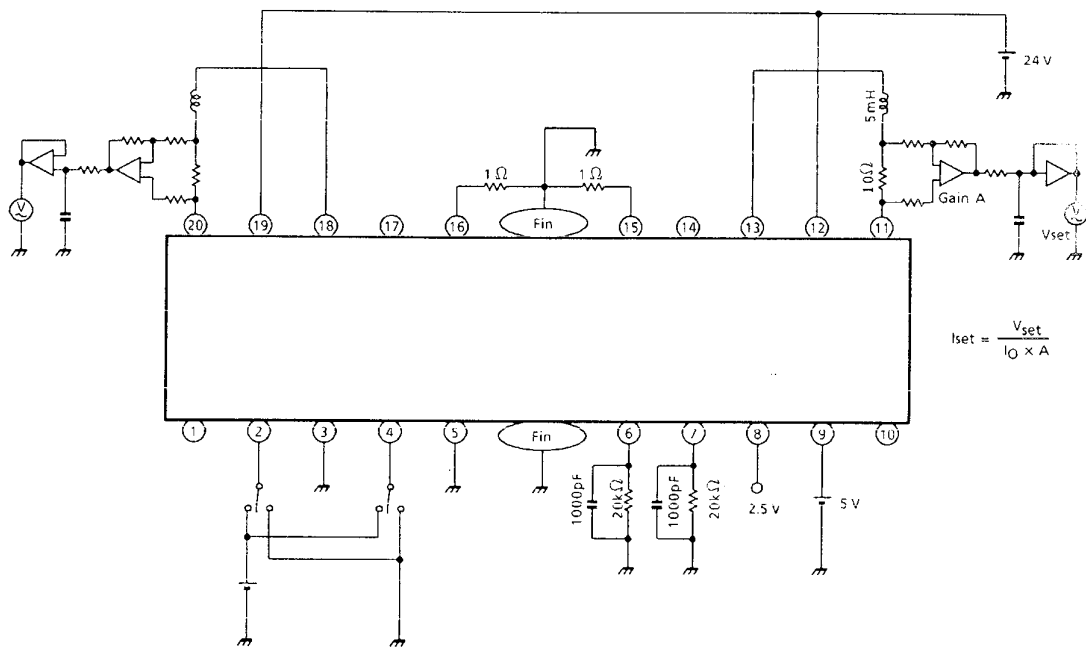
9. VF (H)



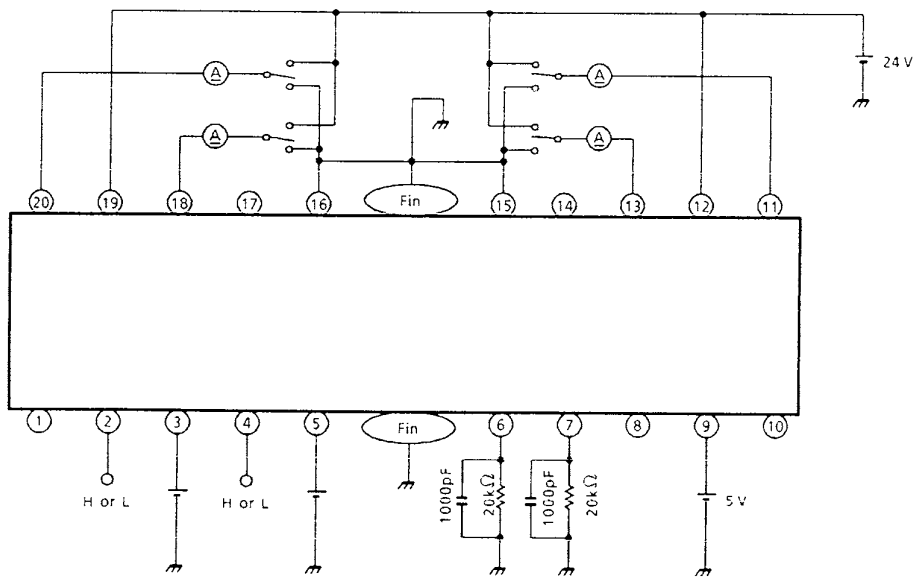
10. Iref



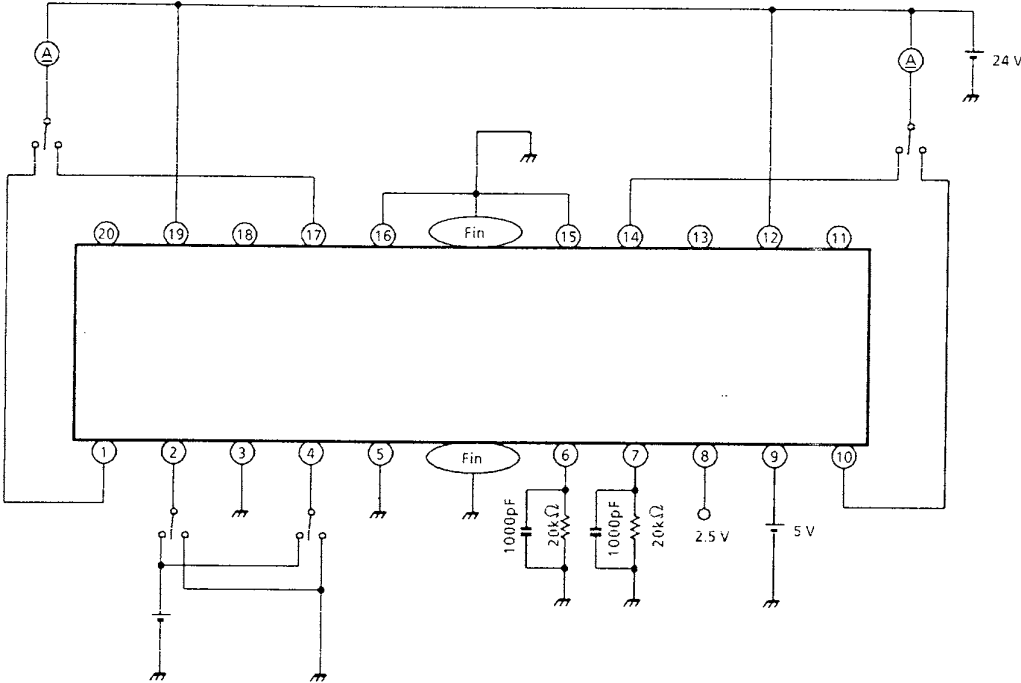
11. I_{set}



12. $I_L (H), I_L (L)$

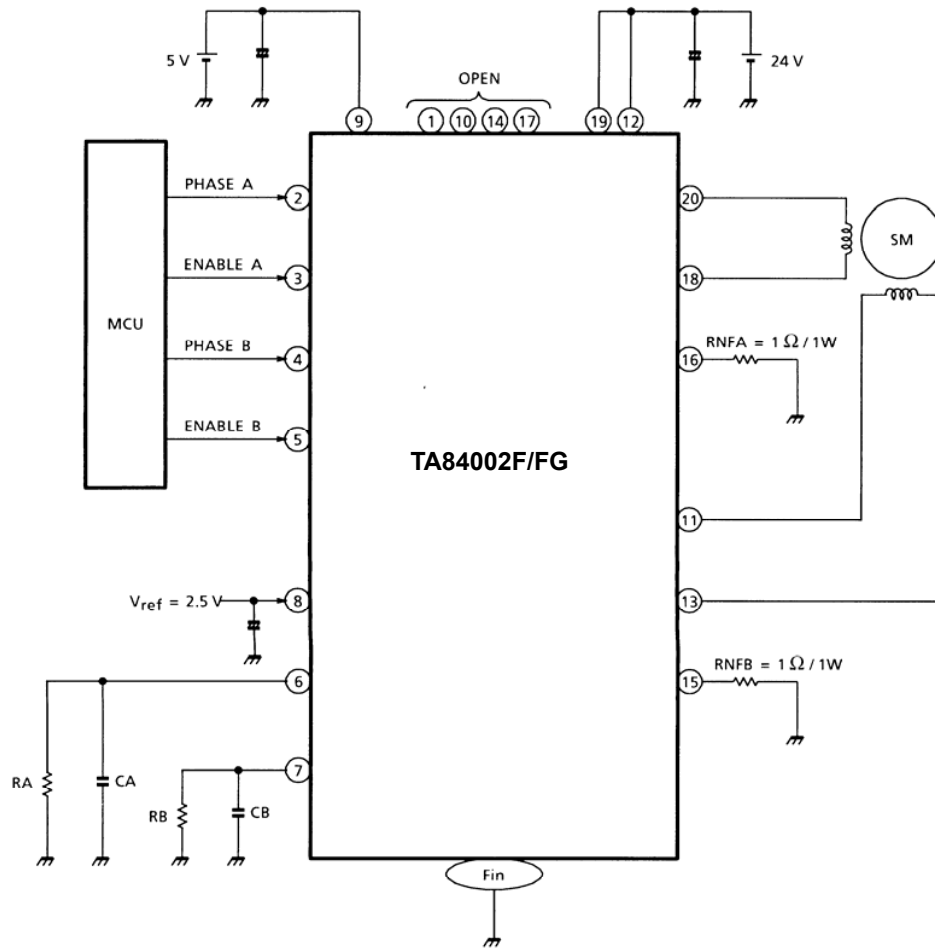


13. I_G



APPLICATION CIRCUIT

In case of $I_{OUT} = 0.5\text{ A}$



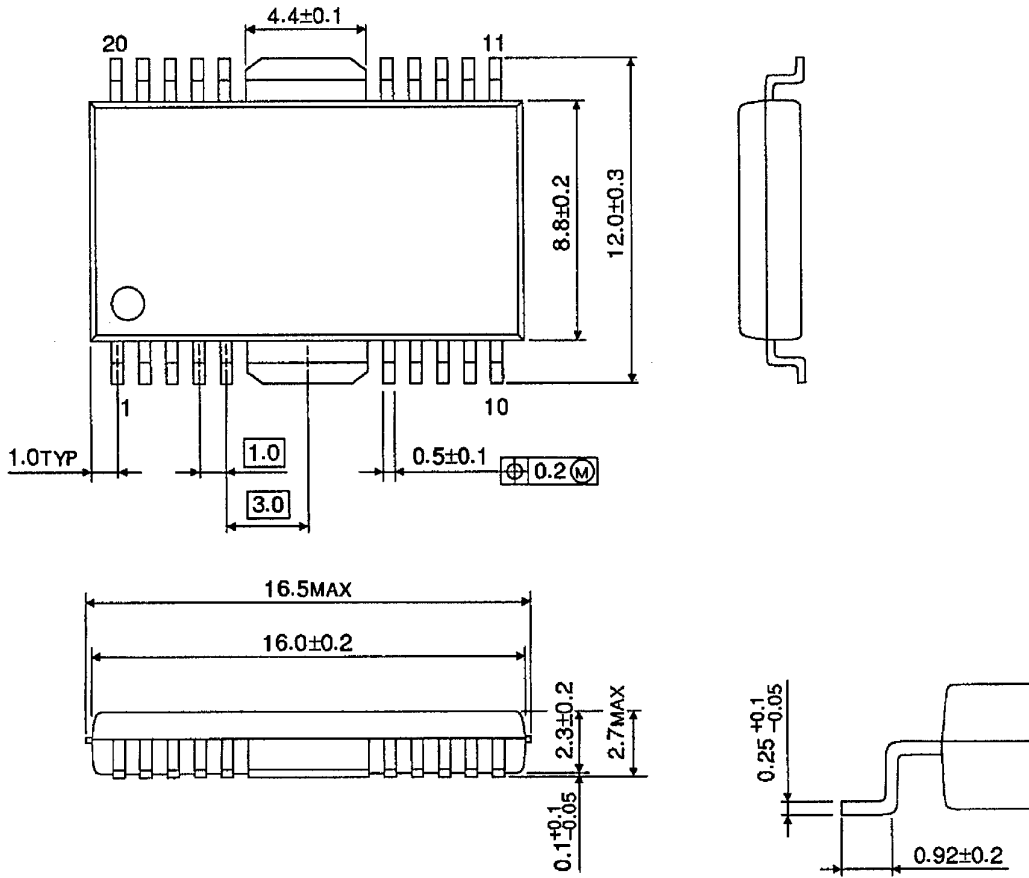
Note 1: A capacitor for noise suppression should be connected between the power supply (V_{CC} , V_M , V_{ref}) and GND to stabilize operation.

Note 2: Utmost care is necessary in the design of the output, V_{CC} , V_M , and GND lines since the IC may be destroyed by short-circuiting between outputs, air contamination faults, or faults due to improper grounding, or by short-circuiting between contiguous pins.

PACKAGE DIMENSIONS

HSOP20-P-450-1.00

Unit: mm



Weight: 0.79 g (typ.)

Notes on Contents

1. Block Diagrams

Some of the functional blocks, circuits, or constants in the block diagram may be omitted or simplified for explanatory purposes.

2. Equivalent Circuits

The equivalent circuit diagrams may be simplified or some parts of them may be omitted for explanatory purposes.

3. Timing Charts

Timing charts may be simplified for explanatory purposes.

4. Application Circuits

The application circuits shown in this document are provided for reference purposes only. Thorough evaluation is required, especially at the mass production design stage.

Toshiba does not grant any license to any industrial property rights by providing these examples of application circuits.

5. Test Circuits

Components in the test circuits are used only to obtain and confirm the device characteristics. These components and circuits are not guaranteed to prevent malfunction or failure from occurring in the application equipment.

IC Usage Considerations

Notes on handling of ICs

- [1] The absolute maximum ratings of a semiconductor device are a set of ratings that must not be exceeded, even for a moment. Do not exceed any of these ratings.
Exceeding the rating(s) may cause the device breakdown, damage or deterioration, and may result in injury by explosion or combustion.
- [2] Use an appropriate power supply fuse to ensure that a large current does not continuously flow in case of over current and/or IC failure. The IC will fully break down when used under conditions that exceed its absolute maximum ratings, when the wiring is routed improperly or when an abnormal pulse noise occurs from the wiring or load, causing a large current to continuously flow and the breakdown can lead smoke or ignition. To minimize the effects of the flow of a large current in case of breakdown, appropriate settings, such as fuse capacity, fusing time and insertion circuit location, are required.
- [3] If your design includes an inductive load such as a motor coil, incorporate a protection circuit into the design to prevent device malfunction or breakdown caused by the current resulting from the inrush current at power ON or the negative current resulting from the back electromotive force at power OFF. IC breakdown may cause injury, smoke or ignition.
Use a stable power supply with ICs with built-in protection functions. If the power supply is unstable, the protection function may not operate, causing IC breakdown. IC breakdown may cause injury, smoke or ignition.
- [4] Do not insert devices in the wrong orientation or incorrectly.
Make sure that the positive and negative terminals of power supplies are connected properly. Otherwise, the current or power consumption may exceed the absolute maximum rating, and exceeding the rating(s) may cause the device breakdown, damage or deterioration, and may result in injury by explosion or combustion.
In addition, do not use any device that is applied the current with inserting in the wrong orientation or incorrectly even just one time.

Points to remember on handling of ICs**(1) Thermal Shutdown Circuit**

Thermal shutdown circuits do not necessarily protect ICs under all circumstances. If the thermal shutdown circuits operate against the over temperature, clear the heat generation status immediately.

Depending on the method of use and usage conditions, such as exceeding absolute maximum ratings can cause the thermal shutdown circuit to not operate properly or IC breakdown before operation.

(2) Heat Radiation Design

In using an IC with large current flow such as power amp, regulator or driver, please design the device so that heat is appropriately radiated, not to exceed the specified junction temperature (T_j) at any time and condition. These ICs generate heat even during normal use. An inadequate IC heat radiation design can lead to decrease in IC life, deterioration of IC characteristics or IC breakdown. In addition, please design the device taking into consideration the effect of IC heat radiation with peripheral components.

(3) Back-EMF

When a motor rotates in the reverse direction, stops or slows down abruptly, a current flow back to the motor's power supply due to the effect of back-EMF. If the current sink capability of the power supply is small, the device's motor power supply and output pins might be exposed to conditions beyond maximum ratings. To avoid this problem, take the effect of back-EMF into consideration in system design.

RESTRICTIONS ON PRODUCT USE

060116EBA

- The information contained herein is subject to change without notice. 021023_D
- TOSHIBA is continually working to improve the quality and reliability of its products. Nevertheless, semiconductor devices in general can malfunction or fail due to their inherent electrical sensitivity and vulnerability to physical stress. It is the responsibility of the buyer, when utilizing TOSHIBA products, to comply with the standards of safety in making a safe design for the entire system, and to avoid situations in which a malfunction or failure of such TOSHIBA products could cause loss of human life, bodily injury or damage to property.
In developing your designs, please ensure that TOSHIBA products are used within specified operating ranges as set forth in the most recent TOSHIBA products specifications. Also, please keep in mind the precautions and conditions set forth in the "Handling Guide for Semiconductor Devices," or "TOSHIBA Semiconductor Reliability Handbook" etc. 021023_A
- The TOSHIBA products listed in this document are intended for usage in general electronics applications (computer, personal equipment, office equipment, measuring equipment, industrial robotics, domestic appliances, etc.). These TOSHIBA products are neither intended nor warranted for usage in equipment that requires extraordinarily high quality and/or reliability or a malfunction or failure of which may cause loss of human life or bodily injury ("Unintended Usage"). Unintended Usage include atomic energy control instruments, airplane or spaceship instruments, transportation instruments, traffic signal instruments, combustion control instruments, medical instruments, all types of safety devices, etc. Unintended Usage of TOSHIBA products listed in this document shall be made at the customer's own risk. 021023_B
- The products described in this document shall not be used or embedded to any downstream products of which manufacture, use and/or sale are prohibited under any applicable laws and regulations. 060106_Q
- The information contained herein is presented only as a guide for the applications of our products. No responsibility is assumed by TOSHIBA for any infringements of patents or other rights of the third parties which may result from its use. No license is granted by implication or otherwise under any patent or patent rights of TOSHIBA or others. 021023_C
- The products described in this document are subject to the foreign exchange and foreign trade laws. 021023_E