

TA8277H

Max Power 43 W BTL x 4 ch Audio Power IC

The TA8277H is 4 ch BTL audio power amplifier for car audio application.

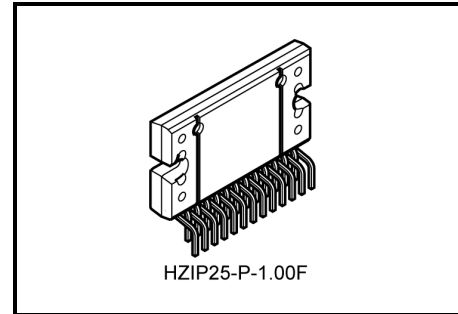
This IC can generate more high power: $POUT_{MAX} = 43\text{ W}$ as it is included the pure complementary PNP and NPN transistor output stage.

It is designed low distortion ratio for 4 ch BTL audio power amplifier, built-in stand-by function and muting function.

Additionally, the AUX amplifier and various kind of protector for car audio use is built-in.

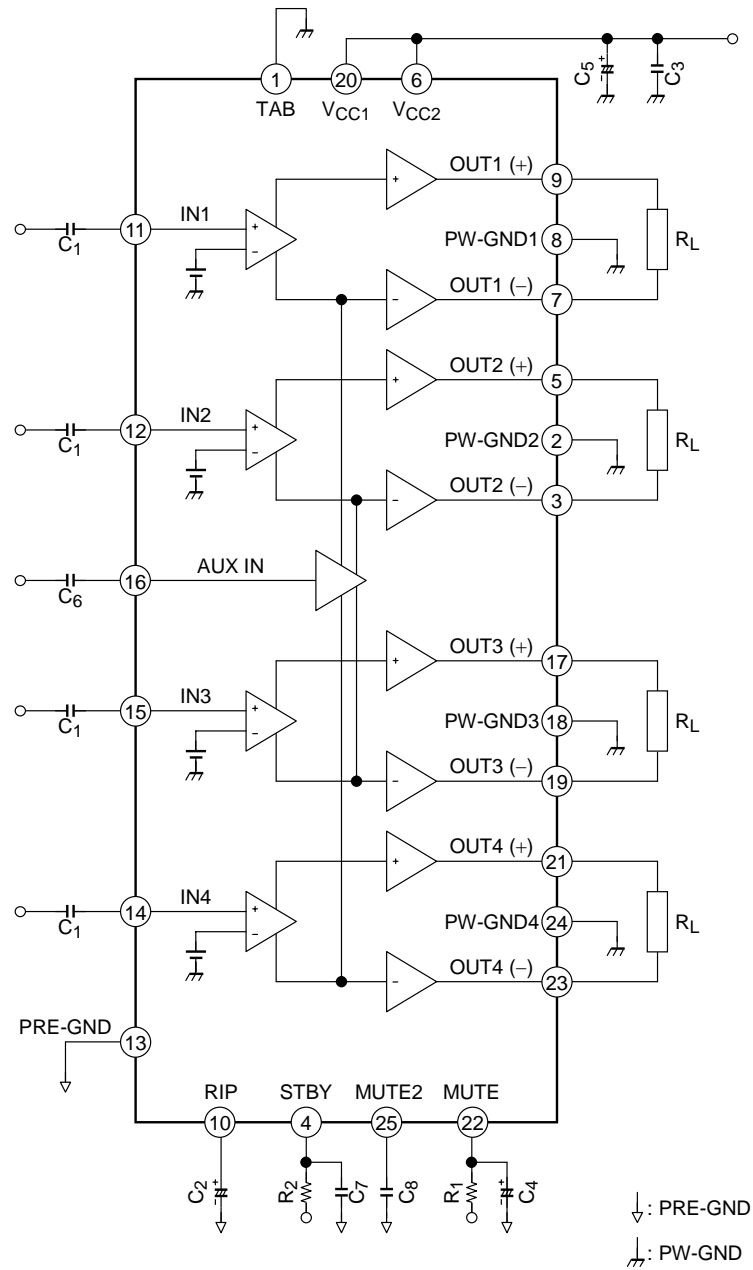
Features

- High power: $POUT_{MAX} (1) = 43\text{ W}$ (typ.)
 ($V_{CC} = 14.4\text{ V}$, $f = 1\text{ kHz}$, JEITA max, $R_L = 4\ \Omega$)
 : $POUT_{MAX} (2) = 40\text{ W}$ (typ.)
 ($V_{CC} = 13.7\text{ V}$, $f = 1\text{ kHz}$, JEITA max, $R_L = 4\ \Omega$)
 : $POUT (1) = 28\text{ W}$ (typ.)
 ($V_{CC} = 14.4\text{ V}$, $f = 1\text{ kHz}$, THD = 10%, $R_L = 4\ \Omega$)
 : $POUT (2) = 24\text{ W}$ (typ.)
 ($V_{CC} = 13.2\text{ V}$, $f = 1\text{ kHz}$, THD = 10%, $R_L = 4\ \Omega$)
- Low distortion ratio: THD = 0.02% (typ.)
 ($V_{CC} = 13.2\text{ V}$, $f = 1\text{ kHz}$, $POUT = 5\text{ W}$, $R_L = 4\ \Omega$)
- Low noise: $V_{NO} = 0.10\text{ mV}_{rms}$ (typ.)
 ($V_{CC} = 13.2\text{ V}$, $R_g = 0\ \Omega$, $G_V = 26\text{ dB}$, $BW = 20\text{ Hz} \sim 20\text{ kHz}$)
- Built-in stand-by switch function (pin 4)
- Built-in muting function (pin 22)
- Built-in AUX amplifier from single input to 4 channels output (pin 16)
- Built-in various protection circuit
 : Thermal shut down, over voltage, out to GND, out to V_{CC} , out to out short
- Operating supply voltage: $V_{CC} (opr) = 9 \sim 18\text{ V}$



Weight: 7.7 g (typ.)

Block Diagram



Caution and Application Method

(Description is made only on the single channel.)

1. Voltage Gain Adjustment

This IC has no NF (negative feedback) terminals. Therefore, the voltage gain can't adjusted, but it makes the device a space and total costs saver.

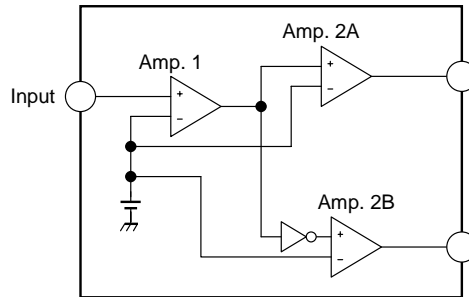


Figure 1 Block Diagram

- The voltage gain of Amp.1 : $G_{V1} = 0 \text{ dB}$
- The voltage gain of Amp.2A, B : $G_{V2} = 20 \text{ dB}$
- The voltage gain of BLT Connection : $G_V (\text{BTL}) = 6 \text{ dB}$

Therefore, the total voltage gain is decided by expression below.

$$G_V = G_{V1} + G_{V2} + G_V (\text{BTL}) = 0 + 20 + 6 = 26 \text{ dB}$$

2. Stand-by SW Function (pin 4)

By means of controlling pin 4 (stand-by terminal) to high and low, the power supply can be set to ON and OFF. The threshold voltage of pin 4 is set at about $3V_{BE}$ (typ.), and the power supply current is about $2 \mu\text{A}$ (typ.) at the stand-by state.

Control Voltage of pin 4: V_{SB}

Stand-by	Power	V_{SB} (V)
ON	OFF	0~1.5
OFF	ON	$3 \sim V_{CC}$

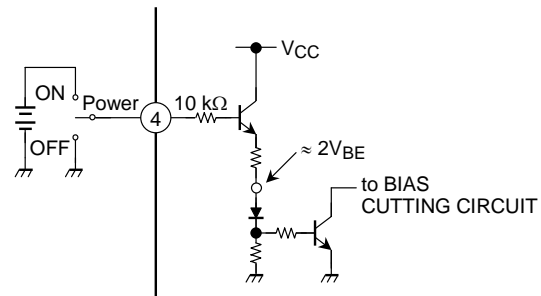


Figure 2 With pin 4 set to High, Power is turned ON

Adjustage of Stand-by SW

- (1) Since V_{CC} can directly be controlled to ON or OFF by the microcomputer, the switching relay can be omitted.
- (2) Since the control current is microscopic, the switching relay of small current capacity is satisfactory for switching

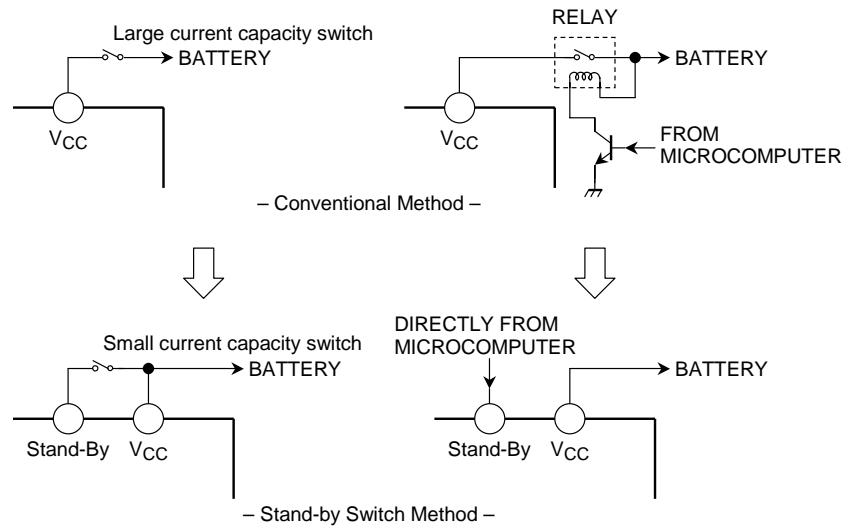


Figure 3

3. Muting Function (pin 22)

By means of controlling pin 22 less than 0.5 V, it can make the audio muting condition.

The muting time constant is decided by R1, C4 and C8 and these parts is related the pop noise at power ON/OFF.

The series resistance; R1 must be set up less than 5 kΩ.

The muting function have to be controlled by a transistor, FET and μ-COM port which has IMUTE > 50 μA ability.

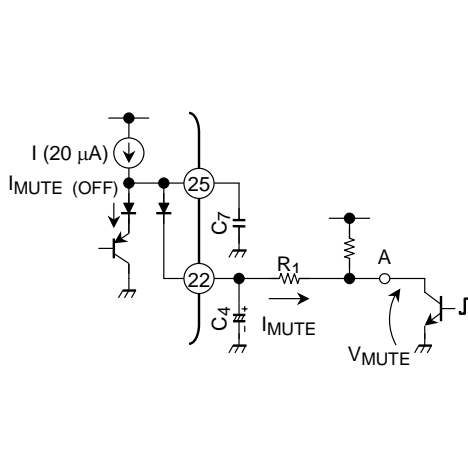


Figure 4 Muting Function

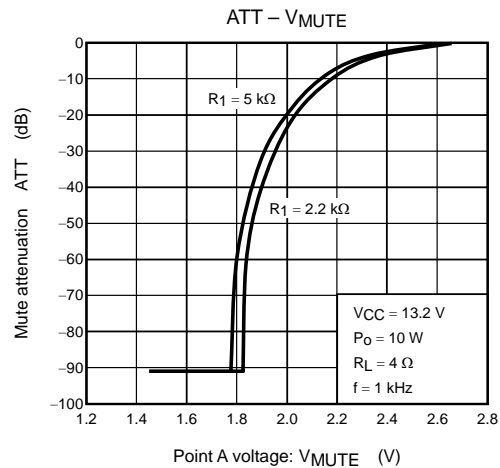


Figure 5 Mute Attenuation – V_{MUTE} (V)

4. AUX Input (pin 16)

The pin 16 is for input terminal of AUX amplifier.

The total gain is 0dB by using of AUX amplifier.

Therefore, the μ -COM can directly drive the AUX amplifier.

BEEP sound or voice synthesizer signal can be input to pin 16 directly.

When AUX function is not used, this pin must be connected to PRE-GND (pin 13) via a capacitor.

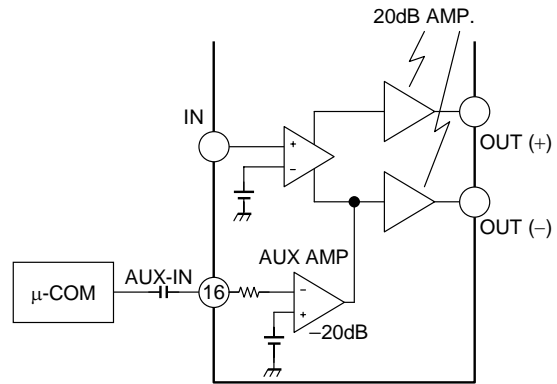


Figure 6 AUX Input

Maximum Ratings (Ta = 25°C)

Characteristics	Symbol	Rating	Unit
Peak supply voltage (0.2 s)	V _{CC (surge)}	50	V
DC supply voltage	V _{CC (DC)}	25	V
Operation supply voltage	V _{CC (opr)}	18	V
Output current (peak)	I _{O (peak)}	9	A
Power dissipation	P _{D (Note1)}	125	W
Operation temperature	T _{opr}	-40~85	°C
Storage temperature	T _{stg}	-55~150	°C

Note 1: Package thermal resistance $\theta_{j-T} = 1^{\circ}\text{C}/\text{W}$ (typ.)
(Ta = 25°C, with infinite heat sink)

Electrical Characteristics

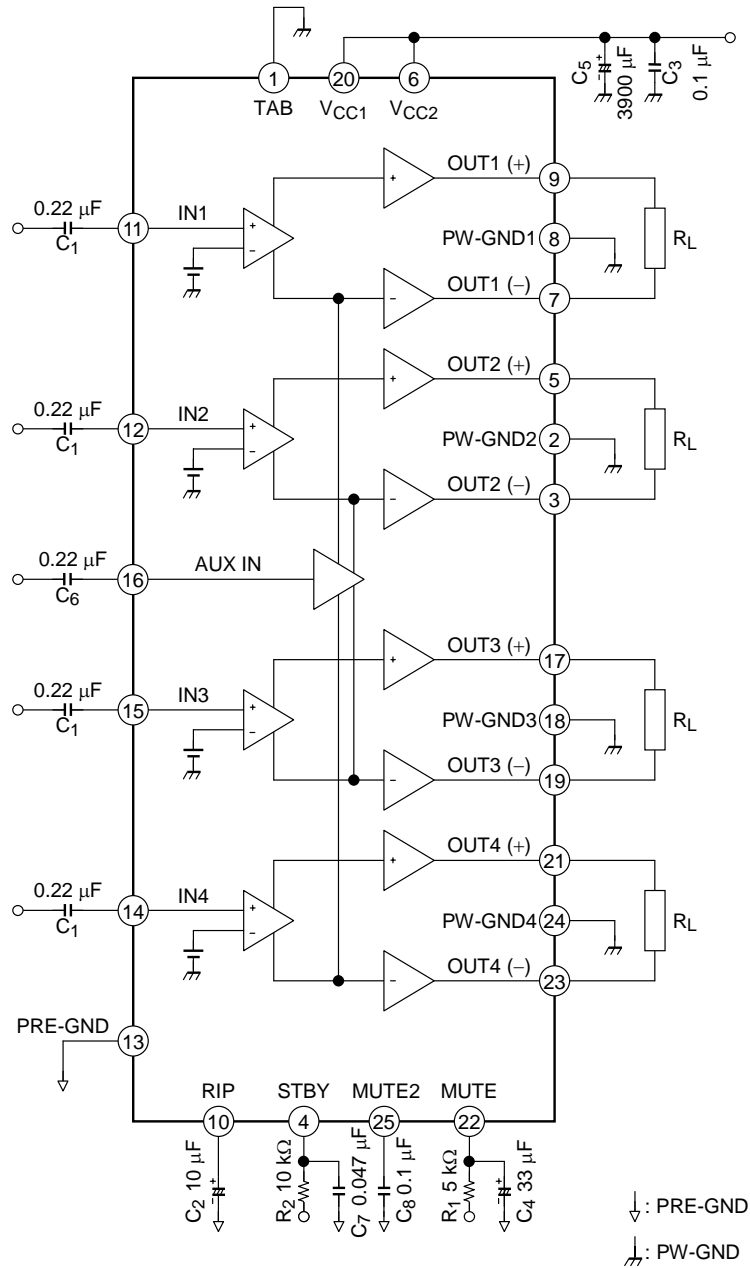
(unless otherwise specified, V_{CC} = 13.2 V, f = 1 kHz, R_L = 4 Ω, Ta = 25°C)

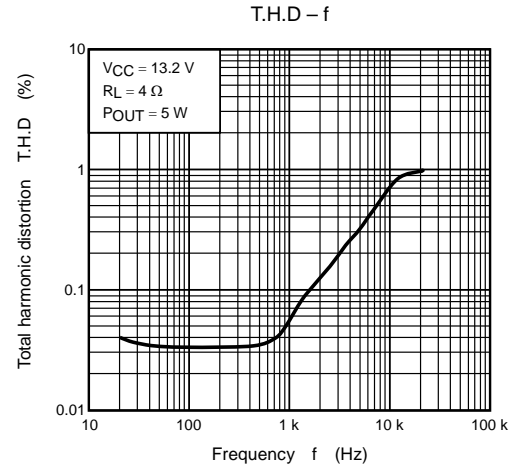
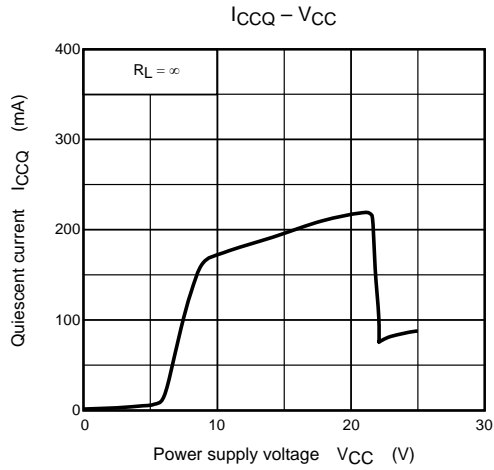
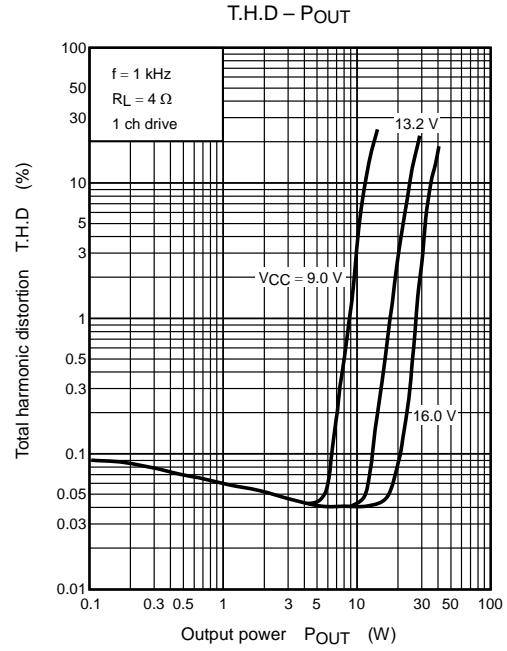
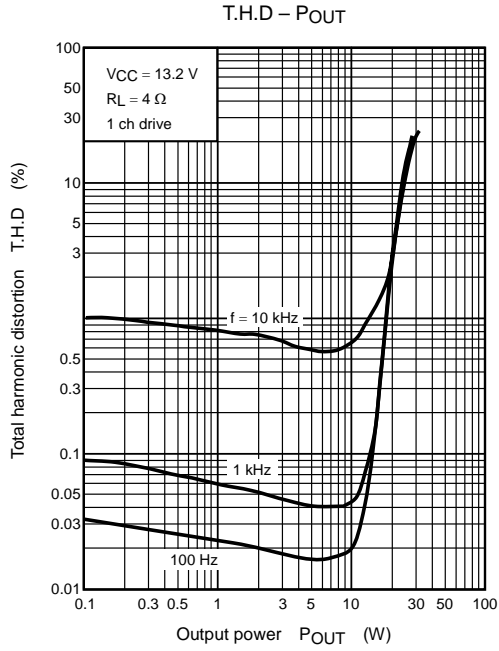
Characteristics	Symbol	Test Circuit	Test Condition	Min	Typ.	Max	Unit
Quiescent current	I _{CCQ}	—	V _{IN} = 0	—	200	400	mA
Output power	P _{OUT MAX (1)}	—	V _{CC} = 14.4 V, max Power	—	43	—	W
	P _{OUT MAX (2)}	—	V _{CC} = 13.7 V, max Power	—	40	—	
	P _{OUT (1)}	—	V _{CC} = 14.4 V, THD = 10%	—	28	—	
	P _{OUT (2)}	—	THD = 10%	22	24	—	
Total harmonic distortion	THD	—	P _{OUT} = 5 W	—	0.02	0.2	%
Voltage gain	G _V	—	V _{OUT} = 0.775 V _{rms} (0dBm)	24	26	28	dB
Voltage gain ratio	ΔG _V	—	V _{OUT} = 0.775 V _{rms} (0dBm)	-1.0	0	1.0	
Output noise voltage	V _{NO (1)}	—	R _g = 0 Ω, DIN45405	—	0.12	—	mV _{rms}
	V _{NO (2)}	—	R _g = 0 Ω, BW = 20 Hz~20 kHz	—	0.10	0.35	
Ripple rejection ratio	R.R.	—	f _{rip} = 100 Hz, R _g = 620 Ω V _{rip} = 0.775 V _{rms} (0dBm)	40	50	—	dB
Cross talk	C.T.	—	R _g = 620 Ω V _{OUT} = 0.775 V _{rms} (0dBm)	—	65	—	dB
Output offset voltage	V _{OFFSET}	—	—	-150	0	+150	mV
Input resistance	R _{IN}	—	—	—	90	—	kΩ
Stand-by current	I _{SB}	—	Stand-by condition	—	2	10	μA
Stand-by control voltage	V _{SB H}	—	Power: ON	3.0	—	V _{CC}	V
	V _{SB L}	—	Power: OFF	0	—	1.5	
Mute control voltage (Note2)	V _{M H}	—	Mute: OFF	Open			—
	V _{M L}	—	Mute: ON, R ₁ = 10 kΩ	0	—	0.5	V
Mute attenuation	ATT M	—	Mute: ON, V _{OUT} = 7.75 V _{rms} (20dBm) at Mute: OFF.	80	90	—	dB

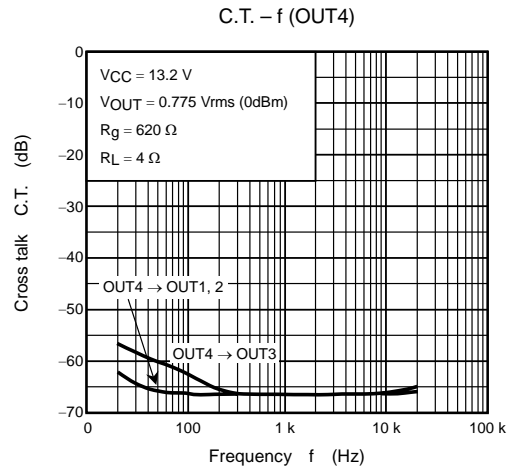
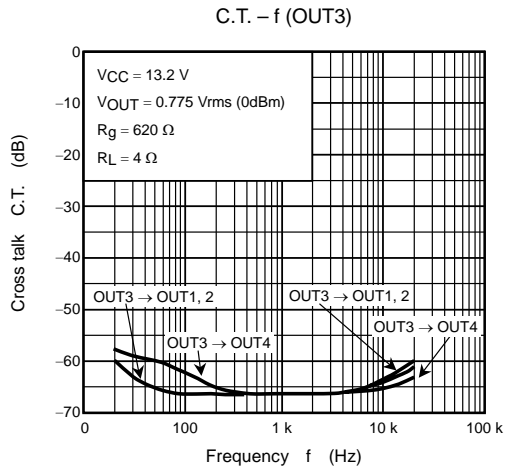
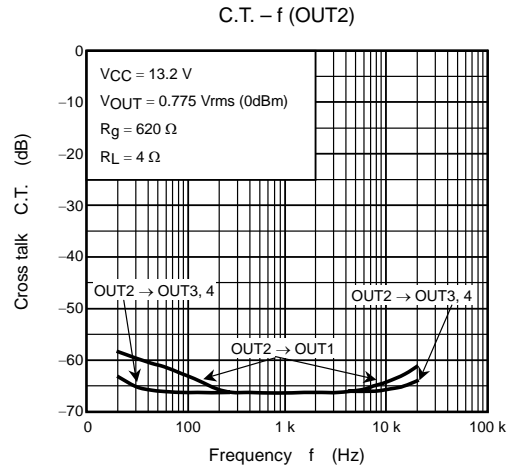
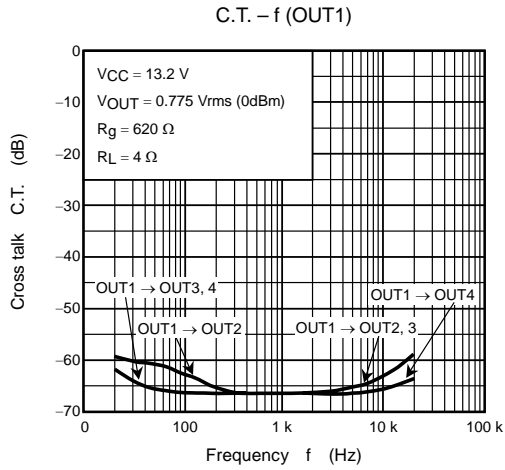
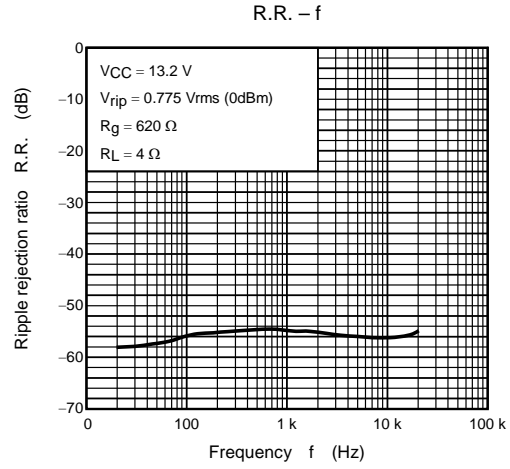
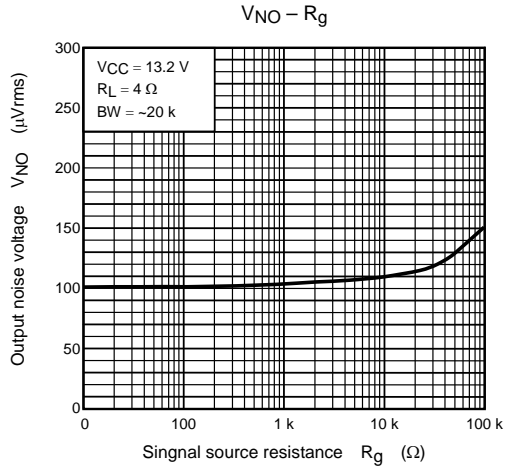
Note 2: Muting function have to be controlled by open and low logic, which logic is a transistor, FET and μ-COM port of I_{MUTE} > 50 μA ability.

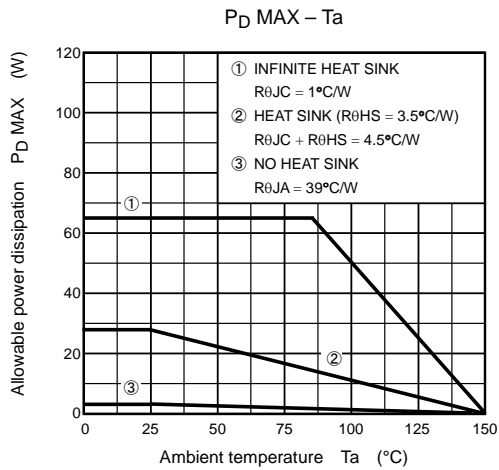
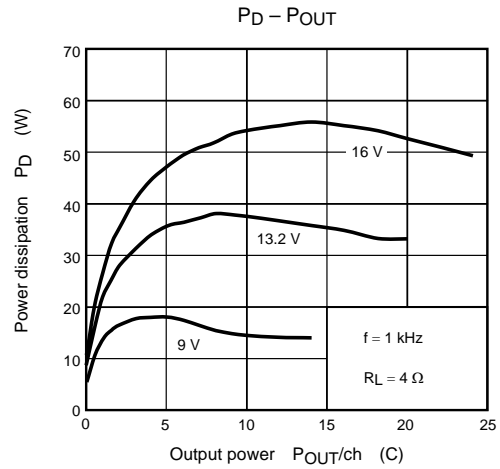
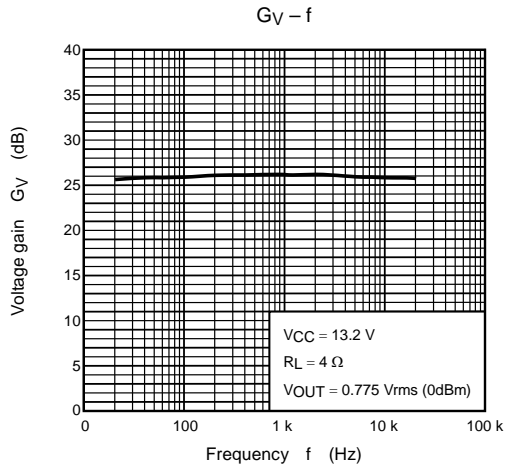
This means than the mute control terminal : pin 22 must not be pulled-up.

Test Circuit









RESTRICTIONS ON PRODUCT USE

000707EBF

- TOSHIBA is continually working to improve the quality and reliability of its products. Nevertheless, semiconductor devices in general can malfunction or fail due to their inherent electrical sensitivity and vulnerability to physical stress. It is the responsibility of the buyer, when utilizing TOSHIBA products, to comply with the standards of safety in making a safe design for the entire system, and to avoid situations in which a malfunction or failure of such TOSHIBA products could cause loss of human life, bodily injury or damage to property.
In developing your designs, please ensure that TOSHIBA products are used within specified operating ranges as set forth in the most recent TOSHIBA products specifications. Also, please keep in mind the precautions and conditions set forth in the "Handling Guide for Semiconductor Devices," or "TOSHIBA Semiconductor Reliability Handbook" etc..
- The TOSHIBA products listed in this document are intended for usage in general electronics applications (computer, personal equipment, office equipment, measuring equipment, industrial robotics, domestic appliances, etc.). These TOSHIBA products are neither intended nor warranted for usage in equipment that requires extraordinarily high quality and/or reliability or a malfunction or failure of which may cause loss of human life or bodily injury ("Unintended Usage"). Unintended Usage include atomic energy control instruments, airplane or spaceship instruments, transportation instruments, traffic signal instruments, combustion control instruments, medical instruments, all types of safety devices, etc.. Unintended Usage of TOSHIBA products listed in this document shall be made at the customer's own risk.
- This product generates heat during normal operation. However, substandard performance or malfunction may cause the product and its peripherals to reach abnormally high temperatures.
The product is often the final stage (the external output stage) of a circuit. Substandard performance or malfunction of the destination device to which the circuit supplies output may cause damage to the circuit or to the product.
- The products described in this document are subject to the foreign exchange and foreign trade laws.
- The information contained herein is presented only as a guide for the applications of our products. No responsibility is assumed by TOSHIBA CORPORATION for any infringements of intellectual property or other rights of the third parties which may result from its use. No license is granted by implication or otherwise under any intellectual property or other rights of TOSHIBA CORPORATION or others.
- The information contained herein is subject to change without notice.