

INTEGRATED CIRCUIT POWER DRIVERS

MEDIUM-CURRENT SOURCE DRIVERS

ALL DEVICES

- Internal Transient-Suppression Diodes
- TTL, CMOS, PMOS, NMOS Compatible

UDN-2580EP and UDN-2580LW

- - 500 mA, 50 V Darlington Outputs
- Active Low Inputs

UDN-2585EP and UDN-2585LW

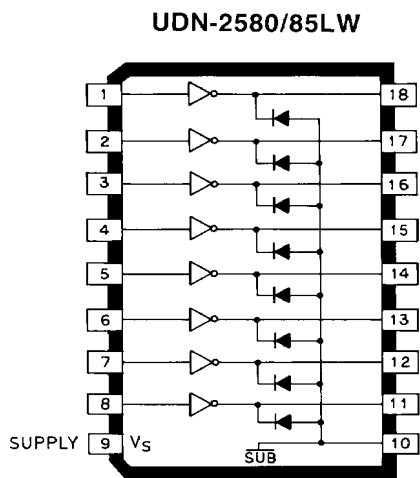
- - 250 mA, 35 V Saturated Outputs
- Active High Inputs

UDN-2982EP and UDN-2982LW

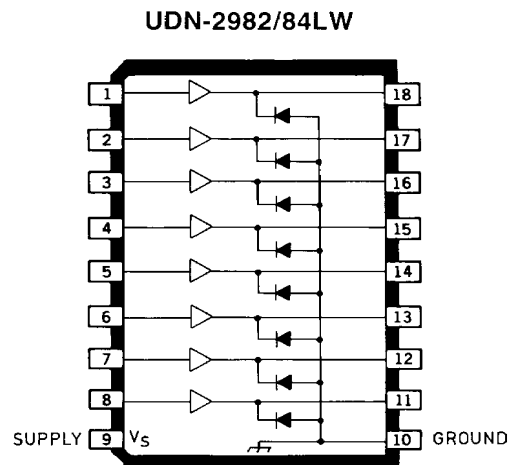
- - 500 mA, 50 V Darlington Outputs
- Active High Inputs
- Extended-Temperature, Hermetically Sealed Version to MIL-STD-883 is UDS-2982EK

UDN-2984EP and UDN-2984LW

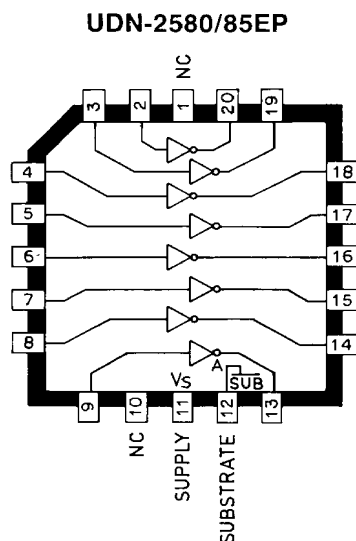
- - 500 mA, 80 V Darlington Outputs
- Extended-Temperature, Hermetically Sealed Version to MIL-STD-883 is UDS-2984EK



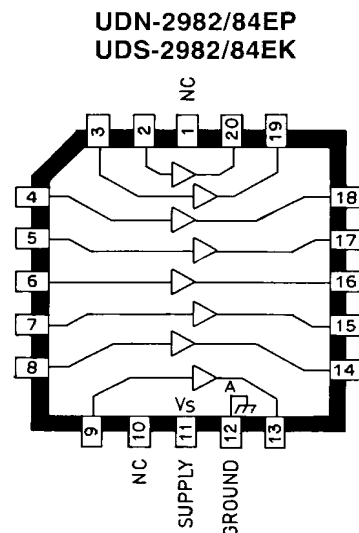
Dwg. No. A-14,333



Dwg. No. A-14,339



Dwg. No. A-14,334



Dwg. No. A-14,338