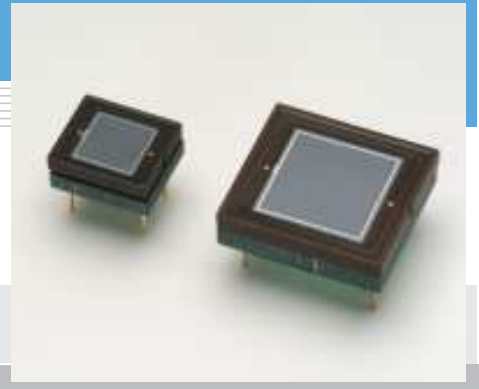


# Si photodiode with preamp S9269, S9270

Photodiode and preamp integrated with feedback resistance and capacitance



S9269 and S9270 are low-noise photosensors consisting of a Si photodiode, op amp, and feedback resistance and capacitance, all integrated into a ceramic package with a surface size equal to our standard ceramic packages. These photosensors are ideal for a wide range of photometric applications including analytical equipment and measurement equipment. The active area of the photodiode is internally connected to the GND terminal making it highly resistant to EMC noise. Combinations with various photodiodes such as UV sensitivity enhanced type, IR sensitivity suppressed type and IR sensitivity enhanced type are also available. (Custom order products)

## Features

- Si photodiode for visible to near IR Si precision photometry
- Small package  
S9269: 10.1 × 8.9 × 40<sup>†</sup> mm  
S9270: 16.5 × 15.0 × 4.15<sup>†</sup> mm
- Active area  
S9269: 5.8 × 5.8 mm  
S9270: 10 × 10 mm
- FET input operational amplifier with low power dissipation
- Built-in R<sub>f</sub>=1 GΩ, C<sub>f</sub>=5 pF
- Low noise and NEP

## Applications

- Precision photometry
- General-purpose optical measurement

### ■ Absolute maximum ratings (T<sub>a</sub>=25 °C)

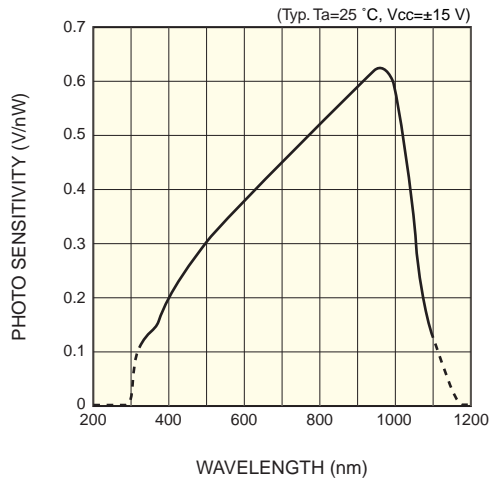
Parameter	Symbol	Value	Unit
Supply voltage (op amp)	V <sub>cc</sub>	±20	V
Power dissipation	P	500	mW
Operating temperature	T <sub>opr</sub>	-20 to +60	°C
Storage temperature	T <sub>stg</sub>	-20 to +80	°C

### ■ Electrical and optical characteristics (T<sub>a</sub>=25 °C, V<sub>cc</sub>=±15 V, R<sub>L</sub>=1 MΩ)

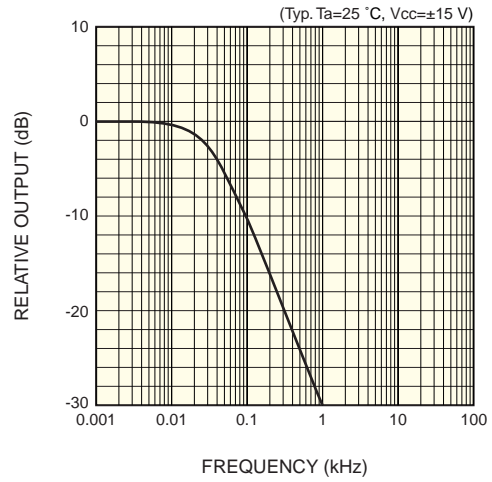
Parameter	Symbol	Condition	S9269			S9270			Unit
			Min.	Typ.	Max.	Min.	Typ.	Max.	
Spectral response range	λ		-	320 to 1100	-	-	320 to 1100	-	nm
Peak sensitivity wavelength	λ <sub>p</sub>		-	960	-	-	960	-	nm
Feed back resistance (built-in) *	R <sub>f</sub>		-	1	-	-	1	-	GΩ
Feed back capacitance (built-in) *	C <sub>f</sub>		-	5	-	-	5	-	pF
Photo sensitivity	S	λ=λ <sub>p</sub>	0.5	0.62	-	0.5	0.62	-	V/nW
Output noise voltage	V <sub>n</sub>	Dark state, f=10 Hz	-	7.3	-	-	9.7	-	μVrms/Hz <sup>1/2</sup>
		Dark state, f=20 Hz	-	6.5	-	-	9.1	-	
Noise equivalent power	NEP	λ=λ <sub>p</sub> , f=10 Hz	-	12	-	-	16	-	fW/Hz <sup>1/2</sup>
		λ=λ <sub>p</sub> , f=20 Hz	-	12	-	-	17	-	
Output offset voltage	V <sub>os</sub>	Dark state	-	±4	-	-	±4	-	mV
Cut-off frequency	f <sub>c</sub>	-3 dB	-	32	-	-	32	-	Hz
Output voltage swing	V <sub>o</sub>	R <sub>L</sub> =10 kΩ	-	13	-	-	13	-	V
Supply current	I <sub>cc</sub>	Dark state	-	0.3	0.6	-	0.3	0.6	mA

\* Custom devices available with different R<sub>f</sub>, C<sub>f</sub>, etc.

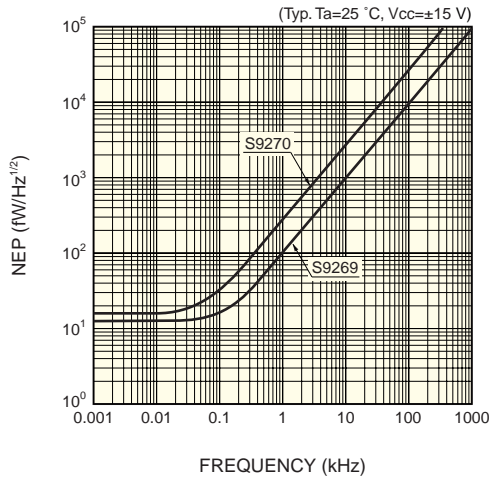
## Spectral response



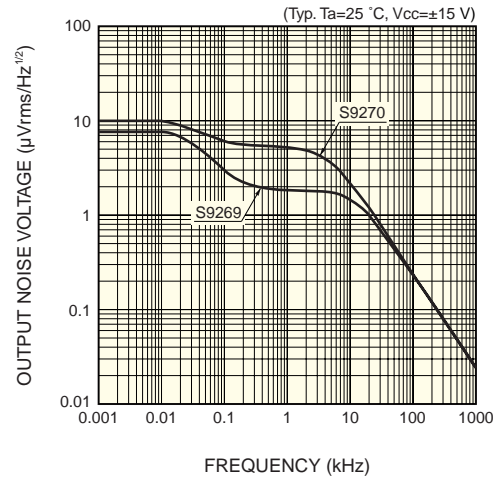
## Frequency response



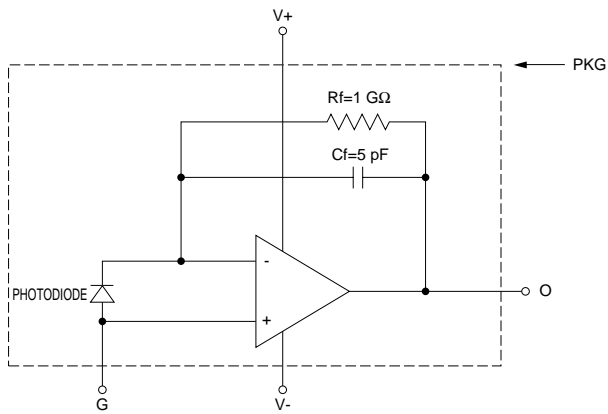
## NEP vs. frequency



## Output noise voltage vs. frequency

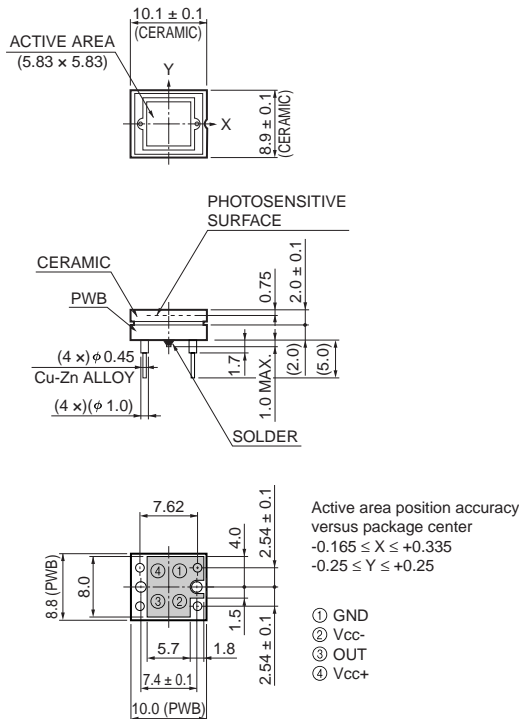


## Application circuit example

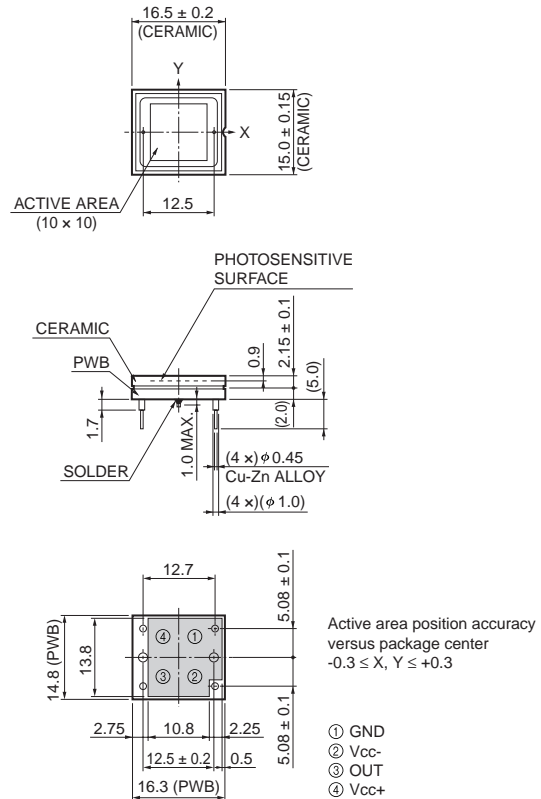


■ Dimensional outlines (unit: mm, tolerance unless otherwise noted:  $\pm 0.2$ )

① S9269



② S9270



KSPDA0160EA

KSPDA0161EA

## Precautions for use

## ● ESD

S9269, S9270 may be damaged or their performance may deteriorate by such factors as electro static discharge from the human body, surge voltages from measurement equipment, leakage voltages from soldering irons and packing materials, etc. As a countermeasure against electro static discharge, the device, operator, work place and measuring jigs must all be set at the same potential. The following precautions must be observed during use:

- To protect the device from electro static discharge which accumulate on the operator or the operator's clothes, use a wrist strap or similar tools to ground the operator's body via a high impedance resistor (1 M $\Omega$ ).
- A semiconductive sheet (1 M $\Omega$  to 100 M $\Omega$ ) should be laid on both the work table and the floor in the work area.
- When soldering, use an electrically grounded soldering iron with an isolation resistance of more than 10 M $\Omega$ .
- For containers and packing, use of a conductive material or aluminum foil is effective. When using an antistatic material, use one with a resistance of 0.1 M $\Omega$ /cm<sup>2</sup> to 1 G $\Omega$ /cm<sup>2</sup>.

## ● Wiring

If electric current or voltage is applied in reverse polarity to an electronic device such as a preamplifier, this can degrade device performance or destroy the device. Always check the wiring and dimensional outline to avoid misconnection.

# HAMAMATSU

Information furnished by HAMAMATSU is believed to be reliable. However, no responsibility is assumed for possible inaccuracies or omissions. Specifications are subject to change without notice. No patent rights are granted to any of the circuits described herein. ©2004 Hamamatsu Photonics K.K.

HAMAMATSU PHOTONICS K.K., Solid State Division

1126-1 Ichino-cho, Higashi-ku, Hamamatsu City, 435-8558 Japan, Telephone: (81) 53-434-3311, Fax: (81) 53-434-5184, <http://www.hamamatsu.com>

U.S.A.: Hamamatsu Corporation: 360 Foothill Road, P.O.Box 6910, Bridgewater, N.J. 08807-0910, U.S.A., Telephone: (1) 908-231-0960, Fax: (1) 908-231-1218

Germany: Hamamatsu Photonics Deutschland GmbH: Arzbergerstr. 10, D-82211 Herrsching am Ammersee, Germany, Telephone: (49) 08152-3750, Fax: (49) 08152-2658

France: Hamamatsu Photonics France S.A.R.L.: 19, Rue du Saule Trapu, Parc du Moulin de Massy, 91882 Massy Cedex, France, Telephone: 33-(1) 69 53 71 00, Fax: 33-(1) 69 53 71 10

United Kingdom: Hamamatsu Photonics UK Limited: 2 Howard Court, 10 Tewin Road, Welwyn Garden City, Hertfordshire AL7 1BW, United Kingdom, Telephone: (44) 1707-294888, Fax: (44) 1707-325777

North Europe: Hamamatsu Photonics Norden AB: Smidesvägen 12, SE-171 41 Solna, Sweden, Telephone: (46) 8-509-031-00, Fax: (46) 8-509-031-01

Italy: Hamamatsu Photonics Italia S.R.L.: Strada della Moia, 1/E, 20020 Arese, (Milano), Italy, Telephone: (39) 02-935-81-733, Fax: (39) 02-935-81-741

Cat. No. KSPD1066E01  
Dec. 2004 DN