

Si photodiode S9219 series

Spectral response like human eye



Features

- Accurate visible-compensated filter is used
- High reliable metal package
- S9219: Metal package with BNC connector (active area: $\phi 11.3$ mm)
- S9219-01: TO-5 (active area: 3.6×3.6 mm)
- Deviation from standard spectral luminous efficiency $V(\lambda)$ *1: fs =10 % Typ.

Applications

- Photometry
- Luxmeter, etc.

■ Absolute maximum ratings

Parameter	Symbol	S9219	S9219-01	Unit
Reverse voltage	VR Max.	5	5	V
Operating temperature	Topr	-20 to +50	-40 to +50	°C
Storage temperature	Tstg	-55 to +50	-55 to +50	°C

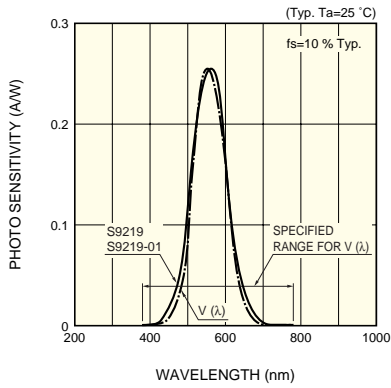
■ Electrical and optical characteristics (Ta=25 °C)

Parameter	Symbol	Condition	S9219		S9219-01		Unit
			Typ.	Max.	Typ.	Max.	
Spectral response range	λ	*2	380 to 780	-	380 to 780	-	nm
Peak sensitivity wavelength	λ_p		550	-	550	-	nm
Photo sensitivity	S	$\lambda = \lambda_p$	0.24	-	0.22	-	A/W
Short circuit current	Isc	100 lx, 2856 K	3.8	-	0.5	-	μ A
Dark current	ID	VR=10 mV	50	500	10	50	pA
Rise time	tr	VR=0 V, RL=1 k Ω	2.5	-	0.5	-	μ s
Terminal capacitance	Ct	VR=0 V, f=10 kHz	1100	-	150	-	pF

*1: Standard spectral luminous efficiency $V(\lambda)$: wavelength response of the human eye. The extent of deviation from $V(\lambda)$ is indicated as fs (%).

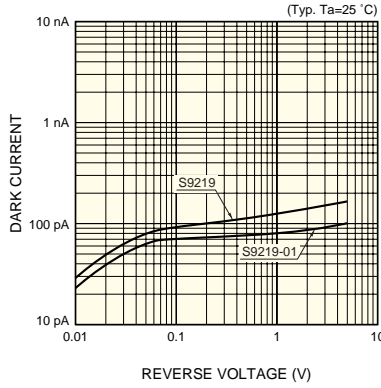
*2: Conforms to specified range for $V(\lambda)$

■ Spectral response



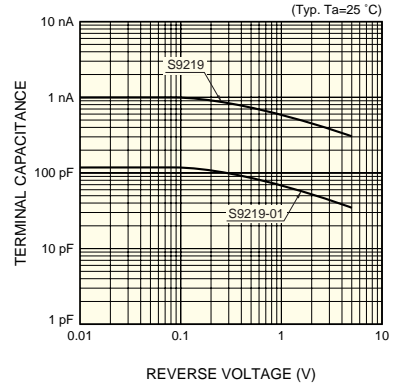
KSPDB0227EC

■ Dark current vs. reverse voltage



KSPDB0162EA

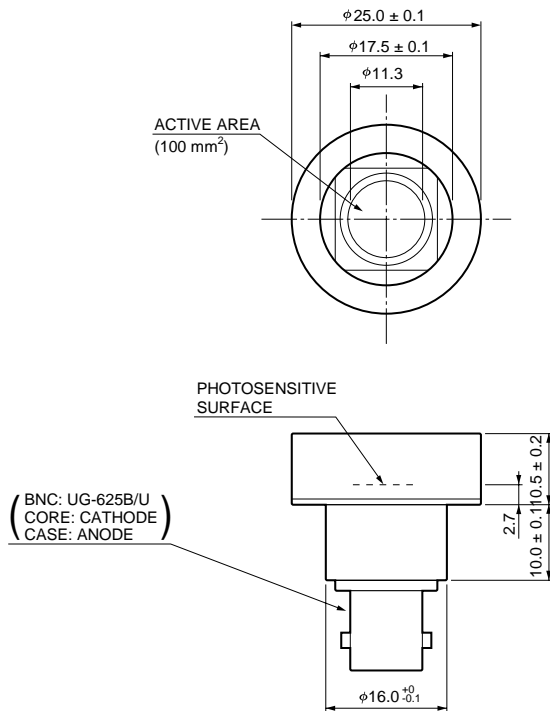
■ Terminal capacitance vs. reverse voltage



KSPDB0163EB

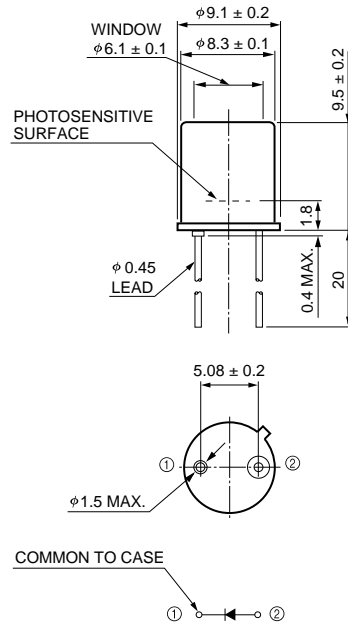
■ Dimensional outlines (unit: mm)

S9219



KSPDA0077EA

S9219-01



KSPDA0078EA

HAMAMATSU

Information furnished by HAMAMATSU is believed to be reliable. However, no responsibility is assumed for possible inaccuracies or omissions. Specifications are subject to change without notice. No patent rights are granted to any of the circuits described herein. ©2005 Hamamatsu Photonics K.K.

HAMAMATSU PHOTONICS K.K., Solid State Division

1126-1 Ichino-cho, Higashi-ku, Hamamatsu City, 435-8558 Japan, Telephone: (81) 53-434-3311, Fax: (81) 53-434-5184, <http://www.hamamatsu.com>

U.S.A.: Hamamatsu Corporation, 360 Foothill Road, P.O.Box 6910, Bridgewater, N.J. 08807-0910, U.S.A., Telephone: (1) 908-231-0960, Fax: (1) 908-231-1218

Germany: Hamamatsu Photonics Deutschland GmbH, Arzbergerstr. 10, D-82211 Herrsching am Ammersee, Germany, Telephone: (49) 08152-3750, Fax: (49) 08152-2658

France: Hamamatsu Photonics France S.A.R.L.: 19, Rue du Saule Trapu, Parc du Moulin de Massy, 91882 Massy Cedex, France, Telephone: 33-(1) 69 53 71 00, Fax: 33-(1) 69 53 71 10

United Kingdom: Hamamatsu Photonics UK Limited, 2 Howard Court, 10 Tewin Road, Welwyn Garden City, Hertfordshire AL7 1BW, United Kingdom, Telephone: (44) 1707-294888, Fax: (44) 1707-325777

North Europe: Hamamatsu Photonics Norden AB, Smidesvägen 12, SE-171 41 Solna, Sweden, Telephone: (46) 8-509-031-00, Fax: (46) 8-509-031-01

Italy: Hamamatsu Photonics Italia S.R.L.: Strada della Moia, 1/E, 20020 Arese, (Milano), Italy, Telephone: (39) 02-935-81-733, Fax: (39) 02-935-81-741