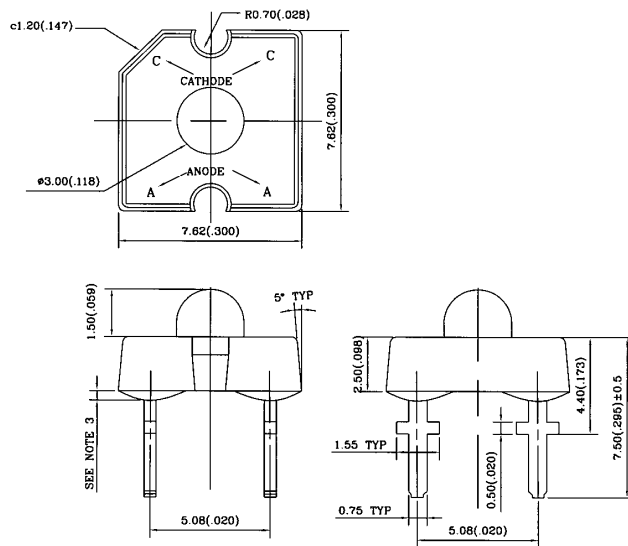
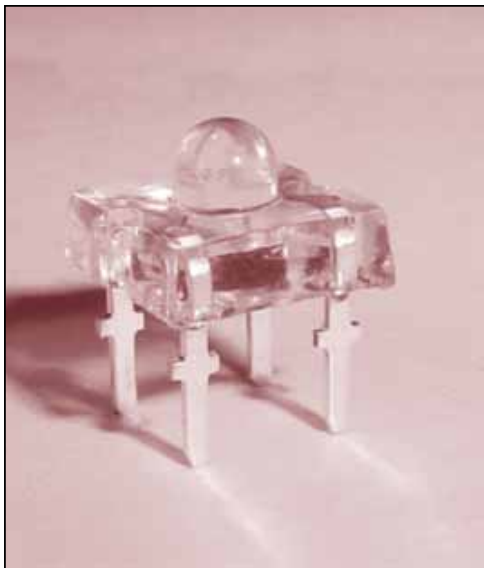


Part No.	Chip		IF (Forward Current)	Wave Length λ_p (nm)	Electro-Optical Characteristics			View Angle (deg)
	Raw Material	Emitted Color			Vf(V)20mA		Φ_v (mIm)	
					Typ.	Max.	Typ(IF)	
L-9351VW5C	GaN	White	30	/	3.5	4.0	2600	50
L-9351UW5C	GaN	White	30	/	3.5	4.0	1800	50
L-9351VB5C	GaN	Blue	30	470	3.5	4.0	2200	50
L-9351UB5C	GaN	Blue	30	470	3.5	4.0	1400	50
L-9351LPG4C	GaN	Ultra Pure Green	30	528	3.7	4.0	2000	50
L-9351SPG4C	GaN	Ultra Pure Green	30	508	3.7	4.0	2000	50
L-9351VE2C	GaAlInP	Ultra Orange	70	626	2.2	2.8	3500	50
L-9351VEC	GaAlInP	Ultra Orange	50	625	2.2	2.6	1600	50
L-9351HURC	GaAlInP	Ultra Red	50	633	2.0	2.5	3500	50
L-9351VY2C	GaAlInP	Ultra Yellow	70	590	2.25	2.8	3500	50
L-9351VYC	GaAlInP	Ultra Yellow	50	594	2.0	2.6	1500	50
L-9352VW5C	GaN	White	30	/	3.5	4.0	2500	40
L-9352UW5C	GaN	White	30	/	3.5	4.0	2000	40
L-9352VB5C	GaN	Blue	30	470	3.5	4.0	2500	40
L-9352UB5C	GaN	Blue	30	470	3.5	4.0	1500	40
L-9352LPG4C	GaN	Ultra Pure Green	30	528	3.7	4.0	1800	40
L-9352SPG4C	GaN	Ultra Pure Green	30	508	3.7	4.0	1900	40
L-9352VE2C	GaAlInP	Ultra Orange	70	626	2.2	2.8	4500	40
L-9352VEC	GaAlInP	Ultra Orange	50	625	2.2	2.6	1800	40
L-9352HURC	GaAlInP	Super Red	50	633	2.0	2.5	2500	40
L-9352VY2C	GaAlInP	Ultra Yellow	70	590	2.25	2.8	2800	40
L-9352VYC	GaAlInP	Ultra Yellow	50	594	2.0	2.6	1800	40

- 1.All dimension are in millimeters (inches).
- 2.Tolerance is ± 0.25 mm (0.01") unless otherwise specified.



Part No.	Chip		IF (Forward Current)	Wave Length λ p(nm)	Electro-Optical Characteristics			View Angle (deg)
	Raw Material	Emitted Color			Vf(V)20mA		Φ_v (mlm)	
					Typ.	Max.	Typ(IF)	
L-9451VW5C	GaInN	White	30	/	3.5	4.0	1500	90
L-9451UW5C	GaInN	White	30	/	3.5	4.0	1200	90
L-9451VB5C	GaInN	Blue	30	470	3.5	4.0	900	90
L-9451UB5C	GaInN	Blue	30	470	3.5	4.0	800	90
L-9451LPG4C	GaInN	Ultra Pure Green	30	528	3.7	4.0	2200	90
L-9451SPG4C	GaInN	Ultra Pure Green	30	508	3.7	4.0	1200	90
L-9451VE2C	GaInN	Ultra Orange	70	626	2.2	2.8	4500	90
L-9451VEC	GaAlInP	Ultra Orange	50	625	2.2	2.6	2500	90
L-9451HURC	GaAlInP	Ultra Red	50	633	2.0	2.5	3000	90
L-9451VY2C	GaAlInP	Ultra Yellow	70	590	2.25	2.8	2300	90
L-9451VYC	GaAlInP	Ultra Yellow	50	594	2.0	2.6	800	90
L-9452VW5C	GaInN	White	30	/	3.5	4.0	4000	65
L-9452UW5C	GaInN	White	30	/	3.5	4.0	3200	65
L-9452VB5C	GaInN	Blue	30	470	3.5	4.0	2800	65
L9452UB5C	GaInN	Blue	30	470	3.5	4.0	1800	65
L-9452LPG4C	GaInN	Ultra Pure Green	30	528	3.7	4.0	2000	65
L-9452SPG4C	GaInN	Ultra Pure Green	30	508	3.7	4.0	2300	65
L-9452VE2C	GaAlInP	Ultra Orange	70	626	2.2	2.8	5500	65
L-9452VEC	GaAlInP	Ultra Orange	50	625	2.2	2.6	2500	65
L-9452HURC	GaAlInP	Ultra Red	50	633	2.0	2.5	1600	65
L-9452VY2C	GaAlInP	Ultra Yellow	70	590	2.25	2.8	2800	65
L-9452VYC	GaAlInP	Ultra Yellow	50	594	2.0	2.6	2000	65

- 1.All dimension are in millimeters (inches).
- 2.Tolerance is ± 0.25 mm (0.01") unless otherwise specified.