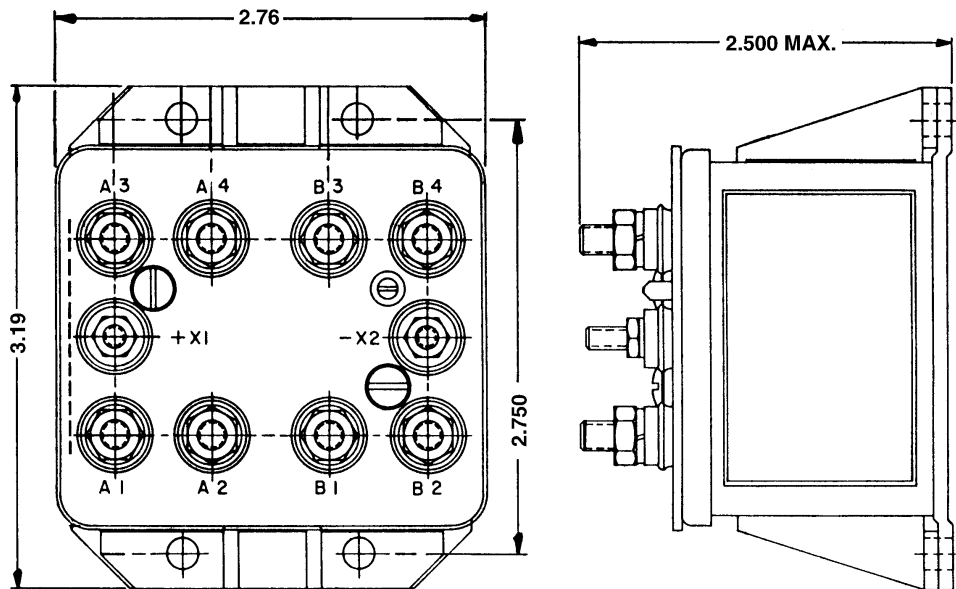


**DH-7KC-1 4PST 2 N.O. & 2 N.C.,  
50 Amps, 28 VDC**



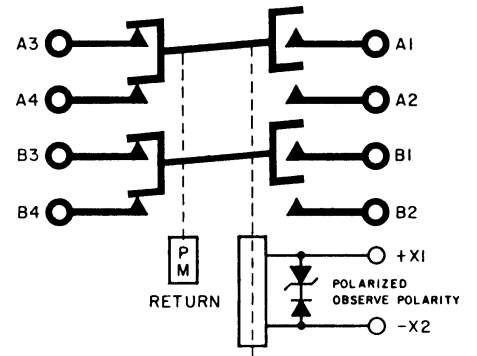
**Features:**

- 4PST Main Contacts
- Transient Suppression
- Mechanically Interlocked
- Hermetically Sealed
- 28 VDC
- 50 Amps
- High Reliability
- Meets many requirements of MIL-R-6106
- Light Weight Construction



Dimensions for this product are expressed in inches.  
Multiply values by 25.4 for millimeters.

**CONTACTOR CONFIGURATION**



Notes:

**PRODUCT SPECIFICATIONS**

Construction	Hermetically Sealed
Main Contacts:	
Configuration	4PST 2 N.O. & 2 N.C.
Voltage (Nominal)	28 VDC
Current (Resistive)	50 Amps
Coil Data:	
Duty Cycle	Continuous
Voltage (Nominal)	28 VDC
Pick-Up Voltage	18 VDC Maximum
Drop-Out Voltage	1.5 - 7.0 Volts
Coil Current @ 28 VDC & +25°C	280 Milliampères Maximum
Operating Temperature	-55°C to +71°C
Life:	
Electrical	50,000 Cycles
Mechanical	100,000 Cycles
Weight Maximum	15 Oz.

For factory-direct application assistance, contact the HARTMAN product team at (419) 521-9500, Fax (419) 526-2749.

© 2004 by Tyco Electronics Corporation. All Rights Reserved.  
HARTMAN and TYCO are trademarks.

Catalog (web doc only)  
Revised 5-04

www.tycoelectronics.com

Dimensions are in inches and millimeters unless otherwise specified. Values in brackets are metric equivalents.

Dimensions are shown for reference purposes only. Specifications subject to change.

USA: 1-800-522-6752  
Canada: 1-905-470-4425  
Mexico: 01-800-733-8926  
C. America: 52-55-5-729-0425

South America: 55-11-3611-1514  
Hong Kong: 852-2735-1628  
Japan: 81-44-844-8013  
UK: 44-141-810-8967