

April 2000

Advance Information

1.0 Features

- 27MHz master clock input
- Generated audio system clocks
 SCKO1 : 33.8688MHz (fixed)
 SCKO2 : 256 x F_s
 SCKO3 : 384 x F_s
 SCKO4 : 768 x F_s
- Zero ppm synthesis error on all output clocks
- Low cycle-to-cycle and cumulative clock jitter
- Multiple sampling frequencies:
 F_s = 32, 44.1, 48, 64, 88.2, and 96KHz
 (@ 256x, 384x, and 768x F_s)
 F_s = 128, 176.4, and 192KHz
 (@ 256x and 384x F_s)
- Backward-compatible with PLL1700
- 3.3V logic interface
- Dual power supplies: +5v and +3.3v
 (contact factory for +3.3 volt only version)
- Small package: 20 pin SSOP (5.3mm)
- Custom frequency patterns and packages are available. Contact your local AMI Sales Representative for more information.

2.0 Description

The FS6217-01 is a CMOS clock generator IC designed to minimize cost and component count in digital video/audio systems.

The FS6217-01 can generate four system clocks from a single 27MHz reference frequency.

This device eliminates external components and provides the low phase jitter performance needed for high-performance digital-to-analog converters (DAC) and analog-to-digital converters (ADC).

The FS6217-01 is ideal for MPEG-2 applications which use a 27MHz master clock such as: DVD players, DVD add-on cards for multimedia PCs, digital HDTV systems, and set-top boxes.

Figure 1: Pin Configuration

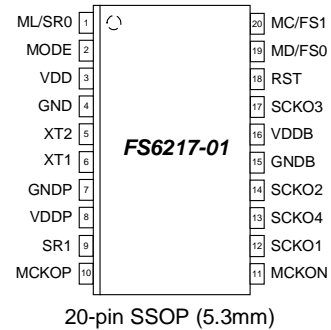


Figure 2: Block Diagram

