

## 1.0 Key Features

- Three on-chip PLLs with programmable reference and feedback dividers
- Four independently programmable muxes and post dividers
- I<sup>2</sup>C™-bus serial interface
- Programmable power-down of all PLLs and output clock drivers
- One PLL and two mux/post-divider combinations can be modified by SEL\_CD input
- Tristate outputs for board testing
- 5V to 3.3V operation
- Accepts 5MHz to 27MHz crystal resonators
- Commercial and industrial temperature ranges offered

## 2.0 Description

The FS6377 is a CMOS clock generator IC designed to minimize cost and component count in a variety of electronic systems. Three I<sup>2</sup>C-programmable phase locked loops (PLLs) feeding four programmable muxes and post dividers provide a high degree of flexibility.

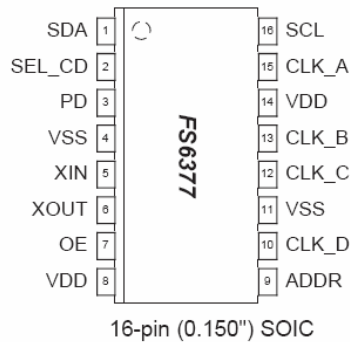


Figure 1: Pin Configuration

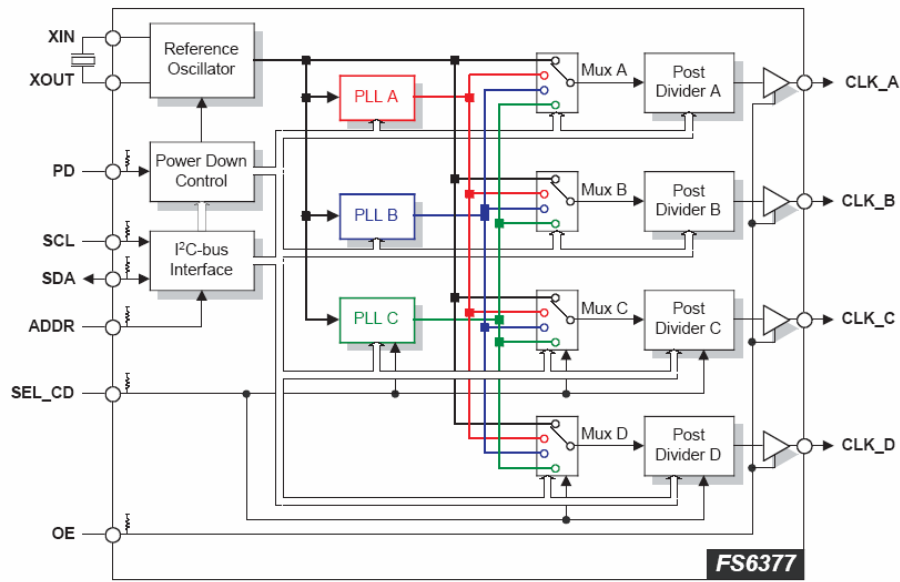


Figure 2: Block Diagram

Table 1: Pin Descriptions

| Pin | Type            | Name   | Description   |
|-----|-----------------|--------|---|
| 1   | DI <sup>O</sup> | SDA    | Serial interface data input/output                                  |
| 2   | DI <sup>U</sup> | SEL_CD | Selects one of two PLL C, mux D/C and post divider C/D combinations |
| 3   | DI <sup>U</sup> | PD     | Power-down input  |
| 4   | P               | VSS    | Ground  |
| 5   | AI              | XIN    | Crystal oscillator input  |
| 6   | AO              | XOUT   | Crystal oscillator output   |
| 7   | DI <sup>U</sup> | OE     | Output enable input   |
| 8   | P               | VDD    | Power supply (5V to 3.3V)   |
| 9   | DI <sup>U</sup> | ADDR   | Address select  |
| 10  | DO              | CLK_D  | D clock output  |
| 11  | P               | VSS    | Ground  |
| 12  | DO              | CLK_C  | C clock output  |
| 13  | DO              | CLK_B  | B clock output  |
| 14  | P               | VDD    | Power supply (5V to 3.3V)   |
| 15  | DO              | CLK_A  | A clock output  |
| 16  | DI <sup>U</sup> | SCL    | Serial interface clock output                                       |

Key: AI: Analog Input; AO = Analog Output; DI = Digital Input; DI<sup>U</sup> = Input with Internal Pull-up; DI<sup>D</sup> = Input with Internal Pull-down; DIO = Digital Input/Output; DI-3 = Three-level Digital Input; DO = Digital Output; P = Power/Ground; # = Active Low Pin

## 3.0 Functional Block Description

### 3.1 Phase Locked Loops (PLLs)

Each of the three on-chip PLLs is a standard phase- and frequency-locked loop architecture that multiplies a reference frequency to a desired frequency by a ratio of integers. This frequency multiplication is exact.

As shown in Figure 3, each PLL consists of a reference divider, a phase-frequency detector (PFD), a charge pump, an internal loop filter, a voltage-controlled oscillator (VCO), and a feedback divider.

During operation, the reference frequency ( $f_{REF}$ ), generated by the on-board crystal oscillator, is first reduced by the reference divider. The divider value is called the "modulus," and is denoted as  $N_R$  for the reference divider. The divided reference is then fed into the PFD.

The PFD controls the frequency of the VCO ( $f_{VCO}$ ) through the charge pump and loop filter. The VCO provides a high speed, low noise, continuously variable frequency clock source for the PLL. The output of the VCO is fed back to the PFD through the feedback divider (the modulus is denoted by  $N_F$ ) to close the loop.

The PFD will drive the VCO up or down in frequency until the divided reference frequency and the divided VCO frequency appearing at the inputs of the PFD are equal. The input/output relationship between the reference frequency and the VCO frequency is:

$$f_{VCO} = f_{REF} \left( \frac{N_F}{N_R} \right)$$

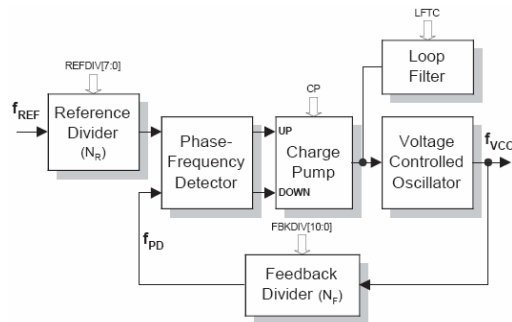


Figure 3: PLL Diagram

#### 3.1.1. Reference Divider

The reference divider is designed for low phase jitter. The divider accepts the output of the reference oscillator and provides a divided-down frequency to the PFD. The reference divider is an 8-bit divider, and can be programmed for any modulus from 1 to 255 by programming the equivalent binary value. A divide-by-256 can also be achieved by programming the eight bits to 00h.

#### 3.1.2. Feedback Divider

The feedback divider is based on a dual-modulus prescaler technique. The technique allows the same granularity as a fully programmable feedback divider, while still allowing the programmable portion to operate at low speed. A high-speed pre-divider (also called a prescaler) is placed between the VCO and the programmable feedback divider because of the high speeds at which the VCO can operate. The dual-modulus technique insures reliable operation at any speed that the VCO can achieve and reduces the overall power consumption of the divider.

For example, a fixed divide-by-eight could be used in the feedback divider. Unfortunately, a divide-by-eight would limit the effective modulus of the entire feedback divider to multiples of eight. This limitation would restrict the ability of the PLL to achieve a desired input-frequency-to-output frequency ratio without making both the reference and feedback divider values comparatively large.

A large feedback modulus means that the divided VCO frequency is relatively low, requiring a wide loop bandwidth to permit the low frequencies. A narrow loop bandwidth tuned to high frequencies is essential to minimizing jitter; therefore, divider moduli should always be as small as possible.

To understand the operation, refer to Figure 4. The M-counter (with a modulus always equal to M) is cascaded with the dual-modulus prescaler. The A-counter controls the modulus of the prescaler. If the value programmed into the A-counter is A, the prescaler will be set to divide by N+1 for A prescaler outputs. Thereafter, the prescaler divides by N until the M-counter output resets the A-counter, and the cycle begins again. Note that N=8 and A and M are binary numbers.

Suppose that the A-counter is programmed to zero. The modulus of the prescaler will always be fixed at N; and the entire modulus of the feedback divider becomes MxN.

Next, suppose that the A-counter is programmed to a one. This causes the prescaler to switch to a divide-by-N+1 for its first divide cycle and then revert to a divide-by-N. In effect, the A-counter absorbs (or "swallows") one extra clock during the entire cycle of the feedback divider. The overall modulus is now seen to be equal to MxN+1.

This example can be extended to show that the feedback divider modulus is equal to MxN+A, where A<M.

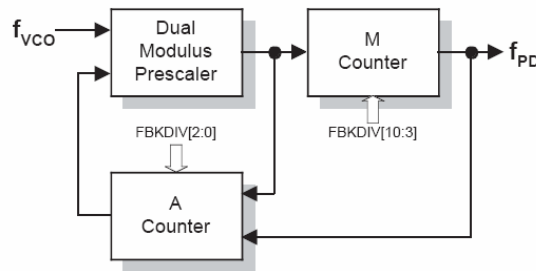


Figure 4: Feedback Divider

### 3.1.3. Feedback Divider Programming

For proper operation of the feedback divider, the A-counter must be programmed only for values that are less than or equal to the M-counter. Therefore, not all divider moduli below 56 are available for use. The selection of divider values is listed in Table 2.

Above a modulus of 56, the feedback divider can be programmed to any value up to 2047.

Table 2: Feedback Divider Modulus Under 56

| M-Counter:<br>FBKDIV[10:3] | A-Counter: FBKDIV[2:0] |     |     |     |     |     |     |     |
|----------------------------|------------------------|-----|-----|-----|-----|-----|-----|-----|
|                            | 000                    | 001 | 010 | 011 | 100 | 101 | 110 | 111 |
| 0000001                    | 8                      | 9   |     |     |     |     |     |     |
| 0000010                    | 16                     | 17  | 18  |     |     |     |     |     |
| 0000011                    | 24                     | 25  | 26  | 27  |     |     |     |     |
| 0000100                    | 32                     | 33  | 34  | 35  | 36  |     |     |     |
| 0000101                    | 40                     | 41  | 42  | 43  | 44  | 45  |     |     |
| 0000110                    | 48                     | 49  | 50  | 51  | 52  | 53  | 54  |     |
| 0000111                    | 56                     | 57  | 58  | 59  | 60  | 61  | 62  | 63  |

## Feedback Divider Modulus

### 3.2 Post Divider Muxes

As shown in Figure 2, an input mux in front of each post divider stage can select from any one of the PLL frequencies or the reference frequency. The frequency selection is done via the I<sup>2</sup>C-bus.

The input frequency on two of the four muxes (mux C and D in Figure 2) can be changed without reprogramming by a logic-level input on the SEL\_CD pin.

### 3.3 Post Dividers

The post divider performs several useful functions. First, it allows the VCO to be operated in a narrower range of speeds compared to the variety of output clock speeds that the device is required to generate. Second, it changes the basic PLL equation to

$$f_{\text{CLK}} = f_{\text{REF}} \left( \frac{N_F}{N_R} \right) \left( \frac{1}{N_P} \right)$$

where  $N_F$ ,  $N_R$  and  $N_P$  are the feedback, reference and post divider moduli respectively, and  $f_{\text{CLK}}$  and  $f_{\text{REF}}$  are the output and reference oscillator frequencies. The extra integer in the denominator permits more flexibility in the programming of the loop for many applications where frequencies must be achieved exactly.

The modulus on two of the four post dividers muxes (post dividers C and D in Figure 2) can be altered without reprogramming by a logic level on the SEL\_CD pin.

## 4.0 Device Operation

The FS6377 powers up with all internal registers cleared to zero, delivering the crystal frequency to all outputs. For operation to occur, the registers must be loaded in a most significant-bit (MSB) to least-significant-bit (LSB) order. The register mapping of the FS6377 is shown in Table 3, and I<sup>2</sup>C-bus programming information is detailed in Section 5.0.

Control of the reference, feedback and post dividers is detailed in Table 5. Selection of these dividers directly controls how fast the VCO will run. The maximum VCO speed is noted in Table 13.

### 4.1 SEL\_CD Input

The SEL\_CD pin provides a way to alter the operation of PLL C, muxes C and D and post dividers C and D without having to reprogram the device. A logic-low on the SEL\_CD pin selects the control bits with a "C1" or "D1" notation, per Table 3. A logic-high on the SEL\_CD pin selects the control bits with "C2" or "D2" notation, per Table 3.

Note that changing between two running frequencies using the SEL\_CD pin may produce glitches in the output, especially if the post-divider(s) is/are altered.

### 4.2 Power-Down and Output Enable

A logic-high on the PD pin powers down only those portions of the FS6377 which have their respective power-down control bits enabled. Note that the PD pin has an internal pull-up.

When a post divider is powered down, the associated output driver is forced low. When all PLLs and post dividers are powered down the crystal oscillator is also powered down. The XIN pin is forced low, and the XOUT pin is pulled high.

A logic-low on the OE pin tristates all output clocks. Note that this pin has an internal pull-up.

### 4.3 Oscillator Overdrive

For applications where an external reference clock is provided (and the crystal oscillator is not required), the reference clock should be connected to XOUT and XIN should be left unconnected (float).

For best results, make sure the reference clock signal is as jitter-free as possible, can drive a 40pF load with fast rise and fall times and can swing rail-to-rail.

If the reference clock is not a rail-to-rail signal, the reference must be AC coupled to XOUT through a 0.01 $\mu$ F or 0.1 $\mu$ F capacitor. A minimum 1V peak-to-peak signal is required to drive the internal differential oscillator buffer.

## 5.0 I<sup>2</sup>C-bus Control Interface

---

This device is a read/write slave device meeting all Philips I<sup>2</sup>C-bus specifications except a "general call." The bus has to be controlled by a master device that generates the serial clock SCL, controls bus access and generates the START and STOP conditions while the device works as a slave. Both master and slave can operate as a transmitter or receiver, but the master device determines which mode is activated. A device that sends data onto the bus is defined as the transmitter, and a device receiving data as the receiver.

I<sup>2</sup>C-bus logic levels noted herein are based on a percentage of the power supply ( $V_{DD}$ ). A logic-one corresponds to a nominal voltage of  $V_{DD}$ , while a logic-zero corresponds to ground ( $V_{SS}$ ).

### 5.1 Bus Conditions

Data transfer on the bus can only be initiated when the bus is not busy. During the data transfer, the data line (SDA) must remain stable whenever the clock line (SCL) is high. Changes in the data line while the clock line is high will be interpreted by the device as a START or STOP condition. The following bus conditions are defined by the I<sup>2</sup>C-bus protocol.

#### 5.1.1. Not Busy

Both the data (SDA) and clock (SCL) lines remain high to indicate the bus is not busy.

#### 5.1.2. START Data Transfer

A high to low transition of the SDA line while the SCL input is high indicates a START condition. All commands to the device must be preceded by a START condition.

#### 5.1.3. STOP Data Transfer

A low to high transition of the SDA line while SCL is held high indicates a STOP condition. All commands to the device must be followed by a STOP condition.

#### 5.1.4. Data Valid

The state of the SDA line represents valid data if the SDA line is stable for the duration of the high period of the SCL line after a START condition occurs. The data on the SDA line must be changed only during the low period of the SCL signal. There is one clock pulse per data bit.

Each data transfer is initiated by a START condition and terminated with a STOP condition. The number of data bytes transferred between START and STOP conditions is determined by the master device, and can continue indefinitely. However, data that is

overwritten to the device after the first sixteen bytes will overflow into the first register, then the second, and so on, in a first-in, first-overwritten fashion.

### 5.1.5. Acknowledge

When addressed, the receiving device is required to generate an acknowledge after each byte is received. The master device must generate an extra clock pulse to coincide with the acknowledge bit. The acknowledging device must pull the SDA line low during the high period of the master acknowledge clock pulse. Setup and hold times must be taken into account.

The master must signal an end of data to the slave by not generating an acknowledge bit on the last byte that has been read (clocked) out of the slave. In this case, the slave must leave the SDA line high to enable the master to generate a STOP condition.

## 5.2 I<sup>2</sup>C-bus Operation

All programmable registers can be accessed randomly or sequentially via this bi-directional two wire digital interface. The device accepts the following I<sup>2</sup>C-bus commands.

### 5.2.1. Slave Address

After generating a START condition, the bus master broadcasts a seven-bit slave address followed by a R/W bit. The address of the device is:

| A6 | A5 | A4 | A3 | A2 | A1 | A0 |
|----|----|----|----|----|----|----|
| 1  | 0  | 1  | 1  | X  | 0  | 0  |

where X is controlled by the logic level at the ADDR pin.

The variable ADDR bit allows two different devices to exist on the same bus. Note that every device on an I<sup>2</sup>C-bus must have a unique address to avoid bus conflicts. The default address sets A2 to one via the pull-up on the ADDR pin.

### 5.2.2. Random Register Write Procedure

Random write operations allow the master to directly write to any register. To initiate a write procedure, the R/W bit that is transmitted after the seven-bit device address is a logic-low. This indicates to the addressed slave device that a register address will follow after the slave device acknowledges its device address. The register address is written into the slave's address pointer. Following an acknowledge by the slave, the master is allowed to write eight bits of data into the addressed register. A final acknowledge is returned by the device, and the master generates a STOP condition.

If either a STOP or a repeated START condition occurs during a register write, the data that has been transferred is ignored.

### 5.2.3. Random Register Read Procedure

Random read operations allow the master to directly read from any register. To perform a read procedure, the R/W bit that is transmitted after the seven-bit address is a logic-low, as in the register write procedure. This indicates to the addressed slave device that a register address will follow after the slave device acknowledges its device address. The register address is then written into the slave's address pointer.

Following an acknowledge by the slave, the master generates a repeated START condition. The repeated START terminates the write procedure, but not until after the slave's address pointer is set. The slave address is then resent, with the R/W bit set this time to a logic-high, indicating to the slave that data will be read. The slave will acknowledge the device address, and then transmits the eight-bit word. The master does not acknowledge the transfer but does generate a STOP condition.

## 5.2.4. Sequential Register Write Procedure

Sequential write operations allow the master to write to each register in order. The register pointer is automatically incremented after each write. This procedure is more efficient than the random register write if several registers must be written.

To initiate a write procedure, the R/W bit that is transmitted after the seven-bit device address is a logic-low. This indicates to the addressed slave device that a register address will follow after the slave device acknowledges its device address. The register address is written into the slave's address pointer. Following an acknowledge by the slave, the master is allowed to write up to sixteen bytes of data into the addressed register before the register address pointer overflows back to the beginning address. An acknowledge by the device between each byte of data must occur before the next data byte is sent.

Registers are updated every time the device sends an acknowledge to the host. The register update does not wait for the STOP condition to occur. Registers are therefore updated at different times during a sequential register write.

## 5.2.5. Sequential Register Read Procedure

Sequential read operations allow the master to read from each register in order. The register pointer is automatically incremented by one after each read. This procedure is more efficient than the random register read if several registers must be read.

To perform a read procedure, the R/W bit that is transmitted after the seven-bit address is a logic-low, as in the register write procedure. This indicates to the addressed slave device that a register address will follow after the slave device acknowledges its device address. The register address is then written into the slave's address pointer.

Following an acknowledge by the slave, the master generates a repeated START condition. The repeated START terminates the write procedure, but not until after the slave's address pointer is set. The slave address is then resent, with the R/W bit set this time to a logic-high, indicating to the slave that data will be read. The slave will acknowledge the device address, and then transmits all 16 bytes of data starting with the initial addressed register. The register address pointer will overflow if the initial register address is larger than zero. After the last byte of data, the master does not acknowledge the transfer but does generate a STOP condition.



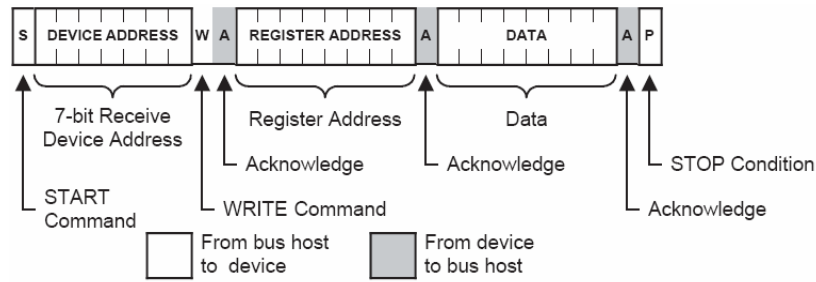


Figure 5: Random Register Write Procedure

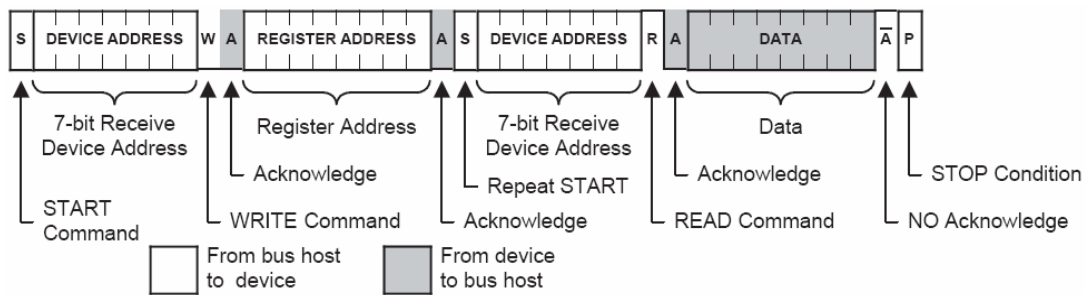


Figure 6: Random Register Read Procedure

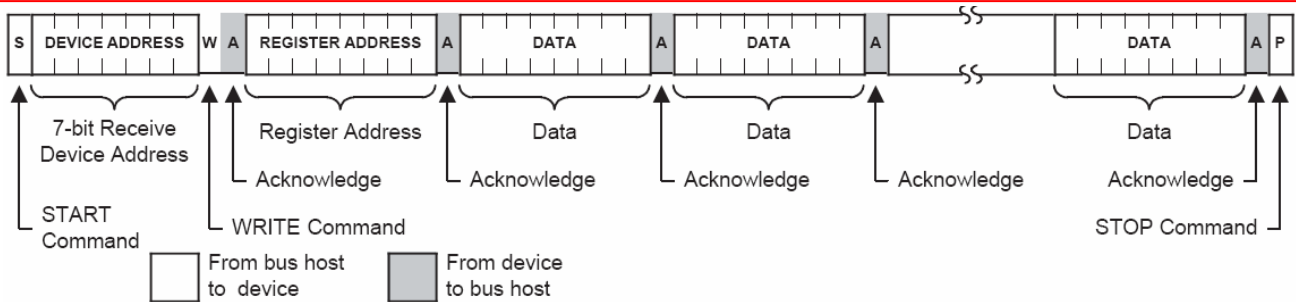


Figure 7: Sequential Register Write Procedure

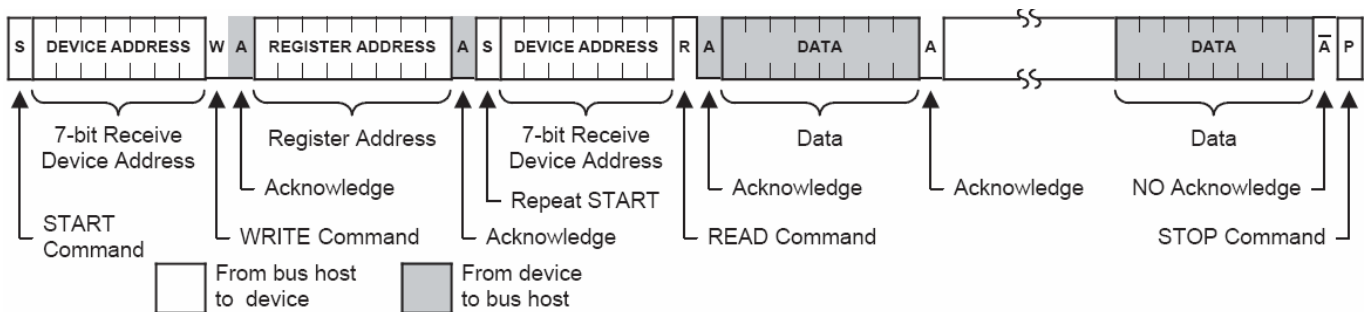


Figure 8: Sequential Register Read Procedure

## 6.0 Programming Information

Table 3: Register Map

| Address | BIT 7   | BIT 6 | BIT 5                                    | BIT 4                   | BIT 3                                     | BIT 2  | BIT 1    | BIT 0    |
|---------|---|-------|--|-------------------------|---|--|----------|----------|
| Byte 15 | MUX_D2[1:0]<br>(selected via SEL_CD = 1)                  |       | MUX_C2[1:0]<br>(selected via SEL_CD = 1) |                         | PDPOST_D                                  | PDPOST_C   | PDPOST_B | PDPOST_A |
| Byte 14 | POST_D2[3:0]<br>(selected via SEL_CD = 1)                 |       |  |                         | POST_C2[3:0]<br>(selected via SEL_CD = 1) |  |          |          |
| Byte 13 | POST_D1[3:0]<br>(selected via SEL_CD = 0)                 |       |  |                         | POST_C1[3:0]<br>(selected via SEL_CD = 0) |  |          |          |
| Byte 12 | POST_B[3:0]   |       |  |                         | POST_A[3:0]                               |  |          |          |
| Byte 11 | MUX_D1[1:0]<br>(selected via SEL_CD = 0)                  |       | Reserved (0)                             | LFTC_C2<br>(SEL_CD = 1) | CP_C2<br>(SEL_CD = 1)                     | FBKDIV_D2[10:8] M-Counter<br>(selected via SEL_CD pin = 1) |          |          |
| Byte 10 | FBKDIV_C2[7:3] M-Counter<br>(selected via SEL_CD pin = 1) |       |  |                         |   | FBKDIV_C2[2:0] A-Counter<br>(selected via SEL_CD pin = 1)  |          |          |
| Byte 9  | REFDIV_C2[7:0]<br>(selected via SEL_CD pin = 1)           |       |  |                         |   |  |          |          |
| Byte 8  | MUX_C1[1:0]<br>(selected via SEL_CD = 0)                  |       | PDPLL_C                                  | LFTC_C1<br>(SEL_CD = 0) | CP_C1<br>(SEL_CD = 0)                     | FBKDIV_c1[10:8] M-Counter<br>(selected via SEL_CD = 0)     |          |          |
| Byte 7  | FBKDIV_C1[7:3] M-Counter<br>(selected via SEL_CD = 0)     |       |  |                         |   | FBKDIV_C1[2:0] A-Counter<br>(selected via SEL_CD = 1)      |          |          |
| Byte 6  | REFDIV_C1[7:0]<br>(selected via SEL_CD = 0)               |       |  |                         |   |  |          |          |
| Byte 5  | MUX_B[1:0]  |       | PDPLL_B                                  | LFTC_B                  | CP_B                                      | FBKDIV_B[10:8] M-Counter                                   |          |          |
| Byte 4  | FBKDIV_B[7:3] M-Counter                                   |       |  |                         |   | FBKDIV_B[2:0] A-Counter                                    |          |          |
| Byte 3  | REFDIV_B[7:0]   |       |  |                         |   |  |          |          |
| Byte 2  | MUX_A[1:0]  |       | PDPLL_A                                  | LFTC_A                  | CP_A                                      | FBKDIV_A[10:8] M-Counter                                   |          |          |
| Byte 1  | FBKDIV_A[7:3] M-Counter                                   |       |  |                         |   | FBKDIV_A[2:0] A-Counter                                    |          |          |
| Byte 0  | REFDIV_A[7:0]   |       |  |                         |   |  |          |          |

**Note:** All register bits are cleared to zero on power-up.

### 6.1 Control Bit Assignment

If any PLL control bit is altered during device operation, including those bits controlling the reference and feedback dividers, the output frequency will slew smoothly (in a glitch-free manner) to the new frequency. The slew rate is related to the programmed loop filter time constant.

However, any programming changes to any mux or post divider control bits will cause a glitch on an operating clock output.

## 6.2 Power-Down

All power-down functions are controlled by enable bits. The bits select which portions of the device to power-down when the PD input is asserted.

Table 4: Power-Down Bits

| Name                             | Description                         |           |
|----------------------------------|-------------------------------------|-----------|
| <b>Power-Down PLL A</b>          |                                     |           |
| <b>PDPLL_A</b><br>(Bit 21)       | Bit = 0                             | Power on  |
|                                  | Bit = 1                             | Power off |
| <b>Power-Down PLL B</b>          |                                     |           |
| <b>PDLL_B</b><br>(Bit 45)        | Bit = 0                             | Power on  |
|                                  | Bit = 1                             | Power off |
| <b>Power-Down PLL C</b>          |                                     |           |
| <b>PDLL_C</b><br>(Bit 69)        | Bit = 0                             | Power on  |
|                                  | Bit = 1                             | Power off |
| Reserved (0)<br>(Bit 69)         | Set these reserved bits to zero (0) |           |
| <b>Power-Down POST Divider A</b> |                                     |           |
| <b>PDPOSTA</b><br>(Bit 120)      | Bit = 0                             | Power on  |
|                                  | Bit = 1                             | Power off |
| <b>Power-Down POST Divider B</b> |                                     |           |
| <b>PDPOSTB</b><br>(Bit 121)      | Bit = 0                             | Power on  |
|                                  | Bit = 1                             | Power off |
| <b>Power-Down POST Divider C</b> |                                     |           |
| <b>PDPOSTC</b><br>(Bit 122)      | Bit = 0                             | Power on  |
|                                  | Bit = 1                             | Power off |
| <b>Power-Down POST Divider D</b> |                                     |           |
| <b>PDPOSTD</b><br>(Bit 123)      | Bit = 0                             | Power on  |
|                                  | Bit = 1                             | Power off |

Table 5: Divider Control Bits

| Name   | Description   |                 |
|--|---|-----------------|
| <b>REFDIV_A[7:0]</b><br>(Bits 7-0)   | Reference Divider A ( $N_R$ )   |                 |
| <b>REFDIV_B[7:0]</b><br>(Bits 31-24)   | Reference Divider B ( $N_R$ )   |                 |
| <b>REFDIV_C1[7:0]</b><br>(Bits 55-48)  | Reference Divider C1 ( $N_R$ )<br><i>selected when the SEL_CD pin = 0</i> |                 |
| <b>REFDIV_C2[7:0]</b><br>(Bits 79-72)  | Reference Divider C2 ( $N_R$ )<br><i>selected when the SEL_CD pin = 1</i> |                 |
| <b>Feedback Divider A (<math>N_F</math>)</b>   |   |                 |
| <b>FBKDIV_A[10:0]</b><br>(Bits 18-8)   | FBKDIV_A[2:0]   | A-Counter value |
|  | FBKDIV_A[10:3]  | M-Counter value |
| <b>Feedback Divider B (<math>N_F</math>)</b>   |   |                 |
| <b>FBKDIV_B[10:0]</b><br>(Bits 42-32)  | FBKDIV_B[2:0]   | A-Counter value |
|  | FBKDIV_B[10:3]  | M-Counter value |
| <b>Feedback Divider C1 (<math>N_F</math>)</b><br><i>selected when the SEL_CD pin = 0</i> |   |                 |
| <b>FBKDIV_C1[10:0]</b><br>(Bits 66-56)   | FBKDIV_C1[2:0]  | A-Counter value |
|  | FBKDIV_C1[10:3]   | M-Counter value |
| <b>Feedback Divider C2 (<math>N_F</math>)</b><br><i>selected when the SEL_CD pin = 1</i> |   |                 |
| <b>FBKDIV_C2[10:0]</b><br>(Bits 90-80)   | FBKDIV_C2[2:0]  | A-Counter value |
|  | FBKDIV_C2[10:3]   | M-Counter value |

Table 6: Divider Control Bits

| Name                                  | Description  |
|---------------------------------------|--|
| <b>POST_A[3:0]</b><br>(Bits 99-96)    | POST divider A (see Table 7)   |
| <b>POST_B[3:0]</b><br>(Bits 103-100)  | POST divider B (see Table 7)   |
| <b>POST_C1[3:0]</b><br>(Bits 107-104) | POST divider C1 (see Table 7)<br><i>selected when the SEL_CD pin = 0</i> |
| <b>POST_C2[3:0]</b><br>(Bits 115-112) | POST divider C2 (see Table 7)<br><i>selected when the SEL_CD pin = 1</i> |
| <b>POST_D1[3:0]</b><br>(Bits 111-108) | POST divider D1 (see Table 7)<br><i>selected when the SEL_CD pin = 0</i> |
| <b>POST_D2[3:0]</b><br>(Bits 119-116) | POST divider D2 (see Table 7)<br><i>selected when the SEL_CD pin = 1</i> |

Table 7: Post Divider Modulus

| BIT [3] | BIT [2] | BIT [1] | BIT [0] | Divide By |
|---------|---------|---------|---------|-----------|
| 0       | 0       | 0       | 0       | 1         |
| 0       | 0       | 0       | 1       | 2         |
| 0       | 0       | 1       | 0       | 3         |
| 0       | 0       | 1       | 1       | 4         |
| 0       | 1       | 0       | 0       | 5         |
| 0       | 1       | 0       | 1       | 6         |
| 0       | 1       | 1       | 0       | 8         |
| 0       | 1       | 1       | 1       | 9         |
| 1       | 0       | 0       | 0       | 10        |
| 1       | 0       | 0       | 1       | 12        |
| 1       | 0       | 1       | 0       | 15        |
| 1       | 0       | 1       | 1       | 16        |
| 1       | 1       | 0       | 0       | 18        |
| 1       | 1       | 0       | 1       | 20        |
| 1       | 1       | 1       | 0       | 25        |
| 1       | 1       | 1       | 1       | 50        |

Table 8: PLL Tuning Bits

| Name   | Description |                          |
|--|-------------|--------------------------|
| <b>Loop Filter Time Constant A</b>   |             |                          |
| <b>LFTC_A</b><br>(Bit 20)  | Bit = 0     | Short time constant: 7µs |
|  | Bit = 1     | Long time constant: 20µs |
| <b>Loop Filter Time Constant B</b><br><i>selected when the SEL_CD pin = 0</i>  |             |                          |
| <b>LFTC_B</b><br>(Bit 44)  | Bit = 0     | Short time constant: 7µs |
|  | Bit = 1     | Long time constant: 20µs |
| <b>Loop Filter Time Constant C1</b><br><i>selected when the SEL_CD pin = 1</i> |             |                          |
| <b>LFTC_C1</b><br>(Bit 68)   | Bit = 0     | Short time constant: 7µs |
|  | Bit = 1     | Long time constant: 20µs |
| <b>Loop Filter Time Constant C2</b>  |             |                          |
| <b>LFTC_C2</b><br>(Bit 92)   | Bit = 0     | Short time constant: 7µs |
|  | Bit = 1     | Long time constant: 20µs |
| <b>Charge Pump A</b>   |             |                          |
| <b>CP_A</b><br>(Bit 19)  | Bit = 0     | Current = 2µA            |
|  | Bit = 1     | Current = 10µA           |
| <b>Charge Pump B</b>   |             |                          |
| <b>CP_B</b><br>(Bit 43)  | Bit = 0     | Current = 2µA            |
|  | Bit = 1     | Current = 10µA           |
| <b>Charge Pump C1</b><br><i>selected when the SEL_CD pin = 0</i>               |             |                          |
| <b>CP_C1</b><br>(Bit 67)   | Bit = 0     | Current = 2µA            |
|  | Bit = 1     | Current = 10µA           |
| <b>Charge Pump C2</b><br><i>selected when the SEL_CD pin = 1</i>               |             |                          |
| <b>CP_C2</b><br>(Bit 91)   | Bit = 0     | Current = 2µA            |
|  | Bit = 1     | Current = 10µA           |

Table 9: Mux Select Bits

| Name  | Description |         |                     |
|---|-------------|---------|---------------------|
| <b>Mux A Frequency Select</b>   |             |         |                     |
| <b>MUX_A[1:0]</b><br>(Bits 23-22)   | Bit 23      | Bit 22  |                     |
|   | 0           | 0       | Reference frequency |
|   | 0           | 1       | PLL A frequency     |
|   | 1           | 0       | PLL B frequency     |
|   | 1           | 1       | PLL C frequency     |
| <b>Mux B Frequency Select</b>   |             |         |                     |
| <b>MUX_B[1:0]</b><br>(Bits 47-46)   | Bit 47      | Bit 46  |                     |
|   | 0           | 0       | Reference frequency |
|   | 0           | 1       | PLL A frequency     |
|   | 1           | 0       | PLL B frequency     |
|   | 1           | 1       | PLL C frequency     |
| <b>Mux C1 Frequency Select</b><br><i>selected when the SEL_CD pin = 0</i> |             |         |                     |
| <b>MUX_C1[1:0]</b><br>(Bits 71-70)  | Bit 71      | Bit 70  |                     |
|   | 0           | 0       | Reference frequency |
|   | 0           | 1       | PLL A frequency     |
|   | 1           | 0       | PLL B frequency     |
|   | 1           | 1       | PLL C frequency     |
| <b>Mux C2 Frequency Select</b><br><i>selected when the SEL_CD pin = 1</i> |             |         |                     |
| <b>MUX_C2[1:0]</b><br>(Bits 125-124)                                      | Bit 125     | Bit 124 |                     |
|   | 0           | 0       | Reference frequency |
|   | 0           | 1       | PLL A frequency     |
|   | 1           | 0       | PLL B frequency     |
|   | 1           | 1       | PLL C frequency     |
| <b>Mux D1 Frequency Select</b><br><i>selected when the SEL_CD pin = 0</i> |             |         |                     |
| <b>MUX_D1[1:0]</b><br>(Bits 95-94)  | Bit 95      | Bit 94  |                     |
|   | 0           | 0       | Reference frequency |
|   | 0           | 1       | PLL A frequency     |
|   | 1           | 0       | PLL B frequency     |
|   | 1           | 1       | PLL C frequency     |
| <b>Mux D2 Frequency Select</b><br><i>selected when the SEL_CD pin = 1</i> |             |         |                     |
| <b>MUX_D2[1:0]</b><br>(Bits 127-126)                                      | Bit 127     | Bit 126 |                     |
|   | 0           | 0       | Reference frequency |
|   | 0           | 1       | PLL A frequency     |
|   | 1           | 0       | PLL B frequency     |
|   | 1           | 1       | PLL C frequency     |

## 7.0 Electrical Specifications

Table 10: Absolute Maximum Ratings

| Parameter   | Symbol   | Min.           | Max.           | Units                    |
|---|----------|----------------|----------------|--------------------------|
| Supply voltage, dc ( $V_{SS} = \text{ground}$ )                         | $V_{DD}$ | $V_{SS} - 0.5$ | 7              | V                        |
| Input voltage, dc   | $V_I$    | $V_{SS} - 0.5$ | $V_{DD} + 0.5$ | V                        |
| Output voltage, dc  | $V_O$    | $V_{SS} - 0.5$ | $V_{DD} + 0.5$ | V                        |
| Input clamp current, dc ( $V_I < 0$ or $V_I > V_{DD}$ )                 | $I_{IK}$ | -50            | 50             | mA                       |
| Output clamp current, dc ( $V_I < 0$ or $V_I > V_{DD}$ )                | $I_{OK}$ | -50            | 50             | mA                       |
| Storage temperature range (non-condensing)                              | $T_S$    | -65            | 150            | °C                       |
| Ambient temperature range, under bias                                   | $T_A$    | -55            | 125            | °C                       |
| Junction temperature  | $T_J$    |                | 150            | °C                       |
| Re-flow solder profile  |          |                |                | Per IPC/JEDEC J-STD-020B |
| Input static discharge voltage protection (MIL-STD 883E, Method 3015.7) |          |                | 2              | kV                       |

Stresses above those listed under Absolute Maximum Ratings may cause permanent damage to the device. These conditions represent a stress rating only, and functional operation of the device of these or any other conditions above the operational limits noted in this specification is not implied. Exposure to maximum rating conditions for extended conditions may affect device performance, functionality and reliability.

### CAUTION: ELETROSTATIC SENSITIVE DEVICE

Permanent damage resulting in a loss of functionality or performance may occur if this device is subjected to a high-energy electrostatic discharge.

Table 11: Operating Conditions

| Parameter                           | Symbol    | Conditions/Descriptions          | Min.     | Typ.     | Max.       | Units |
|-------------------------------------|-----------|----------------------------------|----------|----------|------------|-------|
| Supply voltage                      | $V_{DD}$  | $5V \pm 10\%$<br>$3.3V \pm 10\%$ | 4.5<br>3 | 5<br>3.3 | 5.5<br>3.6 | V     |
| Ambient operating temperature range | $T_A$     | Commercial<br>Industrial         | 0<br>-40 |          | 70<br>85   | °C    |
| Crystal resonator frequency         | $f_{XIN}$ |                                  | 5        |          | 27         | MHz   |
| Crystal resonator load capacitance  | $C_{XL}$  | Parallel resonant, AT cut        |          | 18       |            | pF    |
| Serial data transfer rate           |           | Standard mode                    | 10       |          | 100        | kb/s  |
| Output driver load capacitance      | $C_L$     |                                  |          |          | 15         | pF    |

Table 12: DC Electrical Specifications

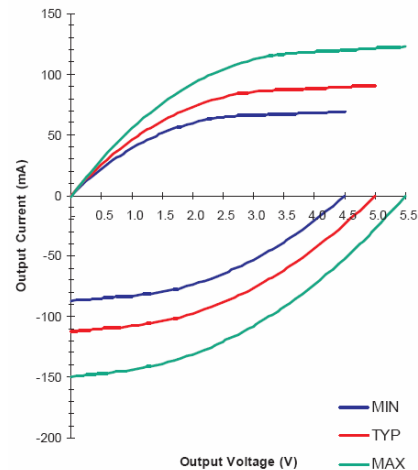
| Parameter                                      | Symbol    | Conditions/Descriptions  | Min.                             | Typ.         | Max.                             | Units |
|--|-----------|--|----------------------------------|--------------|----------------------------------|-------|
| <b>Overall</b>                                 |           |  |                                  |              |                                  |       |
| Supply current, dynamic, with load outputs     | $I_{DD}$  | $V_{DD} = 5.5V$ , $f_{CLK} = 50MHz$ , $C_L = 15pF$<br>See Figure 10 for more information |                                  | 43           |                                  | mA    |
| Supply current, static                         | $I_{DDL}$ | $V_{DD} = 5.5V$ , device powered down  |                                  | 0.3          |                                  | mA    |
| <b>Power-Down, Output Enable Pins (PD, OE)</b> |           |  |                                  |              |                                  |       |
| High-level input voltage                       | $V_{IH}$  | $V_{DD} = 5.5V$<br>$V_{DD} = 3.6V$   | 3.85<br>2.52                     |              | $V_{DD} + 0.3$<br>$V_{DD} + 0.3$ | V     |
| Low-level input voltage                        | $V_{IL}$  | $V_{DD} = 5.5V$<br>$V_{DD} = 3.6V$   | $V_{SS} - 0.3$<br>$V_{SS} - 0.3$ |              | 1.65<br>1.08                     | V     |
| Hysteresis voltage                             | $V_{hys}$ | $V_{DD} = 5.5V$<br>$V_{DD} = 3.6V$   |                                  | 2.20<br>1.44 |                                  | V     |
| High-level input current                       | $I_{IH}$  |  | -1                               |              | 1                                | μA    |
| Low-level input current (pull-up)              | $I_{IL}$  | $V_{IL} = 0V$  | -20                              | -36          | -80                              | μA    |
| <b>Serial Interface I/O (SCL, SDA)</b>         |           |  |                                  |              |                                  |       |
| High-level input voltage                       | $V_{IH}$  | $V_{DD} = 5.5V$<br>$V_{DD} = 3.6V$   | 3.85<br>2.52                     |              | $V_{DD} + 0.3$<br>$V_{DD} + 0.3$ | V     |
| Low-level input voltage                        | $V_{IL}$  | $V_{DD} = 5.5V$<br>$V_{DD} = 3.6V$   | $V_{SS} - 0.3$<br>$V_{SS} - 0.3$ |              | 1.65<br>1.08                     | V     |
| Hysteresis voltage                             | $V_{hys}$ | $V_{DD} = 5.5V$<br>$V_{DD} = 3.6V$   |                                  | 2.20<br>1.44 |                                  | V     |
| High-level input current                       | $I_{IH}$  |  | -1                               |              | 1                                | μA    |
| Low-level input current (pull-up)              | $I_{IL}$  | $V_{IL} = 0V$  | -20                              | -36          | -80                              | μA    |
| Low-level output sink current (SDA)            | $I_{OL}$  | $V_{OL} = 0.4V$ , $V_{DD} = 5.5V$  |                                  | 26           |                                  | mA    |

Table 12: DC Electrical Specifications (continued)

| Mode and Frequency Select Inputs (ADDR, SEL_CD) |                      |   |                                  |            |                                  |               |
|---|----------------------|---|----------------------------------|------------|----------------------------------|---------------|
| High-level input voltage                        | $V_{IH}$             | $V_{DD} = 5.5V$<br>$V_{DD} = 3.6V$  | 2.4<br>2.0                       |            | $V_{DD} + 0.3$<br>$V_{DD} + 0.3$ | V             |
| Low-level input voltage                         | $V_{IL}$             | $V_{DD} = 5.5V$<br>$V_{DD} = 3.6V$  | $V_{SS} - 0.3$<br>$V_{SS} - 0.3$ |            | 0.8<br>0.8                       | V             |
| High-level input current                        | $I_{IH}$             |   | -1                               |            | 1                                | $\mu A$       |
| Low-level input current (pull-up)               | $I_{IL}$             |   | -20                              | -36        | -80                              | $\mu A$       |
| Crystal Oscillator Feedback (XIN)               |                      |   |                                  |            |                                  |               |
| Threshold bias voltage                          | $V_{TH}$             | $V_{DD} = 5.5V$<br>$V_{DD} = 3.6V$  |                                  | 2.9<br>1.7 |                                  | V             |
| High-level input current                        | $I_{IH}$             | $V_{DD} = 5.5V$<br>$V_{DD} = 5.5V$ , oscillator powered down                      | 5                                |            | 15                               | $\mu A$<br>mA |
| Low-level input current                         | $I_{IL}$             | $V_{DD} = 5.5V$   | -25                              | -54        | -75                              | $\mu A$       |
| Crystal loading capacitance*                    | $C_{L(xtal)}$        | As seen by an external crystal connected to XIN and XOUT                          |                                  | 18         |                                  | pF            |
| Input loading capacitance*                      | $C_{L(XIN)}$         | As seen by an external clock driver on XOUT; XIN unconnected                      |                                  | 36         |                                  | pF            |
| Crystal Oscillator Driver (XOUT)                |                      |   |                                  |            |                                  |               |
| High-level output source current                | $I_{OH}$             | $V_{DD} = V_{(XIN)} = 5.5V$ , $V_O = 0V$  | 10                               | 21         | 30                               | mA            |
| Low-level output sink current                   | $I_{OL}$             | $V_{DD} = 5.5V$ , $V_{(XIN)} = 0V$ , $V_O = 5.5V$                                 | -10                              | -21        | -30                              | mA            |
| Clock Outputs (CLK_A, CLK_B, CLK_C, CLK_D)      |                      |   |                                  |            |                                  |               |
| High-level output source current                | $I_{OH}$             | $V_O = 2.4V$  |                                  | -125       |                                  | mA            |
| Low-level output sink current                   | $I_{OL}$             | $V_O = 0.4V$  |                                  | 23         |                                  | mA            |
| Output impedance                                | $Z_{OH}$<br>$Z_{OL}$ | $V_O = 0.5V_{DD}$ ; output driving high<br>$V_O = 0.5V_{DD}$ ; output driving low |                                  | 29<br>27   |                                  | $\Omega$      |
| Tristate output current                         | $I_Z$                |   | -10                              |            | 10                               | $\mu A$       |
| Short circuit source current*                   | $I_{SCH}$            | $V_{DD} = 5.5V$ , $V_O = 0V$ ; shorted for 30s, max.                              |                                  | -150       |                                  | mA            |
| Short circuit sink current*                     | $I_{SCL}$            | $V_{DD} = V_O = 5.5V$ ; shorted for 30s, max.                                     |                                  | 123        |                                  | mA            |

Unless otherwise stated,  $V_{DD} = 5.0V \pm 10\%$ , no load on any output, and ambient temperature range  $T_A = 0^\circ C$  to  $70^\circ C$ . Parameters denoted with an asterisk (\*) represent nominal characterization data and are not currently production tested on any specific limits. Min. and max. characterization data are  $\pm 3\sigma$  from typical. Negative currents indicate current flows out of the device.

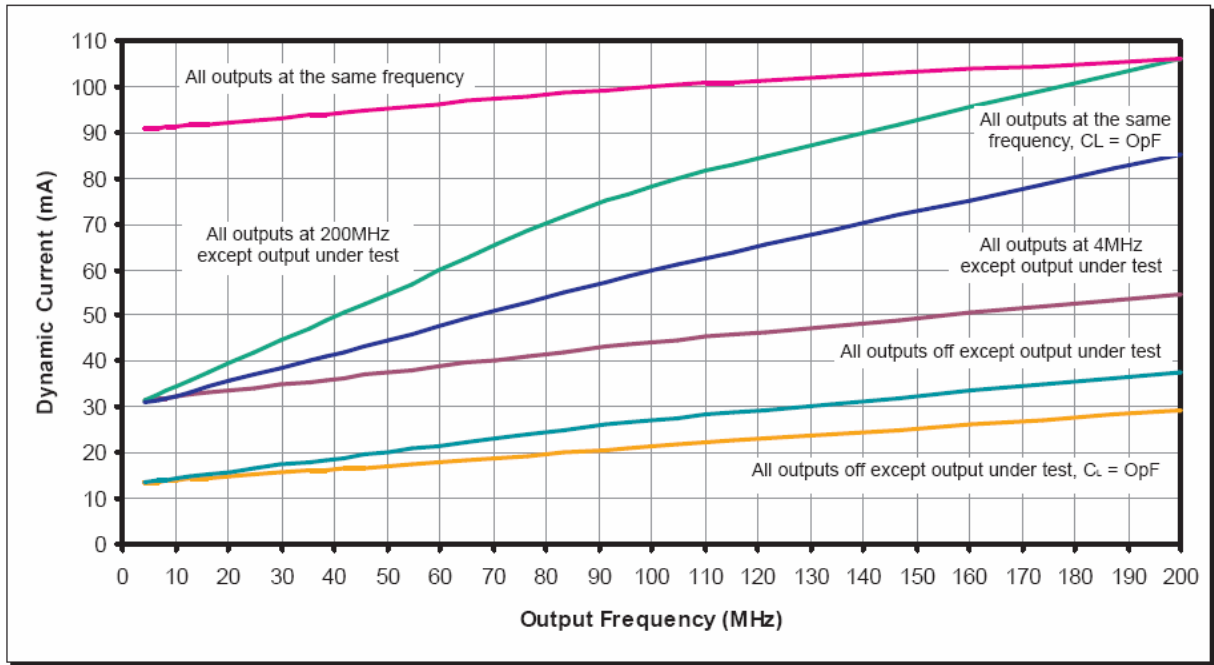
| Low Drive Current (mA) |      |      |      | High Drive Current (mA) |      |      |      |
|------------------------|------|------|------|-------------------------|------|------|------|
| Voltage (V)            | Min. | Typ. | Max. | Voltage (V)             | Min. | Typ. | Max. |
| 0                      | 0    | 0    | 0    | 0                       | -87  | -112 | -150 |
| 0.2                    | 9    | 11   | 12   | 0.5                     | -85  | -110 | -147 |
| 0.5                    | 22   | 25   | 29   | 1                       | -83  | -108 | -144 |
| 0.7                    | 29   | 34   | 40   | 1.5                     | -80  | -104 | -139 |
| 1                      | 39   | 46   | 55   | 2                       | -74  | -97  | -131 |
| 1.2                    | 44   | 52   | 64   | 2.5                     | -65  | -88  | -121 |
| 1.5                    | 51   | 61   | 76   | 2.7                     | -61  | -84  | -116 |
| 1.7                    | 55   | 66   | 83   | 3                       | -53  | -77  | -108 |
| 2                      | 60   | 73   | 92   | 3.2                     | -48  | -71  | -102 |
| 2.2                    | 62   | 77   | 97   | 3.5                     | -39  | -62  | -92  |
| 2.5                    | 65   | 81   | 104  | 3.7                     | -32  | -55  | -85  |
| 2.7                    | 65   | 83   | 108  | 4                       | -21  | -44  | -74  |
| 3                      | 66   | 85   | 112  | 4.2                     | -13  | -36  | -65  |
| 3.5                    | 67   | 87   | 117  | 4.5                     | 0    | -24  | -52  |
| 4                      | 68   | 88   | 119  | 4.7                     |      | -15  | -43  |
| 4.5                    | 69   | 89   | 120  | 5                       |      | 0    | -28  |
| 5                      |      | 91   | 121  | 5.2                     |      |      | -11  |
| 5.5                    |      |      | 123  | 5.5                     |      |      | 0    |



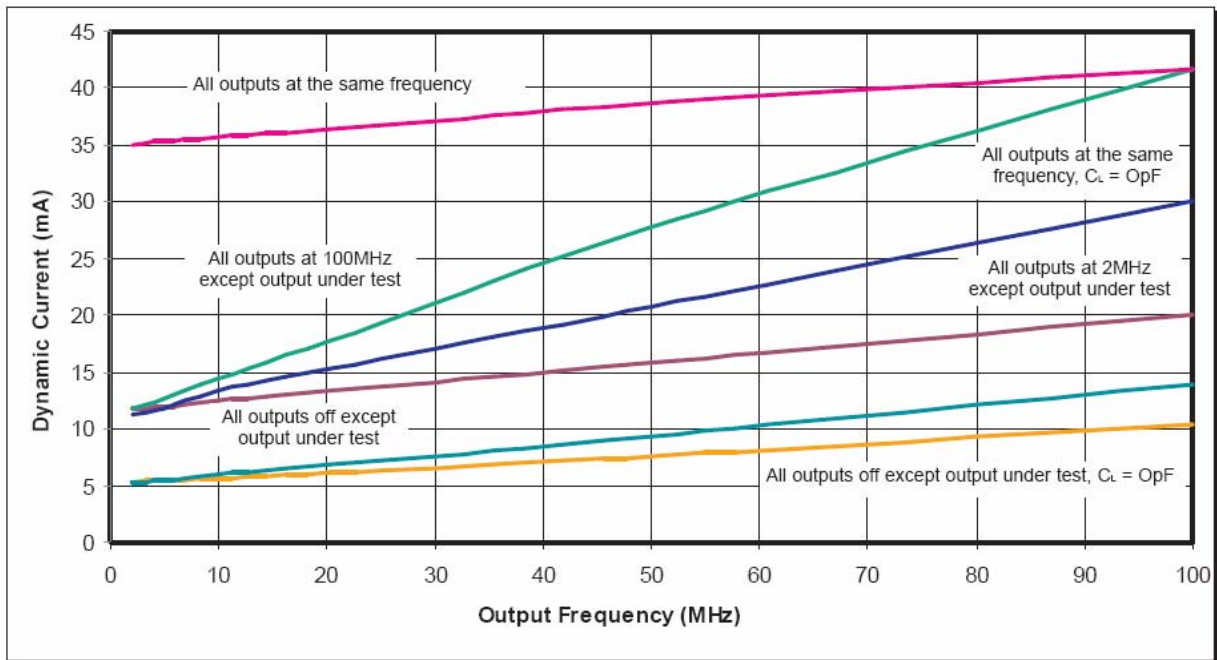
The data in this table represents nominal characterization data only.

Figure 9: CLK\_A, CLK\_B, CLK\_C, CLK\_D Clock Outputs





$V_{DD} = 5.0V$ ; Reference Frequency = 27.00MHz; VCO Frequency = 200MHz,  $C_L = 17pF$  except where noted



$V_{DD} = 3.3V$ ; Reference Frequency = 27.00MHz; VCO Frequency = 100MHz,  $C_L = 17pF$  except where noted

Figure 10: Dynamic Current vs. Output Frequency

Table 13: AC Timing Specifications

| Parameter  | Symbol             | Conditions/Descriptions   | Clock (MHz) | Min.       | Typ.       | Max.       | Units         |
|--|--------------------|---|-------------|------------|------------|------------|---------------|
| <b>Overall</b>   |                    |   |             |            |            |            |               |
| Output frequency*  | $f_o$              | $V_{DD} = 5.5V$<br>$V_{DD} = 3.6V$  |             | 0.8<br>0.8 |            | 150<br>100 | MHz           |
| VCO frequency*   | $f_{VCO}$          | $V_{DD} = 5.5V$<br>$V_{DD} = 3.6V$  |             | 40<br>40   |            | 230<br>170 | MHz           |
| VCO gain*  | $A_{VCO}$          |   |             |            | 400        |            | MHz/V         |
| Loop filter time constant*                                   |                    | LFTC bit = 0<br>LFTC bit = 1  |             |            | 7<br>20    |            | $\mu s$       |
| Rise time*   | $t_r$              | $V_O = 0.5V$ to $4.5V$ ; $C_L = 15pF$<br>$V_O = 0.3V$ to $3.0V$ ; $C_L = 15pF$  |             |            | 1.9<br>1.6 |            | ns            |
| Fall time*   | $t_f$              | $V_O = 4.5V$ to $0.5V$ ; $C_L = 15pF$<br>$V_O = 3.0V$ to $0.3V$ ; $C_L = 15pF$  |             |            | 1.8<br>1.5 |            | ns            |
| Tristate enable delay*                                       | $t_{PZL}, t_{PZH}$ |   |             | 1          |            | 8          | ns            |
| Tristate disable delay*                                      | $t_{PZL}, t_{PZH}$ |   |             | 1          |            | 8          | ns            |
| Clock stabilization time*                                    | $t_{STB}$          | Output active from power-up, via PD pin<br>After last register is written   |             |            | 100        | 1          | $\mu s$<br>ms |
| <b>Divider Modulus</b>                                       |                    |   |             |            |            |            |               |
| Feedback divider   | $N_F$              | See Table 2   |             | 8          |            | 2047       |               |
| Reference divider  | $N_R$              |   |             | 1          |            | 255        |               |
| Post divider   | $N_P$              | See Table 8   |             | 1          |            | 50         |               |
| <b>Clock Outputs (PLL A clock via CLK A pin) Approximate</b> |                    |   |             |            |            |            |               |
| Duty cycle*  |                    | Ratio of pulse width (as measured from rising edge to next falling edge at 2.5V) to one clock period  | 100         | 45         |            | 55         | %             |
| Jitter, long term ( $\sigma_Y(\tau)$ )*                      | $t_{j(LT)}$        | On rising edges 500 $\mu s$ apart at 2.5V relative to an ideal clock, $C_L = 15pF$ , $f_{XIN} = 14.318MHz$ , $N_F = 220$ , $N_R = 63$ , $N_{PX} = 50$ , no other PLLs active  | 100         |            | 45         |            | ps            |
|  |                    | On rising edges 500 $\mu s$ apart at 2.5V relative to an ideal clock, $C_L = 15pF$ , $f_{XIN} = 14.318MHz$ , $N_F = 220$ , $N_R = 63$ , $N_{PX} = 50$ , all other PLLs active (B = 60MHz, C = 40MHz, D = 14.318MHz) | 50          |            | 165        |            |               |
| Jitter, period (peak-peak)*                                  | $t_{j(\Delta P)}$  | From rising edge to the next rising edge at 2.5V, $C_L = 15pF$ , $f_{XIN} = 14.318MHz$ , $N_F = 220$ , $N_R = 63$ , $N_{PX} = 50$ , no other PLLs active  | 100         |            | 110        |            | ps            |
|  |                    | From rising edge to the next rising edge at 2.5V, $C_L = 15pF$ , $f_{XIN} = 14.318MHz$ , $N_F = 220$ , $N_R = 63$ , $N_{PX} = 50$ , all other PLLs active (B = 60MHz, C = 40MHz, D = 14.318MHz)                     | 50          |            | 390        |            |               |
| <b>Clock Outputs (PLL B clock via CLK B pin) Approximate</b> |                    |   |             |            |            |            |               |
| Duty cycle*  |                    | Ratio of pulse width (as measured from rising edge to next falling edge at 2.5V) to one clock period  | 100         | 45         |            | 55         | %             |
| Jitter, long term ( $\sigma_Y(\tau)$ )*                      | $t_{j(LT)}$        | On rising edges 500 $\mu s$ apart at 2.5V relative to an ideal clock, $C_L = 15pF$ , $f_{XIN} = 14.318MHz$ , $N_F = 220$ , $N_R = 63$ , $N_{PX} = 50$ , no other PLLs active  | 100         |            | 45         |            | ps            |
|  |                    | On rising edges 500 $\mu s$ apart at 2.5V relative to an ideal clock, $C_L = 15pF$ , $f_{XIN} = 14.318MHz$ , $N_F = 220$ , $N_R = 63$ , $N_{PX} = 50$ , all other PLLs active (A = 50MHz, C = 40MHz, D = 14.318MHz) | 60          |            | 75         |            |               |
| Jitter, period (peak-peak)*                                  | $t_{j(\Delta P)}$  | From rising edge to the next rising edge at 2.5V, $C_L = 15pF$ , $f_{XIN} = 14.318MHz$ , $N_F = 220$ , $N_R = 63$ , $N_{PX} = 50$ , no other PLLs active  | 100         |            | 120        |            | ps            |
|  |                    | From rising edge to the next rising edge at 2.5V, $C_L = 15pF$ , $f_{XIN} = 14.318MHz$ , $N_F = 220$ , $N_R = 63$ , $N_{PX} = 50$ , all other PLLs active (A = 50MHz, C = 40MHz, D = 14.318MHz)                     | 60          |            | 400        |            |               |

Table 13: AC Timing Specifications continued

| Clock Outputs (PLL_C clock via CLK_C pin) Approximate        |                   |   |        |    |     |    |    |
|--|-------------------|---|--------|----|-----|----|----|
| Duty cycle*  |                   | Ratio of pulse width (as measured from rising edge to next falling edge at 2.5V) to one clock period  | 100    | 45 |     | 55 | %  |
| Jitter, long term ( $\sigma y(\tau)$ )*                      | $t_{j(LT)}$       | On rising edges 500 $\mu$ s apart at 2.5V relative to an ideal clock, $C_L = 15$ pF, $f_{XIN} = 14.318$ MHz, $N_F = 220$ , $N_R = 63$ , $N_{PX} = 50$ , no other PLLs active  | 100    |    | 45  |    | ps |
|  |                   | On rising edges 500 $\mu$ s apart at 2.5V relative to an ideal clock, $C_L = 15$ pF, $f_{XIN} = 14.318$ MHz, $N_F = 220$ , $N_R = 63$ , $N_{PX} = 50$ , all other PLLs active (A = 50MHz, B = 60MHz, D = 14.318MHz) | 40     |    | 105 |    |    |
| Jitter, period (peak-peak)*                                  | $t_{j(\Delta P)}$ | From rising edge to the next rising edge at 2.5V, $C_L = 15$ pF, $f_{XIN} = 14.318$ MHz, $N_F = 220$ , $N_R = 63$ , $N_{PX} = 50$ , no other PLLs active  | 100    |    | 120 |    | ps |
|  |                   | From rising edge to the next rising edge at 2.5V, $C_L = 15$ pF, $f_{XIN} = 14.318$ MHz, $N_F = 220$ , $N_R = 63$ , $N_{PX} = 50$ , all other PLLs active (A = 50MHz, B = 60MHz, D = 14.318MHz)                     | 40     |    | 440 |    |    |
| Clock Outputs (Crystal Oscillator via CLK_D pin) Approximate |                   |   |        |    |     |    |    |
| Duty cycle*  |                   | Ratio of pulse width (as measured from rising edge to next falling edge at 2.5V) to one clock period  | 14.318 | 45 |     | 55 | %  |
| Jitter, long term ( $\sigma y(\tau)$ )*                      | $t_{j(LT)}$       | On rising edges 500 $\mu$ s apart at 2.5V relative to an ideal clock, $C_L = 15$ pF, $f_{XIN} = 14.318$ MHz, no other PLLs active   | 14.318 |    | 20  |    | ps |
|  |                   | From rising edges to the next at 2.5V, $C_L = 15$ pF, $f_{XIN} = 14.318$ MHz, all other PLLs active (A = 50MHz, B = 60MHz, C = 40MHz)   | 14.318 |    | 40  |    |    |
| Jitter, period (peak-peak)*                                  | $t_{j(\Delta P)}$ | From rising edge to the next rising edge at 2.5V, $C_L = 15$ pF, $f_{XIN} = 14.318$ MHz, no other PLLs active   | 14.318 |    | 90  |    | ps |
|  |                   | From rising edge to the next rising edge at 2.5V, $C_L = 15$ pF, $f_{XIN} = 14.318$ MHz, all other PLLs active (A = 50MHz, B = 60MHz, C = 40MHz)  | 14.318 |    | 450 |    |    |

Unless otherwise stated,  $V_{DD} = 5.0V \pm 10\%$ , no load on any output, and ambient temperature range  $T_A = 0^\circ C$  to  $70^\circ C$ . Parameters denoted with an asterisk (\*) represent nominal characterization data and are not currently production tested to any specific limits. Min. and max. characterization data are  $\pm 3\sigma$  from typical.

Table 14: Serial Interface Timing Specifications

| Parameter                            | Symbol       | Conditions/Description  | Standard Mode |      | Units   |
|--------------------------------------|--------------|---|---------------|------|---------|
|                                      |              |   | Min.          | Max. |         |
| Clock frequency                      | $f_{SCL}$    | SCL   | 0             | 100  | kHz     |
| Bus free time between STOP and START | $t_{BUF}$    |   | 4.7           |      | $\mu$ s |
| Set-up time, START (repeated)        | $t_{su:STA}$ |   | 4.7           |      | $\mu$ s |
| Hold time, START                     | $t_{hd:STA}$ |   | 4.0           |      | $\mu$ s |
| Set-up time, data input              | $t_{su:DAT}$ | SDA   | 250           |      | ns      |
| Hold time, data input                | $t_{hd:DAT}$ | SDA   | 0             |      | $\mu$ s |
| Output data valid from clock         | $t_{AA}$     | Minimum delay to bridge undefined region of the falling edge of SCL to avoid unintended START or STOP |               | 3.5  | $\mu$ s |
| Rise time, data and clock            | $t_R$        | SDA, SCL  |               | 1000 | ns      |
| Fall time, data and clock            | $t_F$        | SDA, SCL  |               | 300  | ns      |
| High time, clock                     | $t_{HI}$     | SCL   | 4.0           |      | $\mu$ s |
| Low time, clock                      | $t_{LO}$     | SCL   | 4.7           |      | $\mu$ s |
| Set-up time, STOP                    | $T_{su:STO}$ |   | 4.0           |      | $\mu$ s |

Unless otherwise stated, all power supplies =  $3.3V \pm 5\%$ , no load on any output, and ambient temperature range  $T_A = 0^\circ C$  to  $70^\circ C$ . Parameters denoted with an asterisk (\*) represent nominal characterization data and are not currently production tested to any specific limits. Min. and max. characterization data are  $\pm 3\sigma$  from typical.

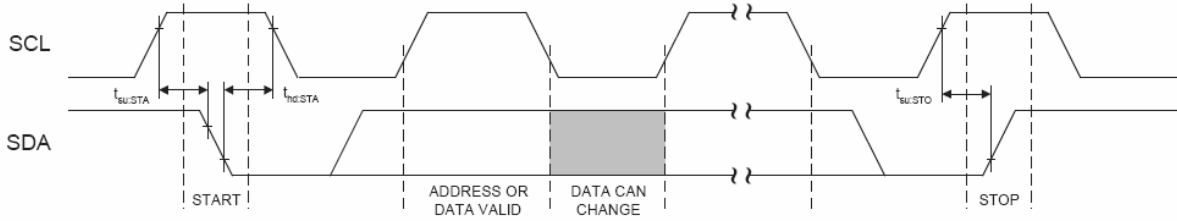


Figure 11: Bus Timing Data

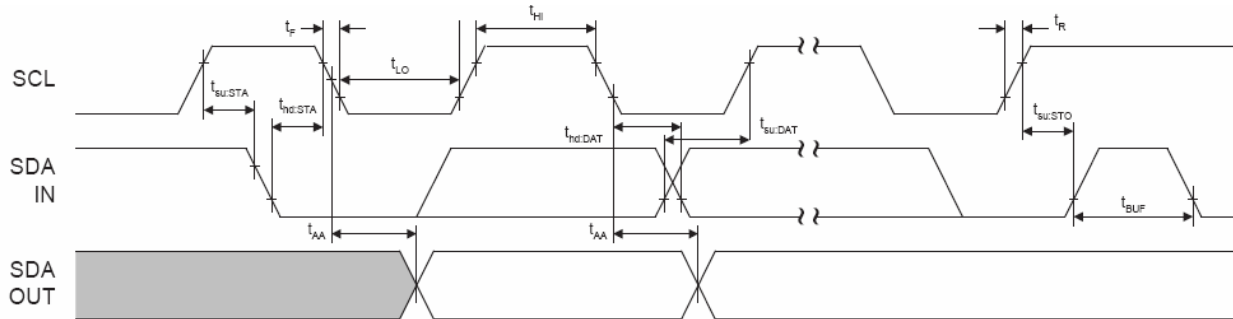


Figure 12: Data Transfer Sequence

## 8.0 Package Information – For Both ‘Green’ and ‘No-Green’

Table 15: 16-pin SOIC (0.150") Package Dimensions

|    | Dimensions |        |             |       |
|----|------------|--------|-------------|-------|
|    | Inches     |        | Millimeters |       |
|    | Min.       | Max.   | Min.        | Max.  |
| A  | 0.061      | 0.068  | 1.55        | 1.73  |
| A1 | 0.004      | 0.0098 | 0.102       | 0.249 |
| A2 | 0.055      | 0.061  | 1.40        | 1.55  |
| B  | 0.013      | 0.019  | 0.33        | 0.49  |
| C  | 0.0075     | 0.0098 | 0.191       | 0.249 |
| D  | 0.386      | 0.393  | 9.80        | 9.98  |
| E  | 0.150      | 0.157  | 3.81        | 3.99  |
| e  | 0.050 BSC  |        | 1.27 BSC    |       |
| H  | 0.230      | 0.244  | 5.84        | 6.20  |
| h  | 0.010      | 0.016  | 0.25        | 0.41  |
| L  | 0.016      | 0.035  | 0.41        | 0.89  |
| θ  | 0°         | 8°     | 0°          | 8°    |

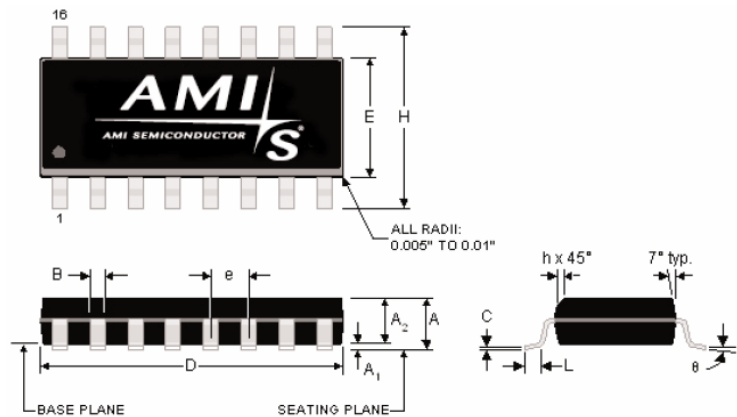


Table 16: 16-pin SOIC (0.150") Package Characteristics

| Parameter  | Symbol        | Conditions/Description        | Typ.       | Units |
|--|---------------|-------------------------------|------------|-------|
| Thermal impedance, junction to free-air 16-pin 0.150" SOIC | $\Theta_{JA}$ | Air flow = 0m/s               | 110        | °C/W  |
| Lead inductance, self                                      | $L_{11}$      | Corner lead<br>Center lead    | 4.0<br>3.0 | nH    |
| Lead inductance, mutual                                    | $L_{12}$      | Any lead to any adjacent lead | 0.4        | nH    |
| Lead capacitance, bulk                                     | $C_{11}$      | Any lead to $V_{SS}$          | 0.5        | pF    |

## 9.0 Ordering Information

### 9.1 Device Ordering Codes

Table 17: Device Ordering Codes

| Device Number | Ordering Code* | Package Type  | Operating Temperature Range |
|---------------|----------------|---|-----------------------------|
| FS6377-01     | 11486-801-XTx  | 16-pin (0.150") SOIC (small outline package)                                | 0°C to 70°C (commercial)    |
| FS6377-01g    | 11486-912-XTx  | 16-pin (0.150") SOIC (small outline package) 'Green' or lead-free packaging | 0°C to 70°C (commercial)    |
| FS6377-01i    | 11486-901-XTx  | 16-pin (0.150") SOIC (small outline package)                                | -40°C to 85°C (industrial)  |
| FS6377-01ig   | 11486-913-XTx  | 16-pin (0.150") SOIC (small outline package) 'Green' or lead-free packaging | -40°C to 85°C (industrial)  |

\*Shipping configuration:

-XTD = Tube/Tray; -XTP = Tape & Reel

## 10.0 Demonstration Software

Windows XP- (and earlier) based software is available from AMI Semiconductor that illustrates the capabilities of the FS6377 and aids in application development.

Contact your local sales representative for more information.

### 10.1 Software Requirements

- PC running MS Windows 95/98, 98 SE, ME, NT4, 2000, XP Home Edition, or XP Professional Edition
- 1.8MB available space on hard drive C
- Internet access to operate program found at [www.amis.com/products/clocks/FS6377.html](http://www.amis.com/products/clocks/FS6377.html)

### 10.2 Demo Program Operation

Launch the demo program from the website. Note that the parallel port cannot be accessed if your machine is not connected to the demo board. A warning message will appear as shown in Figure 13.

Clicking "Ignore" starts the program for calculation only.

The FS6377 demo hardware is available on a limited basis for demonstration by an AMIS field applications engineer, but is no longer available for purchase.

The opening screen is shown in Figure 14.

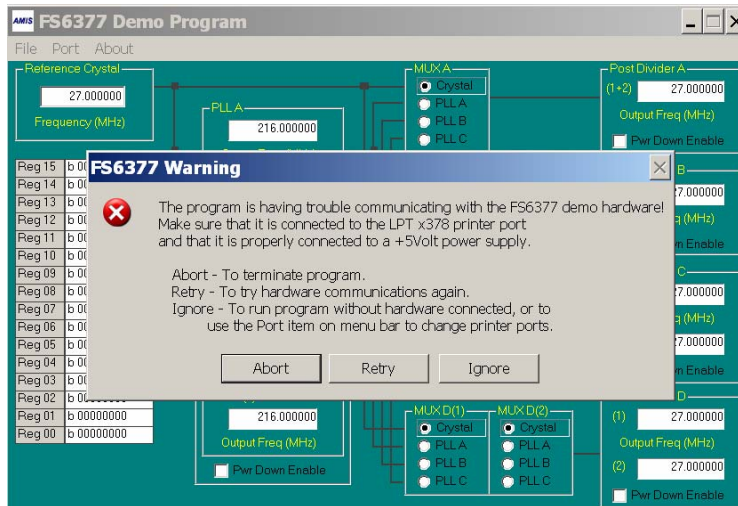


Figure 13: Warning Message- Click "Ignore"

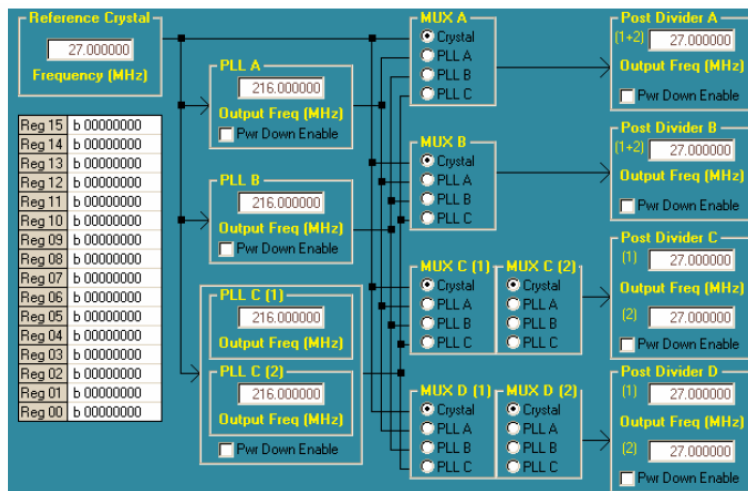


Figure 14: Opening Screen

### 10.2.1. Example Programming

Type a value for the crystal resonator frequency in MHz in the reference crystal box. This frequency provides the basis for all of the PLL calculations that follow.

Next, click on the PLL A box. A pop-up screen similar to Figure 15 should appear. Type in a desired output clock frequency in MHz, set the operating voltage (3.3V or 5V) and the desired maximum output frequency error. Pressing Calculate Solutions generates several possible divider and VCO-speed combinations.

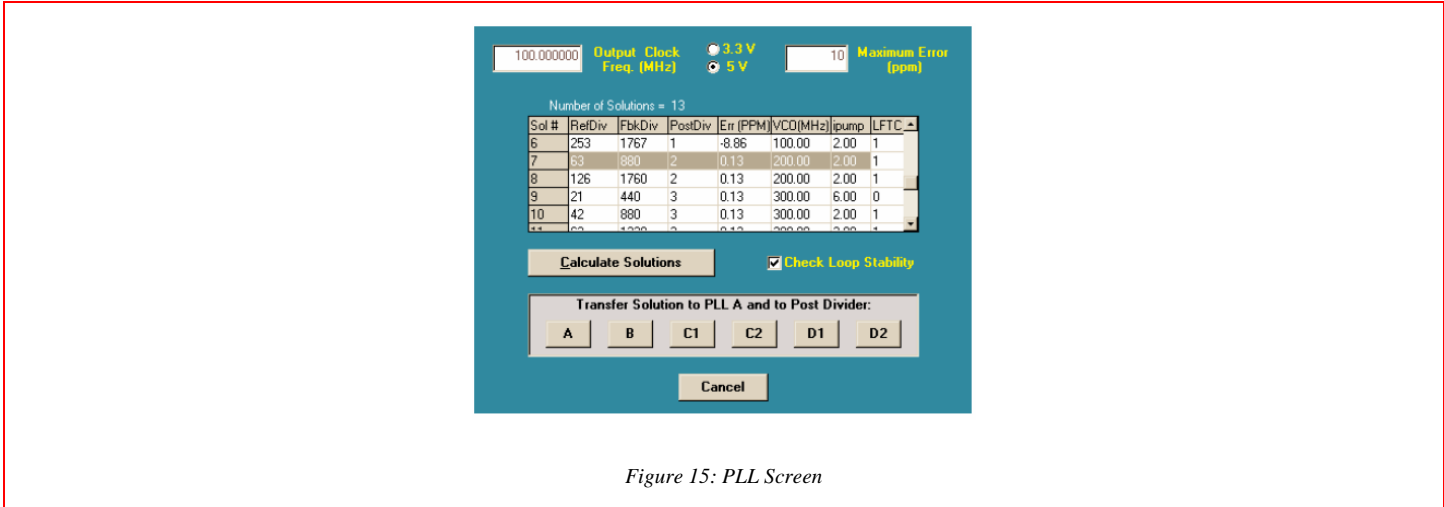


Figure 15: PLL Screen

For a 100MHz output, the VCO should ideally operate at a higher frequency, and the reference and feedback dividers should be as small as possible. In this example, highlight Solution #7. Notice the VCO operates at 200MHz with a post divider of two to obtain an optimal 50 percent duty cycle.

Now choose which mux and post divider to use (that is, choose an output pin for the 100MHz output). Selecting A places the PostDiv value in Solution #7 into post divider A and switches mux A to take the output of PLL A.

The PLL screen should disappear, and now the value in the PLL A box is the new VCO frequency chosen in Solution #7. Also note that mux A has been switched to PLL A and the post divider A has the chosen 100MHz output displayed.

Repeat the steps for PLL B.

PLL C supports two different output frequencies depending on the setting of the SEL\_CD pin. Both mux C and mux D are also affected by the logic level on the SEL\_CD pin, as are the post dividers C and D.

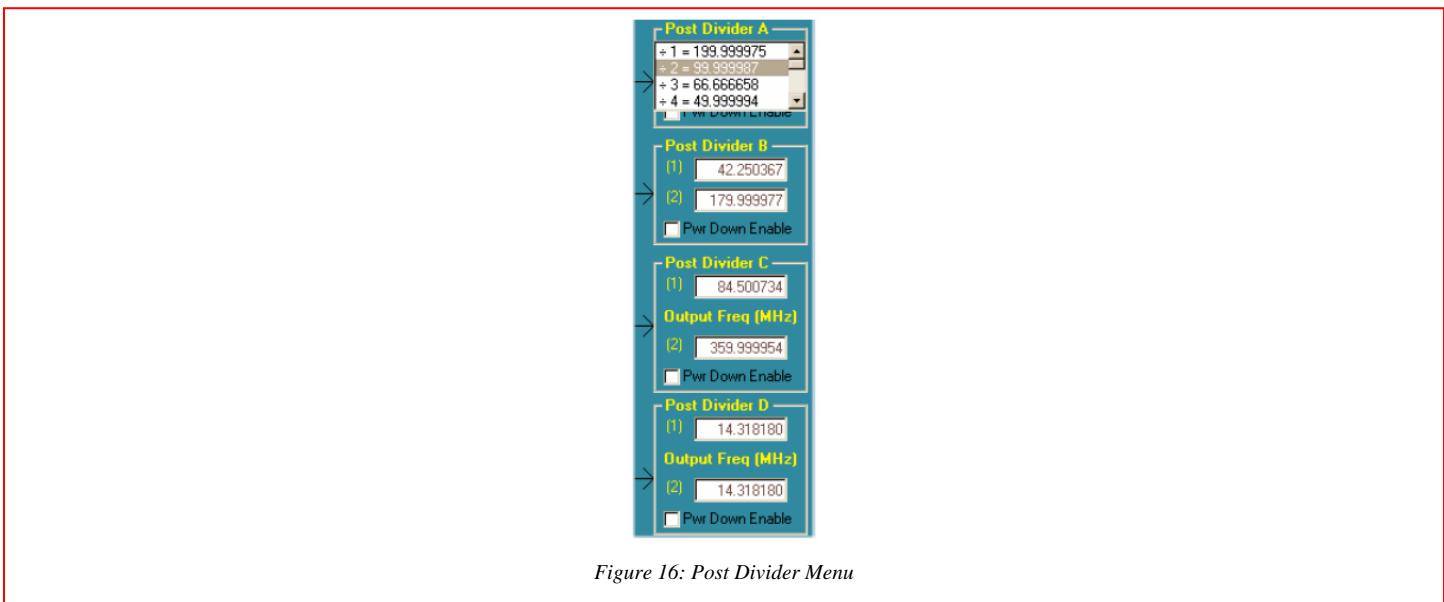


Figure 16: Post Divider Menu

Click on PLL C1 to open the PLL screen. Set a desired frequency, however, now choose the post divider B as the output divider. Notice the post divider box has split in two (as shown in Figure 16). The post divider B box now shows that the divider is dependent on the setting of the SEL\_CD pin for as long as mux B is the PLL C output.

Clicking on post divider A reveals a pull-down menu provided to permit adjustment of the post divider value independently of the PLL screen. A typical menu is shown in Figure 16. The range of possible post divider values is also given in Table 7.

The register settings are shown to the left in the screen shown in Figure 14. Clicking on a register location displays a screen shown in Figure 17. Individual bits can be poked, or the entire register value can be changed.

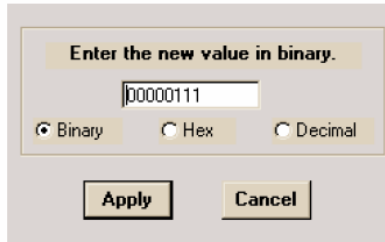


Figure 17: Register Screen



## 11.0 Company or Product Inquiries

---

For more information about AMI Semiconductor's products or services visit our Web site at <http://www.amis.com>.

## 12.0 Revision History

---

| Revision | Date         | Modification  |
|----------|--------------|---------------|
| 1.0      | 2004         | Initial doc   |
| 2.0      | 2004         |               |
| 3.0      | October 2007 | Update format |

Devices sold by AMIS are covered by the warranty and patent indemnification provisions appearing in its Terms of Sale only. AMIS makes no warranty, express, statutory, implied or by description, regarding the information set forth herein or regarding the freedom of the described devices from patent infringement. AMIS makes no warranty of merchantability or fitness for any purposes. AMIS reserves the right to discontinue production and change specifications and prices at any time and without notice. AMI Semiconductor's products are intended for use in commercial applications. Applications requiring extended temperature range, unusual environmental requirements, or high reliability applications, such as military, medical life-support or life-sustaining equipment, are specifically not recommended without additional processing by AMIS for such applications. Copyright ©2007 AMI Semiconductor, Inc.