

TERMINATIONS

BNC, up to 4 GHz, 50 Watts

SPECIFICATIONS:

Models: TBXXXM-50W, TBXXXF-50W

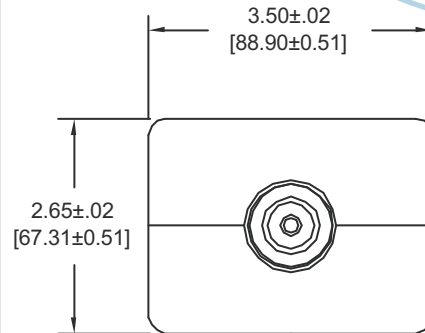
RoHS
Compliant

Electrical:

Frequency Range _____ DC - 4 GHz
Standard Freq. Values _____ 2.5 & 4 GHz
VSWR _____ 1.25:1 Max.
Impedance _____ 50 Ohms
Input Power _____ 50 Watts Avg. @ +25°C
Derated Linearly to 10 Watts @ +125°C
Peak Power _____ 500 Watts Max.
(5µSec Pulse, .05% Duty Cycle)
Operating Temp Range _____ -65°C to +125°C

Mechanical:

BNC Connectors _____ Nickel Plated Brass
Mates with MILSTD-348
Housing _____ Anodized Aluminum
Conductors _____ Gold Plated Beryllium Copper or Brass



END VIEW
TYPICAL

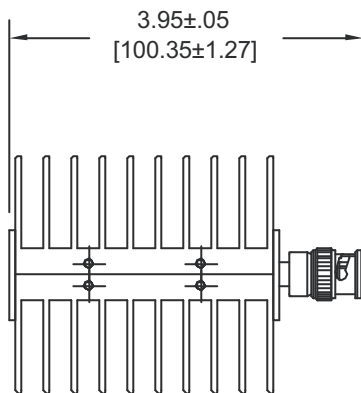
Units must be Mounted in such a way as to Allow for Free Air Flow Around fins to Insure Performance

Model Number: **TBXXXM-50W**

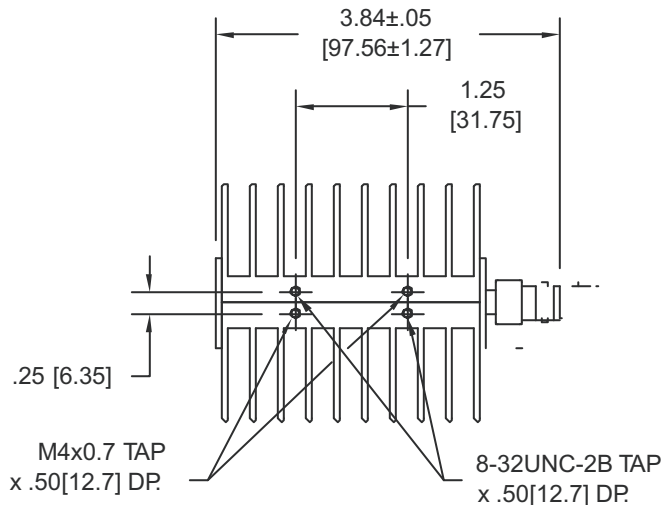
BNC Male Connector

Model Number: **TBXXXF-50W**

BNC Female Connector



NOTE: Hole Pattern typical for both Male & Female units



HOW TO ORDER:

Model Number: **TBXXXY-50W**

Freq. Range | Connector Configuration
020 = DC - 2.5 GHz | F = Female
040 = DC - 4 GHz | M = Male

Ordering Examples:

Model Number: **TB020M-50W**
DC - 2.5 GHz, BNC Male Conn.

Model Number: **TB040F-50W**
DC - 4 GHz, BNC Female Conn.

Note: Dimensions in Brackets are Expressed in Millimeters and are for Reference Only.
Design specifications are subject to change without notice.
Contact factory for technical specifications before purchasing or use.

TB040-50W: REV -



Aeroflex / Inmet, Inc. • 300 Dino Drive, Ann Arbor, MI 48103 • U.S.A.
888-244-6638 or 734-426-5553 • FAX: 734-426-5557
www.aeroflex.com/inmet • inmet@aeroflex.com