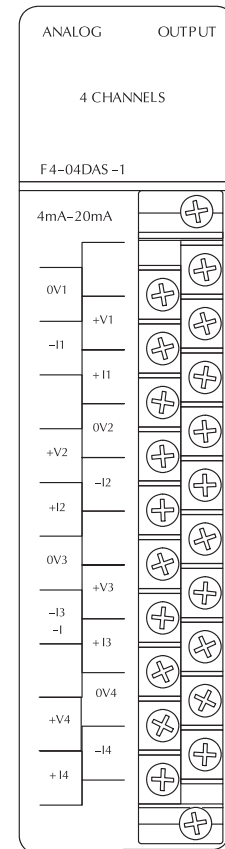
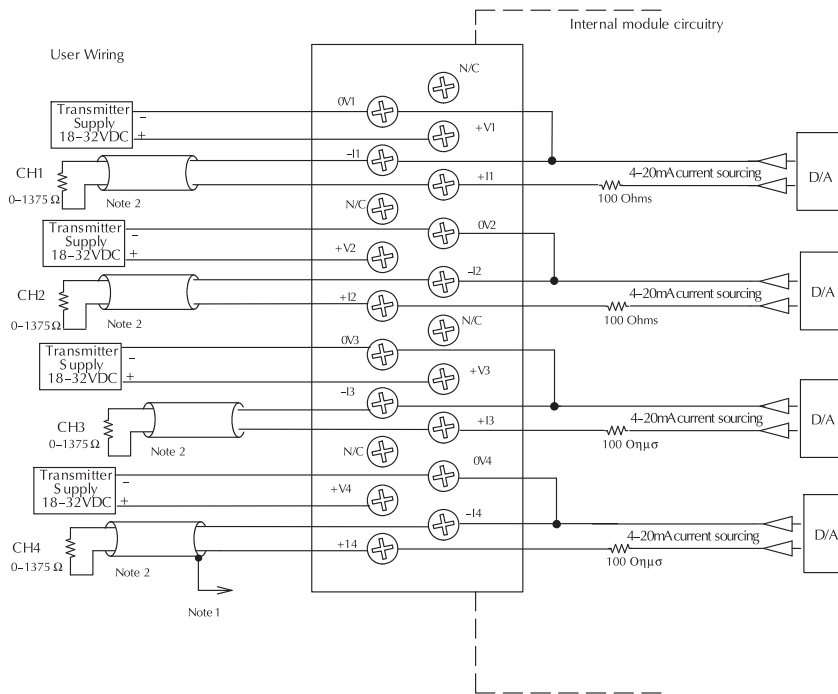


Analog Output Modules

| F4-04DAS-1 4-Ch. 4-20mA Isolated Analog Out <----> | |
|--|---|
| Number of Channels | 4, isolated current sourcing |
| Output Range | 4-20mA current |
| Resolution | 16 bit (1 to 65536) |
| Output Type | Outputs source 4-20mA from external supply |
| Isolation Voltage | ±750V continuous, channel to channel, channel to logic |
| Loop Supply | 12-32VDC |
| Output Loop Compliance | Vin - 2.5V |
| Load Impedance | 0-1375Ω (@ 32V) |
| Maximum Load/Power Supply | 375Ω/12V, 975Ω/24V, 1375Ω/32V |
| PLC Update Rate | 1 channel per scan min., 4 per scan max. |
| Digital Output Points Required | 32 (Y) output points 16 binary data, 2 channel identification, 1bit output enable |
| Power Budget Requirement | 60mA @ 5VDC (supplied by base) |
| External Power Supply | 50mA per channel |

| | |
|-------------------------------------|--|
| Terminal Type (included) | Removable (D4-16IOCON) |
| Linearity Error (End-to-End) | ± 10 count maximum (0.015% of full scale) |
| Conversion Settling Time | 3ms to 0.1% of full scale |
| Gain Calibration Error | ± 32 counts (± 0.05%) |
| Offset Calibration Error | ± 13 counts (± 0.02%) |
| Output Drift | 50ppm/°C |
| Maximum Inaccuracy | ±0.07% @ 77° F (25° C) ±0.18% @ 32 to 140° F (0 to 60° C) |
| Operating Temperature | 0 to 60°C (32° to 140°F) |
| Storage Temperature | -20 to 70° C (-4 to 158°F) |
| Relative Humidity | 5 to 95% (non-condensing) |
| Environmental Air | No corrosive gases permitted |
| Vibration | MIL STD 810C 514.2 |
| Shock | MIL STD 810C 516.2 |
| Noise Immunity | NEMA ICS3-304 |

One count in the specification table is equal to one least significant bit of the analog data value (1 in 65536).
 NOTE 1: Shields should be connected to the 0V.
 NOTE 2: Load must be within compliance voltage.
 NOTE 3: For non-isolated outputs, connect all 0V's together (0V1...0V4) and connect all +V's together (+V1...+V4).



- PLC Overview
- DL05/06 PLC
- DL105 PLC
- DL205 PLC
- DL305 PLC
- DL405 PLC**
- Field I/O
- Software
- C-more HMIs
- Other HMI
- AC Drives
- Motors
- Steppers/Servos
- Motor Controls
- Proximity Sensors
- Photo Sensors
- Limit Switches
- Encoders
- Current Sensors
- Pushbuttons/Lights
- Process
- Relays/Timers
- Comm.
- TB's & Wiring
- Power
- Circuit Protection
- Enclosures
- Appendix
- Part Index