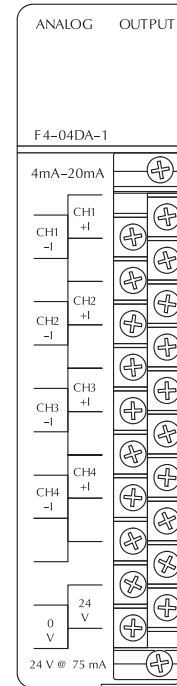
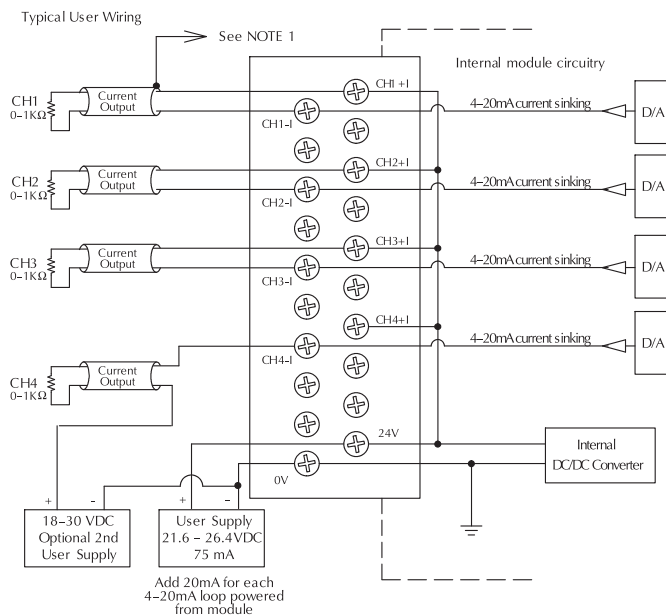


# Analog Output Modules

F4-04DA-1 4-Channel Analog Current Output <---->	
<b>Number of Channels</b>	4, single-ended (one common)
<b>Output Range</b>	4-20mA current
<b>Resolution</b>	12 bit (1 to 4095)
<b>Output Type</b>	Outputs sink 4-20mA from external supply
<b>External Load Resistance</b>	0Ω minimum
<b>Maximum Loop Supply</b>	30VDC
<b>Peak Output Voltage</b>	40VDC (clamped, transient suppressor)
<b>Maximum Load/Power Supply</b>	620Ω/18V, 910Ω/24V, 1200Ω/30V
<b>Linearity Error (best fit)</b>	± 1 count (±0.025%) maximum
<b>Gain Calibration Error</b>	± 5 counts maximum
<b>Offset Calibration Error</b>	± 3 counts maximum
<b>Maximum Inaccuracy</b>	±0.1% @ 77° F (25° C) ±0.3% @ 32 to 140° F (0 to 60° C)
<b>Conversion Time</b>	100μs max., settling time 2.0ms max., digital out to analog out

<b>Digital Output Points Required</b>	16 (Y) output points (12 bits binary data, 4 active channel bits)
<b>Base Power Required 5V</b>	70mA
<b>External Power Supply</b>	21.6-26.4VDC, 75mA, class 2 (add 20mA for each current loop used)
<b>Accuracy vs. Temperature</b>	± 57 ppm/°C full scale calibration range (including maximum offset change, 2 counts)
<b>Operating Temperature</b>	32° to 140°F (0 to 60°C)
<b>Storage Temperature</b>	-4 to 158°F (-20 to 70°C)
<b>Relative Humidity</b>	5 to 95% (non-condensing)
<b>Environmental Air</b>	No corrosive gases permitted
<b>Vibration</b>	MIL STD 810C 514.2
<b>Shock</b>	MIL STD 810C 516.2
<b>Noise Immunity</b>	NEMA ICS3-304

One count in the specification table is equal to one least significant bit of the analog data value (1 in 4,096)  
NOTE 1: Shields should be connected to the 0V of the User Power Supply at the module terminal block  
NOTE 2: Unused current outputs should remain open (no connections)



- PLC Overview
- DL05/06 PLC
- DL105 PLC
- DL205 PLC
- DL305 PLC
- DL405 PLC**
- Field I/O
- Software
- C-more HMIs
- Other HMI
- AC Drives
- Motors
- Steppers/Servos
- Motor Controls
- Proximity Sensors
- Photo Sensors
- Limit Switches
- Encoders
- Current Sensors
- Pushbuttons/Lights
- Process
- Relays/Timers
- Comm.
- TB's & Wiring
- Power
- Circuit Protection
- Enclosures
- Appendix
- Part Index