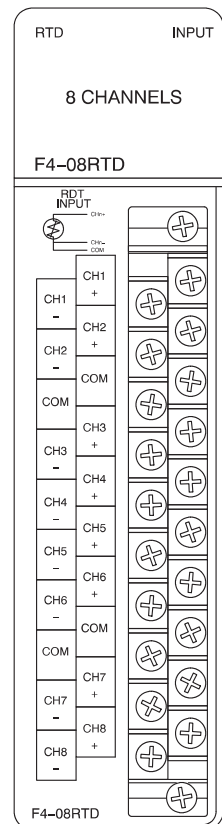
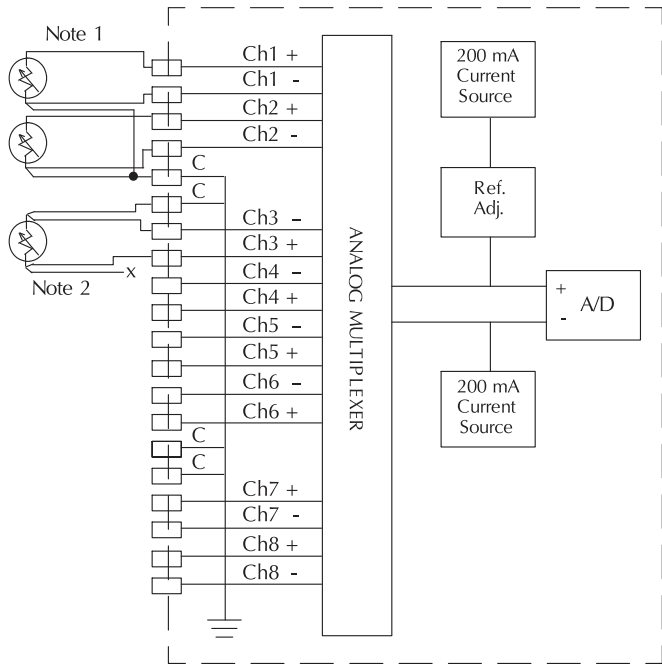


Temperature Input Modules

F4-08RTD 8-Channel RTD Input <--->	
Number of Channels	8
Input Ranges	Type Pt100: -200/850°C, -328/1562°F Type Pt1000: -200/595°C, -328/1103°F Type jPT100: -38/450°C, -36/842°F Type CU-10/25W: -200/260°C, -328/500°F
Resolution	16 bit (1 in 65535)
Input Impedance	27K Ω
Display Resolution	± 0.1°C, ±0.1°F (±3276.7)
RTD Excitation Current	200µA
Input Type	Differential
Notch Filter	>100db notches at 50/60Hz -3db=13.1 Hz
Maximum Settling Time	100msec (full-scale step input)
Common Mode Range	0-5 VDC

Absolute Maximum Ratings	Fault protected inputs to ±50 VDC
Converter Type	Charge Balancing
Linearity Error	± 1°C maximum, ±0.1°C typical
Full Scale Calibration Error	± 1°C
PLC Update Rate	1 ch. per scan min., 8 per scan max.
Digital Input Points Required	32 (X) input points (15 binary data bits, 3 channel ID bits, 1 sign bit, 8 fault bits)
Base Power Required 5V	80mA @ 5VDC
Terminal Type (included)	Removable (D4-16IOCON)
Operating Temperature	32° to 140°F (0 to 60°C)
Storage Temperature	-4 to 158°F (-20 to 70° C)
Relative Humidity	5 to 95% (non-condensing)
Environmental Air	No corrosive gases permitted
Vibration	MIL STD 810C 514.2
Shock	MIL STD 810C 516.2
Noise Immunity	NEMA ICS3-304

Notes:
 1. The three wires connecting the RTD to the module must be the same type and length. Do not use the shield or drain wire for the third connection.
 2. If an RTD sensor has 4 wires, the plus sense wire should be left unconnected as shown.



- PLC Overview
- DL05/06 PLC
- DL105 PLC
- DL205 PLC
- DL305 PLC
- DL405 PLC**
- Field I/O
- Software
- C-more HMIs
- Other HMI
- AC Drives
- Motors
- Steppers/Servos
- Motor Controls
- Proximity Sensors
- Photo Sensors
- Limit Switches
- Encoders
- Current Sensors
- Pushbuttons/Lights
- Process
- Relays/Timers
- Comm.
- TB's & Wiring
- Power
- Circuit Protection
- Enclosures
- Appendix
- Part Index