



Features :

- 1) Designed to meet IEC950 requirements for 250VAC working voltage .
- 2) Compatible with Globespan chip sets .
- 3) Good total harmonic distortion characteristics .
- 4) Optimized design for size and performance .
- 5) 100 ohm line impedance .

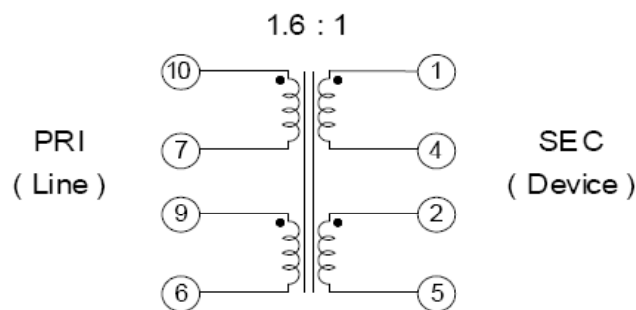
Electrical Specifications @ 25°C --- Operating temperature -20°C To 75°C .

P / N : VT-B3515

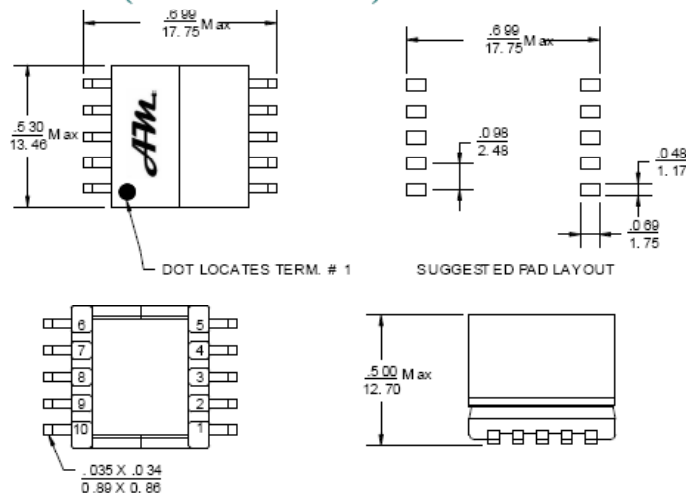
A) Electrical Specifications :

- | | |
|---|---|
| <ol style="list-style-type: none"> 1) Turn Ratio : (Short 9-7,2-4)
Line : Device = (10-6):(1-5)= 1.6 : 1 +/-2% 2) Inductance (1-5):
440uH +/-5% @10KHz 0.1Vrms (short 2-4) 3) Leakage Inductance (10-6):
10uH Max.@100KHz 0.1Vrms (short 9-7,1-5,2-4) 4) D.C.Resistance :
(1-4) & (2-5) : 0.36 ohm -- 0.44 ohm
(10-7) & (9-6) : 0.55 ohm ~ 0.67 ohm | <ol style="list-style-type: none"> 5) C_{ww} (1-10) : 80.0 pF Max. @ 10KHz, 1.0Vrms 6) Total Harmonic Distortion (10-6) : (Short 2-4 ,7-9)
-88.0 dB Max.@ 30KHz~100KHz,4.24Vrms,39ohm load 7) Insertion Loss : 0.5 dB Max. @ 772 KHz 8) Longitudinal Balance : 45 dB Min.@ 20KHz~1.0 MHz 9) Frequency Response : (ref. for 772 KHz)
-0.5dB~-0.5dB @ 100KHz~1.1MHz 10) Hi-Pot: 1875Vrms ,1 second ,0.5mA.(Line -- Device) |
|---|---|

B) Schematics



C) Mechanical Dimensions (Unit: inches / mm)



Unless otherwise specified, all tolerances are ±.010 / 0.25

AlfaMag Electronics * 10830 Kinghurst Drive * Houston, TX 77099
 Phone: 832-775-1318 * Fax: 832-775-1317 * email: support@alfamag.com
 Toll Free: 800-413-6693 * www.alfamag.com