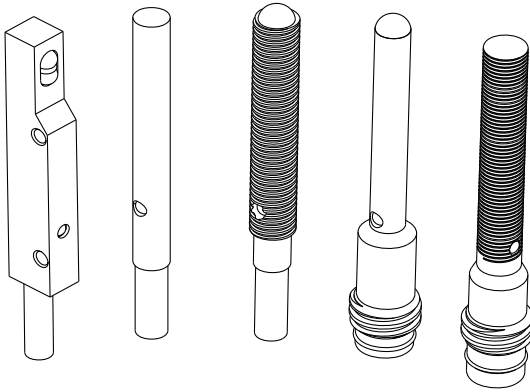


VSM Series Micro Sensors

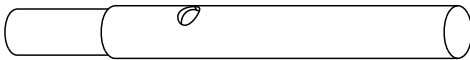
Miniature self-contained sensors in stainless steel housing



- Tough - 300 series stainless steel body with sapphire lens withstands a wide variety of chemicals and cutting fluids
- Tiny sensors are available as small as a 4 mm barrel (about the size of a single optical fiber assembly)
- Economical, self-contained sensors are available in convergent or opposed sensing modes; no separate amplifier required
- Advanced convergent optical design provides high performance, and very repeatable sensing
- Well-focused, narrow beam allows the entire barrel sensor to be recessed into fixtures (excluding 50 mm range models)
- Smooth, stainless steel barrel is perfect for hygienic applications that require routine cleaning
- A choice of threaded or smooth barrel housings or flat-pack side-looking housing

Models

Table 1: Housing Style: 4 mm Smooth Barrel



NPN Models	PNP Models	Sensing Mode	Range	Output Type	Connection
VSM46E Emitter		<p>OPPOSED</p>	250 mm	—	2 m
VSM46EQ7 Emitter					3-Pin Pico QD
VSM4RN6R	VSM4RP6R			DO	2 m
VSM4RN6RQ7	VSM4RP6RQ7				3-Pin Pico QD
VSM4AN6CV10	VSM4AP6CV10	<p>CONVERGENT</p>	10 mm	LO	2 m
VSM4AN6CV10Q7	VSM4AP6CV10Q7				3-Pin Pico QD
VSM4AN6CV20	VSM4AP6CV20		20 mm		2 m
VSM4AN6CV20Q7	VSM4AP6CV20Q7				3-Pin Pico QD
VSM4AN6CV50	VSM4AP6CV50		50 mm		2 m
VSM4AN6CV50Q7	VSM4AP6CV50Q7				3-Pin Pico QD

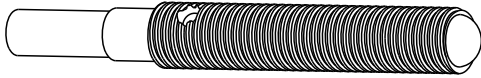


WARNING: Not To Be Used for Personnel Protection

Never use this product as a sensing device for personnel protection. Doing so could lead to serious injury or death. This product does NOT include the self-checking redundant circuitry necessary to allow its use in personnel safety applications. A sensor failure or malfunction can cause either an energized or de-energized sensor output condition.

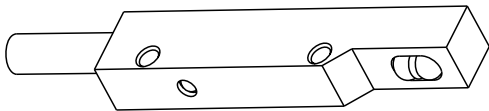


Table 2: Housing Style: 5 mm Threaded Barrel



NPN Models	PNP Models	Sensing Mode	Range	Output Type	Connection	
VSM56E Emitter		 OPPOSED	250 mm	—	2 m	
VSM56EQ7 Emitter					3-Pin Pico QD	
VSM5RN6R	VSM5RP6R			DO	2 m	
VSM5RN6RQ7	VSM5RP6RQ7				3-Pin Pico QD	
VSM5AN6CV10	VSM5AP6CV10	 CONVERGENT	10 mm	LO	2 m	
VSM5AN6CV10Q7	VSM5AP6CV10Q7				3-Pin Pico QD	
VSM5AN6CV20	VSM5AP6CV20				20 mm	2 m
VSM5AN6CV20Q7	VSM5AP6CV20Q7				3-Pin Pico QD	
VSM5AN6CV50	VSM5AP6CV50				50 mm	2 m
VSM5AN6CV50Q7	VSM5AP6CV50Q7					3-Pin Pico QD

Table 3: Housing Style: Flat-Pack Side-Looker



NPN Models	PNP Models	Sensing Mode	Range	Output Type	Connection
VSMQAN6CV20	VSMQAP6CV20	 CONVERGENT	20 mm	LO	2 m
VSMQAN6CV50	VSMQAP6CV50		50 mm		
VSMQAN6CV90	VSMQAP6CV90		90 mm		

Specifications

Supply Voltage and Current

10 to 30V dc (10% maximum ripple)

Supply Protection Circuitry

Protected against reverse polarity and transient voltages

Output Configuration

Single-output: 1 NPN or 1 PNP; light operate (LO) or dark operate (DO), depending on model

Output Rating:

100 mA max

OFF-state leakage current: less than 1 μ A

ON-state saturation voltage: less than 2V @ 100 mA

Output Protection Circuitry

Protected against false pulse on power-up and continuous overload or short circuit of outputs

Overload trip point \geq 100 mA

Response Time

2.5 milliseconds

Delay at Power-Up

20 milliseconds

Repeatability

1 millisecond

Indicators

Yellow LED: light sensed

Construction

300 series stainless steel with sapphire lens and PVC cable

Environmental Rating

IP67

Connections

2 m PVC-jacketed cable or 3-pin Pico-style integral QD (Q7), depending on model.

Operating Conditions

Operating Temperature: 0° to +55° C (32° to +131° F)

Certifications

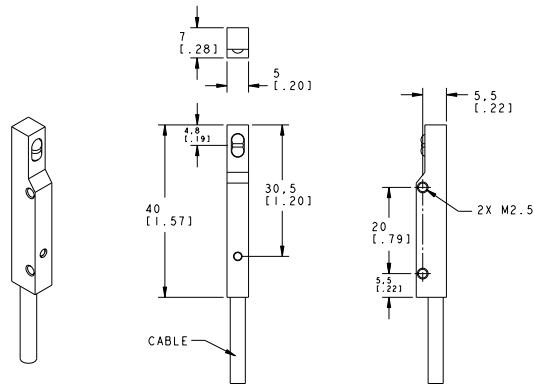


Dimensions

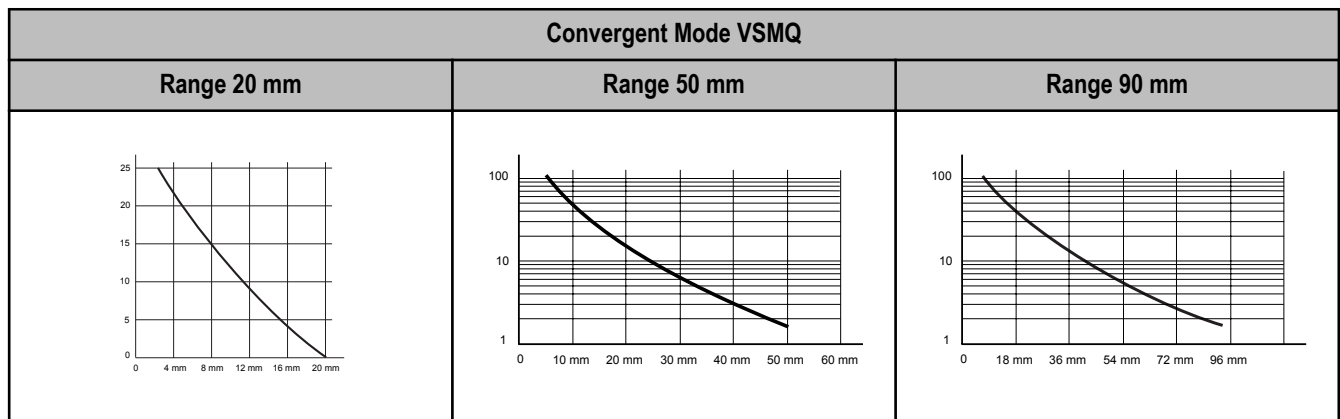
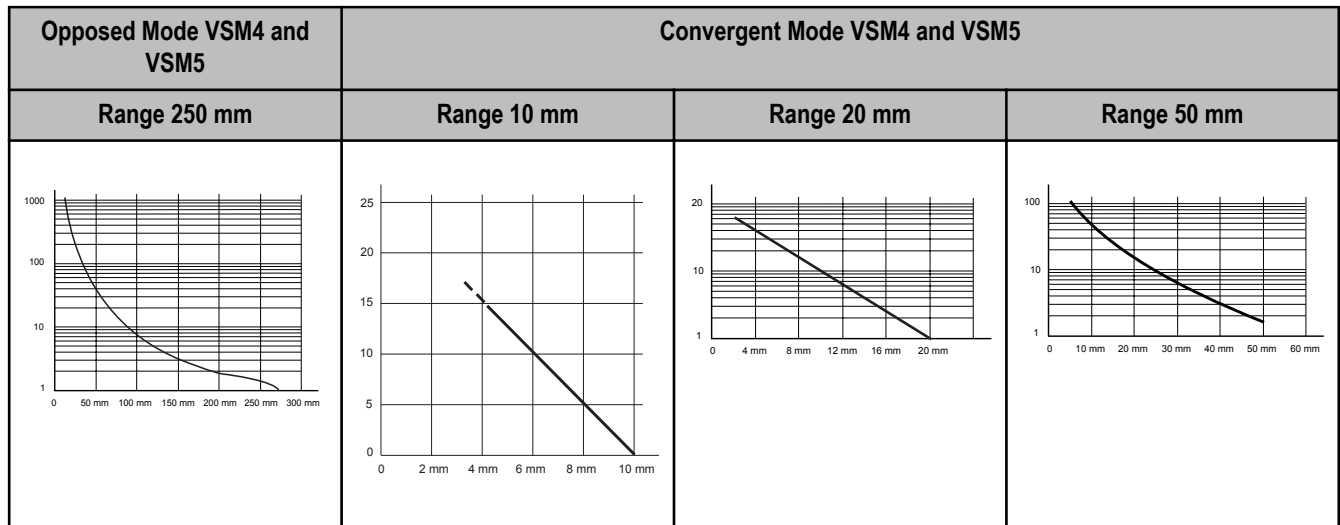
4 mm Smooth Barrel Emitter/Receiver Cable and 50 mm CV Models	4 mm Smooth Barrel Emitter/Receiver QD and 50 mm CV Models

5 mm Threaded Barrel Emitter/Receiver Cable and 50 mm CV Models	VSM5 Emitter/Receiver QD and 50 mm CV Models
4 mm Smooth Barrel Cable/10 and 20 mm CV Models	4 mm Smooth Barrel QD/10 and 20 mm CV Models
5 mm Threaded Barrel Cable/10 and 20 mm CV Models	5 mm Threaded Barrel QD/10 and 20 mm CV Models

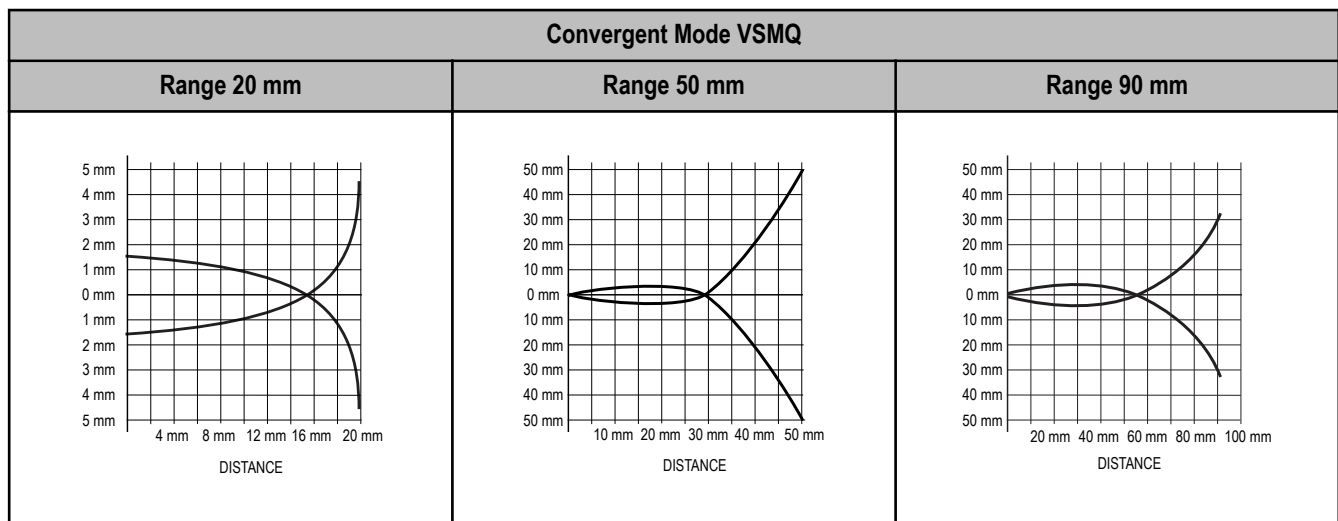
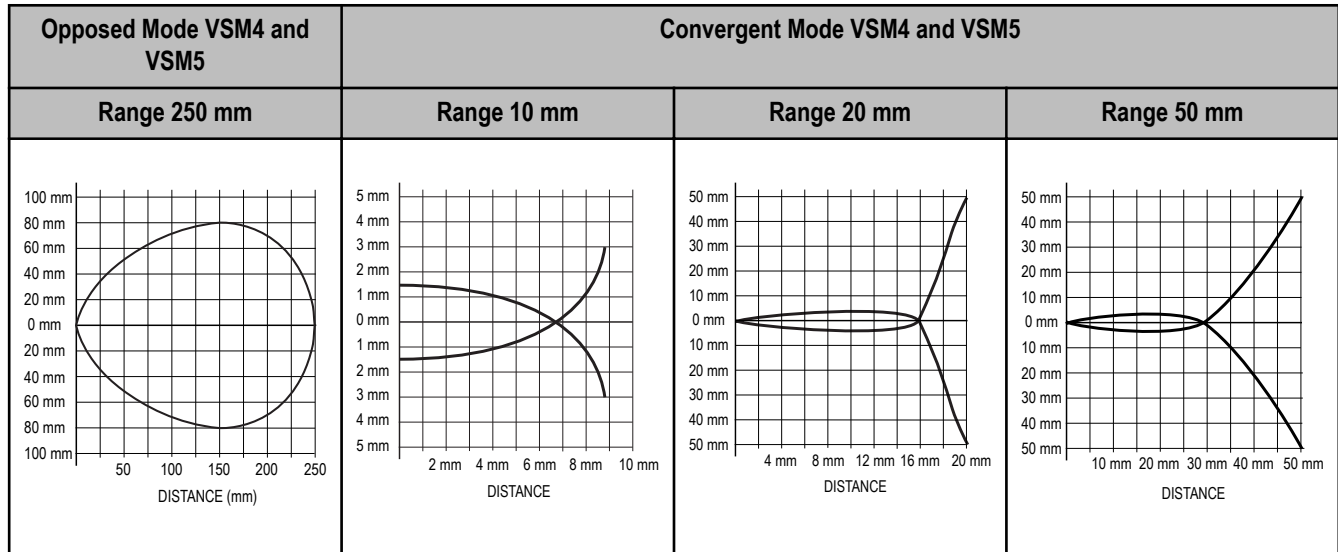
Flat-Pack Side-Looker



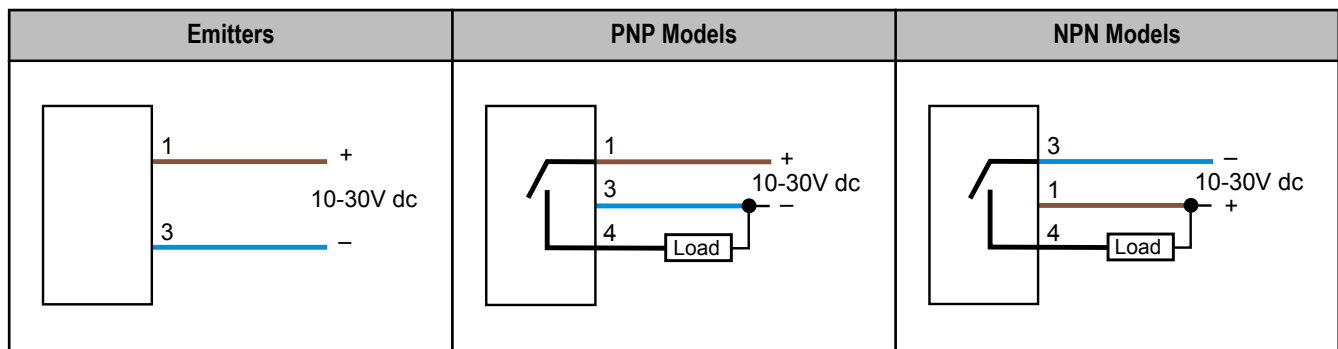
Excess Gain Curves



Beam Patterns



Wiring

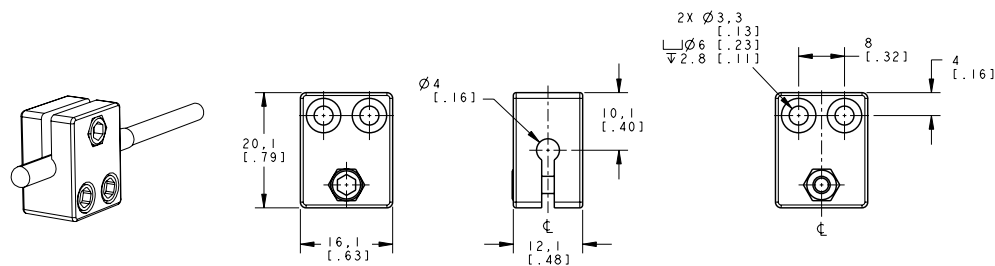


Cordsets

Length	Threaded 3-Pin	
	Straight	Right-Angle
2.00 m	PKG3M-2	PKW3M-2
5.00 m	PKG3M-5	PKW3M-5
9.00 m	PKG3M-9	PKW3M-9

Brackets

SMBVSM4



Banner Engineering Corp Limited Warranty

Banner Engineering Corp. warrants its products to be free from defects in material and workmanship for one year following the date of shipment. Banner Engineering Corp. will repair or replace, free of charge, any product of its manufacture which, at the time it is returned to the factory, is found to have been defective during the warranty period. This warranty does not cover damage or liability for misuse, abuse, or the improper application or installation of the Banner product.

THIS LIMITED WARRANTY IS EXCLUSIVE AND IN LIEU OF ALL OTHER WARRANTIES WHETHER EXPRESS OR IMPLIED (INCLUDING, WITHOUT LIMITATION, ANY WARRANTY OF MERCHANTABILITY OR FITNESS FOR A PARTICULAR PURPOSE), AND WHETHER ARISING UNDER COURSE OF PERFORMANCE, COURSE OF DEALING OR TRADE USAGE.

This Warranty is exclusive and limited to repair or, at the discretion of Banner Engineering Corp., replacement. **IN NO EVENT SHALL BANNER ENGINEERING CORP. BE LIABLE TO BUYER OR ANY OTHER PERSON OR ENTITY FOR ANY EXTRA COSTS, EXPENSES, LOSSES, LOSS OF PROFITS, OR ANY INCIDENTAL, CONSEQUENTIAL OR SPECIAL DAMAGES RESULTING FROM ANY PRODUCT DEFECT OR FROM THE USE OR INABILITY TO USE THE PRODUCT, WHETHER ARISING IN CONTRACT OR WARRANTY, STATUTE, TORT, STRICT LIABILITY, NEGLIGENCE, OR OTHERWISE.**

Banner Engineering Corp. reserves the right to change, modify or improve the design of the product without assuming any obligations or liabilities relating to any product previously manufactured by Banner Engineering Corp.