

SYM53C141

LVD SCSI Bus Expander

Features

- Attaches single-ended SCSI devices to a Low Voltage Differential (LVD) SCSI bus
- Operates as a SCSI Bus Converter or Repeater
- Provides SCSI Bus electrical isolation for high availability and scalable server clustering technologies
- Targets and initiators can be located on either the A or B side of the device
- Via the pin level electrical isolation mode, each side of the device can be logically disconnected from the other
- Dynamic mode switching used to inform initiators of a transmission mode change
- Self-calibration mode supports variations in voltage, temperature, and silicon process
- Accepts any asynchronous or synchronous transfer speed up to Ultra SCSI
- Does not consume a SCSI ID
- On-chip multi-mode LVDlink™ transceivers
- Supports TolerANT® transceiver technology
- Can cascade up to three Symbios® SYM53C141s
- Complete support for SCSI-1, -2, & -3
- Completely independent of software

Applications

- Server Clustering Environments
- Expanders create distinct SCSI cable segments which are electrically isolated from each other (See Figure 1)

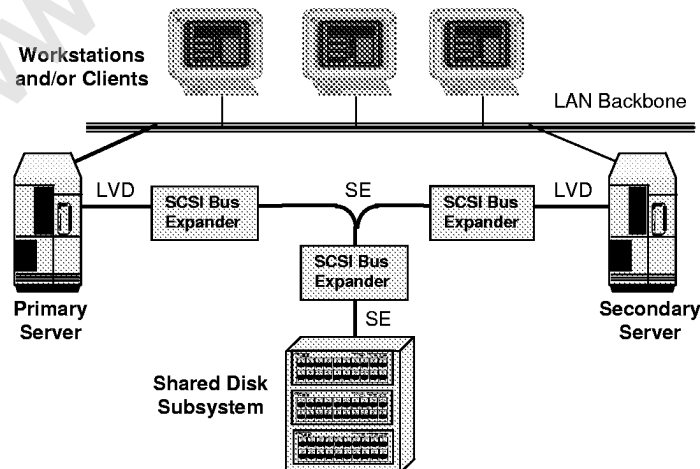


Figure 1: Example of server clustering using SYM53C141 devices

Overview

SCSI bus expanders are the way servers are clustered. A SCSI bus expander couples bus segments together without any impact to the SCSI protocol, software, or firmware. The SYM53C141 SCSI Bus Expander attaches single-ended (SE) SCSI peripherals to the Low Voltage Differential (LVD) signaling bus used by Ultra2 SCSI.

The SYM53C141 enables system architects to take advantage of the inherent cable distance, device connectivity, and data reliability benefits of LVD signaling while operating with peripherals designed for Ultra SCSI speeds.

The SYM53C141 operates in two modes: single-ended to single-ended (Repeater) or single-ended to Low Voltage Differential (Converter). For applications requiring SE to High Voltage Differential (HVD), the SYM53C120 Bus Expander should be used.

Symbios Product	Repeater	Converter
SYM53C120	SE to SE	SE to HVD
SYM53C141	SE to SE	SE to LVD

In both SCSI Bus Repeater and Converter modes, cable segments are electrically isolated from each other. This feature maintains the signal integrity of each cable segment. For bus isolation applications, the SYM53C141 is ideally suited for the SYM53C895 Ultra2 SCSI controller.

The SYM53C141 provides additional control capability through the pin level electrical isolation mode. This feature allows logical disconnection of both the A side bus and B side bus without disrupting SCSI transfers currently in progress. For example, devices on the logically disconnected B side can be swapped out while the A side bus remains active.

The SYM53C141 is based upon bus expander technology resulting in some signal filtering and re-timing to maintain signal skew budgets. In addition, the SYM53C141 has no programmable registers, therefore it does not require any software.

Refer to Figure 2 for the following block level description of the SYM53C141.

Re-timing Logic:

The SCSI signals, as they propagate from one side of the device to the other, are processed by logic which re-times them as necessary to guarantee SCSI bus signal timings. This logic is governed by the state machine control block. In addition, the re-timing logic contains numerous precision delay elements which are periodically calibrated by the precision delay control block.

Precision Delay Control:

The precision delay control block provides calibration information to the re-timing logic block for it to maintain precise SCSI bus timing such as output pulse widths, setup and hold times, and etc. As the system

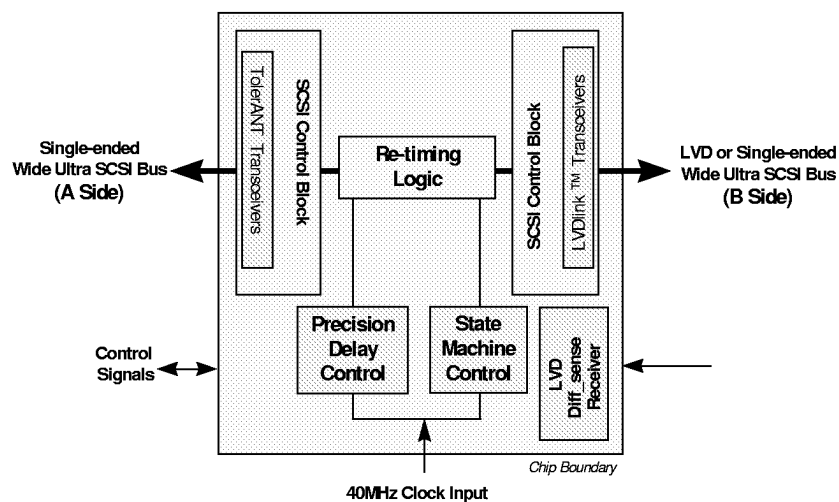


Figure 2: SYM53C141 Block Diagram

voltage and temperature conditions vary over time, the precision delay control block will periodically update the delay settings in the re-timing logic to maintain constant and precise control over bus timing.

State Machine Control:

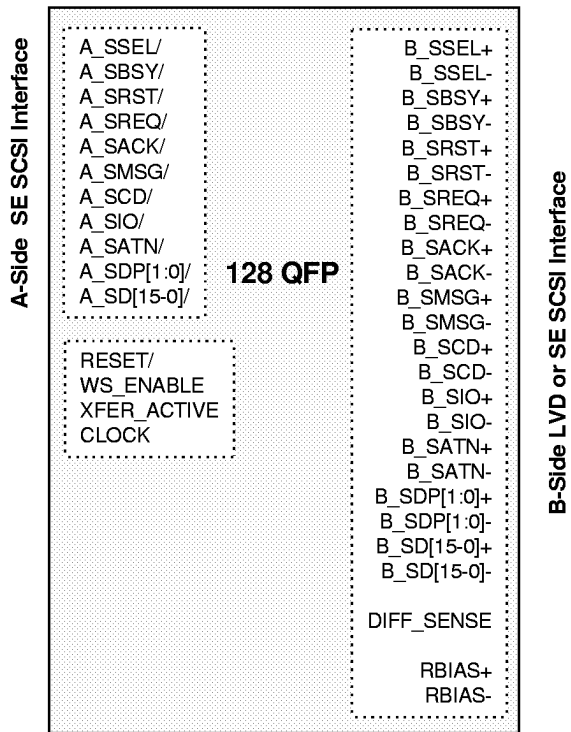
The state machine control block monitors SCSI bus protocol and other internal operating conditions such as SCSI phase, location of initiator and target, and various timer functions. This block provides input to the re-timing logic which identifies how to properly handle SCSI bus signal re-timing and protocol based on observed bus conditions.

Dynamic Mode Switching:

The SYM53C141 is designed to support dynamic transmission mode changes on bus segments which support both LVD and SE. The DIFFSENS line is used to detect a valid mode switch on the multi-mode LVD bus segment. For instance, when a SE device is plugged onto an LVD bus, the dynamic mode switch feature is used to inform any initiators residing on the opposing bus segment of the change in transmission mode. These initiators may then analyze the integrity of this mode change versus performance capabilities and conduct any necessary re-negotiations.

Signal Grouping

The following diagrams the functional signal groupings of the SYM53C141:



Specifications

- 40 MHz Input Clock
- Package: 128-pin Plastic Quad Flat Pack (PQFP)
- Compliant with the Reference Specifications shown below:

Symbios Product	Repeater	Converter
SYM53C120	SE to SE	SE to HVD
SYM53C141	SE to SE	SE to LVD

LSI Logic Sales Offices and Design Resource Centers

LSI Logic Corporation
Corporate Headquarters
Tel: 408.433.8000

NORTH AMERICA

California

Irvine

- Tel: 949.553.5600
- Fax: 949.474.8101

San Diego

- Tel: 619.613.8300
- Fax: 619.613.8350

Wireless Design Center

- Tel: 619.350.5560
- Fax: 619.350.0171

Silicon Valley

- Tel: 408.433.8000
- Fax: 408.954.3353

Colorado

Boulder

- Tel: 303.447.3800
- Fax: 303.541.0641

Florida

Boca Raton

- Tel: 561.989.3236
- Fax: 561.989.3237

Georgia

Atlanta

- Tel: 770.641.8001
- Fax: 770.641.8805

Illinois

Schaumburg

- Tel: 847.995.1600
- Fax: 847.995.1622

Kentucky

Bowling Green

- Tel: 502.793.0010
- Fax: 502.793.0040

Maryland

Bethesda

- Tel: 301.897.5800
- Fax: 301.897.8389

Massachusetts

Waltham

- Tel: 781.890.0180
- Fax: 781.890.6158

Minnesota

Minneapolis

- Tel: 612.921.8300
- Fax: 612.921.8399

New Jersey

Edison

- Tel: 732.549.4500
- Fax: 732.549.4802

New York

New York

- Tel: 716.218.0020
- Fax: 716.218.9010

North Carolina

Raleigh

- Tel: 919.785.4520
- Fax: 919.783.8909

Oregon

Beaverton

- Tel: 503.645.0589
- Fax: 503.645.6612

Texas

Austin

- Tel: 512.388.7294
- Fax: 512.388.4171

Dallas

- Tel: 972.503.3205
- Fax: 972.503.2258

Houston

- Tel: 281.379.7800
- Fax: 281.379.7818

Plano

- Tel: 972.244.5000
- Fax: 972.509.0349

Washington

Issaquah

- Tel: 425.837.1733
- Fax: 425.837.1734

Canada

Ontario

Ottawa

- Tel: 613.592.1263
- Fax: 613.592.3253

Toronto

- Tel: 416.620.7400
- Fax: 416.620.5005

Quebec

Montreal

- Tel: 514.694.2417
- Fax: 514.694.2699

INTERNATIONAL

Australia

New South Wales

Reptechnic Pty Ltd

- Tel: 612.9953.9844
- Fax: 612.9953.9683

China

Beijing

- LSI Logic International Services Inc
- Tel: 86.10.6804.2534.40
- Fax: 86.10.6804.2521

Denmark

Ballerup

- LSI Logic Development Centre
- Tel: 45.44.86.55.55
- Fax: 45.44.86.55.56

France

Paris

- LSI Logic S.A.
- Immeuble Europa
- Tel: 33.1.34.63.13.13
- Fax: 33.1.34.63.13.19

Germany

Munich

- LSI Logic GmbH
- Tel: 49.89.4.58.33.0
- Fax: 49.89.4.58.33.108

Stuttgart

- Tel: 49.711.13.96.90
- Fax: 49.711.86.61.428

Hong Kong

Hong Kong

- AVT Industrial Ltd
- Tel: 852.2428.0008
- Fax: 852.2401.2105

India

Bangalore

- LogiCAD India Private Ltd
- Tel: 91.80.664.5530
- Fax: 91.80.664.9748

Israel

Ramat Hasharon

- LSI Logic
- Tel: 972.3.5.480480
- Fax: 972.3.5.403747

Netanya

VLSI Development Centre

- Tel: 972.9.657190
- Fax: 972.9.657194

Italy

Milano

- LSI Logic S.P.A.
- Tel: 39.039.687371
- Fax: 39.039.6057867

Japan

Tokyo

- LSI Logic K.K.
- Tel: 81.3.5463.7821
- Fax: 81.3.5463.7820

Osaka

- Tel: 81.6.947.5281
- Fax: 81.6.947.5287

Korea

Seoul

- LSI Logic Corporation of Korea Ltd
- Tel: 82.2.528.3400
- Fax: 82.2.528.2250

The Netherlands

Eindhoven

- LSI Logic Europe Ltd
- Tel: 31.40.265.3580
- Fax: 31.40.296.2109

Singapore

Singapore

- LSI Logic Pte Ltd
- Tel: 65.334.9061
- Fax: 65.334.4749

Sweden

Stockholm

- LSI Logic AB
- Tel: 46.8.444.15.00
- Fax: 46.8.750.66.47

Switzerland

Brugg/Biel

- LSI Logic Sulzer AG
- Tel: 41.32.536363
- Fax: 41.32.536367

Taiwan

Taipei

- LSI Logic Asia-Pacific
- Tel: 886.2.2718.7828
- Fax: 886.2.2718.8869

Avnet-Mercuries

Corporation, Ltd

- Tel: 886.2.2503.1111
- Fax: 886.2.2503.1449

Jeilin Technology

Corporation, Ltd

- Tel: 886.2.2248.4828
- Fax: 886.2.2242.4397

Lumax International

Corporation, Ltd

- Tel: 886.2.2788.3656
- Fax: 886.2.2788.3568

United Kingdom

Bracknell

LSI Logic Europe Ltd

- Tel: 44.1344.426544
- Fax: 44.1344.481039

- Sales Offices with Design Centers

LSI Logic logo design, ATMized, ATMizer, BitBuster, CASCADE, CoreWare and CoreWare logo design, FlexCore, G10 and G10 logo design, HYDRA, It Takes Two To Make One Of A Kind, LSI Links, MiniRISC, MiniSIM, SerialLink, The System on a Chip Company and VISC are registered trademarks, and Cablestream, Cafe, C-MDE, Compacted Array, Cream, DCAM, DiscRISC, DiskRISK, Espresso, First-Time-Right, FlexStream and FlexStream logo design, G11 and G11 logo design, G12 and G12 logo design, GigaBlaze, Grounds, Hyper-IVDS, HyperPHY, Integra, Internet on a Chip, Logically Speaking, Merlin, Mint, Mint Technology, Mint logo design, Mocha, Netcore, Planet LSI, PowerPlay, Right-First-Time, Scenario, SerialICE, Sugar, Symbios, Taking Cameras Digital, TinyRISC, TinySIM, WINS, TolerANT, LVDlink, and SCRIPTS are trademarks of LSI Logic Corporation. ARM is a registered trademark of Advanced RISC Machines Limited, used under license; OakDSPCore is a registered trademark of DSP Group Inc., used under license; SparkIT is a trademark of SPARC International, Inc. and is exclusively licensed to LSI Logic Corporation. All other brand and product names may be trademarks of their respective companies.

LSI Logic Corporation reserves the right to make changes to any products and services herein at any time without notice. LSI Logic does not assume any responsibility or liability arising out of the application or use of any product or service described herein, except as expressly agreed to in writing by LSI Logic; nor does the purchase, lease, or use of a product or service from LSI Logic convey a license under any patent rights, copyrights, trademark rights, or any other of the intellectual property rights of LSI Logic or of third parties.

©1999 by LSI Logic Corporation. All rights reserved.
An ISO 9001 Registered Company

Printed in the U.S.A.
T189731 0498

www.lsilogic.com

