

Model Number

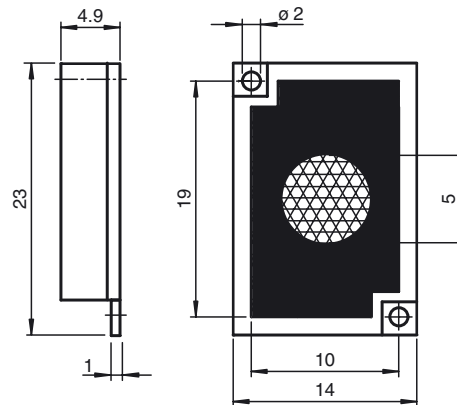
REF-MH23-2

Reflector with Micro-structure, rectangular 23 mm x 14 mm, diagonal mounting hole

Features

- Micro-structure
- Mounting holes for simple installation
- High switch point accuracy due to 5 mm aperture

Dimensions



Technical data

General specifications

Construction type	rectangular
Tripel height	approx. 0.9 mm

Ambient conditions

Ambient temperature	-20 ... 60 °C (-4 ... 140 °F)
---------------------	-------------------------------

Mechanical specifications

Material	PMMA/ABS
Dimensions	23 mm x 14 mm x 4.9 mm
Mounting	mounting holes