

Model Number

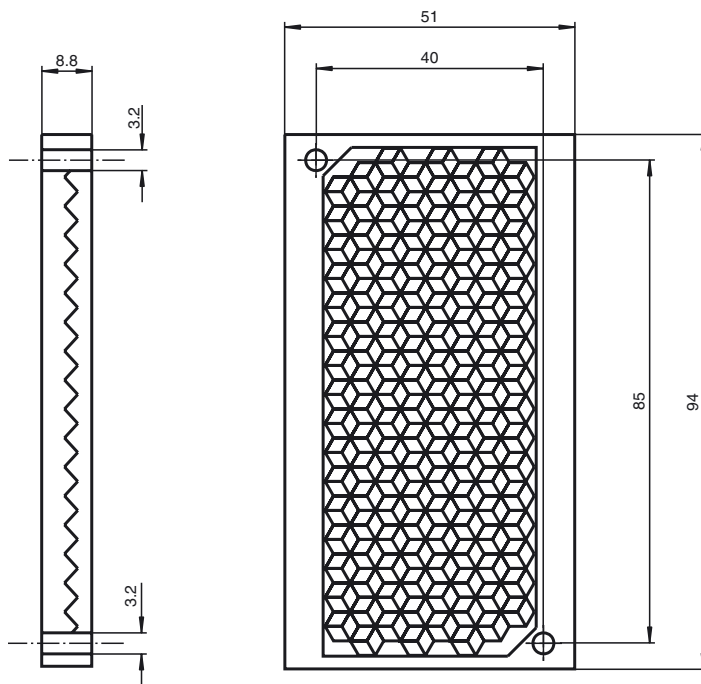
REF-H85HT

Reflector, rectangular 51 mm x 94 mm, mounting holes, high temperature resistant up to 500 °C

Features

- Specially resistant to scratching and knocks
- High temperature rated to 500 °C

Dimensions



Technical data

General specifications

Construction type rectangular

Ambient conditions

Ambient temperature -50 ... 500 °C (-58 ... 932 °F)

Mechanical specifications

Material Borosilicate glass
 Dimensions 51 mm x 94 mm
 Mounting mounting holes